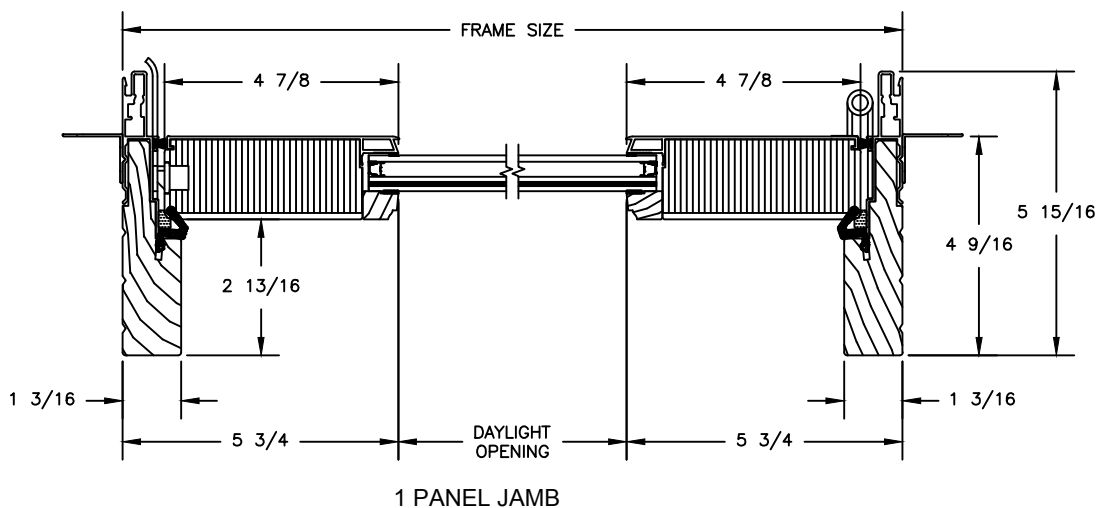
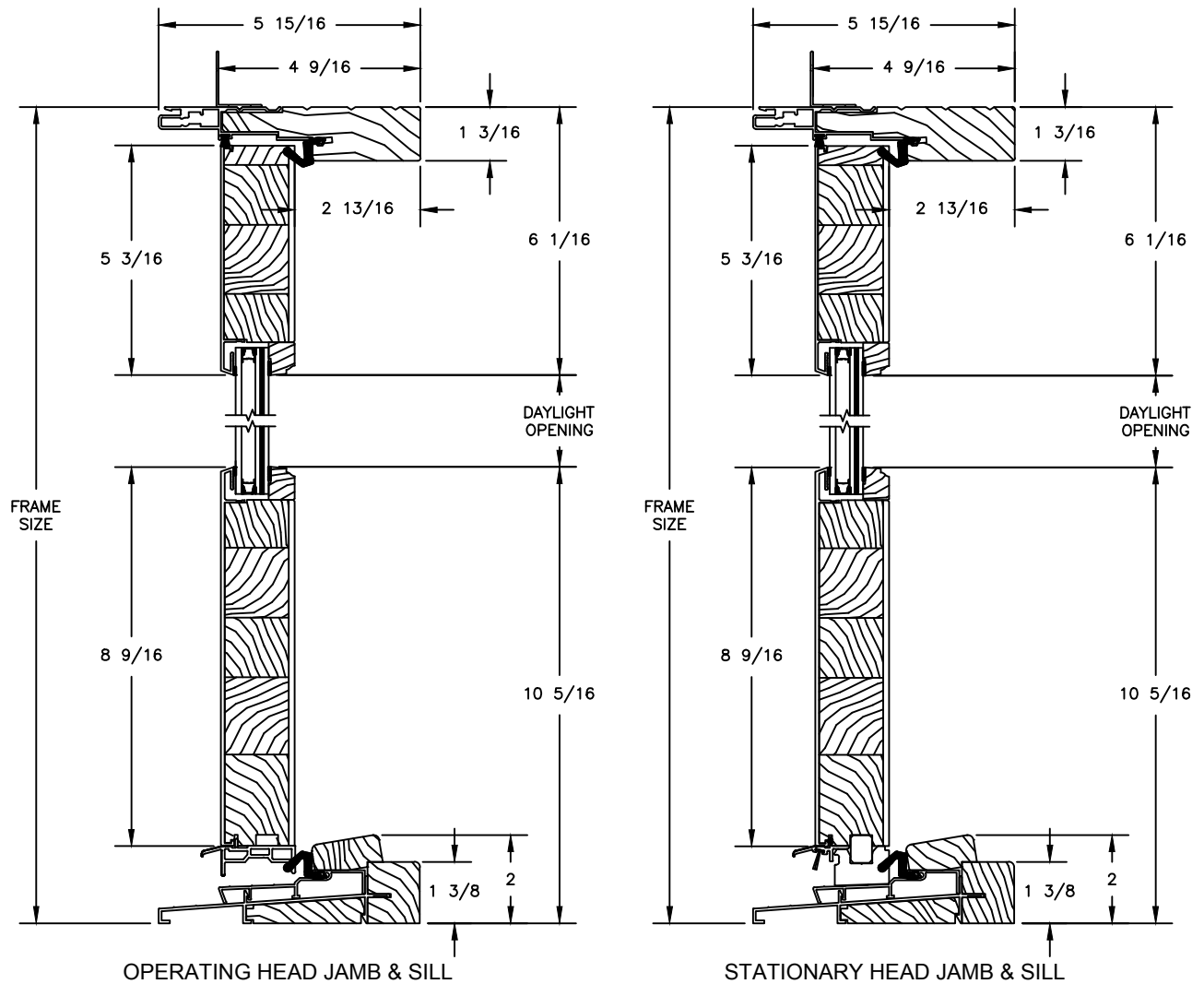


# Pinnacle Impact Series

## CLAD PATIO DOOR - OUTSWING

SECTION DETAILS  
 SCALE: 3" = 1'-0"

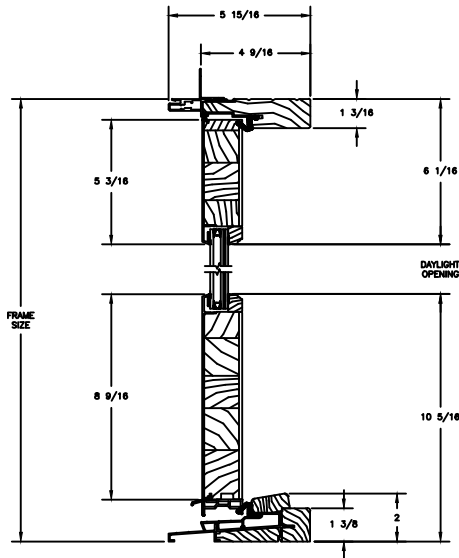


# Pinnacle Impact Series

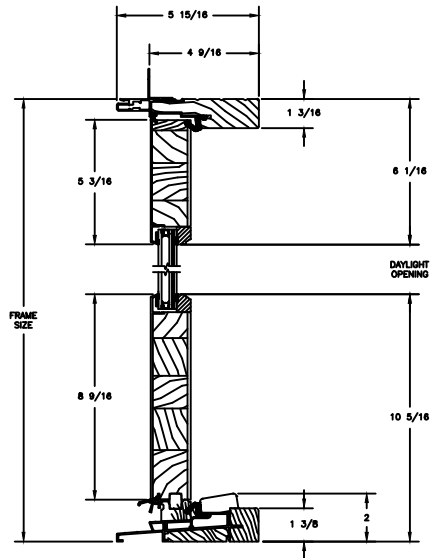
## CLAD PATIO DOOR - OUTSWING

SECTION DETAILS

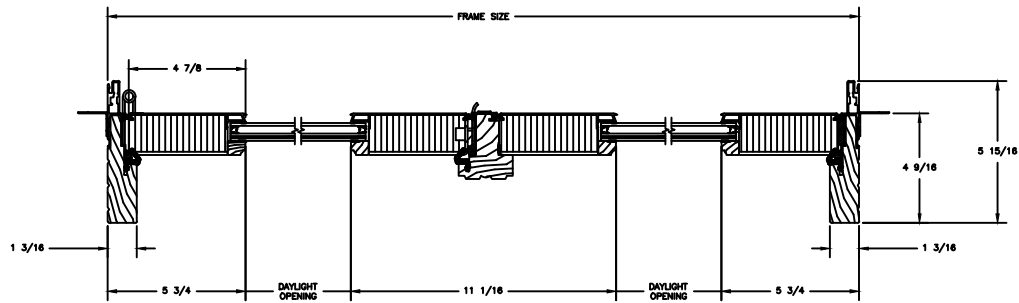
SCALE: 1 1/2" = 1'-0"



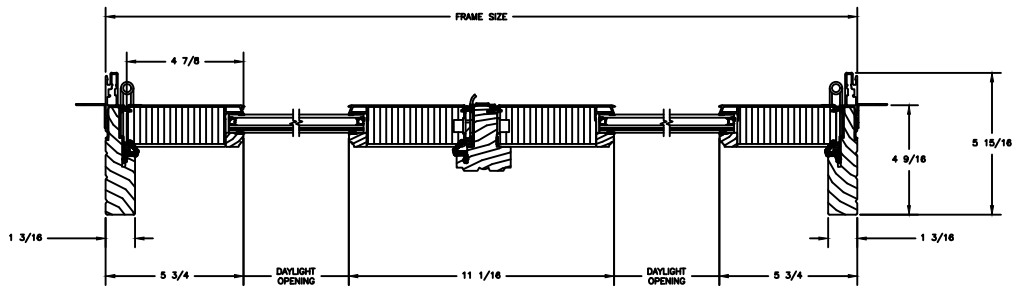
OPERATING HEAD JAMB & SILL



STATIONARY HEAD JAMB & SILL



2 PANEL JAMB



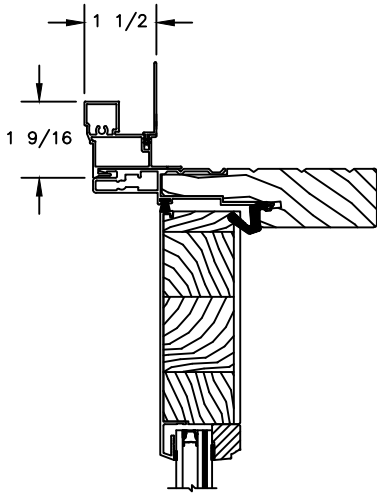
BI-HINGE JAMB

# Pinnacle Impact Series

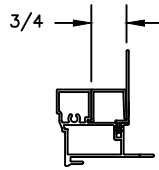
## CLAD PATIO DOOR - OUTSWING

SECTION DETAILS : CASING OPTIONS

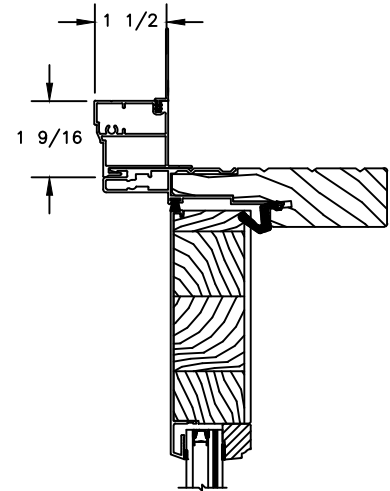
SCALE: 3" = 1'-0"



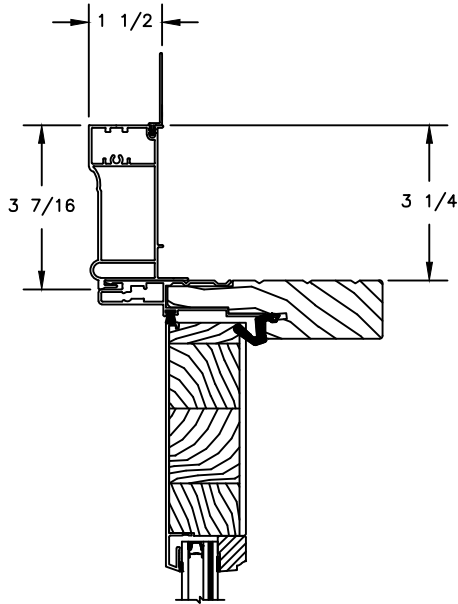
HEAD JAMB WITH  
CLAD BRICKMOULD CASING



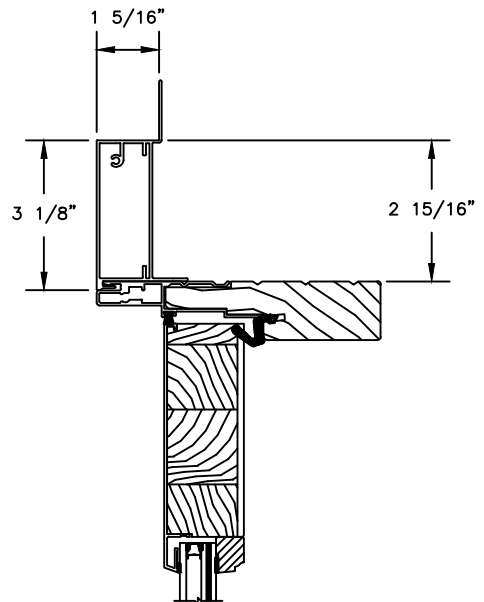
CLAD BRICKMOULD CASING  
WITH OPTIONAL J-CHANNEL COVER



HEAD JAMB WITH  
CLAD SQUARE BRICKMOULD CASING



HEAD JAMB WITH  
CLAD WILLIAMSBURG CASING



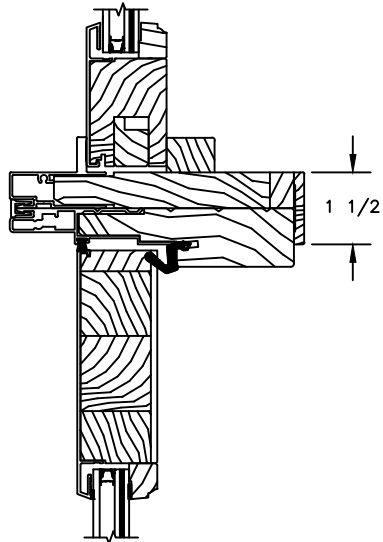
HEAD JAMB WITH  
3 1/2" CLAD FLAT CASING

# Pinnacle Impact Series

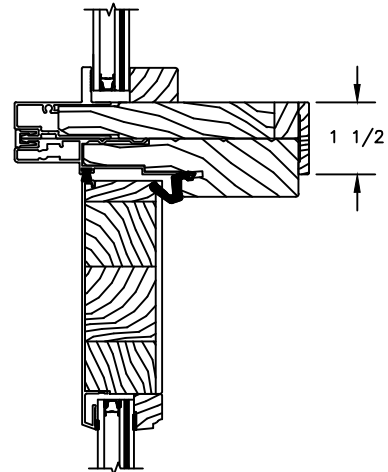
## CLAD PATIO DOOR - OUTSWING

SECTION DETAILS : MULLIONS

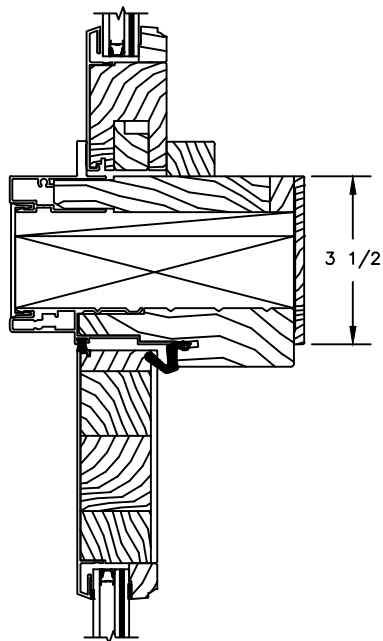
SCALE: 3" = 1'-0"



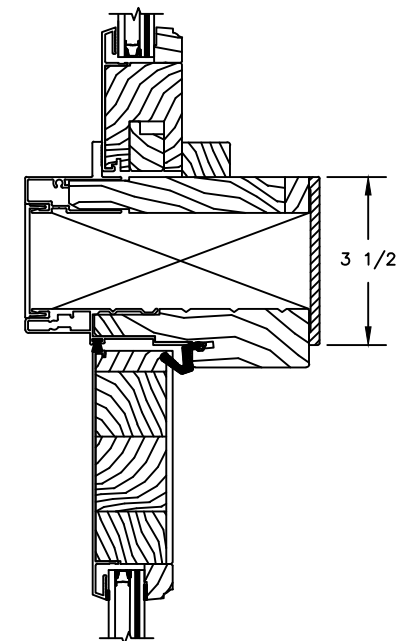
HORIZONTAL MULLION  
TRANSOM/OPERATOR



HORIZONTAL MULLION  
RADIUS/OPERATOR



2" STRUCTURAL MULLION BY OTHERS  
(REQUIRED WHEN MULLING TRANSOM OR  
RADIUS ABOVE A TWO PANEL DOOR)



HORIZONTAL MULLION WITH  
2" SPREAD MULL  
TRANSOM/OPERATOR  
ADDITIONAL WIDTHS INCLUDE:  
1", 2", 2 1/2", 3", & 4"




# Pinnacle Impact Series

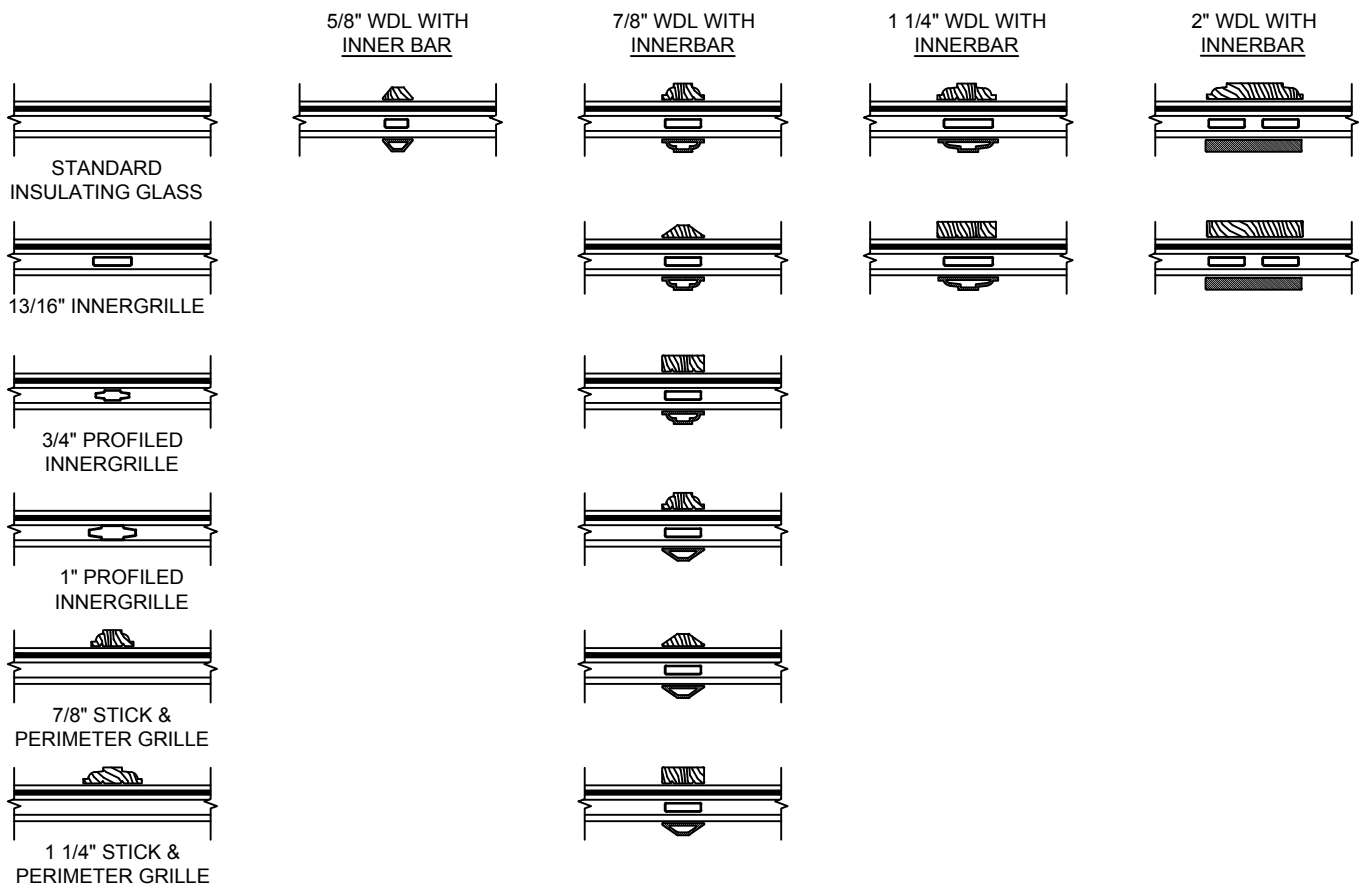
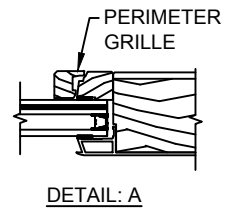
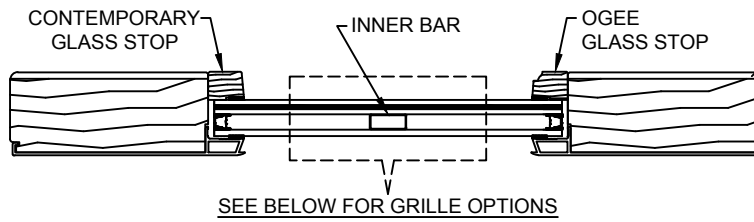
## CLAD PATIO DOOR

SECTION DETAILS : DIVIDED LITE OPTIONS

SCALE: 3" = 1'-0"

AVAILABLE STYLES

-  - PUTTY
-  - OGEE
-  - CONTEMPORARY



NOTE:

\* ALL WDL OPTIONS CAN BE ORDERED WITH OR WITHOUT INNER BAR

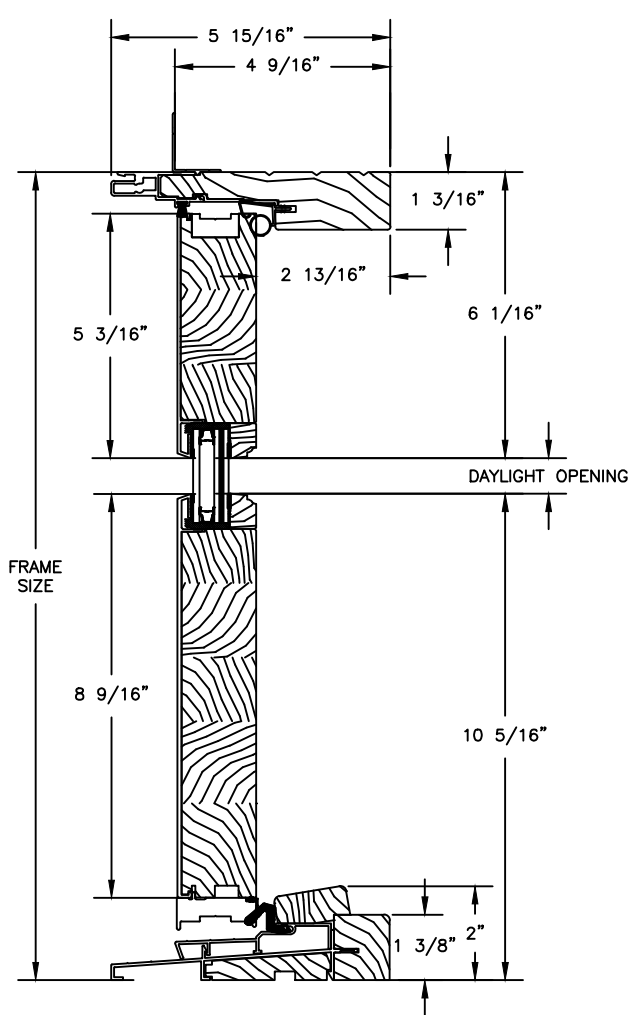
\* PERIMETER GRILLES ONLY AVAILABLE IN THE 7/8" AND 1 1/4" OGEE STYLE GLASS STOP (SEE DETAIL: A)

# Pinnacle Impact Series

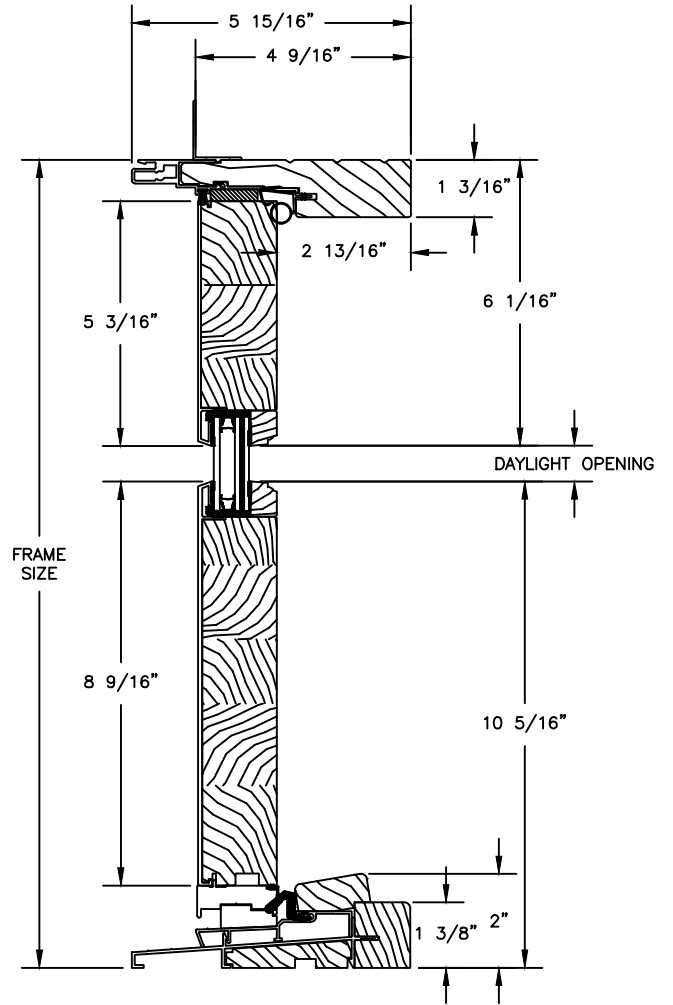
## CLAD PATIO DOOR - OUTSWING - HVHZ UPGRADE

### SECTION DETAILS

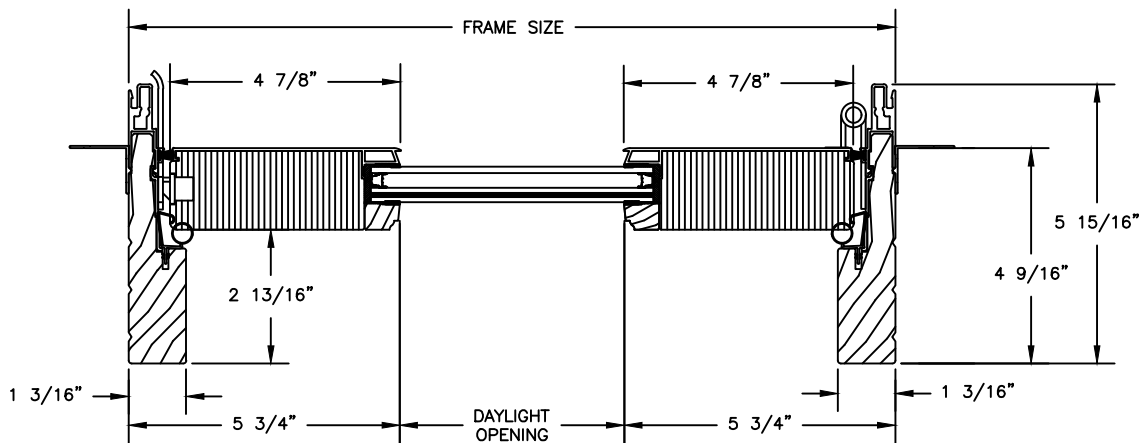
SCALE: 3" = 1'-0"



OPERATING HEAD JAMB & SILL



STATIONARY HEAD JAMB & SILL



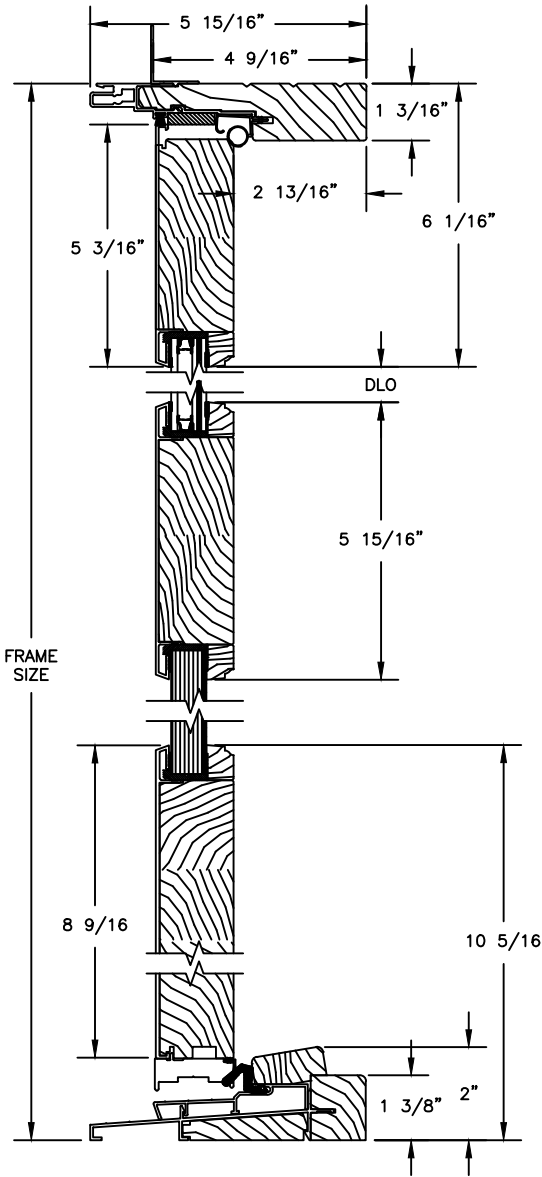
1 PANEL JAMB

# Pinnacle Impact Series

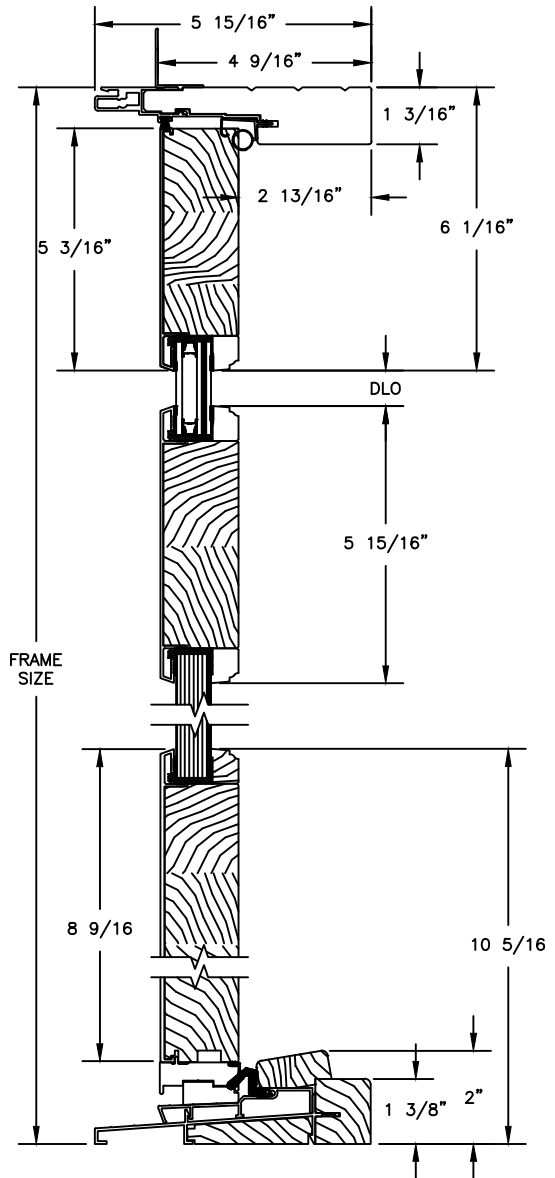
## CLAD PATIO DOOR - OUTSWING - HVHZ UPGRADE

SECTION DETAILS: 4 9/16" JAMB WITH 3/4 LITE FLAT PANEL

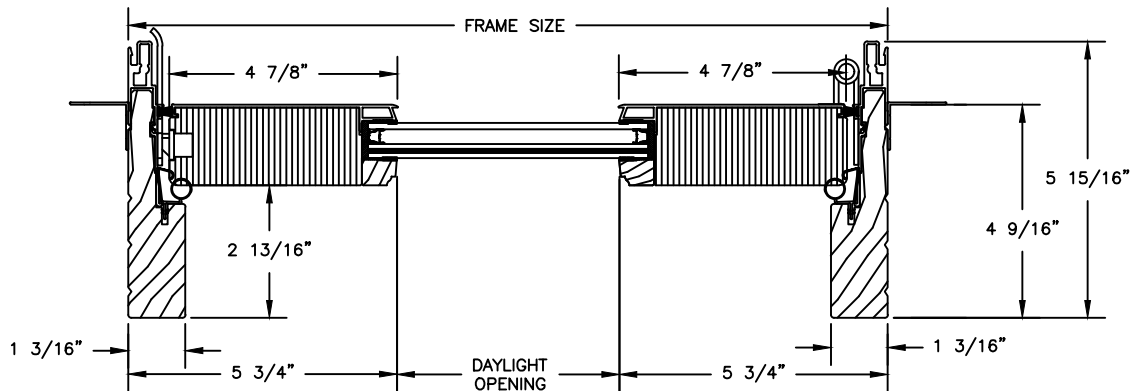
SCALE: 3" = 1'-0"



OPERATING HEAD JAMB & SILL



STATIONARY HEAD JAMB & SILL



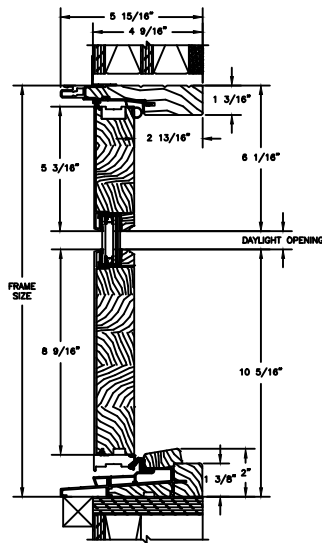
1 PANEL JAMB

# Pinnacle Impact Series

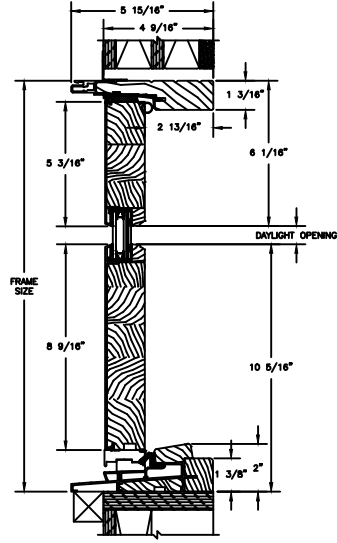
## CLAD PATIO DOOR - OUTSWING - HVHZ UPGRADE

SECTION DETAILS

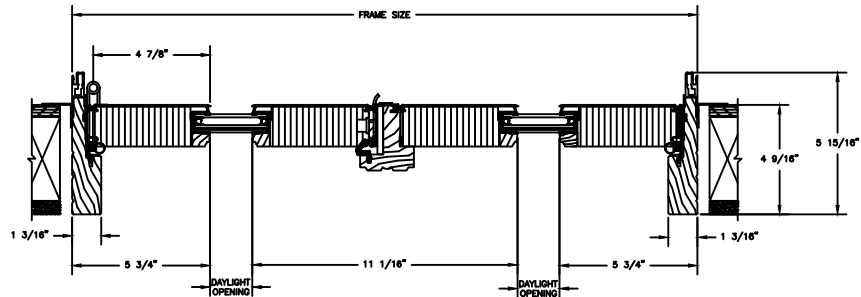
SCALE: 1 1/2" = 1'-0"



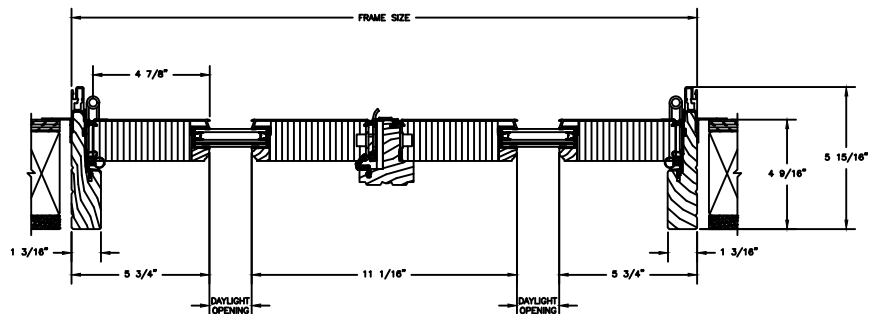
OPERATING HEAD JAMB & SILL



STATIONARY HEAD JAMB & SILL



2 PANEL JAMB



BI-HINGE JAMB