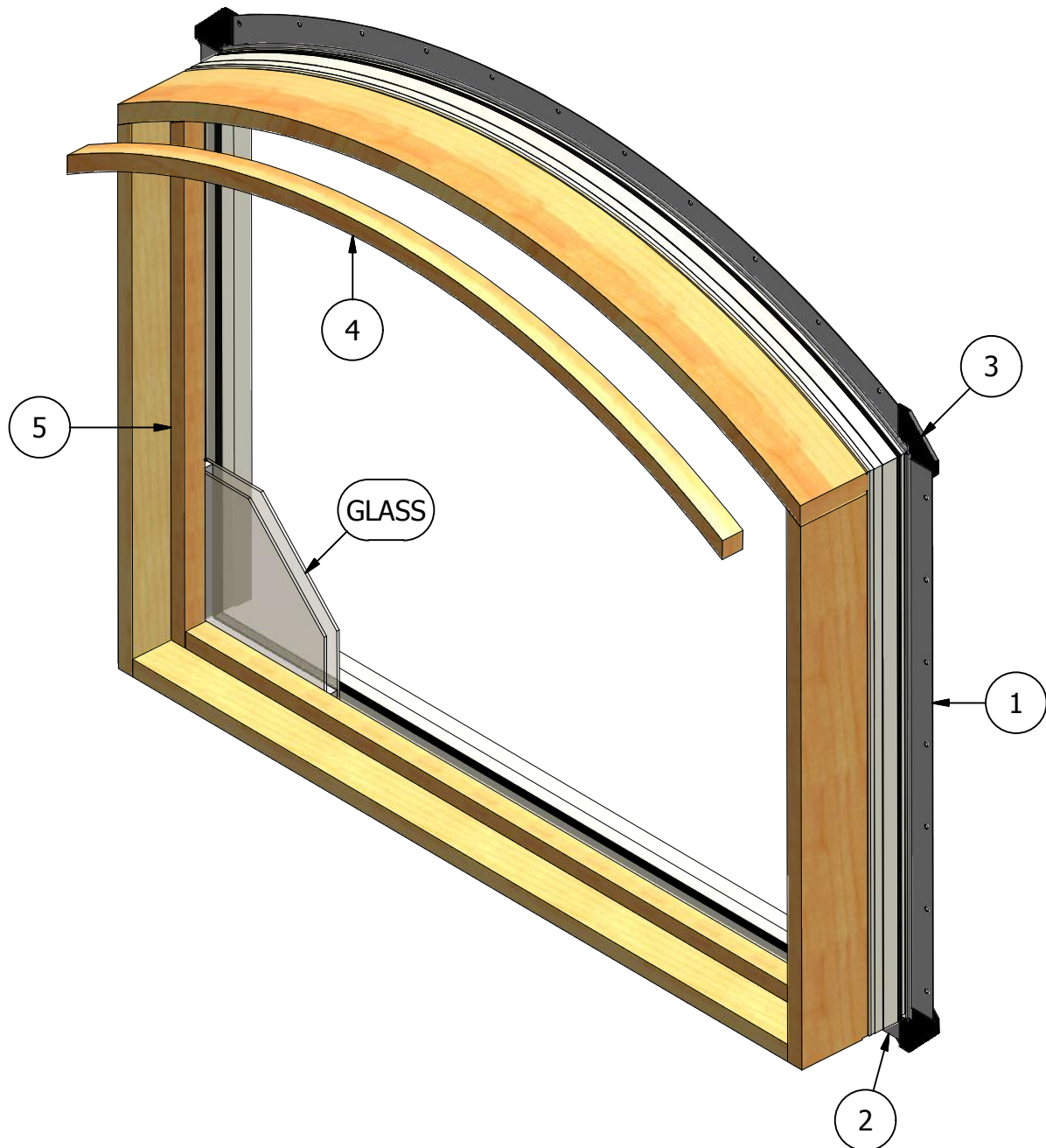




# Pinnacle Series

## Clad Radius & Low Profile Direct Set

### Parts Identification







# Pinnacle Series

## Clad Radius & Low Profile Direct Set

### Parts Identification

Image	Item #	Description	Color / Finish / Size	Spec	Old	New SAP
	1	Side Nail Fin - Slotted			460015	10053253
	2	Sill Nail Fin			460020	10053126
	3	Nail Fin Gasket	4 per Sheet		490013	10053171
	4	Radius Inside Stop			* See Note Below	* See Note Below
	5	Inside Stop (Sill & Sides)	16' Pine Lineal 8' Alder Lineal 10' Fir Lineal		2370474 2370474-A 2370474-F	10017310 10017311 10056886
		Glass Stop Tape 1/16" x 1/2" Double Faced	Black - 150' Roll		390531	10055523
 <small>*Not shown in assembly model</small>		Contemporary Inside Stop (Sill & Sides)	Radius 14' Pine Lineal Alder Lineal Fir Lineal		*See Note 773986 773986-A 773986-F	*See Note 10042379 10120252 10057831

\* When ordering replacement parts for radius units, include the following information:

Frame type (standard Pinnacle or 3 1/4" frame)

Frame base measured from base outside of frame to outside of frame

Frame height measured from outside of base to top of highs point of radius at head

If the unit has vertical legs, measure from base to top of leg where radius starts