

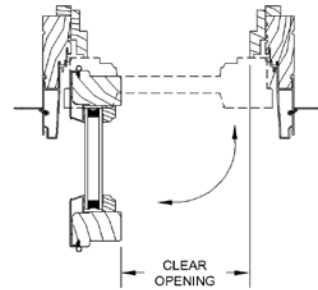
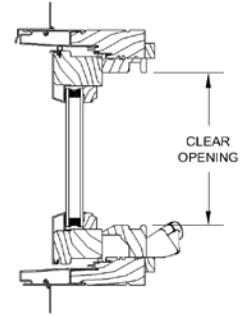


# Pinnacle Select Series

## CLAD CASEMENT - STANDARD SCREEN

### EGRESS, LITE, VENT & SCREEN MEASUREMENTS

Egress, Lite and Vent Measurements												
Casement												
Frame Size	Egress Width		Egress Height	Sq. Ft. Egress		Egress Code Compliance*			Sq. Ft. Vent	Sq. Ft. Daylite	Screen Size	
	Std. HRDW	Egress HRDW		Std. HRDW	Egress HRDW	U.S.		Canada			Width	Height
						5.0 ft <sup>2</sup>	5.7 ft <sup>2</sup>					
4224	33.25	35.80	19.41	4.48	4.83	-	-	S	5.14	4.31	38 11/16	19 3/4
4230	33.25	35.80	25.41	5.87	6.32	S	S	S	6.73	5.79	38 11/16	25 3/4
4236	33.25	35.80	31.41	7.25	7.81	S	S	S	8.31	7.27	38 11/16	31 3/4
4242	33.25	35.80	37.41	8.64	9.30	S	S	S	9.90	8.75	38 11/16	37 3/4
4248	33.25	35.80	43.41	10.02	10.79	S	S	S	11.49	10.23	38 11/16	43 3/4
4254	33.25	35.80	49.41	11.41	12.28	S	S	S	13.08	11.71	38 11/16	49 3/4
4260	33.25	35.80	55.41	12.79	13.78	S	S	S	14.67	13.19	38 11/16	55 3/4
4266	33.25	35.80	61.41	14.18	15.27	S	S	S	16.26	14.67	38 11/16	61 3/4



#### Egress Conversions

Standard Hardware	Width	Frame - 8.75"
	Height	Frame - 4.59"
Egress Hardware	Width	Frame - 6.20"
	Height	Frame - 4.59"

#### \* Egress Code Compliance Terminology

- E Meets Code with Egress Hardware Only
- S Meets Code with Standard Hardware
- Does Not Meet Code

Code Requirements	Min Width	Min Height	Min Area
U.S.	20"	24"	5.7
U.S. Grade Floor	20"	24"	5.0
Canada	15"	15"	3.77

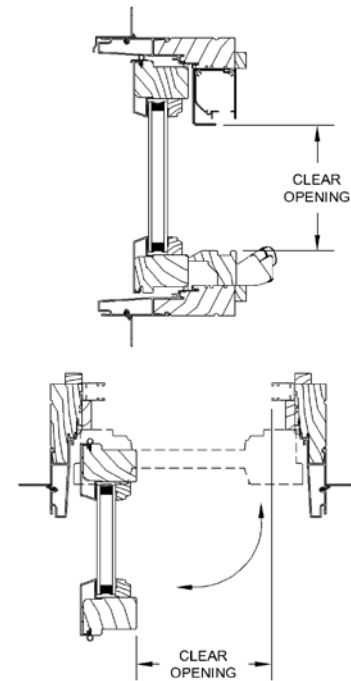


# Pinnacle Select Series

## CLAD CASEMENT - RETRACTABLE SCREEN

### EGRESS, LITE, VENT & SCREEN MEASUREMENTS

Egress, Lite and Vent Measurements												
Casement												
Frame Size	Egress Width		Egress Height	Sq. Ft. Egress		Egress Code			Sq. Ft. Vent	Sq. Ft. Daylite	Screen Size	
	Std. HRDW	Egress HRDW		Std. HRDW	Egress HRDW	U.S.		Canada			Width	Height
						5.0 ft <sup>2</sup>	5.7 ft <sup>2</sup>					
3630	26.70	29.25	23.91	4.43	4.86	-	-	S	5.09	4.75	32 11/16	23 15/16
3636	26.70	29.25	29.91	5.55	6.08	S	E	S	6.38	5.98	32 11/16	29 15/16
3642	26.70	29.25	35.91	6.66	7.29	S	S	S	7.67	7.20	32 11/16	35 15/16
3648	26.70	29.25	41.91	7.77	8.51	S	S	S	8.95	8.43	32 11/16	41 15/16
3654	26.70	29.25	47.91	8.88	9.73	S	S	S	10.24	9.66	32 11/16	47 15/16
3660	26.70	29.25	53.91	9.99	10.95	S	S	S	11.53	10.89	32 11/16	53 15/16
3666	26.70	29.25	59.91	11.11	12.17	S	S	S	12.82	12.12	32 11/16	59 15/16
3672	26.70	29.25	65.91	12.22	13.39	S	S	S	14.10	13.35	32 11/16	65 15/16
3678	26.70	29.25	71.91	13.33	14.61	S	S	S	15.39	14.58	32 11/16	71 15/16
4224	26.70	29.25	17.91	3.32	3.64	-	-	-	3.80	3.52	32 11/16	17 15/16
4230	26.70	29.25	23.91	4.43	4.86	-	-	S	5.09	4.75	32 11/16	23 15/16
4236	26.70	29.25	29.91	5.55	6.08	S	E	S	6.38	5.98	32 11/16	29 15/16
4242	26.70	29.25	35.91	6.66	7.29	S	S	S	7.67	7.20	32 11/16	35 15/16
4248	26.70	29.25	41.91	7.77	8.51	S	S	S	8.95	8.43	32 11/16	41 15/16
4254	26.70	29.25	47.91	8.88	9.73	S	S	S	10.24	9.66	32 11/16	47 15/16
4260	26.70	29.25	53.91	9.99	10.95	S	S	S	11.53	10.89	32 11/16	53 15/16
4266	26.70	29.25	59.91	11.11	12.17	S	S	S	12.82	12.12	32 11/16	59 15/16



#### Egress Conversions

Standard Hardware	Width	Frame - 9.305"
	Height	Frame - 6.086"
Egress Hardware	Width	Frame - 6.75"
	Height	Frame - 6.086"

#### \* Egress Code Compliance Terminology

- E Meets Code with Egress Hardware Only
- S Meets Code with Standard Hardware
- Does Not Meet Code

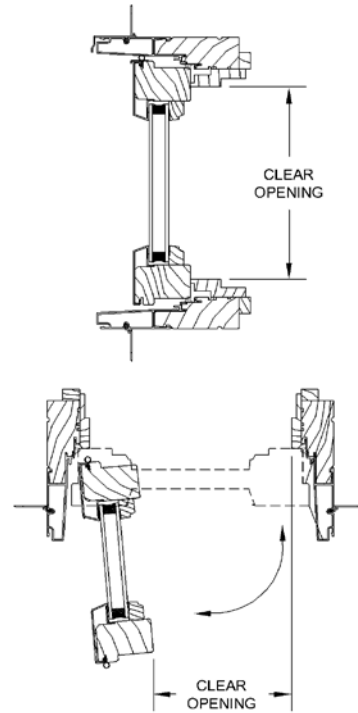
Code Requirements	Min Width	Min Height	Min Area
U.S.	20"	24"	5.7
U.S. Grade Floor	20"	24"	5.0
Canada	15"	15"	3.77

# Pinnacle Select Series

## CLAD CASEMENT PUSH-OUT (NO SCREEN)

### EGRESS, LITE, VENT & SCREEN MEASUREMENTS

Egress, Lite and Vent Measurements									
Casement									
Frame Size	Egress Width	Egress Height	Sq. Ft. Egress	Egress Code Compliance*			Sq. Ft. Vent	Sq. Ft. Daylite	
	Egress HRDW			Egress HRDW	U.S.				Canada
					5.0 ft <sup>2</sup>	5.7 ft <sup>2</sup>			
1824		20.13		-	-	-	2.06	1.66	
1830		26.13		-	-	-	2.68	2.19	
1836		32.13		-	-	-	3.29	2.72	
1842		38.13		-	-	-	3.91	3.25	
1848		44.13		-	-	-	4.52	3.79	
1854		50.13		-	-	-	5.13	4.32	
1860		56.13		-	-	-	5.75	4.85	
1866		62.13		-	-	-	6.36	5.38	
1872		68.13		-	-	-	6.98	5.91	
1878		74.13		-	-	-	7.59	6.44	
2024		20.13		-	-	-	2.34	1.92	
2030		26.13		-	-	-	3.04	2.54	
2036		32.13		-	-	-	3.74	3.15	
2042		38.13		-	-	-	4.43	3.76	
2048		44.13		-	-	-	5.13	4.38	
2054		50.13		-	-	-	5.83	4.99	
2060		56.13		-	-	-	6.53	5.61	
2066		62.13		-	-	-	7.23	6.22	
2072		68.13		-	-	-	7.92	6.84	
2078		74.13		-	-	-	8.62	7.45	
2424	15.59	20.13	2.18	-	-	-	2.90	2.44	
2430	15.59	26.13	2.83	-	-	-	3.76	3.22	
2436	15.59	32.13	3.48	-	-	-	4.63	4.00	
2442	15.59	38.13	4.13	-	-	E	5.49	4.79	
2448	15.59	44.13	4.78	-	-	E	6.36	5.57	
2454	15.59	50.13	5.43	-	-	E	7.22	6.35	
2460	15.59	56.13	6.07	-	-	E	8.09	7.13	
2466	15.59	62.13	6.72	-	-	E	8.95	7.91	
2472	15.59	68.13	7.37	-	-	E	9.82	8.69	
2478	15.59	74.13	8.02	-	-	E	10.68	9.47	
2824	19.20	20.13	2.68	-	-	-	3.46	2.96	
2830	19.20	26.13	3.48	-	-	-	4.49	3.91	
2836	19.20	32.13	4.28	-	-	E	5.52	4.86	
2842	19.20	38.13	5.08	-	-	E	6.55	5.81	
2848	19.20	44.13	5.88	-	-	E	7.58	6.75	
2854	19.20	50.13	6.68	-	-	E	8.62	7.70	
2860	19.20	56.13	7.48	-	-	E	9.65	8.65	
2866	19.20	62.13	8.28	-	-	E	10.68	9.60	
2872	19.20	68.13	9.08	-	-	E	11.71	10.55	
2878	19.20	74.13	9.88	-	-	E	12.74	11.49	
3024	21.01	20.13	2.94	-	-	-	3.74	3.22	
3030	21.01	26.13	3.81	-	-	E	4.85	4.25	
3036	21.01	32.13	4.69	-	-	E	5.97	5.29	
3042	21.01	38.13	5.56	E	-	E	7.08	6.32	
3048	21.01	44.13	6.44	E	E	E	8.20	7.35	
3054	21.01	50.13	7.31	E	E	E	9.31	8.38	
3060	21.01	56.13	8.19	E	E	E	10.43	9.41	
3066	21.01	62.13	9.06	E	E	E	11.54	10.44	
3072	21.01	68.13	9.94	E	E	E	12.66	11.47	
3078	21.01	74.13	10.82	E	E	E	13.78	12.50	
3624	26.44	20.13	3.69	-	-	-	4.58	4.00	
3630	26.44	26.13	4.80	-	-	E	5.94	5.29	
3636	26.44	32.13	5.90	E	E	E	7.31	6.57	
3642	26.44	38.13	7.00	E	E	E	8.67	7.85	
3648	26.44	44.13	8.10	E	E	E	10.04	9.13	
3654	26.44	50.13	9.20	E	E	E	11.40	10.41	
3660	26.44	56.13	10.30	E	E	E	12.76	11.69	
3666	26.44	62.13	11.40	E	E	E	14.13	12.97	
3672	26.44	68.13	12.51	E	E	E	15.49	14.25	
3678	26.44	74.13	13.61	E	E	E	16.85	15.53	



#### Egress Conversions

Standard Hardware	Width	Varies
		Height
Egress Hardware	Width	Varies
		Height

#### \* Egress Code Compliance Terminology

- E Meets Code with Egress Hardware Only
- S Meets Code with Standard Hardware
- Does Not Meet Code

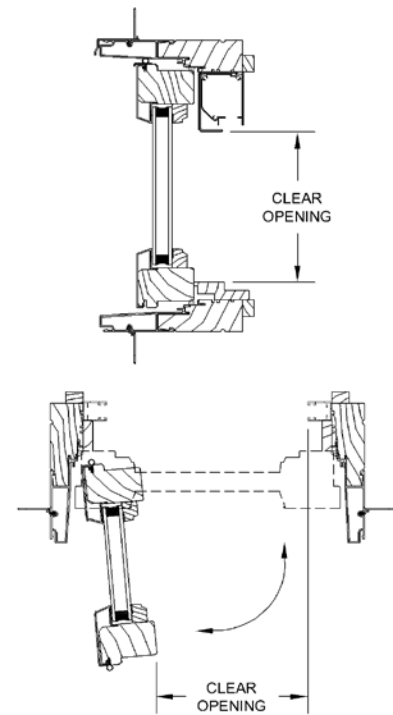
Code Requirements	Min Width	Min Height	Min Area
U.S.	20"	24"	5.7
U.S. Grade Floor	20"	24"	5.0
Canada	15"	15"	3.77

# Pinnacle Select Series

## CLAD CASEMENT PUSH-OUT (RETRACTABLE SCREEN)

### EGRESS, LITE, VENT & SCREEN MEASUREMENTS

Egress, Lite and Vent Measurements										
Casement										
Frame Size	Egress Width	Egress Height	Sq. Ft. Egress	Egress Code Compliance*			Sq. Ft. Vent	Sq. Ft. Daylite	Screen Size	
				Egress HRDW	U.S.				Canada	Width
	5.0 ft <sup>2</sup>	5.7 ft <sup>2</sup>								
1824		17.32		-	-	-	1.64	1.66	15 7/16	19
1830		23.32		-	-	-	2.21	2.19	15 7/16	25
1836		29.32		-	-	-	2.78	2.72	15 7/16	31
1842		35.32		-	-	-	3.35	3.25	15 7/16	37
1848		41.32		-	-	-	3.92	3.79	15 7/16	43
1854		47.32		-	-	-	4.49	4.32	15 7/16	49
1860		53.32		-	-	-	5.05	4.85	15 7/16	55
1866		59.32		-	-	-	5.62	5.38	15 7/16	61
1872		65.32		-	-	-	6.19	5.91	15 7/16	67
1878		71.32		-	-	-	6.76	6.44	15 7/16	73
2024		17.32		-	-	-	1.88	1.92	17 7/16	19
2030		23.32		-	-	-	2.53	2.54	17 7/16	25
2036		29.32		-	-	-	3.19	3.15	17 7/16	31
2042		35.32		-	-	-	3.84	3.76	17 7/16	37
2048		41.32		-	-	-	4.49	4.38	17 7/16	43
2054		47.32		-	-	-	5.14	4.99	17 7/16	49
2060		53.32		-	-	-	5.79	5.61	17 7/16	55
2066		59.32		-	-	-	6.45	6.22	17 7/16	61
2072		65.32		-	-	-	7.10	6.84	17 7/16	67
2078		71.32		-	-	-	7.75	7.45	17 7/16	73
2424	15.09	17.32	1.82	-	-	-	2.36	2.44	21 7/16	19
2430	15.09	23.32	2.44	-	-	-	3.18	3.22	21 7/16	25
2436	15.09	29.32	3.07	-	-	-	4.00	4.00	21 7/16	31
2442	15.09	35.32	3.70	-	-	-	4.82	4.79	21 7/16	37
2448	15.09	41.32	4.33	-	-	E	5.64	5.57	21 7/16	43
2454	15.09	47.32	4.96	-	-	E	6.46	6.35	21 7/16	49
2460	15.09	53.32	5.59	-	-	E	7.28	7.13	21 7/16	55
2466	15.09	59.32	6.22	-	-	E	8.09	7.91	21 7/16	61
2472	15.09	65.32	6.85	-	-	E	8.91	8.69	21 7/16	67
2478	15.09	71.32	7.48	-	-	E	9.73	9.47	21 7/16	73
2824	18.71	17.32	2.25	-	-	-	2.84	2.96	25 7/16	19
2830	18.71	23.32	3.03	-	-	-	3.83	3.91	25 7/16	25
2836	18.71	29.32	3.81	-	-	E	4.82	4.86	25 7/16	31
2842	18.71	35.32	4.59	-	-	E	5.80	5.81	25 7/16	37
2848	18.71	41.32	5.37	-	-	E	6.79	6.75	25 7/16	43
2854	18.71	47.32	6.15	-	-	E	7.77	7.70	25 7/16	49
2860	18.71	53.32	6.93	-	-	E	8.76	8.65	25 7/16	55
2866	18.71	59.32	7.71	-	-	E	9.74	9.60	25 7/16	61
2872	18.71	65.32	8.49	-	-	E	10.73	10.55	25 7/16	67
2878	18.71	71.32	9.27	-	-	E	11.71	11.49	25 7/16	73
3024	20.52	17.32	2.47	-	-	-	3.09	3.22	27 7/16	19
3030	20.52	23.32	3.32	-	-	-	4.15	4.25	27 7/16	25
3036	20.52	29.32	4.18	-	-	E	5.22	5.29	27 7/16	31
3042	20.52	35.32	5.03	E	-	E	6.29	6.32	27 7/16	37
3048	20.52	41.32	5.89	E	E	E	7.36	7.35	27 7/16	43
3054	20.52	47.32	6.74	E	E	E	8.43	8.38	27 7/16	49
3060	20.52	53.32	7.60	E	E	E	9.50	9.41	27 7/16	55
3066	20.52	59.32	8.45	E	E	E	10.57	10.44	27 7/16	61
3072	20.52	65.32	9.31	E	E	E	11.64	11.47	27 7/16	67
3078	20.52	71.32	10.16	E	E	E	12.71	12.50	27 7/16	73
3624	25.94	17.32	3.12	-	-	-	3.81	4.00	33 7/16	19
3630	25.94	23.32	4.20	-	-	E	5.13	5.29	33 7/16	25
3636	25.94	29.32	5.28	E	-	E	6.44	6.57	33 7/16	31
3642	25.94	35.32	6.36	E	E	E	7.76	7.85	33 7/16	37
3648	25.94	41.32	7.44	E	E	E	9.08	9.13	33 7/16	43
3654	25.94	47.32	8.53	E	E	E	10.40	10.41	33 7/16	49
3660	25.94	53.32	9.61	E	E	E	11.72	11.69	33 7/16	55
3666	25.94	59.32	10.69	E	E	E	13.04	12.97	33 7/16	61
3672	25.94	65.32	11.77	E	E	E	14.36	14.25	33 7/16	67
3678	25.94	71.32	12.85	E	E	E	15.68	15.53	33 7/16	73



#### Egress Conversions

Standard Hardware	Width	Varies
	Height	Frame - 6.680"
Egress Hardware	Width	Varies
	Height	Frame - 6.680"

#### \* Egress Code Compliance Terminology

- E** Meets Code with Egress Hardware Only
- S** Meets Code with Standard Hardware
- Does Not Meet Code

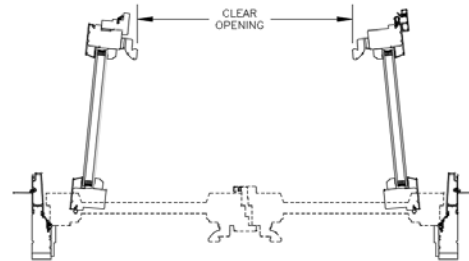
Code Requirements	Min Width	Min Height	Min Area
U.S.	20"	24"	5.7
U.S. Grade Floor	20"	24"	5.0
Canada	15"	15"	3.77

# Pinnacle Select Series

## CLAD FRENCH CASEMENT PUSH-OUT (NO SCREEN)

### EGRESS, LITE, VENT & SCREEN MEASUREMENTS

Egress, Lite and Vent Measurements								
Casement								
Frame Size	Egress Width		Sq. Ft. Egress	Egress Code Compliance*			Sq. Ft. Vent	Sq. Ft. Daylite
	Egress HRDW	Egress Height		U.S.		Canada		
				5.0 ft <sup>2</sup>	5.7 ft <sup>2</sup>			
3624	21.39	20.13	2.99	-	-	-	2.06	1.48
3630	21.39	26.13	3.88	-	-	E	2.68	1.99
3636	21.39	32.13	4.77	-	-	E	3.29	2.50
3642	21.39	38.13	5.66	E	-	E	3.91	3.01
3648	21.39	44.13	6.55	E	E	E	4.52	3.52
3654	21.39	50.13	7.44	E	E	E	5.13	4.03
3660	21.39	56.13	8.34	E	E	E	5.75	4.54
3666	21.39	62.13	9.23	E	E	E	6.36	5.05
3672	21.39	68.13	10.12	E	E	E	6.98	5.56
4024	24.99	20.13	3.49	-	-	-	2.34	1.73
4030	24.99	26.13	4.53	-	-	E	3.04	2.32
4036	24.99	32.13	5.57	E	-	E	3.74	2.91
4042	24.99	38.13	6.62	E	E	E	4.43	3.51
4048	24.99	44.13	7.66	E	E	E	5.13	4.10
4054	24.99	50.13	8.70	E	E	E	5.83	4.69
4060	24.99	56.13	9.74	E	E	E	6.53	5.28
4066	24.99	62.13	10.78	E	E	E	7.23	5.88
4072	24.99	68.13	11.82	E	E	E	7.92	6.47
4824	32.24	20.13	4.51	-	-	E	2.90	2.21
4830	32.24	26.13	5.85	E	E	E	3.76	2.97
4836	32.24	32.13	7.19	E	E	E	4.63	3.73
4842	32.24	38.13	8.53	E	E	E	5.49	4.49
4848	32.24	44.13	9.88	E	E	E	6.36	5.25
4854	32.24	50.13	11.22	E	E	E	7.22	6.01
4860	32.24	56.13	12.56	E	E	E	8.09	6.77
4866	32.24	62.13	13.91	E	E	E	8.95	7.53
4872	32.24	68.13	15.25	E	E	E	9.82	8.29
5624	39.47	20.13	5.52	-	-	E	3.46	2.70
5630	39.47	26.13	7.16	E	E	E	4.49	3.63
5636	39.47	32.13	8.81	E	E	E	5.52	4.55
5642	39.47	38.13	10.45	E	E	E	6.55	5.48
5648	39.47	44.13	12.09	E	E	E	7.58	6.40
5654	39.47	50.13	13.74	E	E	E	8.62	7.33
5660	39.47	56.13	15.38	E	E	E	9.65	8.25
5666	39.47	62.13	17.03	E	E	E	10.68	9.18
5672	39.47	68.13	18.67	E	E	E	11.71	10.11
6024	43.09	20.13	6.02	-	-	E	3.74	2.94
6030	43.09	26.13	7.82	E	E	E	4.85	3.95
6036	43.09	32.13	9.61	E	E	E	5.97	4.96
6042	43.09	38.13	11.41	E	E	E	7.08	5.97
6048	43.09	44.13	13.20	E	E	E	8.20	6.98
6054	43.09	50.13	15.00	E	E	E	9.31	7.99
6060	43.09	56.13	16.79	E	E	E	10.43	9.00
6066	43.09	62.13	18.59	E	E	E	11.54	10.01
6072	43.09	68.13	20.38	E	E	E	12.66	11.02



#### Egress Conversions

Standard Hardware	Width	Varies
	Height	Frame - 3.875"
Egress Hardware	Width	Varies
	Height	Frame - 3.875"

#### \* Egress Code Compliance Terminology

(Note: Egress Hardware is applied by default for French Casement)

- E** Meets Code with Egress Hardware Only
- S** Meets Code with Standard Hardware
- Does Not Meet Code

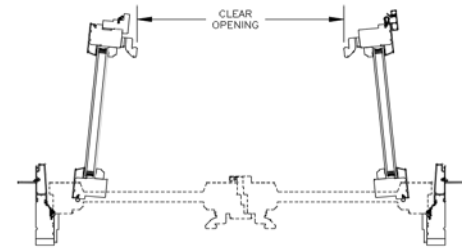
Code Requirements	Min Width	Min Height	Min Area
U.S.	20"	24"	5.7
U.S. Grade Floor	20"	24"	5.0
Canada	15"	15"	3.77

# Pinnacle Select Series

## CLAD FRENCH CASEMENT PUSH-OUT (RETRACTABLE SCREEN)

### EGRESS, LITE, VENT & SCREEN MEASUREMENTS

Egress, Lite and Vent Measurements										
Casement										
Frame Size	Egress Width	Egress Height	Sq. Ft. Egress	Egress Code Compliance*			Sq. Ft. Vent	Sq. Ft. Daylite	Screen Size	
				U.S.		Canada			Width	Height
	Egress HRDW	Egress HRDW	5.0 ft <sup>2</sup>	5.7 ft <sup>2</sup>						
3624	21.39	17.32	2.57	-	-	-	4.06	1.48	33 7/16	19
3630	21.39	23.32	3.46	-	-	-	5.38	1.99	33 7/16	25
3636	21.39	29.32	4.35	-	-	E	6.70	2.50	33 7/16	31
3642	21.39	35.32	5.25	E	-	E	8.02	3.01	33 7/16	37
3648	21.39	41.32	6.14	E	E	E	9.34	3.52	33 7/16	43
3654	21.39	47.32	7.03	E	E	E	10.65	4.03	33 7/16	49
3660	21.39	53.32	7.92	E	E	E	11.97	4.54	33 7/16	55
3666	21.39	59.32	8.81	E	E	E	13.29	5.05	33 7/16	61
3672	21.39	65.32	9.70	E	E	E	14.61	5.56	33 7/16	67
4024	24.99	17.32	3.01	-	-	-	4.57	1.73	37 7/16	19
4030	24.99	23.32	4.05	-	-	E	6.06	2.32	37 7/16	25
4036	24.99	29.32	5.09	E	-	E	7.54	2.91	37 7/16	31
4042	24.99	35.32	6.13	E	E	E	9.03	3.51	37 7/16	37
4048	24.99	41.32	7.17	E	E	E	10.52	4.10	37 7/16	43
4054	24.99	47.32	8.21	E	E	E	12.00	4.69	37 7/16	49
4060	24.99	53.32	9.25	E	E	E	13.49	5.28	37 7/16	55
4066	24.99	59.32	10.29	E	E	E	14.97	5.88	37 7/16	61
4072	24.99	65.32	11.33	E	E	E	16.46	6.47	37 7/16	67
4824	32.24	17.32	3.88	-	-	E	5.60	2.21	45 7/16	19
4830	32.24	23.32	5.22	-	-	E	7.42	2.97	45 7/16	25
4836	32.24	29.32	6.56	E	E	E	9.24	3.73	45 7/16	31
4842	32.24	35.32	7.91	E	E	E	11.06	4.49	45 7/16	37
4848	32.24	41.32	9.25	E	E	E	12.88	5.25	45 7/16	43
4854	32.24	47.32	10.59	E	E	E	14.69	6.01	45 7/16	49
4860	32.24	53.32	11.94	E	E	E	16.51	6.77	45 7/16	55
4866	32.24	59.32	13.28	E	E	E	18.33	7.53	45 7/16	61
4872	32.24	65.32	14.62	E	E	E	20.15	8.29	45 7/16	67
5624	39.47	17.32	4.75	-	-	E	6.63	2.70	53 7/16	19
5630	39.47	23.32	6.39	-	-	E	8.78	3.63	53 7/16	25
5636	39.47	29.32	8.04	E	E	E	10.93	4.55	53 7/16	31
5642	39.47	35.32	9.68	E	E	E	13.08	5.48	53 7/16	37
5648	39.47	41.32	11.33	E	E	E	15.24	6.40	53 7/16	43
5654	39.47	47.32	12.97	E	E	E	17.39	7.33	53 7/16	49
5660	39.47	53.32	14.61	E	E	E	19.54	8.25	53 7/16	55
5666	39.47	59.32	16.26	E	E	E	21.69	9.18	53 7/16	61
5672	39.47	65.32	17.90	E	E	E	23.84	10.11	53 7/16	67
6024	43.09	17.32	5.18	-	-	E	7.14	2.94	57 7/16	19
6030	43.09	23.32	6.98	-	-	E	9.46	3.95	57 7/16	25
6036	43.09	29.32	8.77	E	E	E	11.78	4.96	57 7/16	31
6042	43.09	35.32	10.57	E	E	E	14.10	5.97	57 7/16	37
6048	43.09	41.32	12.36	E	E	E	16.42	6.98	57 7/16	43
6054	43.09	47.32	14.16	E	E	E	18.73	7.99	57 7/16	49
6060	43.09	53.32	15.95	E	E	E	21.05	9.00	57 7/16	55
6066	43.09	59.32	17.75	E	E	E	23.37	10.01	57 7/16	61
6072	43.09	65.32	19.54	E	E	E	25.69	11.02	57 7/16	67



#### Egress Conversions

Standard Hardware	Width	Varies
	Height	Frame - 6.680"
Egress Hardware	Width	Varies
	Height	Frame - 6.680"

#### \* Egress Code Compliance Terminology

(Note: Egress Hardware is applied by default for French Casement)

- E Meets Code with Egress Hardware Only
- S Meets Code with Standard Hardware
- Does Not Meet Code

Code Requirements	Min Width	Min Height	Min Area
U.S.	20"	24"	5.7
U.S. Grade Floor	20"	24"	5.0
Canada	15"	15"	3.77