

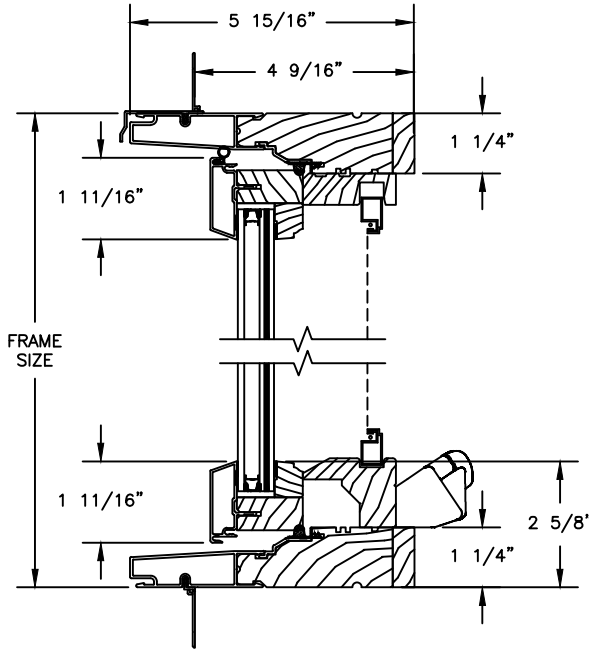
Pinnacle Impact Series

CLAD CASEMENT

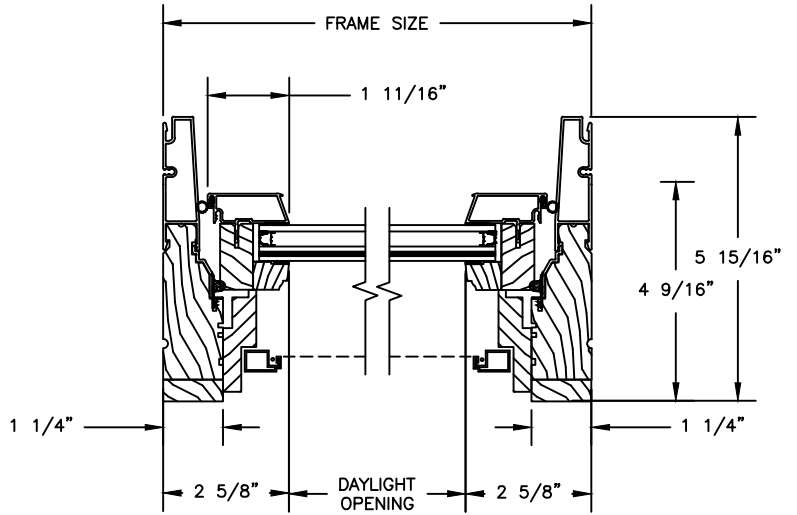
SECTION DETAILS : OPERATING / STATIONARY

SCALE: 3" = 1'-0"

OPERATING

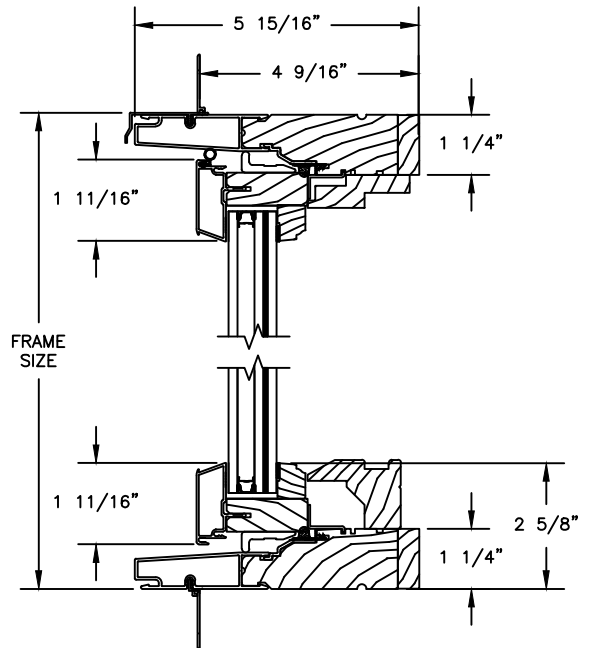


HEAD JAMB & SILL

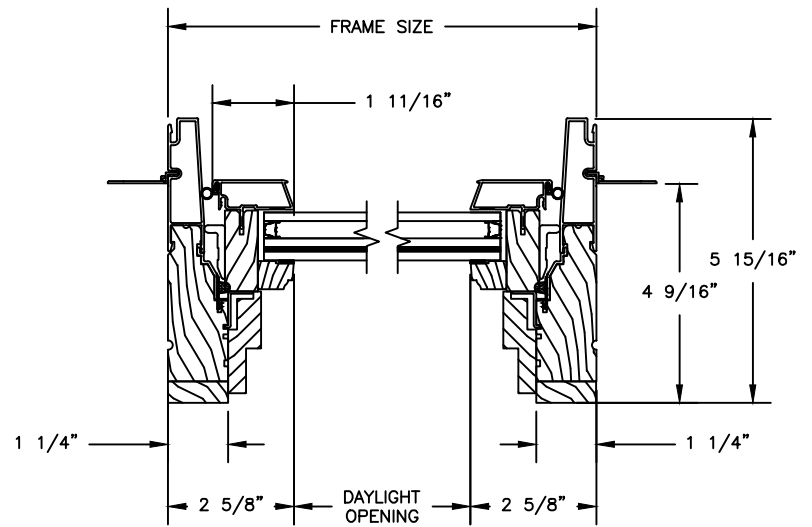


JAMBS

STATIONARY



HEAD JAMB & SILL



JAMBS

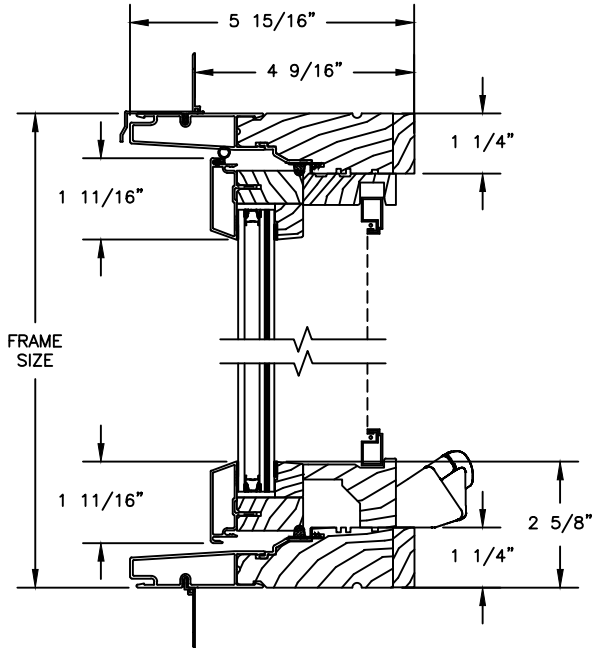
Pinnacle Impact Series

CLAD CASEMENT

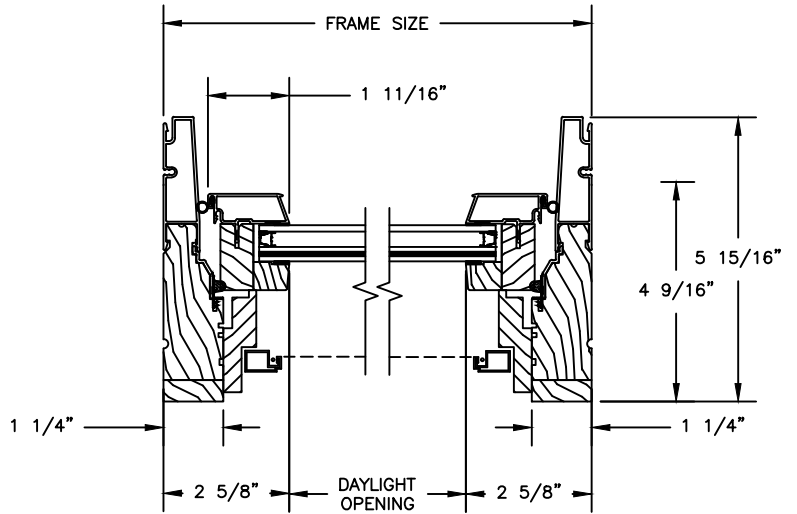
SECTION DETAILS : OPERATING / STATIONARY WITH CONTEMPORARY STOPS

SCALE: 3" = 1'-0"

OPERATING

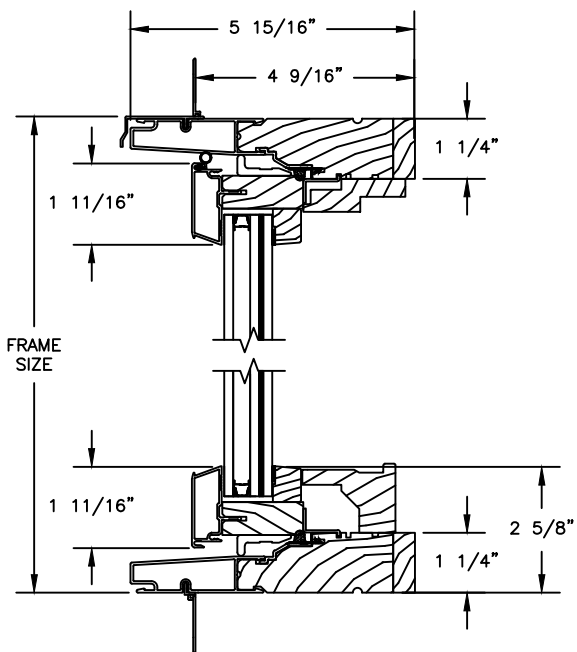


HEAD JAMB & SILL

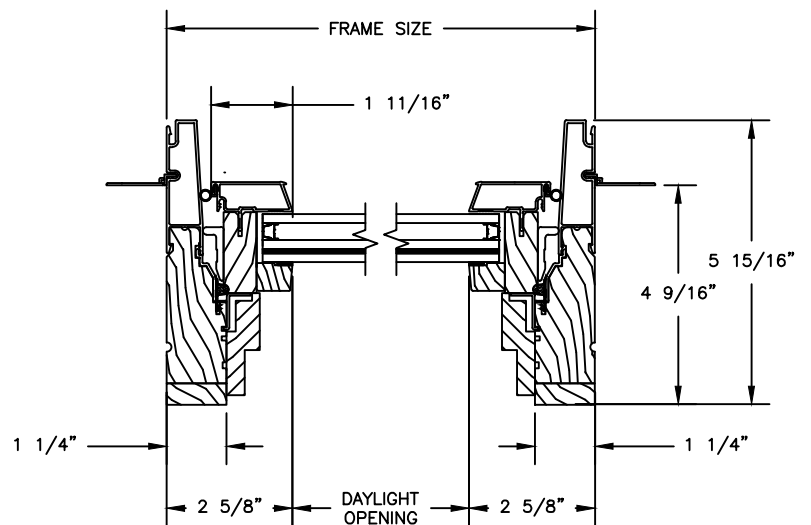


JAMBS

STATIONARY



HEAD JAMB & SILL



JAMBS

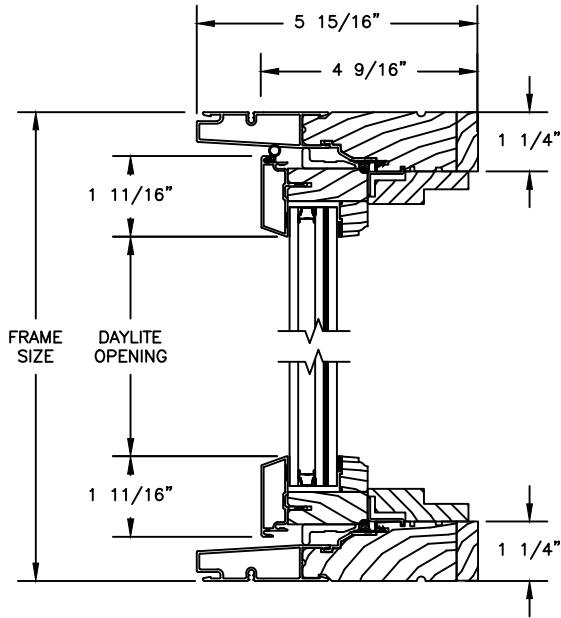
Pinnacle Impact Series

CLAD CASEMENT

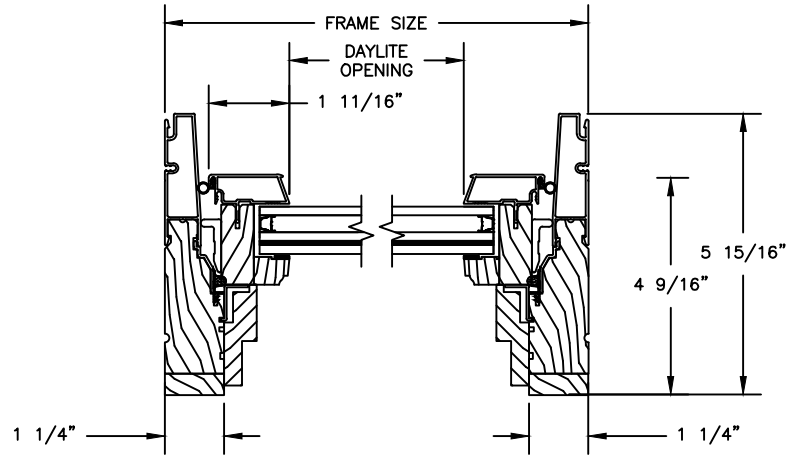
SECTION DETAILS : PICTURE

SCALE: 3" = 1'-0"

PICTURE (1" IG)



HEAD JAMB & SILL



JAMBS

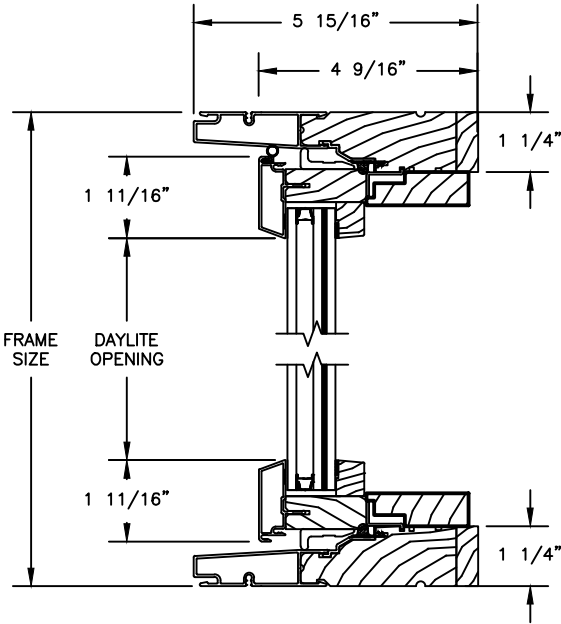
Pinnacle Impact Series

CLAD CASEMENT

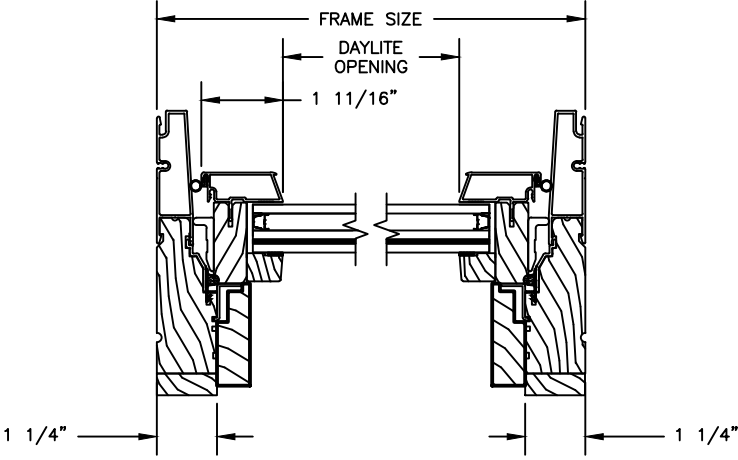
SECTION DETAILS : PICTURE WITH CONTEMPORARY STOPS

SCALE: 3" = 1'-0"

PICTURE (1" IG)



HEAD JAMB & SILL



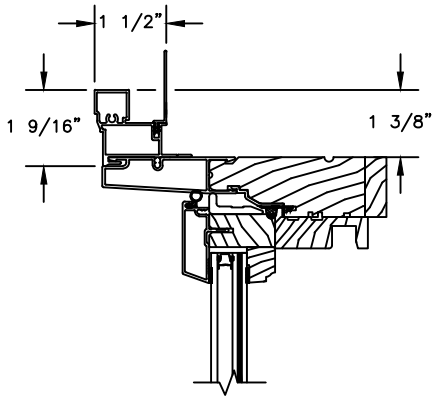
JAMBS

Pinnacle Impact Series

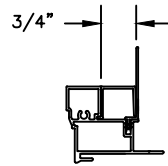
CLAD CASEMENT

SECTION DETAILS : CASING OPTIONS

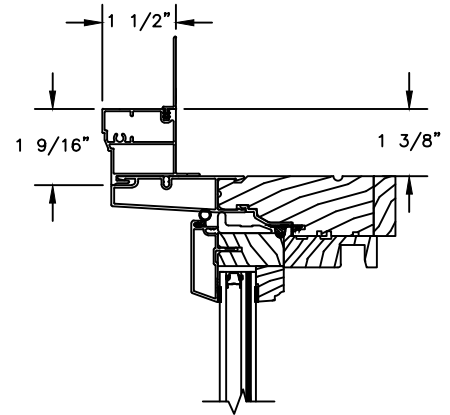
SCALE: 3" = 1'-0"



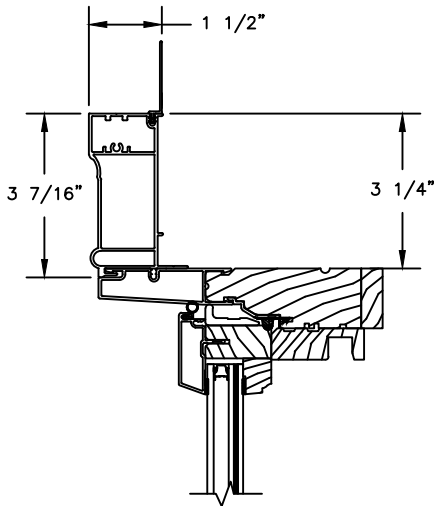
HEAD JAMB WITH
CLAD 180 BRICKMOULD CASING



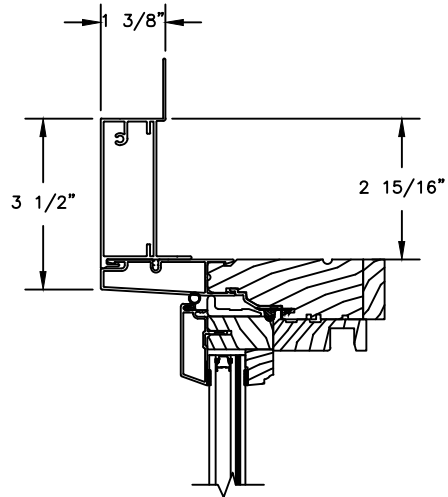
CLAD BRICKMOULD CASING
WITH OPTIONAL J-CHANNEL COVER



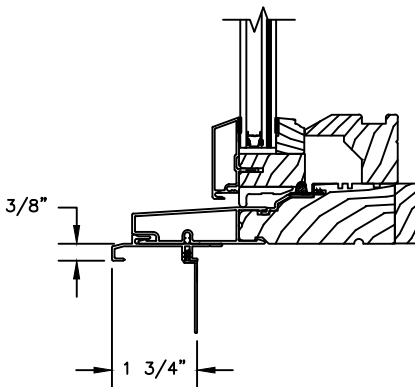
HEAD JAMB WITH
CLAD SQUARE BRICKMOULD CASING



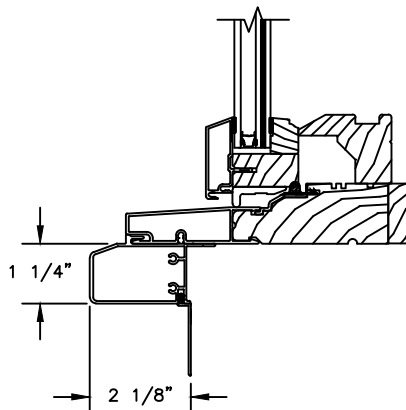
HEAD JAMB WITH
CLAD WILLIAMSBURG CASING



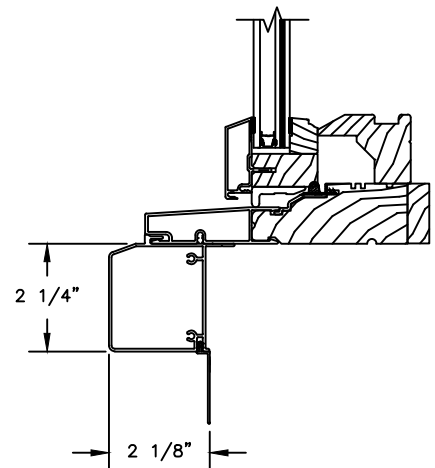
HEAD JAMB WITH
3 1/2" CLAD FLAT CASING



SILL WITH
8/21/20 3/8" CLAD SUBSILL



SILL WITH
1 1/4" CLAD SUBSILL



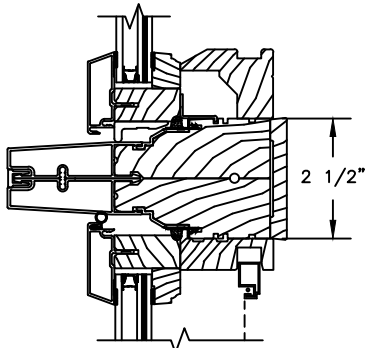
SILL WITH
2 1/4" CLAD SUBSILL

Pinnacle Impact Series

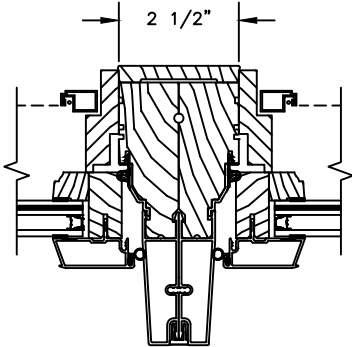
CLAD CASEMENT

SECTION DETAILS : MULLIONS

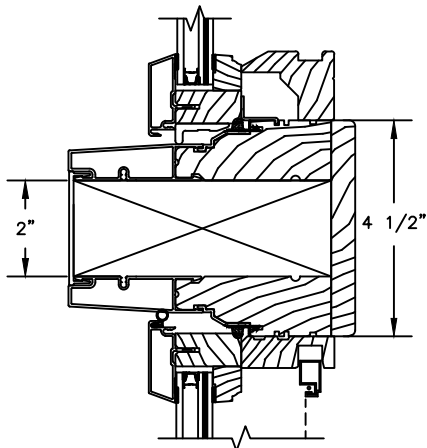
SCALE: 3" = 1'-0"



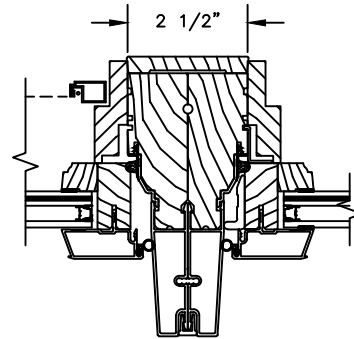
HORIZONTAL MULLION
STATIONARY/OPERATOR



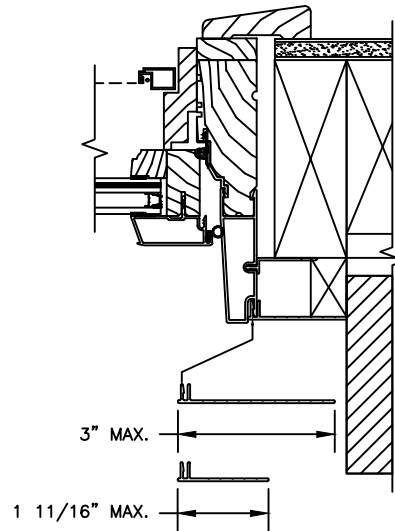
VERTICAL MULLION
OPERATOR/OPERATOR



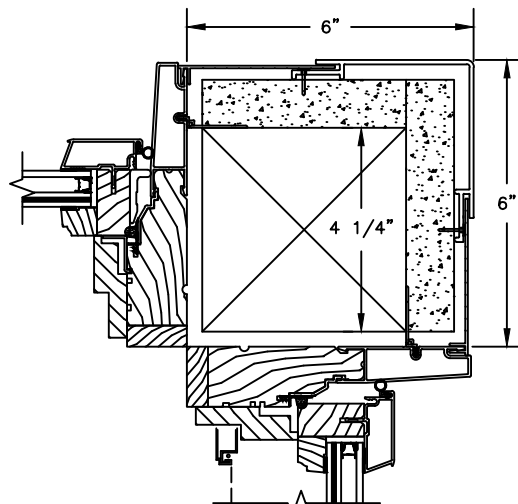
HORIZONTAL MULLION WITH
2" SPREAD MULL
ADDITIONAL WIDTHS INCLUDE:
1", 2", 2 1/2", 3", & 4"



VERTICAL MULLION
OPERATOR/PICTURE



OPTIONAL FRAME
EXPANDERS



90° MULLION
STATIONARY/OPERATOR
(ONLY USED WITH 4 9/16" JAMB & 3 1/4"
FRAME EXPANDER)

Pinnacle Impact Series

CLAD CASEMENT

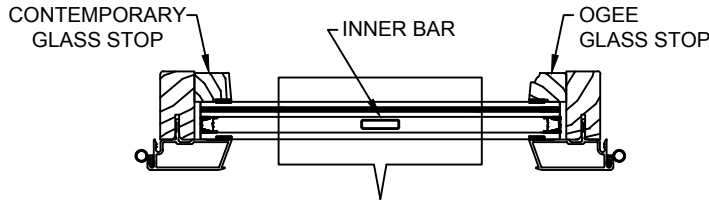
SECTION DETAILS : DIVIDED LITE OPTIONS

SCALE: 3" = 1'-0"

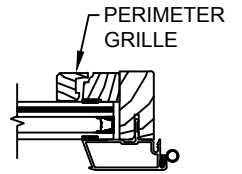
AVAILABLE STYLES

-  - PUTTY
-  - TALL PUTTY*
-  - OGEE
-  - CONTEMPORARY
-  - TALL CONTEMPORARY*

*CLAD EXTERIOR BAR ONLY



SEE BELOW FOR GRILLE OPTIONS



DETAIL: A

	5/8" WDL WITH INNER BAR	7/8" WDL WITH INNERBAR	1 1/4" WDL WITH INNERBAR	2" WDL WITH INNERBAR
STANDARD INSULATING GLASS				
13/16" INNERGRILLE				
3/4" PROFILED INNERGRILLE				
7/8" STICK & PERIMETER GRILLE				
1 1/4" STICK & PERIMETER GRILLE				

8/21/20

NOTE:

* ALL WDL OPTIONS CAN BE ORDERED WITH OR WITHOUT INNER BAR

* PERIMETER GRILLES ONLY AVAILABLE IN THE 7/8" AND 1 1/4" OGEE STYLE GLASS STOP (SEE DETAIL: A)

Pinnacle Impact Series

CLAD CASEMENT

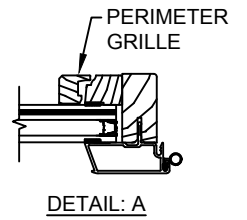
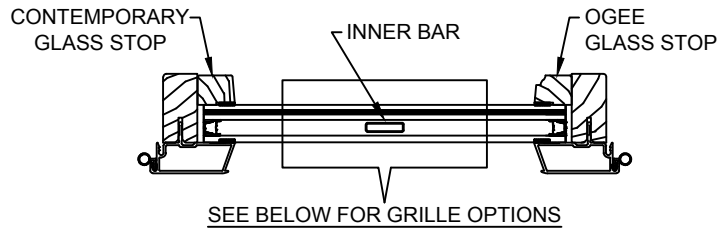
SECTION DETAILS : DIVIDED LITE OPTIONS CONTINUED

SCALE: 3" = 1'-0"

AVAILABLE STYLES

-  - PUTTY
-  - TALL PUTTY*
-  - OGEE
-  - CONTEMPORARY
-  - TALL CONTEMPORARY*

*CLAD EXTERIOR BAR ONLY



	5/8" WDL WITH INNER BAR	7/8" WDL WITH INNERBAR	1 1/4" WDL WITH INNERBAR	2" WDL WITH INNERBAR
STANDARD INSULATING GLASS				
13/16" INNERGRILLE				
3/4" PROFILED INNERGRILLE				
7/8" STICK & PERIMETER GRILLE				
1 1/4" STICK & PERIMETER GRILLE				

8/21/20

NOTE:

* ALL WDL OPTIONS CAN BE ORDERED WITH OR WITHOUT INNER BAR

* PERIMETER GRILLES ONLY AVAILABLE IN THE 7/8" AND 1 1/4" OGEE STYLE GLASS STOP (SEE DETAIL: A)