

# Pinnacle Series

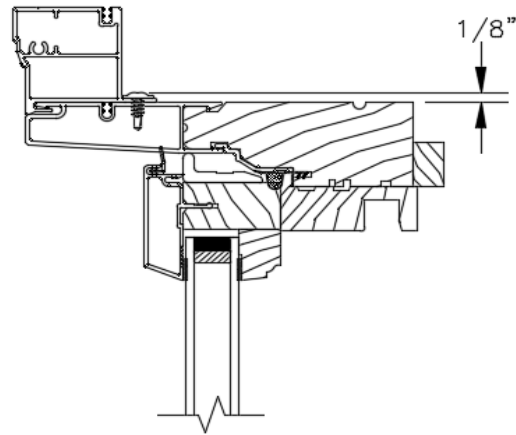
## CLAD CASEMENT

### MEASUREMENT CONVERSIONS

STANDARD (NO CASING)												
Size Referenced	Daylite Opening		Glass Size		Frame Size		Rough Opening		Unit Size		Masonry Opening	
Daylite Opening	<b>Dimension Needed</b>											
			Width	+ 1 1/4	Width	+ 5 1/4	Width	+ 6	Width	+ 5 1/4	Width	+ 6
Glass Size			Height	+ 1 1/4	Height	+ 5 1/4	Height	+ 5 3/4	Height	+ 5 1/4	Height	+ 5 3/4
	Width	- 1 1/4			Width	+ 4	Width	+ 4 3/4	Width	+ 4	Width	+ 4 3/4
Frame Size	Height	- 1 1/4			Height	+ 4	Height	+ 4 1/2	Height	+ 4	Height	+ 4 1/2
	Width	- 5 1/4	Width	- 4			Width	+ 3/4	Width	+ 0	Width	+ 3/4
Rough Opening	Height	- 5 1/4	Height	- 4			Height	+ 1/2	Height	+ 0	Height	+ 1/2
	Width	- 6	Width	- 4 3/4	Width	- 3/4			Width	- 3/4	Width	+ 0
Unit Size	Height	- 5 3/4	Height	- 4 1/2	Height	- 1/2			Height	- 1/2	Height	+ 0
	Width	- 5 1/4	Width	- 4	Width	+ 0	Width	+ 3/4			Width	+ 3/4
Masonry Opening	Height	- 5 1/4	Height	- 4	Height	+ 0	Height	+ 1/2			Height	+ 1/2
	Width	- 6	Width	- 4 3/4	Width	- 3/4	Width	+ 0	Width	- 3/4		
	Height	- 5 3/4	Height	- 4 1/2	Height	- 1/2	Height	+ 0	Height	- 1/2		

### FRAME TO UNIT ADDERS

WM180 Brickmould	3/8" Subsill	+ 2 13/16	Width
		+ 1 3/4	Height
	1 1/4" Subsill	+ 2 13/16	Width
		+ 2 11/16	Height
	2 1/4" Subsill	+ 2 13/16	Width
		+ 3 11/16	Height
Williamsburg Casing	3/8" Subsill	+ 6 1/2	Width
		+ 3 5/8	Height
	1 1/4" Subsill	+ 6 1/2	Width
		+ 4 1/2	Height
	2 1/4" Subsill	+ 6 1/2	Width
		+ 5 1/2	Height
3 1/2" Flat Casing	3/8" Subsill	+ 5 7/8	Width
		+ 3 5/16	Height
	1 1/4" Subsill	+ 5 7/8	Width
		+ 4 3/16	Height
	2 1/4" Subsill	+ 5 7/8	Width
		+ 5 3/16	Height



**NOTE: RIGID NAIL FIN AND ALL CASING OPTIONS ARE APPLIED WITH SCREWS THAT SLIGHTLY PROTRUDE INTO ROUGH OPENING BY 1/8". THESE SCREWS ARE NOT INCLUDED IN ROUGH OPENING CALCULATIONS.**

**NOTE: ADD 3/4" TO UNIT WIDTH AND 1/2" TO UNIT HEIGHT TO CALCULATE MASONRY OPENING.**