

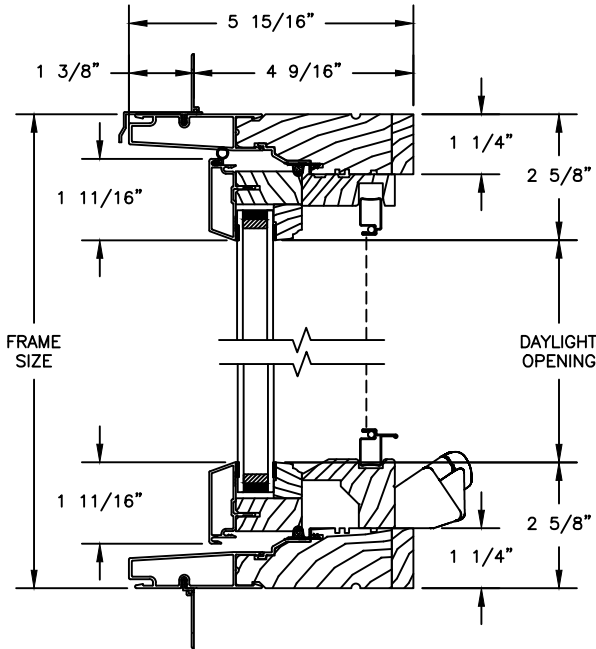
# Pinnacle Series

## CLAD CASEMENT

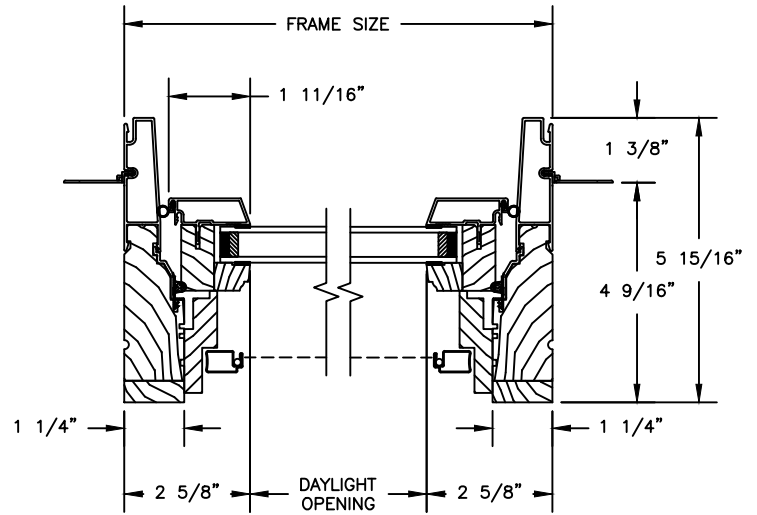
SECTION DETAILS : OPERATING / STATIONARY

SCALE: 3" = 1'-0"

### OPERATING

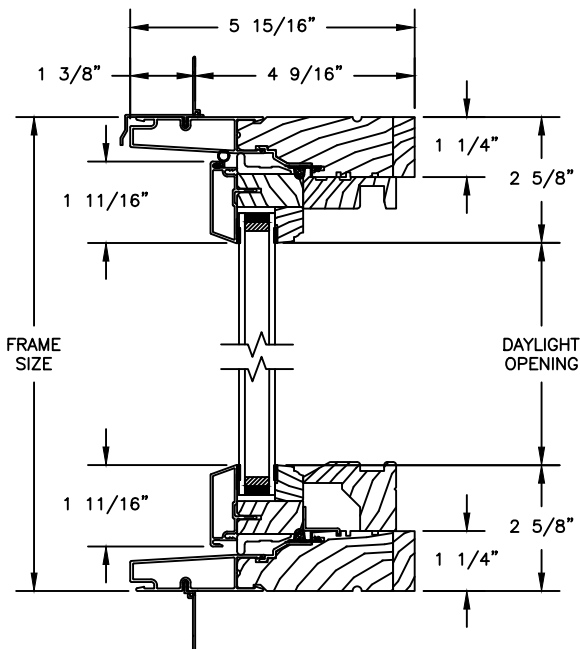


HEAD JAMB & SILL

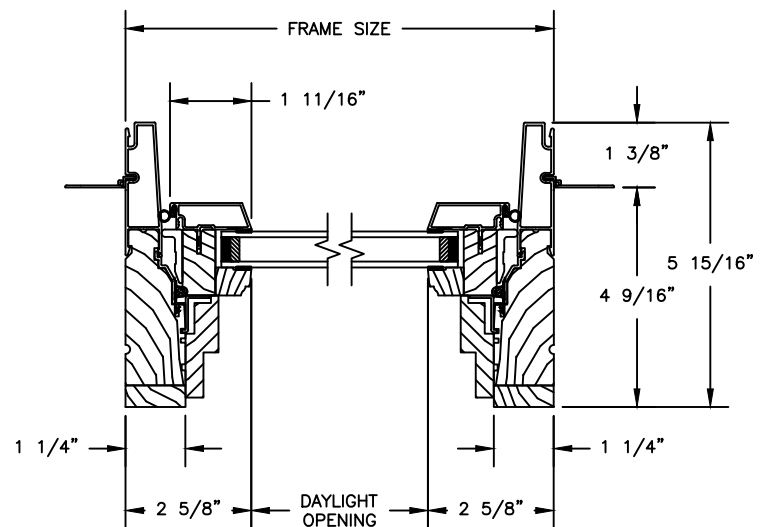


JAMBS

### STATIONARY



HEAD JAMB & SILL



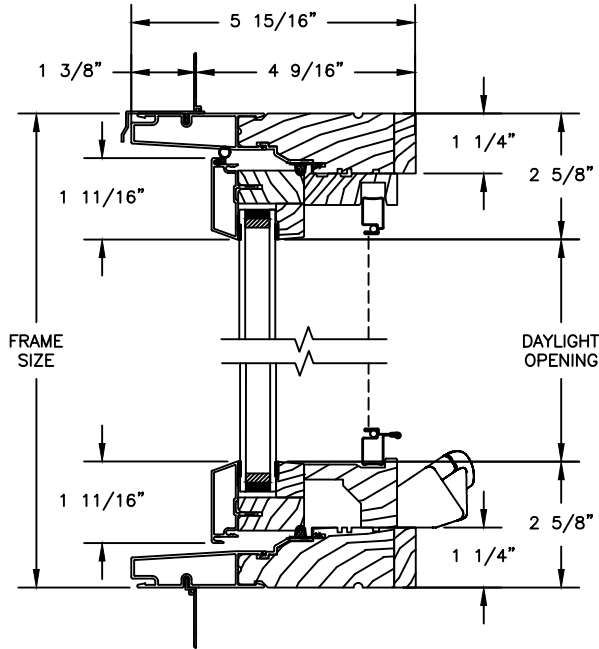
JAMBS

# Pinnacle Series

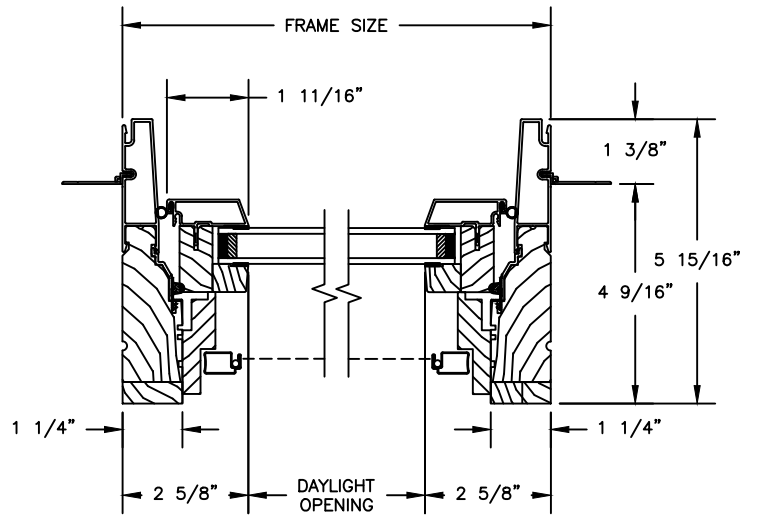
## CLAD CASEMENT

SECTION DETAILS : OPERATING / STATIONARY WITH CONTEMPORARY STOPS  
 SCALE: 3" = 1'-0"

### OPERATING

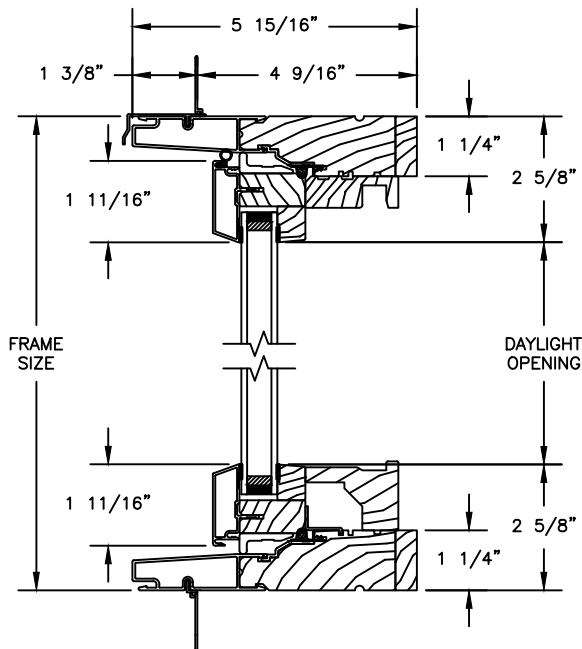


HEAD JAMB & SILL

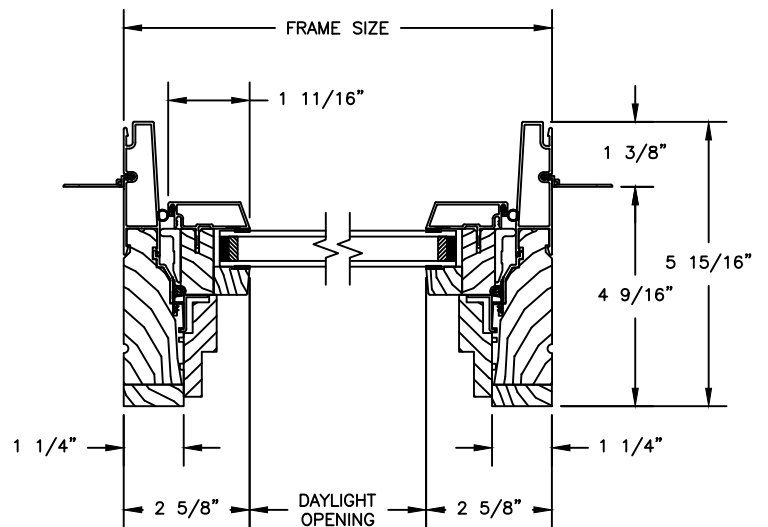


JAMBS

### STATIONARY



HEAD JAMB & SILL



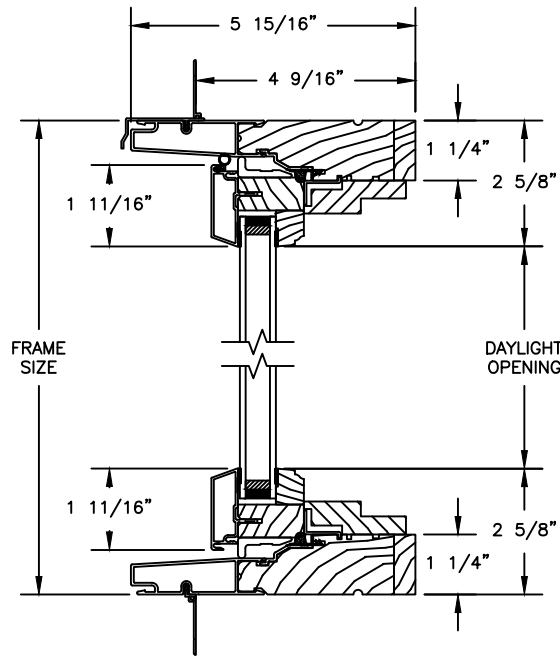
JAMBS

# Pinnacle Series CLAD CASEMENT

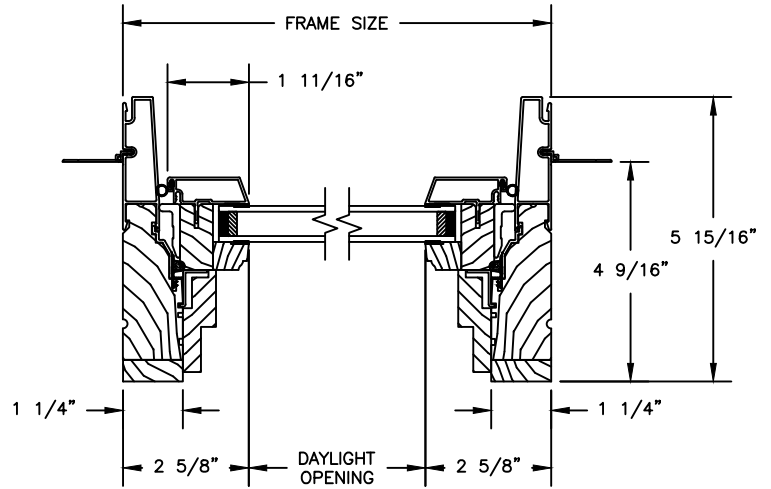
SECTION DETAILS : PICTURE / TRANSOM

SCALE: 3" = 1'-0"

PICTURE / TRANSOM



HEAD JAMB & SILL

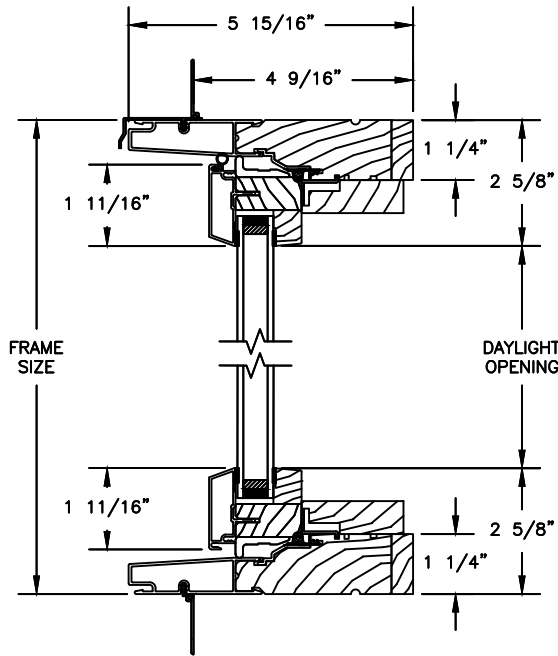


JAMBS

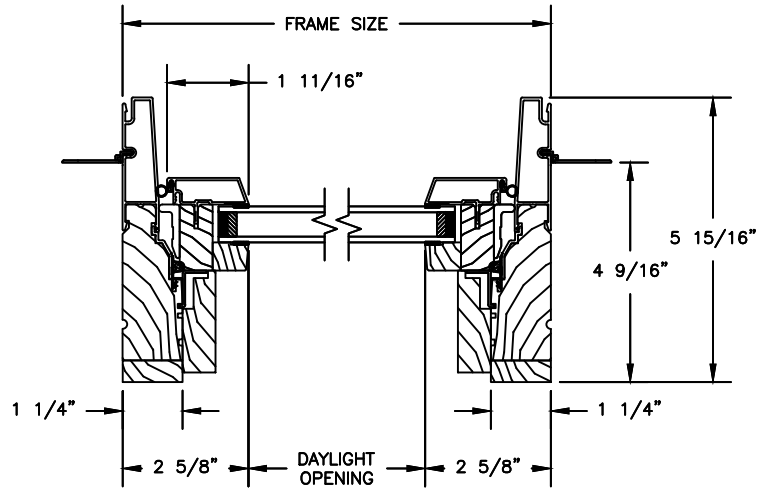
# Pinnacle Series CLAD CASEMENT

SECTION DETAILS : PICTURE WITH CONTEMPORARY STOPS  
SCALE: 3" = 1'-0"

PICTURE



HEAD JAMB & SILL



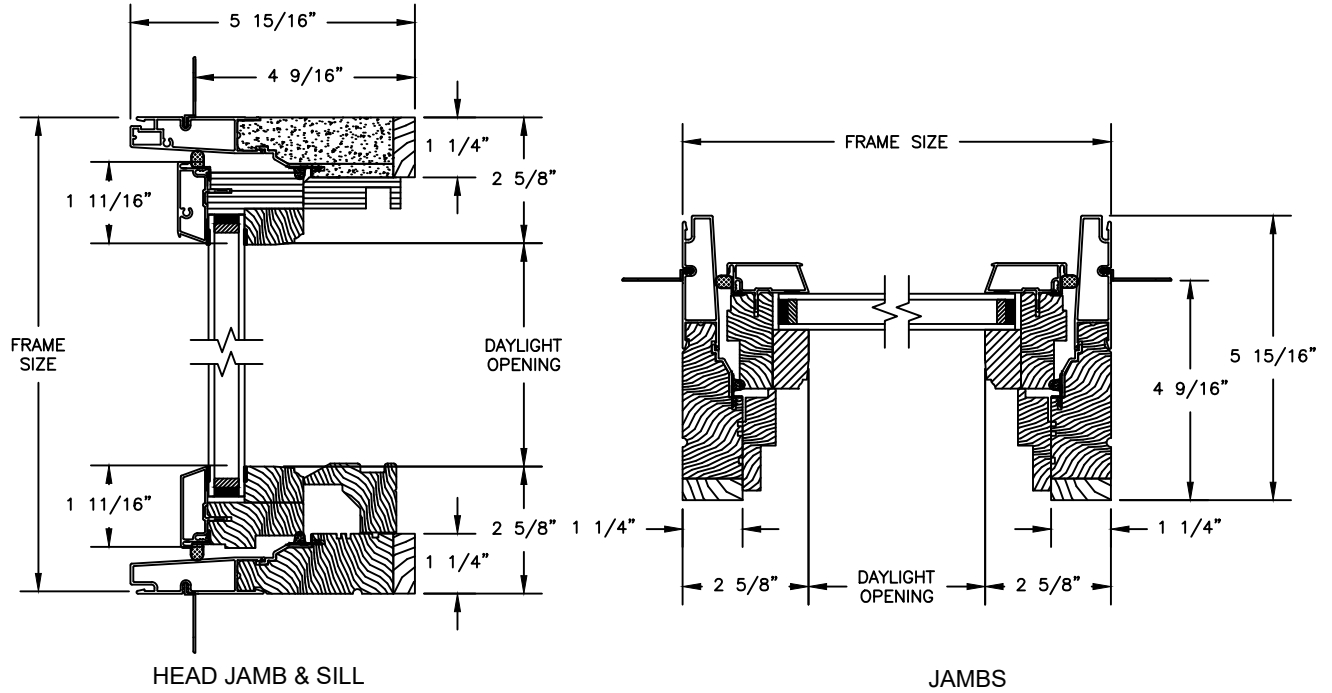
JAMBS

# Pinnacle Series

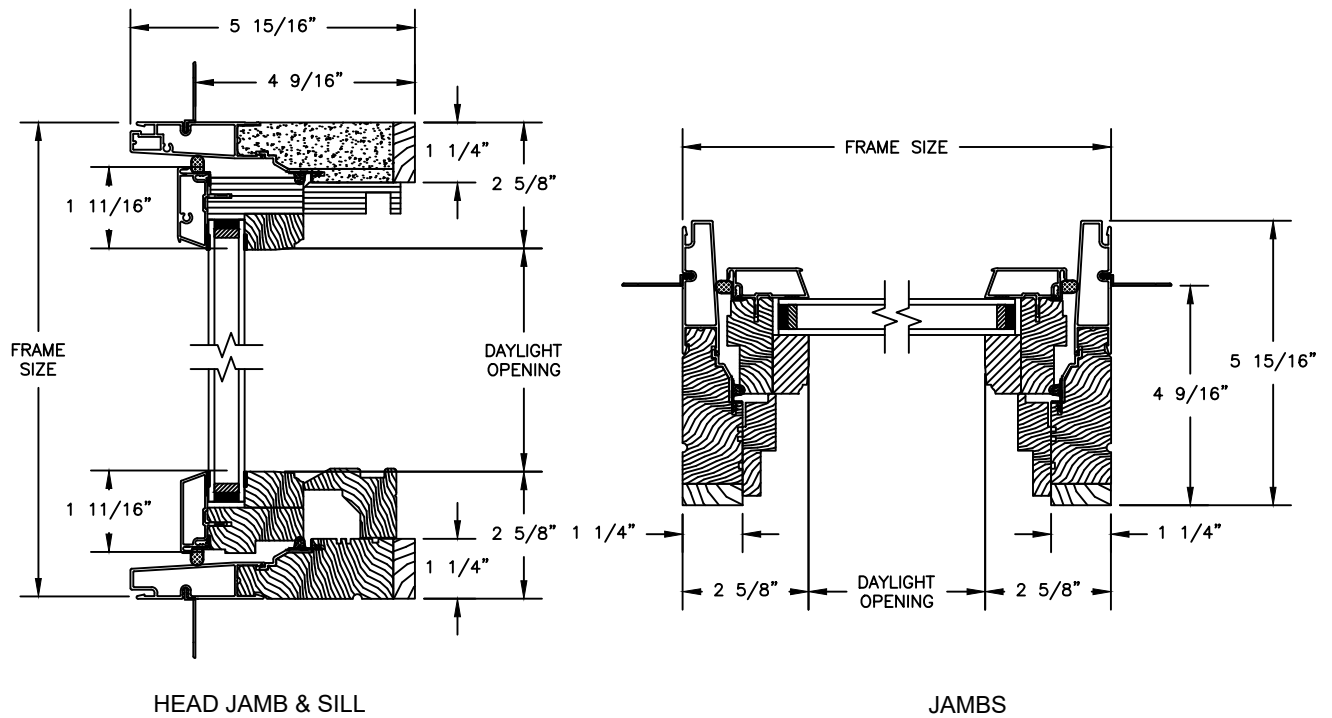
## CLAD RADIUS CASEMENT

SECTION DETAILS : OPERATING / STATIONARY  
 SCALE: 3" = 1'-0"

### OPERATING



### STATIONARY

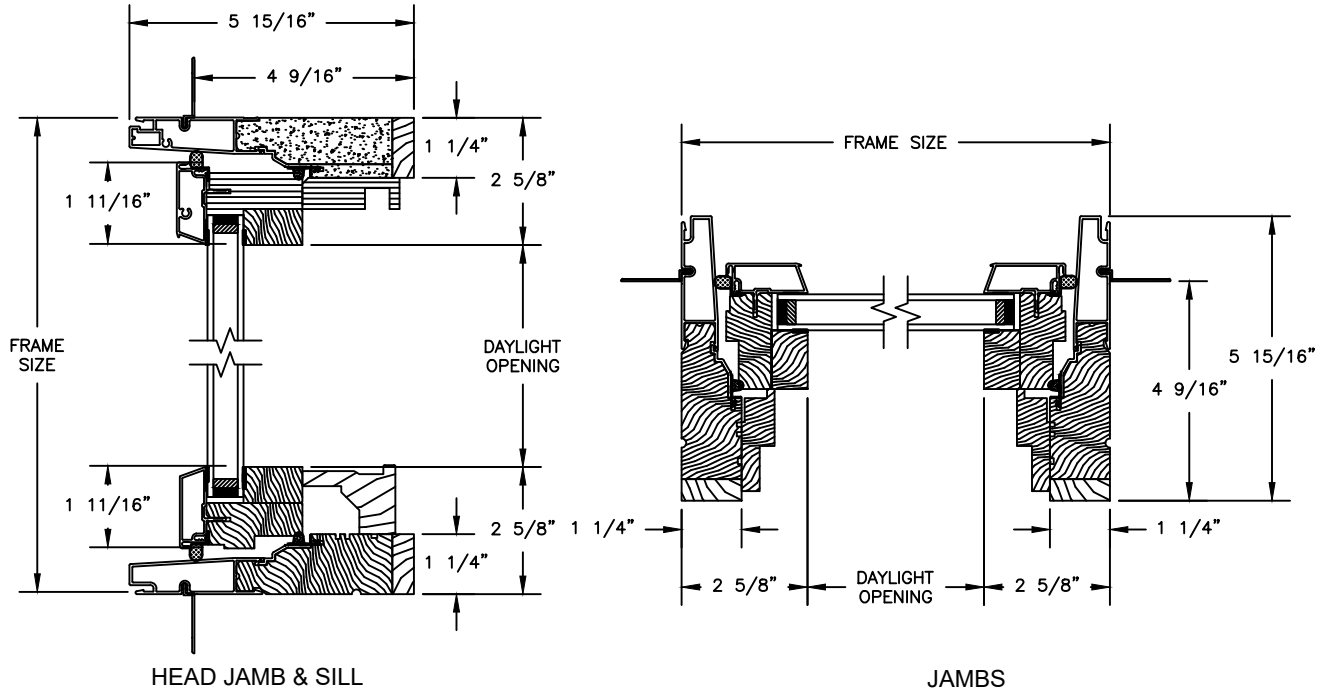


# Pinnacle Series

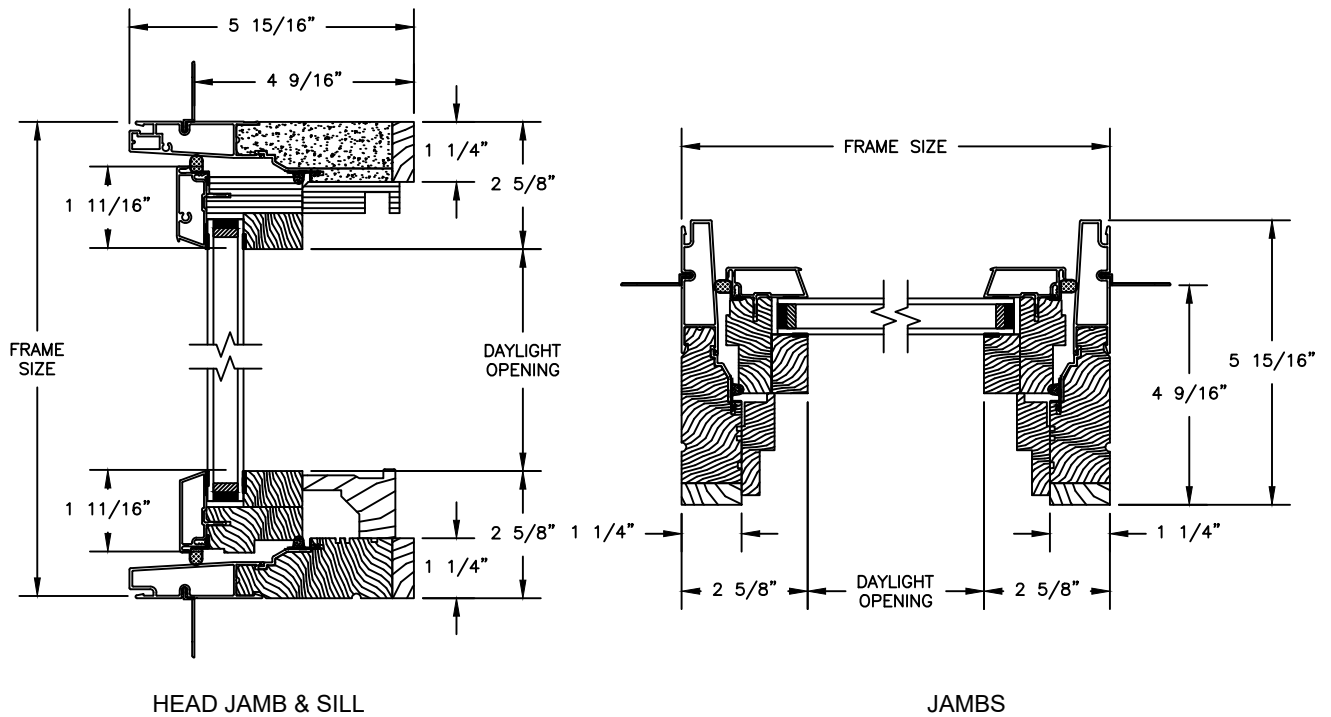
## CLAD RADIUS CASEMENT

SECTION DETAILS : OPERATING / STATIONARY WITH CONTEMPORARY STOPS  
 SCALE: 3" = 1'-0"

### OPERATING



### STATIONARY

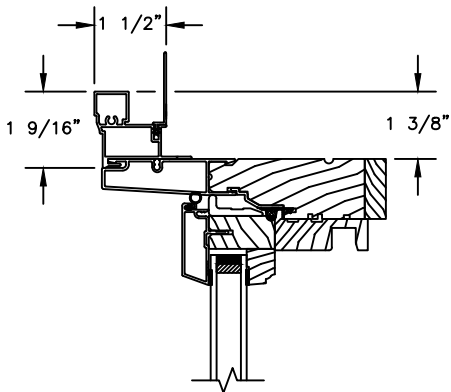


# Pinnacle Series

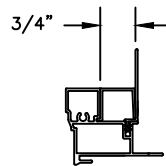
## CLAD CASEMENT

SECTION DETAILS : CASING OPTIONS

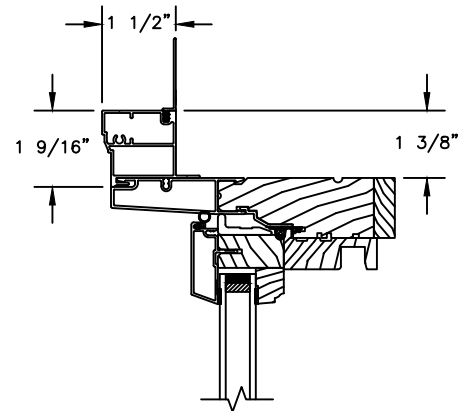
SCALE: 3" = 1'-0"



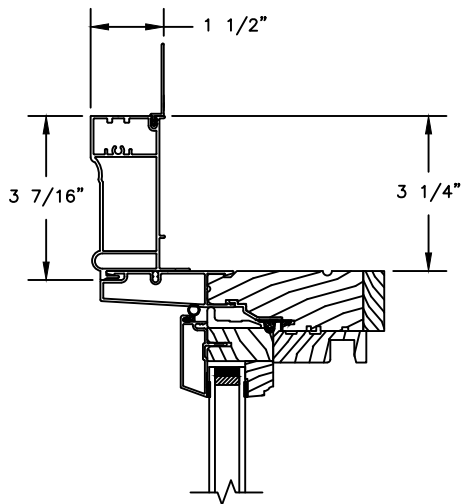
HEAD JAMB WITH  
CLAD 180 BRICKMOULD CASING



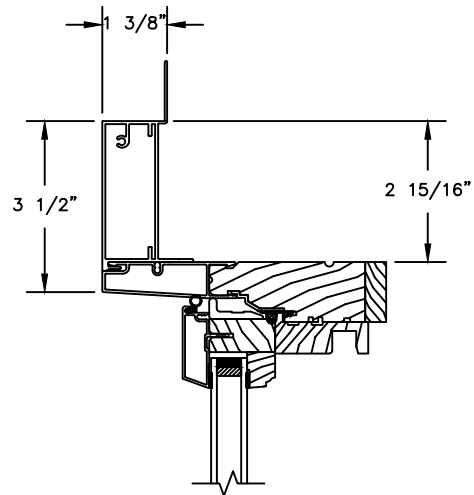
CLAD BRICKMOULD CASING  
WITH OPTIONAL J-CHANNEL COVER



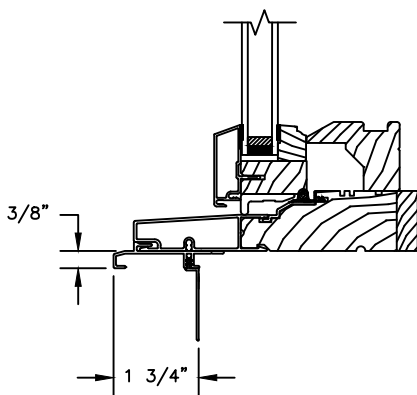
HEAD JAMB WITH  
CLAD SQUARE BRICKMOULD CASING



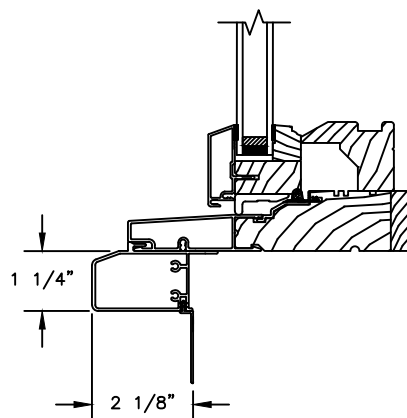
HEAD JAMB WITH  
CLAD WILLIAMSBURG CASING



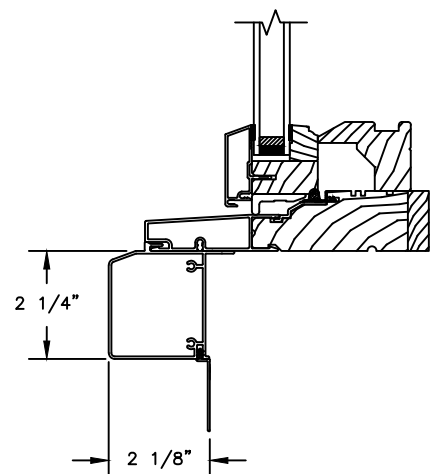
HEAD JAMB WITH  
3 1/2" CLAD FLAT CASING



SILL WITH  
12/16/24 3/8" CLAD SUBSILL



SILL WITH  
1 1/4" CLAD SUBSILL



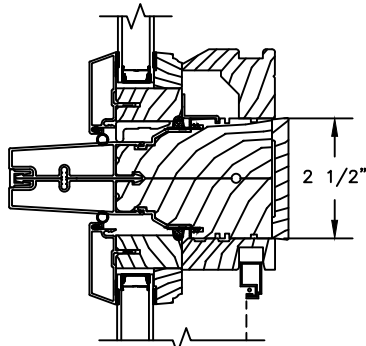
SILL WITH  
2 1/4" CLAD SUBSILL

# Pinnacle Series

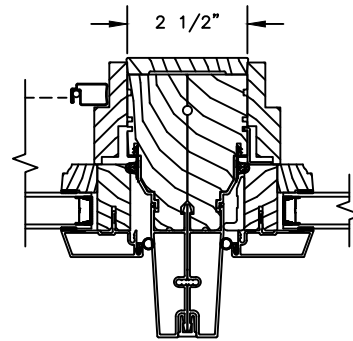
## CLAD CASEMENT

SECTION DETAILS : MULLIONS

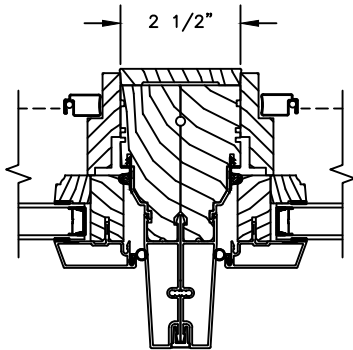
SCALE: 3" = 1'-0"



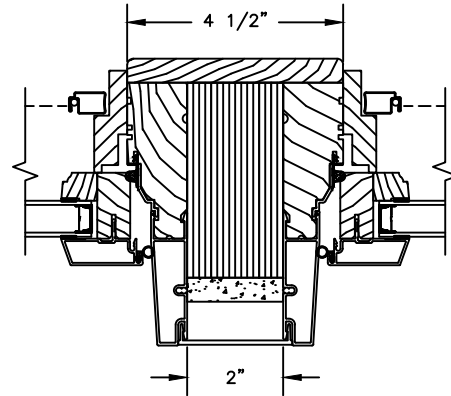
HORIZONTAL MULLION  
STATIONARY/OPERATOR



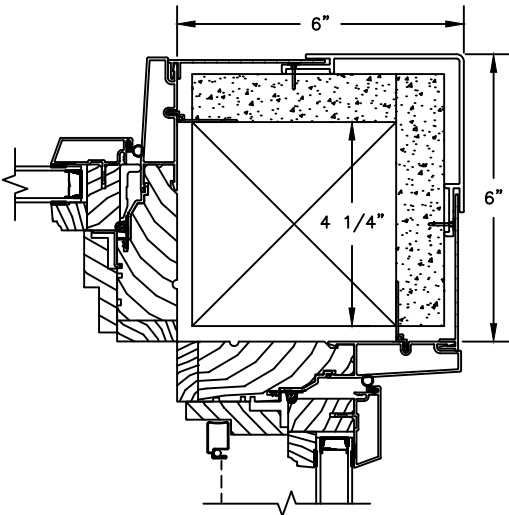
VERTICAL MULLION  
OPERATOR/PICTURE



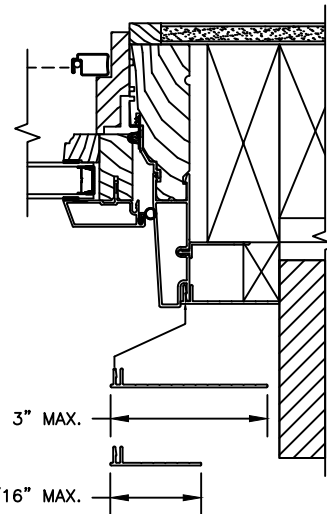
VERTICAL MULLION  
OPERATOR/OPERATOR



VERTICAL MULLION WITH  
2" SPREAD MULL  
ADDITIONAL WIDTHS INCLUDE:  
1", 2", 2 1/2", 3", & 4"



90° MULLION  
PICTURE/OPERATOR  
(ONLY USED WITH 4 9/16" JAMB & 3 1/4"  
FRAME EXPANDER)



NOTE:  
FOR INFORMATION ON STRUCTURAL MULLIONS REFER TO  
THE PRODUCT PERFORMANCE AND INFORMATION SECTION.



# Pinnacle Series CLAD CASEMENT

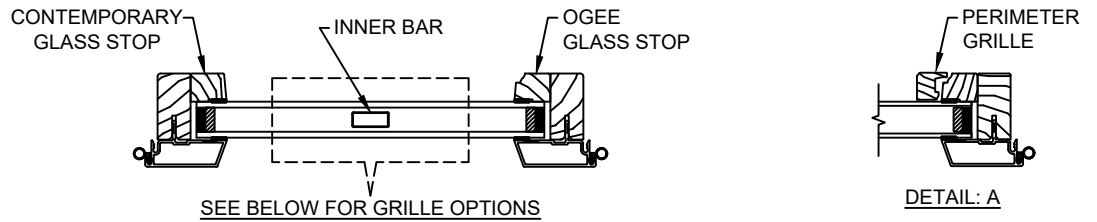
SECTION DETAILS : GLASS STOP & DIVIDED LITE OPTIONS

SCALE: 3" = 1'-0"

**AVAILABLE STYLES**

-  - PUTTY
-  - TALL PUTTY\*
-  - OGEE
-  - CONTEMPORARY
-  - TALL CONTEMPORARY\*

\*CLAD EXTERIOR BAR ONLY



	5/8" WDL WITH INNER BAR	7/8" WDL WITH INNERBAR	1 1/4" WDL WITH INNERBAR	2" WDL WITH INNERBAR
STANDARD INSULATING GLASS				
13/16" INNERGRILLE				
3/4" PROFILED INNERGRILLE				
1" PROFILED INNERGRILLE				
7/8" STICK GRILLE				
1 1/4" STICK GRILLE				

**NOTE:**

\* ALL WDL OPTIONS CAN BE ORDERED WITH OR WITHOUT INNER BAR

\* PERIMETER GRILLES ONLY AVAILABLE IN THE 7/8" AND 1 1/4" OGEE STYLE GLASS STOP (SEE DETAIL: A)

# Pinnacle Series

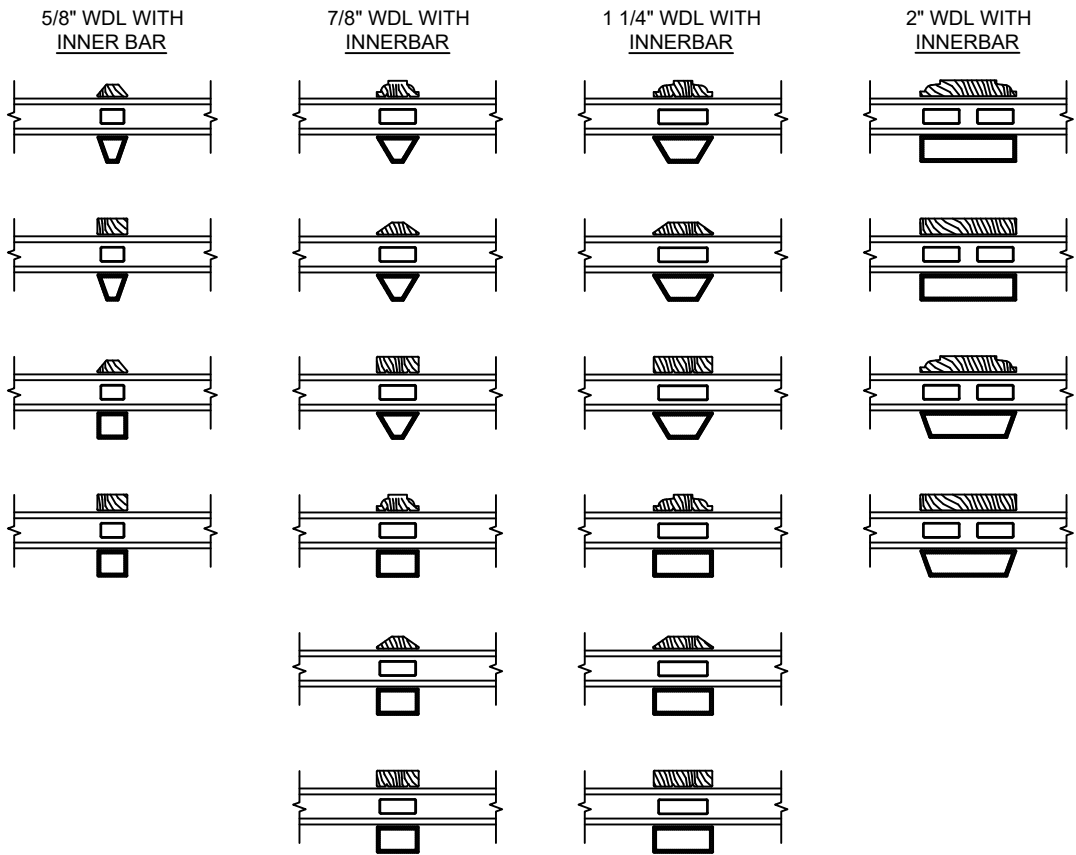
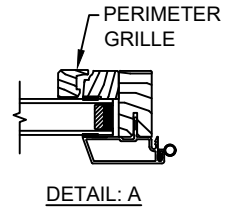
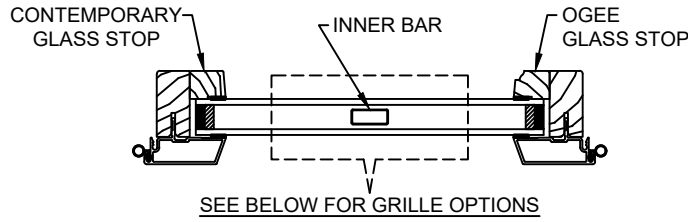
## CLAD CASEMENT

SECTION DETAILS : GLASS STOP & DIVIDED LITE OPTIONS CONTINUED  
 SCALE: 3" = 1'-0"

AVAILABLE STYLES

-  - PUTTY
-  - TALL PUTTY\*
-  - OGEE
-  - CONTEMPORARY
-  - TALL CONTEMPORARY\*

\*CLAD EXTERIOR BAR ONLY



NOTE:

\* ALL WDL OPTIONS CAN BE ORDERED WITH OR WITHOUT INNER BAR

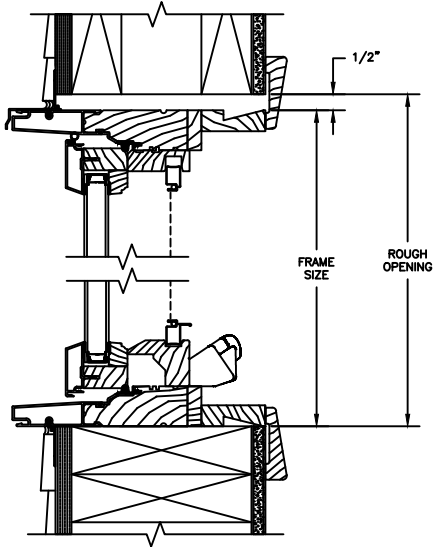
\* PERIMETER GRILLES ONLY AVAILABLE IN THE 7/8" AND 1 1/4" OGEE STYLE GLASS STOP (SEE DETAIL: A)

# Pinnacle Series

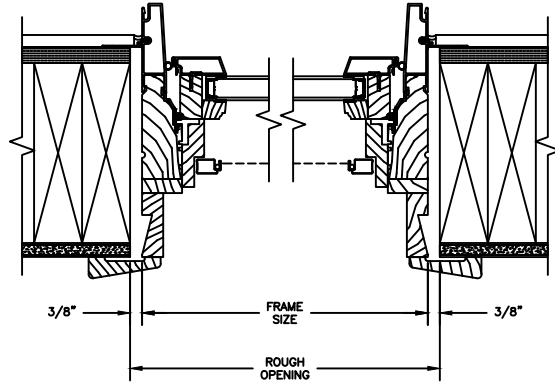
## CLAD CASEMENT

SECTION DETAILS : CONSTRUCTION

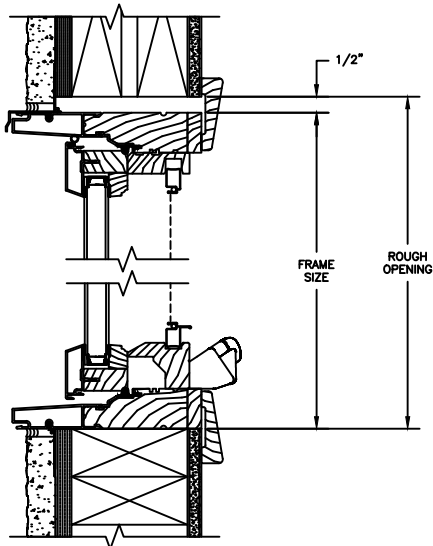
SCALE: 2" = 1'-0"



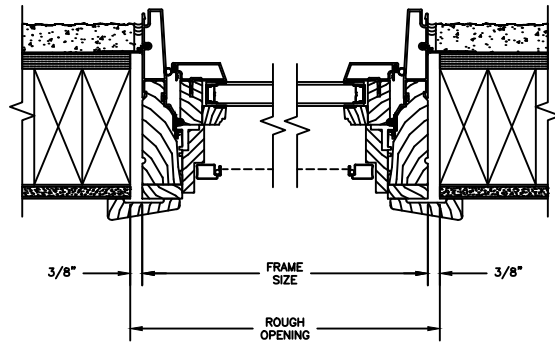
HEAD JAMB & SILL  
2 X 6 FRAME WITH SIDING



JAMBS  
2 X 6 FRAME WITH SIDING



HEAD JAMB & SILL  
2 X 4 FRAME WITH STUCCO



JAMBS  
2 X 4 FRAME WITH STUCCO

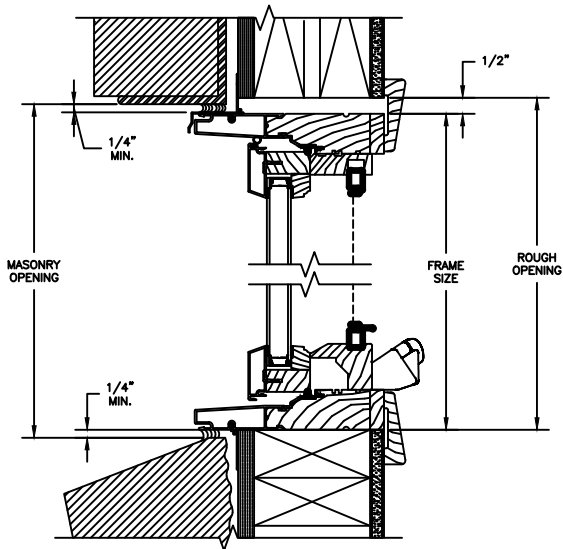
NOTE :  
THE ABOVE WALL SECTIONS REPRESENT TYPICAL WALL CONDITIONS, THESE DETAILS ARE NOT INTENDED AS INSTALLATIONS INSTRUCTIONS. PLEASE REFER TO THE INSTALLATION INSTRUCTIONS PROVIDED WITH THE PURCHASED UNITS.

# Pinnacle Series

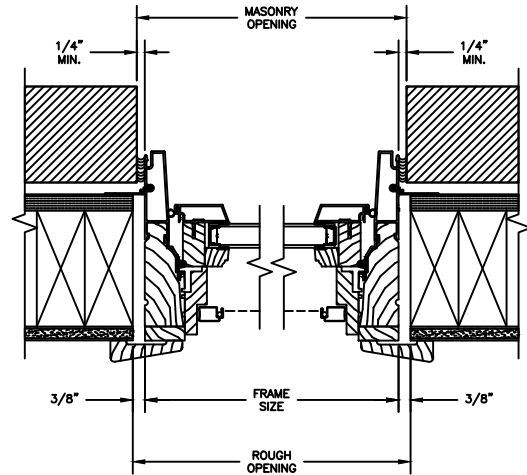
## CLAD CASEMENT

SECTION DETAILS : CONSTRUCTION

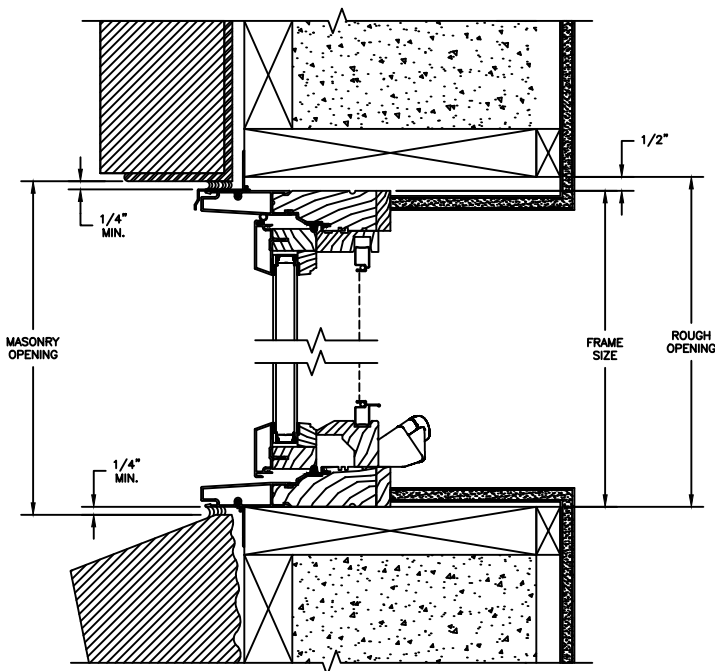
SCALE: 2" = 1'-0"



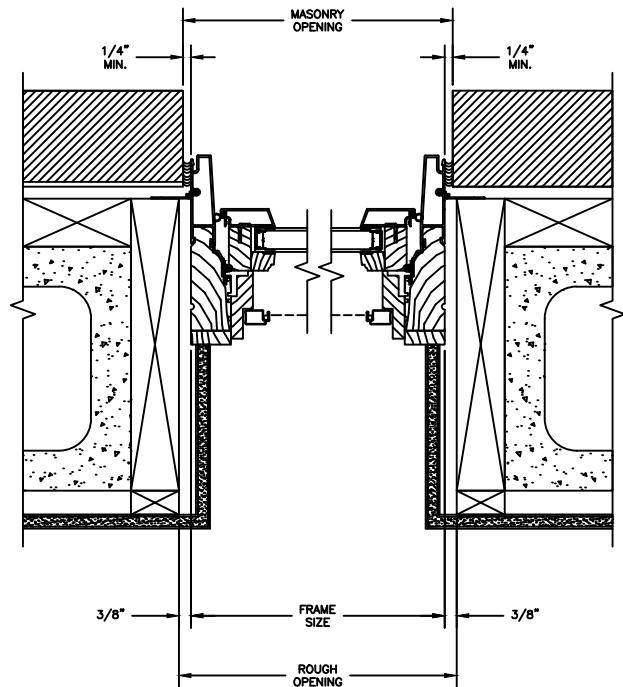
HEAD JAMB & SILL  
2 X 4 FRAME WITH BRICK VENEER



JAMBS  
2 X 4 FRAME WITH BRICK VENEER



HEAD JAMB & SILL  
8" CONCRETE BLOCK WALL  
WITH BRICK VENEER

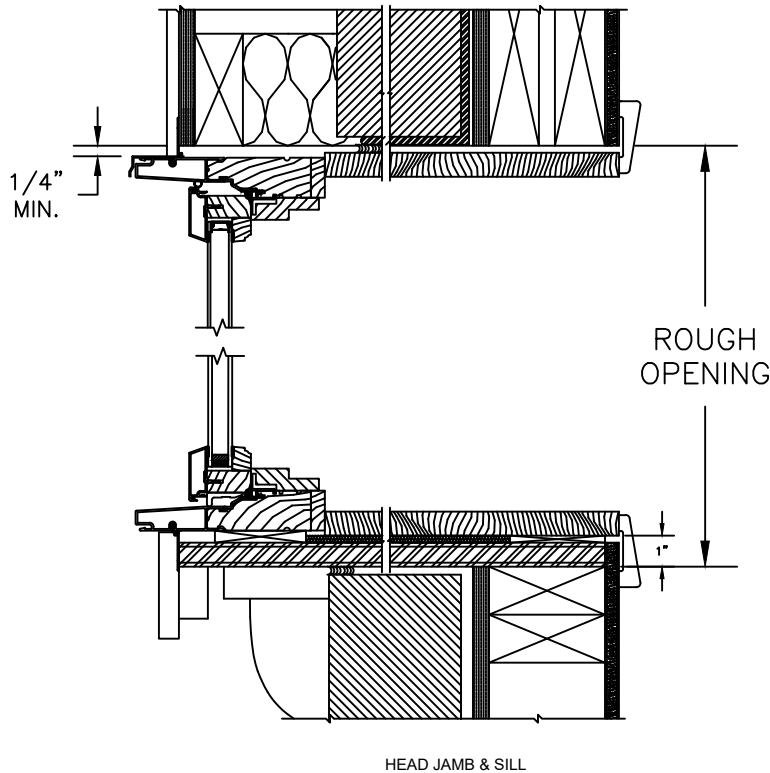


JAMBS  
8" CONCRETE BLOCK WALL  
WITH BRICK VENEER

# Pinnacle Series

## CLAD CASEMENT

SECTION DETAILS : BAY & BOW  
NOT TO SCALE



**NOTES :**

3/4" plywood platform and trim by others. Rough opening allows for 3/4" thick platform. Support brackets or cable support must be used. Masonry opening measurements represent units without brickmould casing.  
**Add 1 1/8" to masonry opening when using clad brickmould casing.**

Rough and Masonry opening heights include head and seat boards. If head and seat boards are not specified, subtract 3/4" for each board.  
Construction materials supplied by others.

Height Measurements		
BAY & BOW		
Height	R.O. Height	M.O. Height
20	2 - 1 1/4	2 - 1
26	2 - 7 1/4	2 - 7
32	3 - 1 1/4	3 - 1
38	3 - 7 1/4	3 - 7
44	4 - 1 1/4	4 - 1
50	4 - 7 1/4	4 - 7
56	5 - 1 1/4	5 - 1
62	5 - 7 1/4	5 - 7
68	6 - 1 1/4	6 - 1
74	6 - 7 1/4	6 - 7

**How to Specify:**

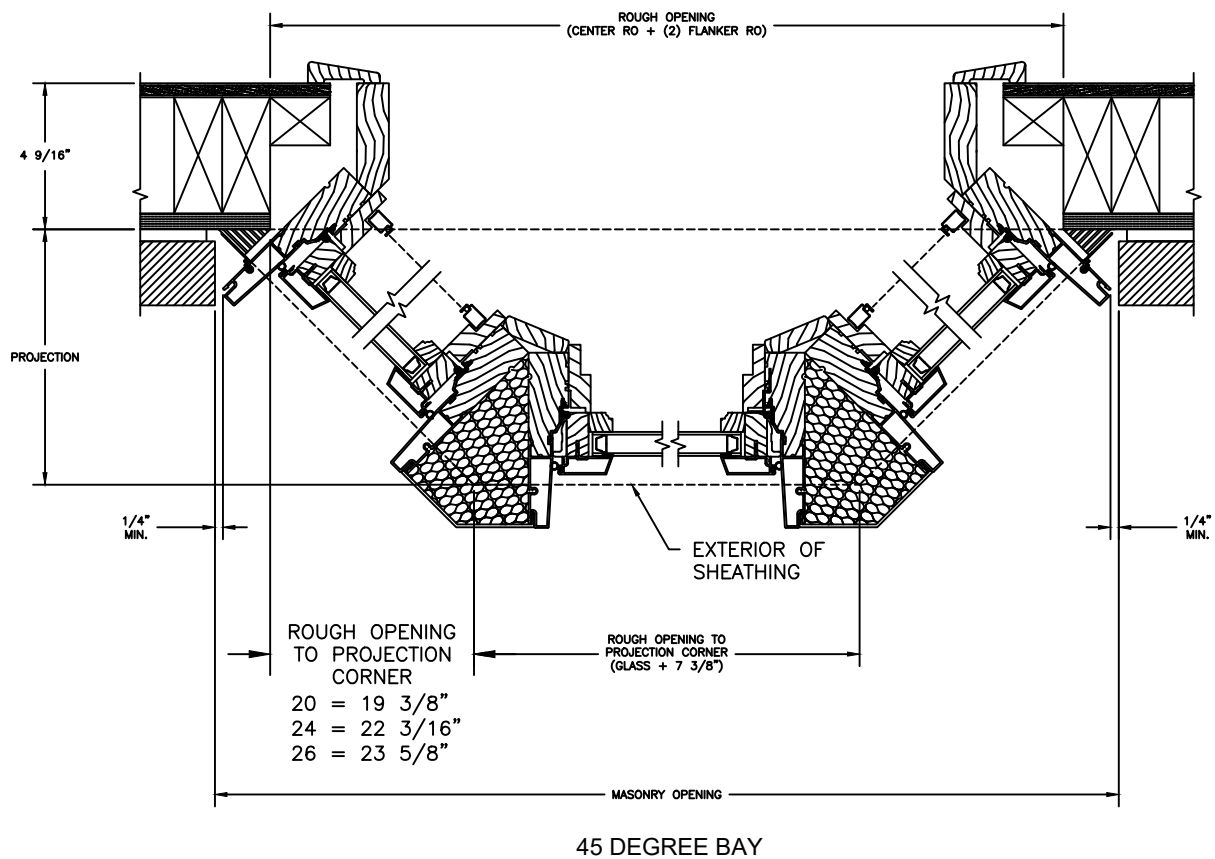
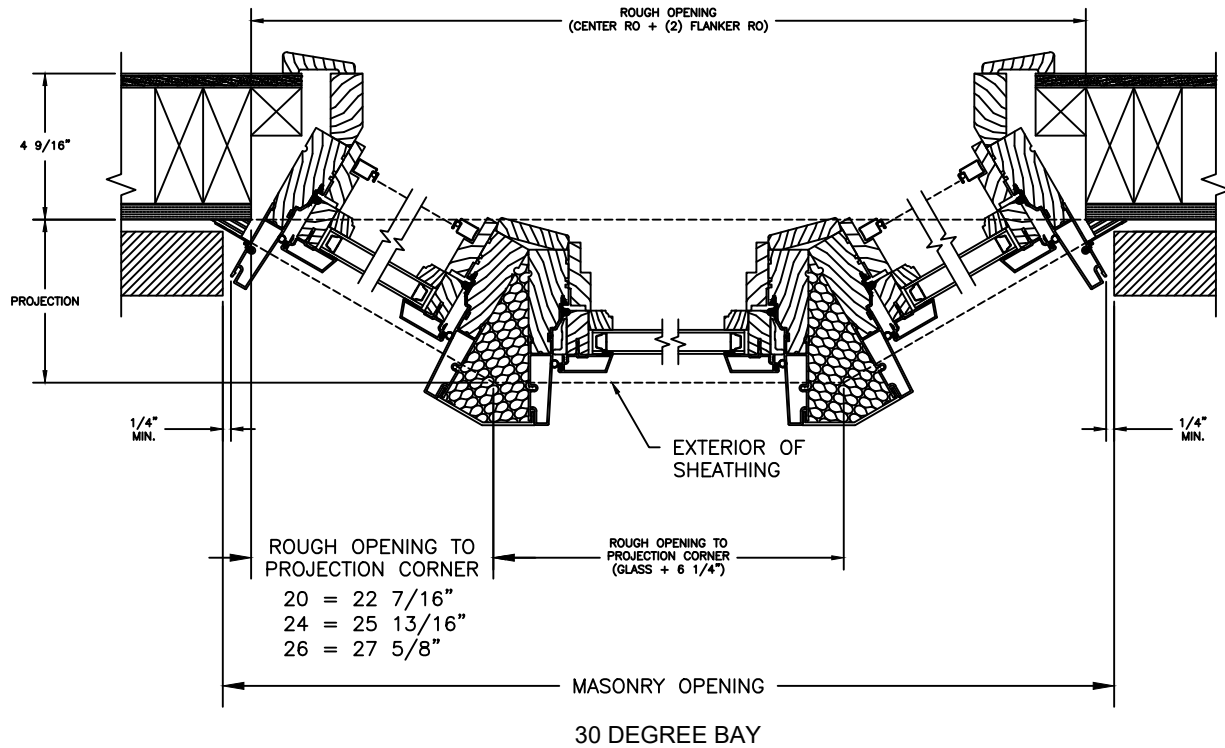
To specify a bay assembly using standard units, components mull configurations must be indicated. For example: a 30 degree assembly with 2044 flankers and a 4444 center unit uses the following product identification: Clad 20-44-2044 LSR. If standard units are not used, indicate unit frame size instead of callout.

# Pinnacle Series

## CLAD CASEMENT

SECTION DETAILS : 30/45 DEGREES BAY

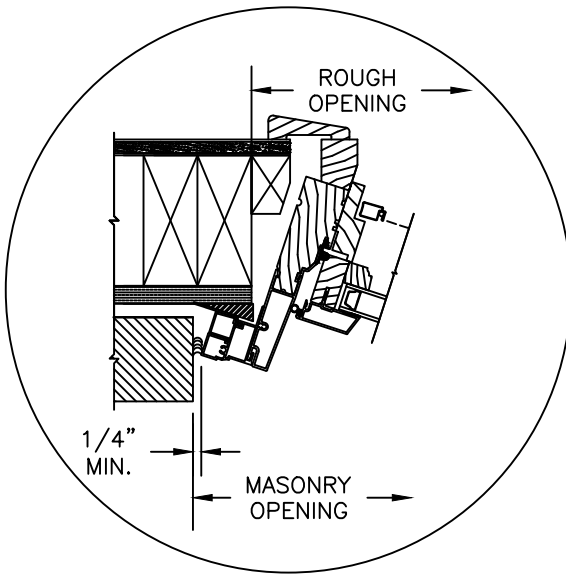
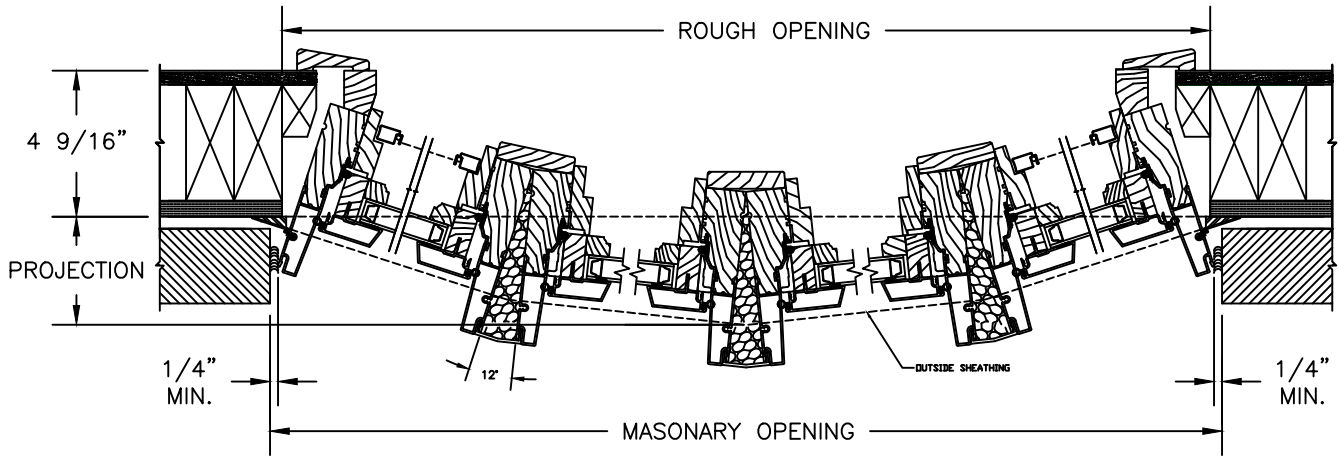
SCALE: 2" = 1'-0"



# Pinnacle Series

## CLAD CASEMENT

SECTION DETAILS : BOW  
NOT TO SCALE



BOW WITH OPTIONAL  
CLAD BRICKMOULD CASING

**NOTES :**

Unit and masonry openings represent units without casing. For a 4 wide bow masonry opening width using clad brickmould casing add 3 5/8" to the rough opening width and for a 5 wide add 4 1/16." For a 4 wide bow masonry opening width using flat casing add 7 1/2" to the rough opening width and for a 5 wide add 8 1/16." Construction materials supplied by others.

Width Measurements					
4-WIDE					
Width	Outside Radius	Unit Width	M.O. Width	R.O. Width	Projection
14	7 - 5 7/8	6 - 1 1/2	6 - 2	6 - 1 1/8	8 1/8
16	8 - 3 5/8	6 - 9 1/4	6 - 9 3/4	6 - 8 7/8	8 7/8
20	9 - 10 5/8	8 - 0 3/4	8 - 1 1/4	8 - 0 1/2	10 5/8
24	11 - 5 3/4	9 - 4 7/8	9 - 4 7/8	9 - 4	12 5/8
26	12 - 3 3/8	10 - 0 1/8	10 - 0 5/8	9 - 11 3/4	13 1/8
32	14 - 8	11 - 11 1/2	12 - 0	11 - 11 1/4	15 1/2
5-WIDE					
14	7 - 7 3/4	7 - 6 5/8	7 - 7 1/8	7 - 5 3/4	12
16	8 - 5 3/8	8 - 4 1/8	8 - 4 5/8	8 - 3 1/4	13 1/4
20	10 - 0 1/4	9 - 11 1/4	9 - 11 3/4	9 - 10 1/2	15 3/4
24	11 - 7 3/8	11 - 6 3/8	11 - 6 7/8	11 - 5 7/8	18 1/8

**NOTES :**

For standard bow assembly, note the product type, size identification(s), configuration, number of units wide and operation(s). Example: 2044-4 LSSR. For custom sized units and assemblies use the individual unit rough opening size in place of the standard size identification(s). To obtain more information on custom bows please contact your Windsor representative.

\*Projection is defined as the dimension from the back of the nailing flange to the exterior of the wall sheathing.

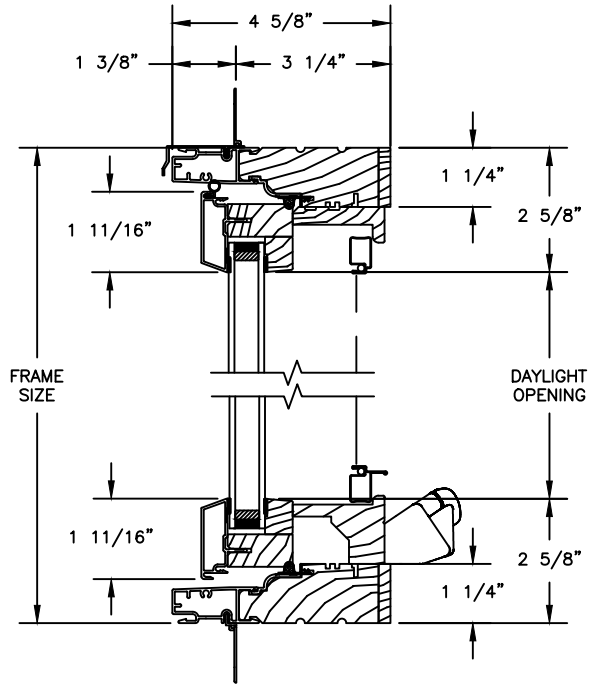
# Pinnacle Series

## CLAD CASEMENT - 3 1/4" FRAME

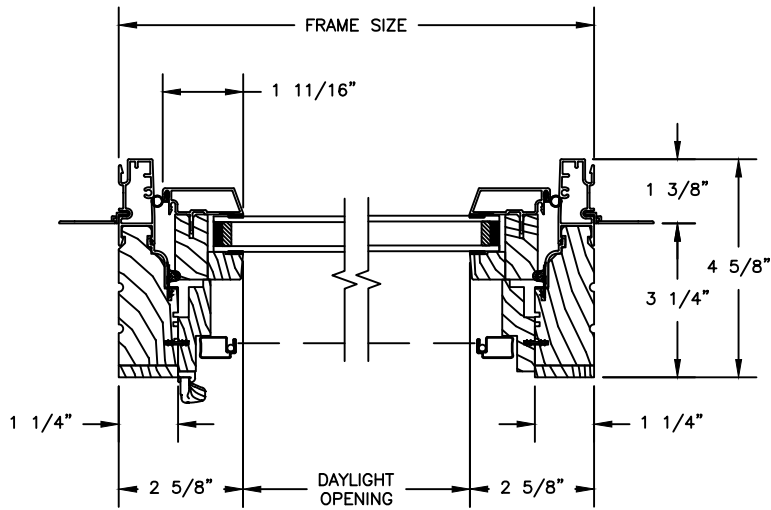
SECTION DETAILS : OPERATING

SCALE: 3" = 1'-0"

OPERATING



HEAD JAMB & SILL



JAMBS



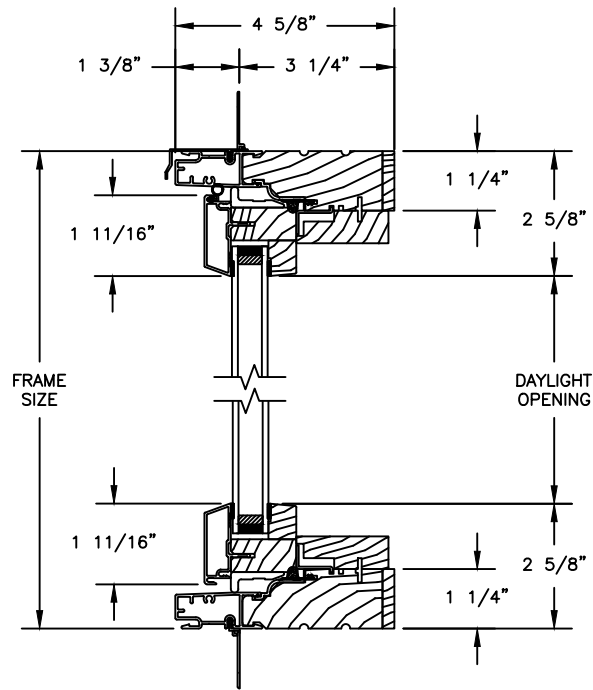
# Pinnacle Series

## CLAD CASEMENT - 3 1/4" FRAME

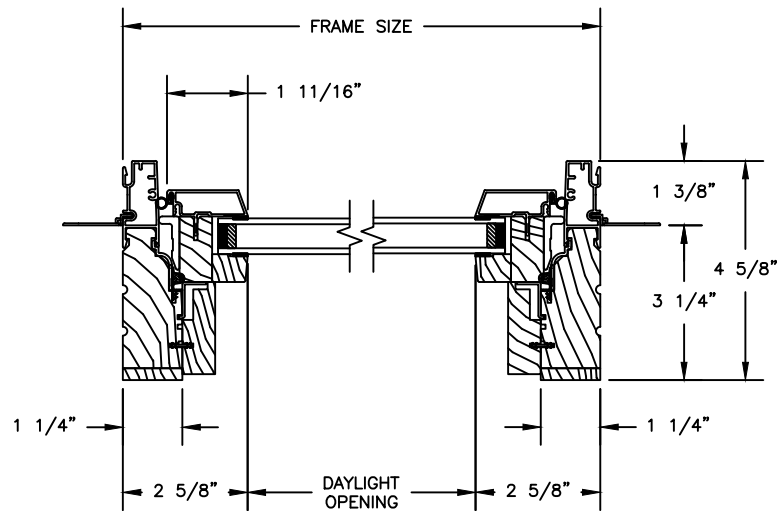
SECTION DETAILS : PICTURE/STATIONARY

SCALE: 3" = 1'-0"

PICTURE/STATIONARY



HEAD JAMB & SILL

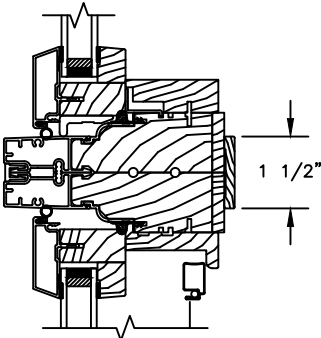


JAMBS

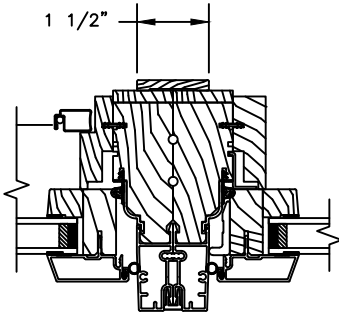
# Pinnacle Series

## CLAD CASEMENT - 3 1/4" FRAME

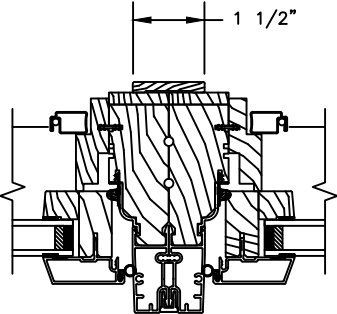
SECTION DETAILS : MULLIONS  
 SCALE: 3" = 1'-0"



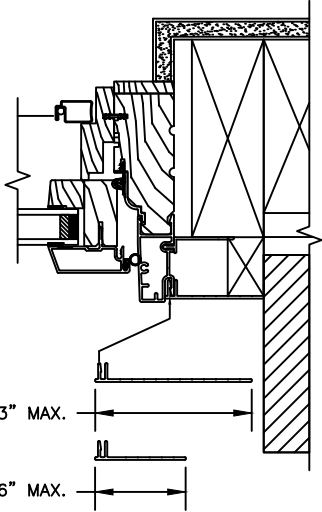
HORIZONTAL MULLION  
 STATIONARY/OPERATOR



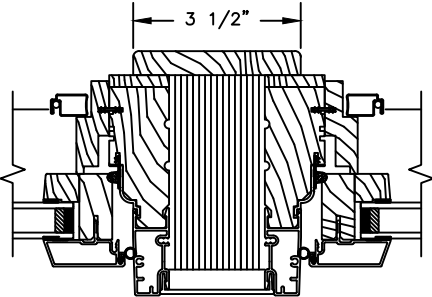
VERTICAL MULLION  
 OPERATOR/PICTURE



VERTICAL MULLION  
 OPERATOR/OPERATOR



1 11/16" MAX.



VERTICAL MULLION WITH  
 2" SPREAD MULL  
 ADDITIONAL WIDTHS INCLUDE:  
 1", 2", 2 1/2", 3", & 4"

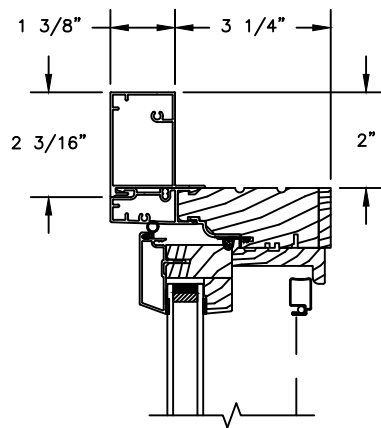
NOTE :  
 FOR INFORMATION ON STRUCTURAL MULLIONS REFER TO  
 THE PRODUCT PERFORMANCE AND INFORMATION SECTION.

# Pinnacle Series

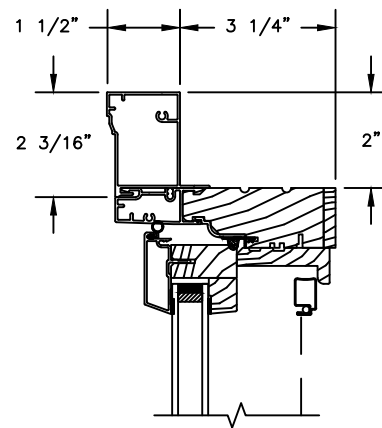
## CLAD CASEMENT - 3 1/4" FRAME

SECTION DETAILS : FLUSH FIN

SCALE: 3" = 1'-0"



HEAD JAMB WITH  
CONTEMPORARY FLUSH FIN

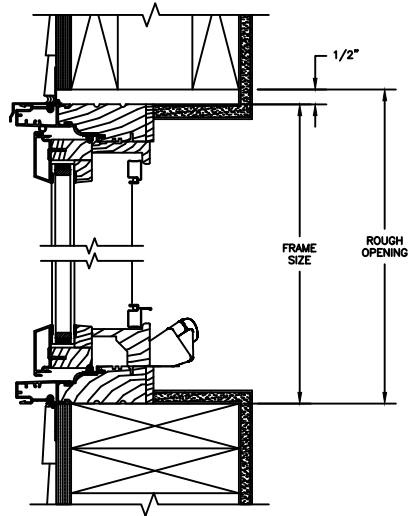


HEAD JAMB WITH  
TRADITIONAL FLUSH FIN

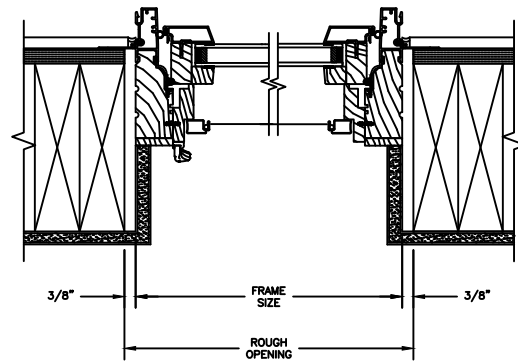
# Pinnacle Series

## CLAD CASEMENT - 3 1/4" FRAME

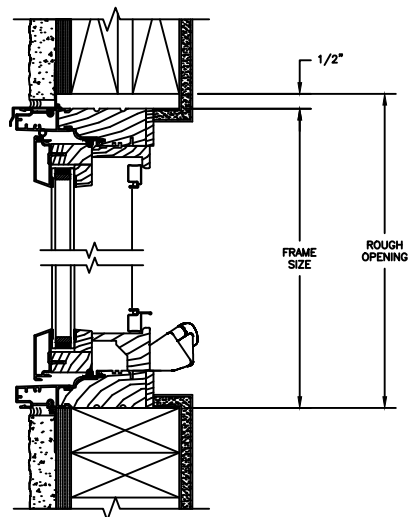
SECTION DETAILS : CONSTRUCTION  
 SCALE: 2" = 1'-0"



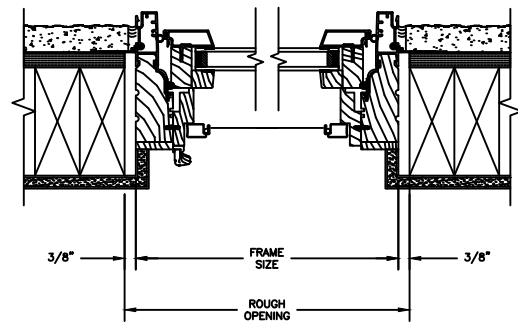
HEAD JAMB & SILL  
 2 X 6 FRAME WITH SIDING



JAMBS  
 2 X 6 FRAME WITH SIDING



HEAD JAMB & SILL  
 2 X 4 FRAME WITH STUCCO



JAMBS  
 2 X 4 FRAME WITH STUCCO

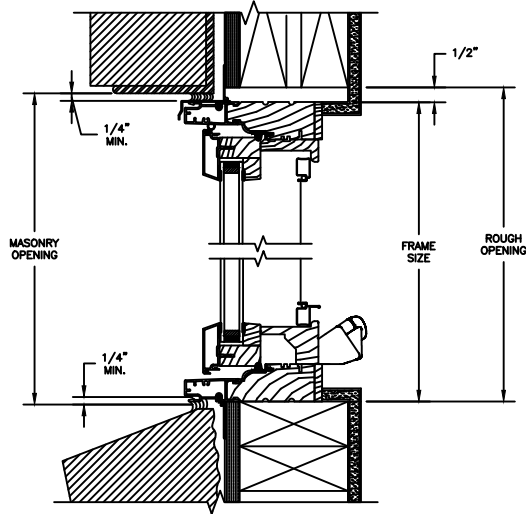
NOTE:  
 THE ABOVE WALL SECTIONS REPRESENT TYPICAL WALL CONDITIONS, THESE DETAILS ARE NOT INTENDED AS INSTALLATIONS INSTRUCTIONS. PLEASE REFER TO THE INSTALLATION INSTRUCTIONS PROVIDED WITH THE PURCHASED UNITS.

# Pinnacle Series

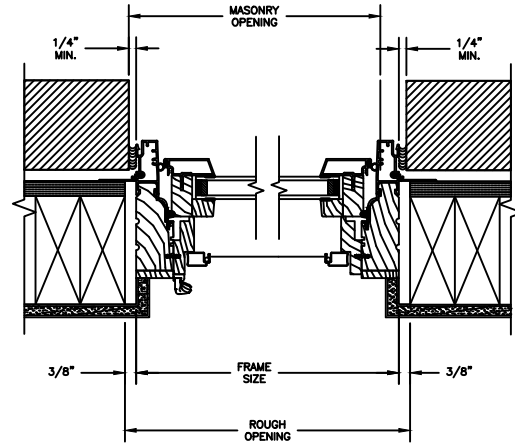
## CLAD CASEMENT - 3 1/4" FRAME

SECTION DETAILS : CONSTRUCTION

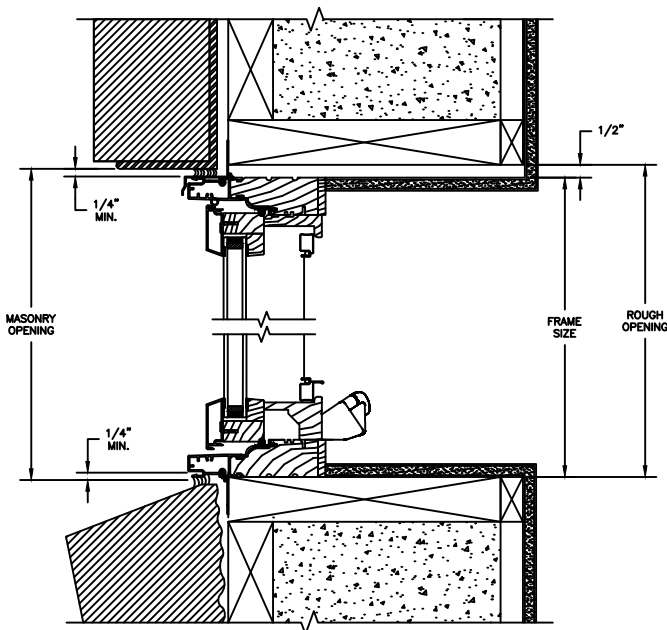
SCALE: 2" = 1'-0"



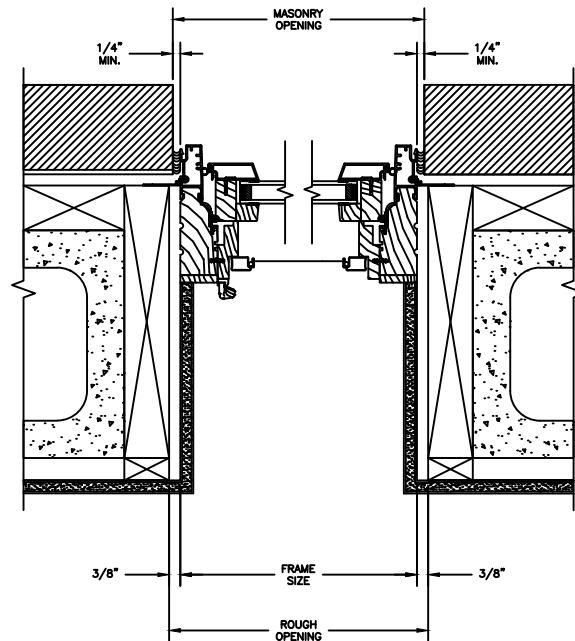
HEAD JAMB & SILL  
2 X 4 FRAME WITH BRICK VENEER



JAMBS  
2 X 4 FRAME WITH BRICK VENEER



HEAD JAMB & SILL  
8" CONCRETE BLOCK WALL  
WITH BRICK VENEER



JAMBS  
8" CONCRETE BLOCK WALL  
WITH BRICK VENEER