

Pinnacle Select Series

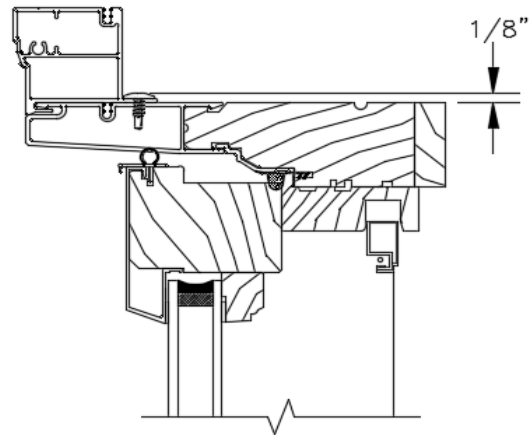
CLAD AWNING

MEASUREMENT CONVERSIONS

STANDARD (NO CASING)												
Size Referenced	Daylite Opening		Glass Size		Frame Size		Rough Opening		Unit Size		Masonry Opening	
Daylite Opening	Dimension Needed											
	Width		+1 1/4"		Width		+6 1/2"		Width		+7 1/4"	
Glass Size	Height		+1 1/4"		Height		+6 1/2"		Height		+7"	
	Width		-1 1/4"		Width		+5 1/4"		Width		+6"	
Frame Size	Height		-1 1/4"		Height		+5 1/4"		Height		+5 3/4"	
	Width		-6 1/2"		Width		-5 1/4"		Width		+3/4"	
Rough Opening	Height		-6 1/2"		Height		-5 1/4"		Height		+0"	
	Width		-7 1/4"		Width		-6"		Width		-3/4"	
Unit Size	Height		-7"		Height		-5 3/4"		Height		-1/2"	
	Width		-6 1/2"		Width		-5 1/4"		Width		-0"	
Masonry Opening	Height		-6 1/2"		Height		-5 1/4"		Height		+3/4"	
	Width		-7 1/4"		Width		-6"		Width		-3/4"	
	Height		-7"		Height		-5 3/4"		Height		-1/2"	
	Width		-6 1/2"		Width		-5 1/4"		Width		-0"	

FRAME TO UNIT ADDERS

WM180 Brickmould	3/8" Subsill	+ 2 13/16	Width
		+ 1 3/4	Height
	1 1/4" Subsill	+ 2 13/16	Width
		+ 2 11/16	Height
	2 1/4" Subsill	+ 2 13/16	Width
		+ 3 11/16	Height
Williamsburg Casing	3/8" Subsill	+ 6 1/2	Width
		+ 3 5/8	Height
	1 1/4" Subsill	+ 6 1/2	Width
		+ 4 1/2	Height
	2 1/4" Subsill	+ 6 1/2	Width
		+ 5 1/2	Height
3 1/2" Flat Casing	3/8" Subsill	+ 5 7/8	Width
		+ 3 5/16	Height
	1 1/4" Subsill	+ 5 7/8	Width
		+ 4 3/16	Height
	2 1/4" Subsill	+ 5 7/8	Width
		+ 5 3/16	Height



NOTE: RIGID NAIL FIN AND ALL CASING OPTIONS ARE APPLIED WITH SCREWS THAT SLIGHTLY PROTRUDE IN TO ROUGH OPENING BY 1/8". THESE SCREWS ARE NOT INCLUDED IN ROUGH OPENING CALCULATIONS.

NOTE: ADD 3/4" TO UNIT WIDTH AND 1/2" TO UNIT HEIGHT TO CALCULATE MASONRY OPENING.