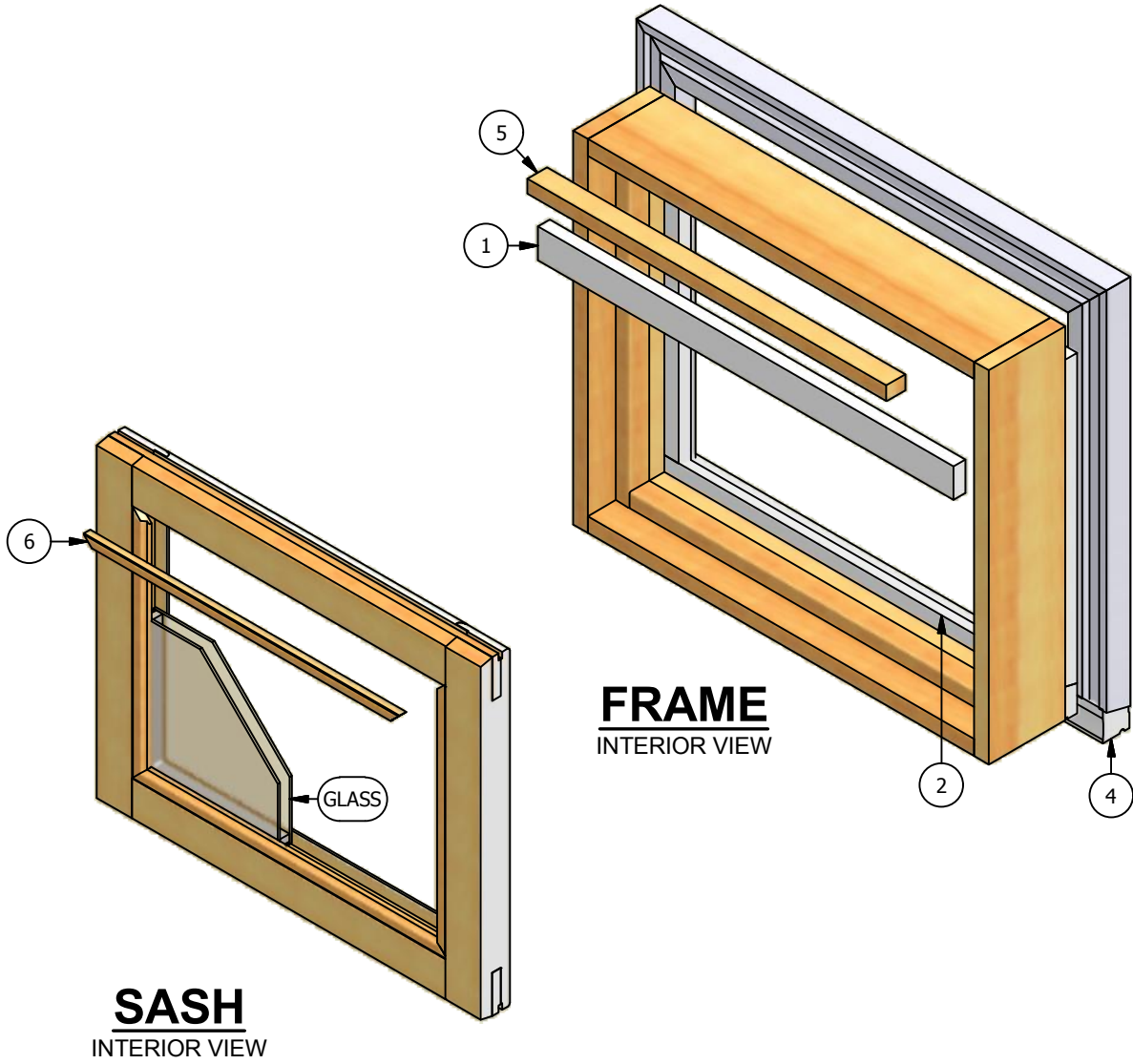




# Pinnacle Series

## Primed Double Hung (Transom)

### Parts Identification





# Pinnacle Series

## Primed Double Hung (Transom)

### Parts Identification

Image	Item #	Description	Color / Finish / Size	Spec	Old	New SAP
	1	Outside Stop (Head & Sides)	12' Lineal Length		2390018	10055170
	2	Sill Outside Stop	12' Lineal Length		2390018	10055170
	3	Exterior Casing (Head & Sides) (See Accessory section for other options)	14' Lineal Length		2390003	10053119
	4	Sill Nose (See Accessory Section for other options)	12' Lineal Length		2380021	10053214
	5	Inside Stop	16' Pine Lineal		2370474	10017310
	6	Ogee Glass Stop	8' Pine Lineal		2381090	10017516
		Glazing Tape 1/16" x 3/16" Double Faced	Black - 216 ft Roll		2381420	10055818
		Contemporary Glass Stop	8' Pine Lineal 8' Alder Lineal 8' Fir Lineal		2922303 2922303-A 2922303-F	10020721 10020722 10057394
		Glazing Tape 1/16" x 3/16" Double Faced	Black - 216 ft Roll		2381420	10055818

Not Shown on Assembly Dwg