

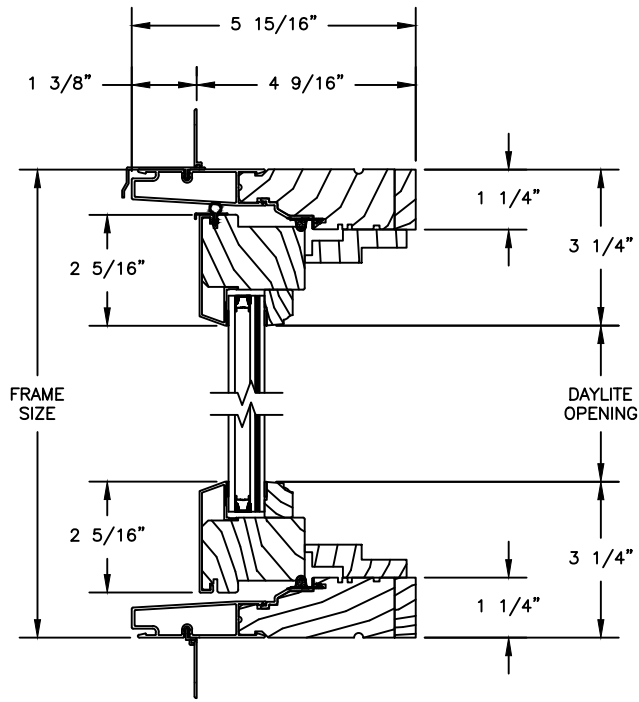
Pinnacle Impact Select Series

CLAD PUSH-OUT AWNING

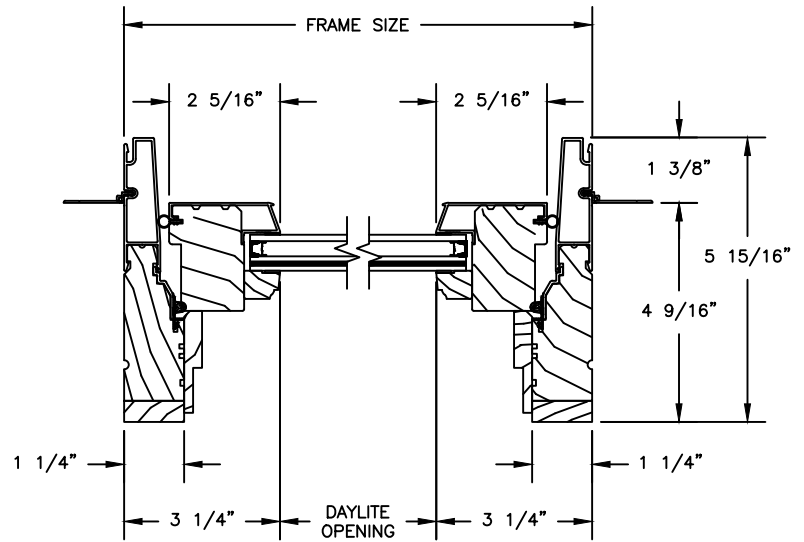
SECTION DETAILS : OPERATING

SCALE: 3" = 1'-0"

PUSH-OUT

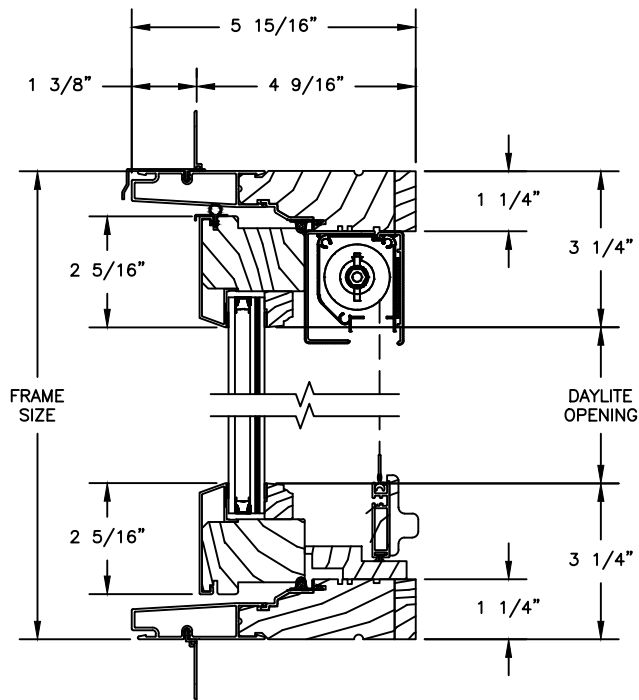


HEAD JAMB & SILL

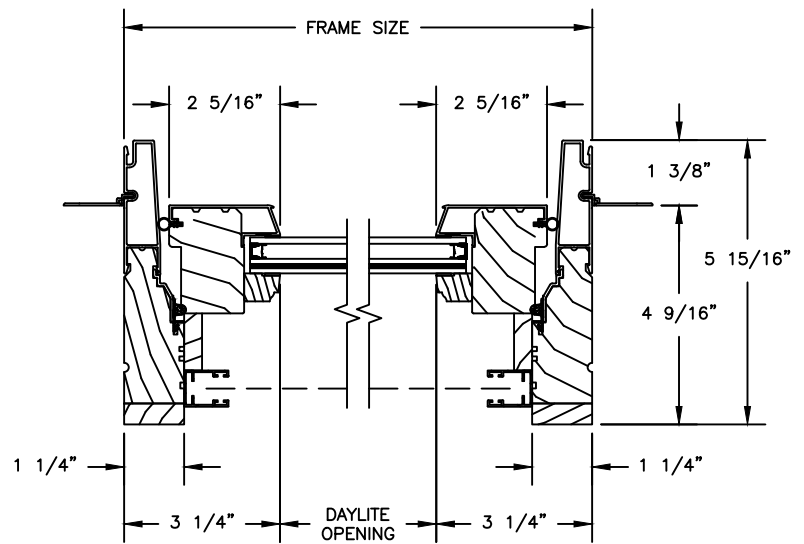


JAMBS

PUSH-OUT WITH RETRACTABLE SCREEN



HEAD JAMB & SILL



JAMBS

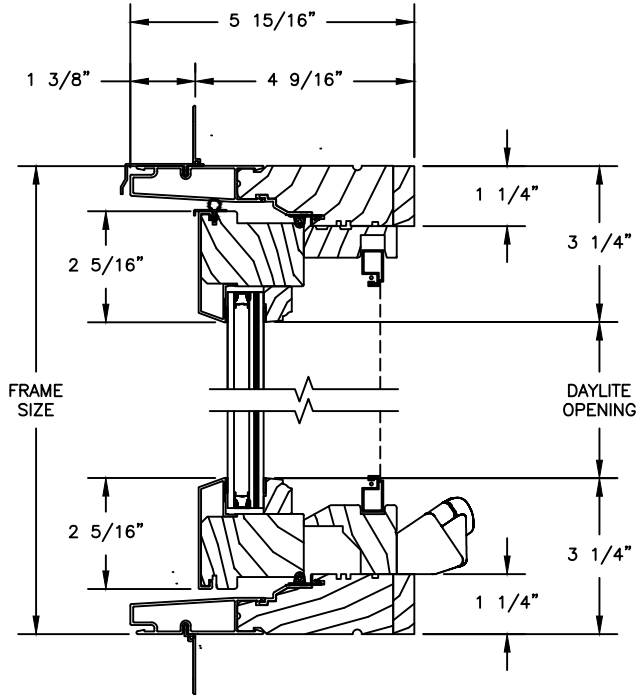
Pinnacle Impact Select Series

CLAD AWNING

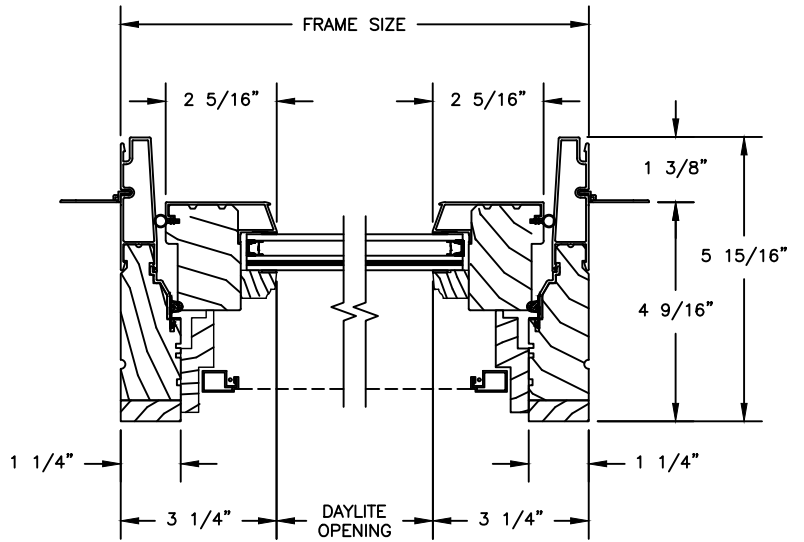
SECTION DETAILS : OPERATING

SCALE: 3" = 1'-0"

OPERATING

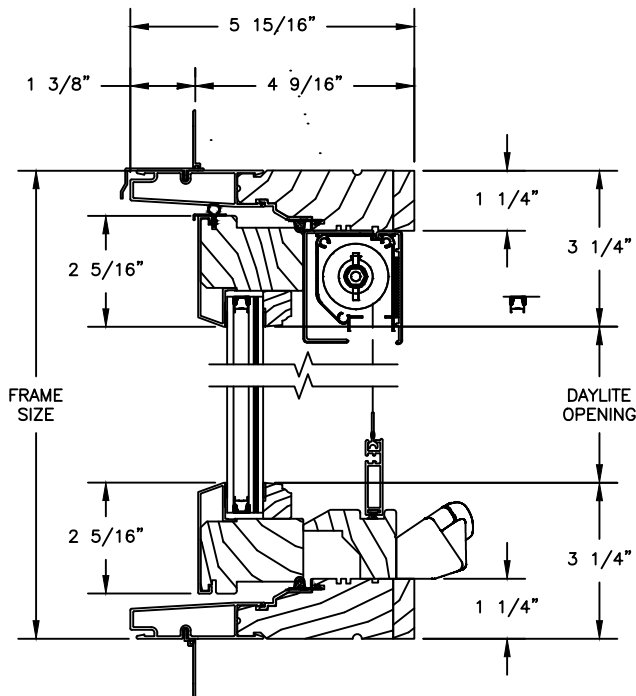


HEAD JAMB & SILL

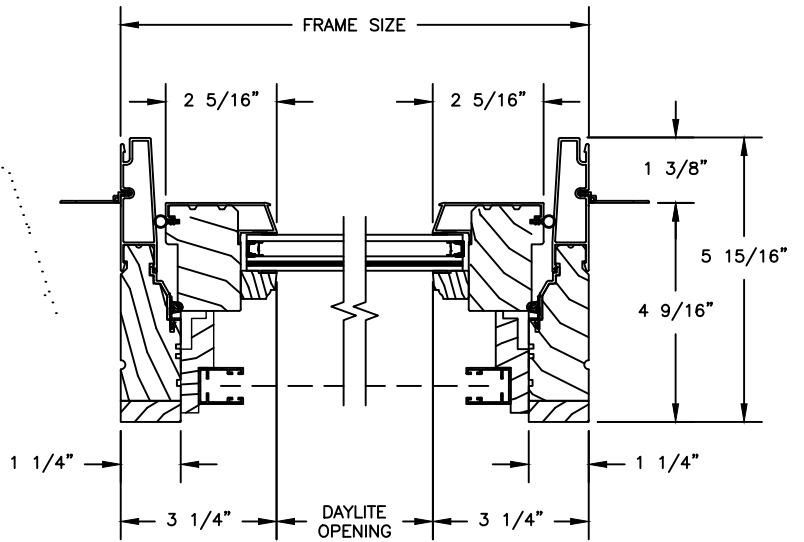


JAMBS

OPERATING WITH RETRACTABLE SCREEN



HEAD JAMB & SILL



JAMBS

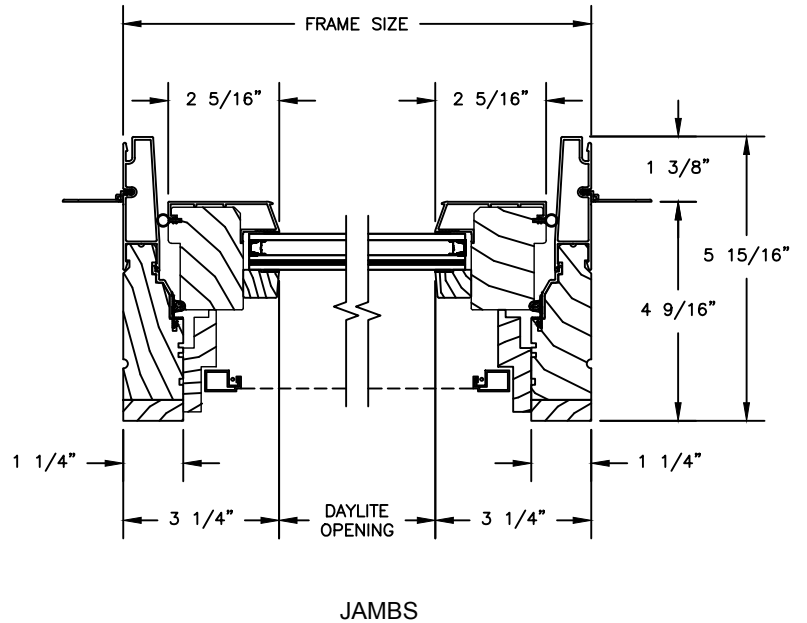
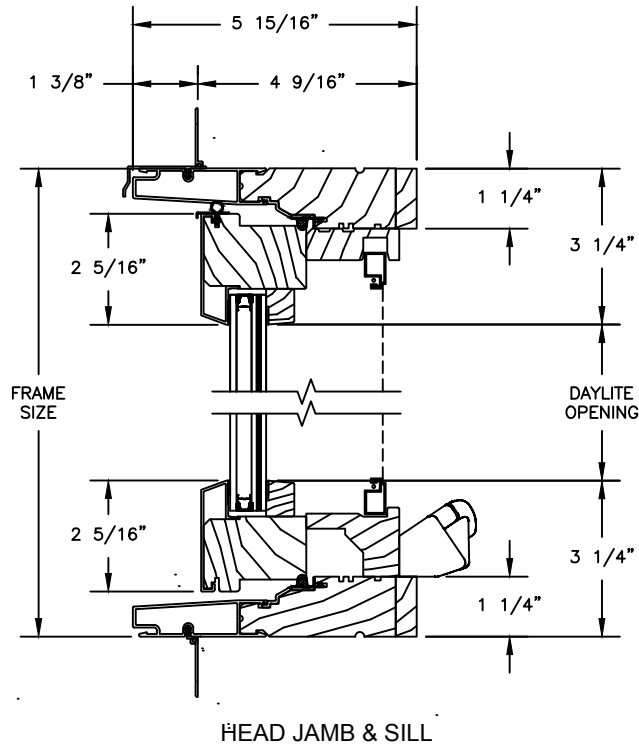
Pinnacle Impact Select Series

CLAD AWNING

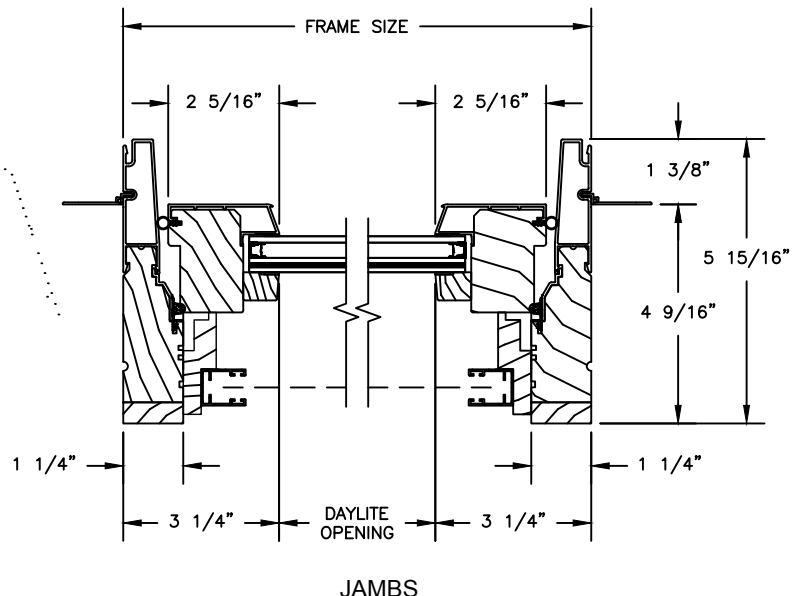
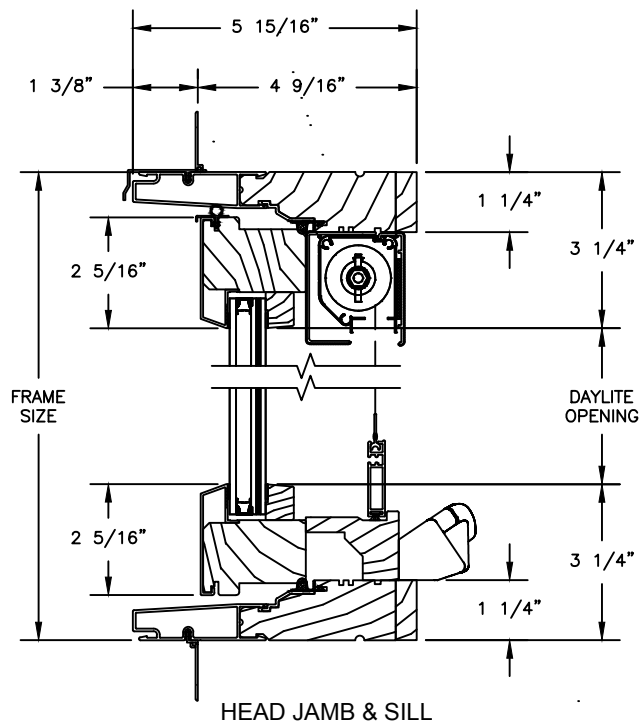
SECTION DETAILS : OPERATING WITH CONTEMPORARY STOPS

SCALE: 3" = 1'-0"

OPERATING



OPERATING WITH RETRACTABLE SCREEN



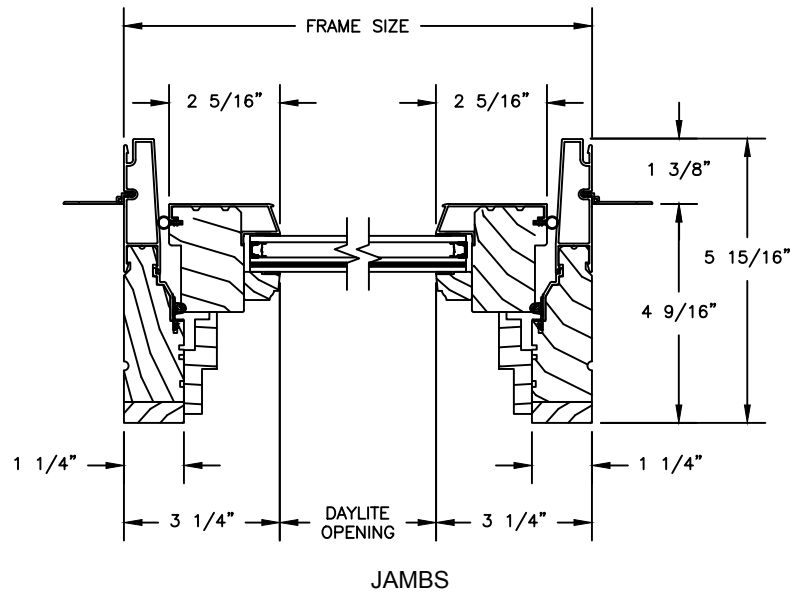
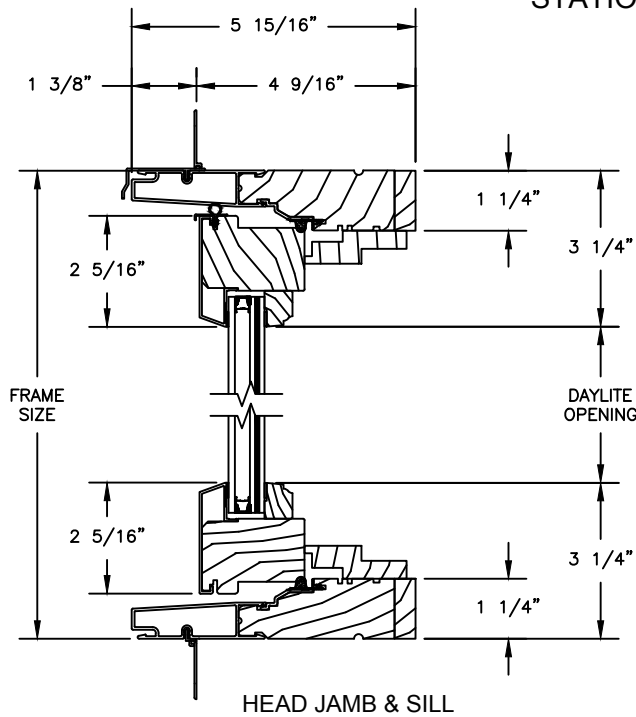
Pinnacle Impact Select Series

CLAD PUSH-OUT AWNING

SECTION DETAILS : STATIONARY / TRANSOM

SCALE: 3" = 1'-0"

STATIONARY / TRANSOM



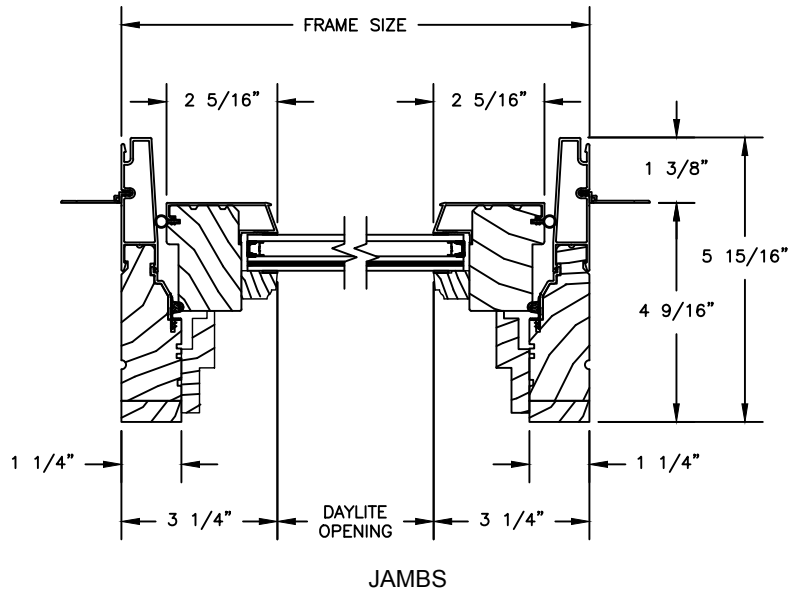
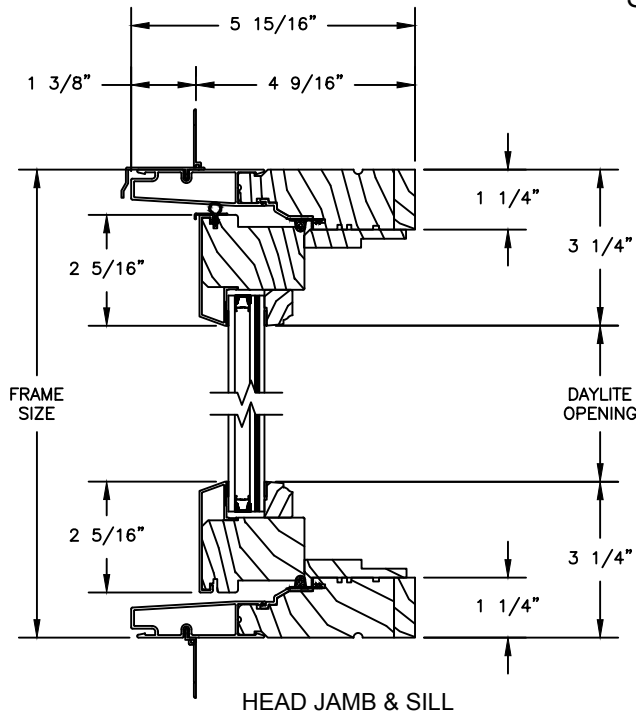
Pinnacle Impact Select Series

CLAD AWNING

SECTION DETAILS : STATIONARY

SCALE: 3" = 1'-0"

STATIONARY



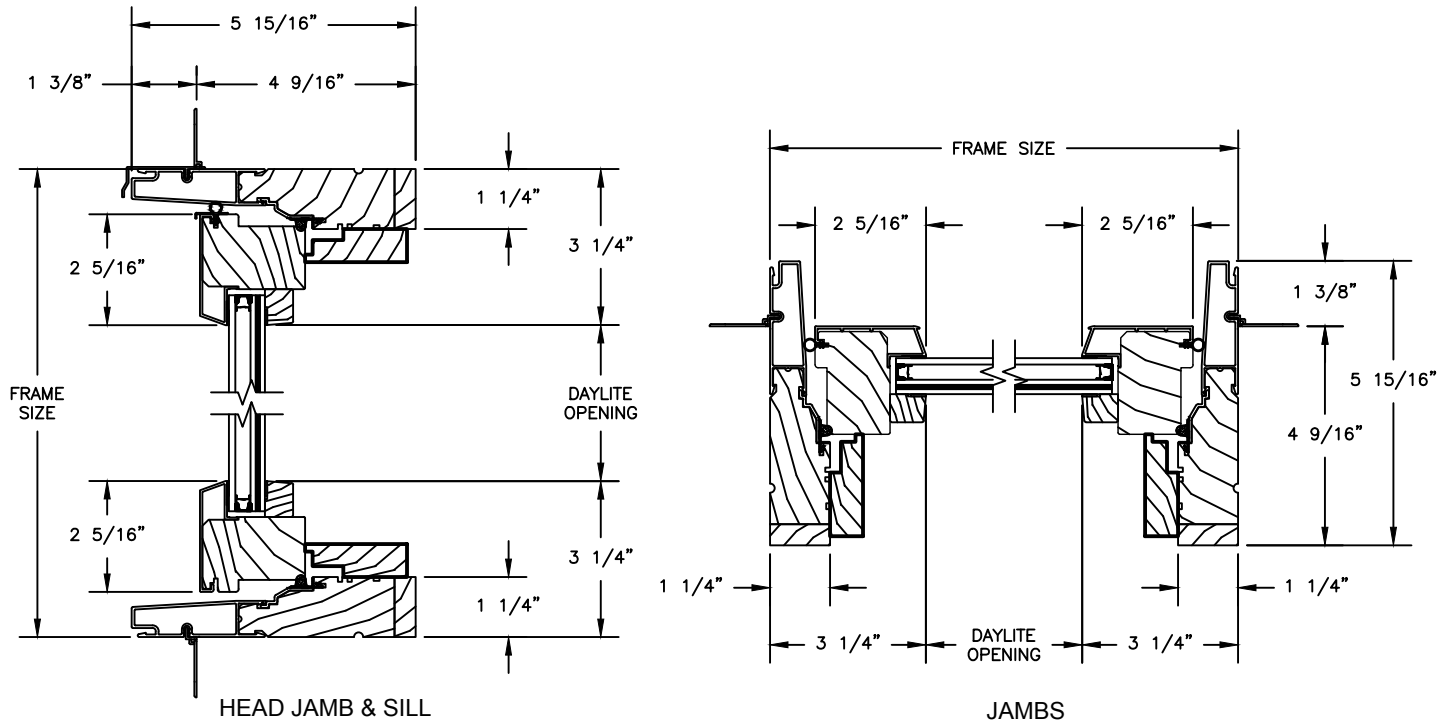
Pinnacle Impact Select Series

CLAD AWNING

SECTION DETAILS : STATIONARY WITH CONTEMPORARY STOPS

SCALE: 3" = 1'-0"

STATIONARY

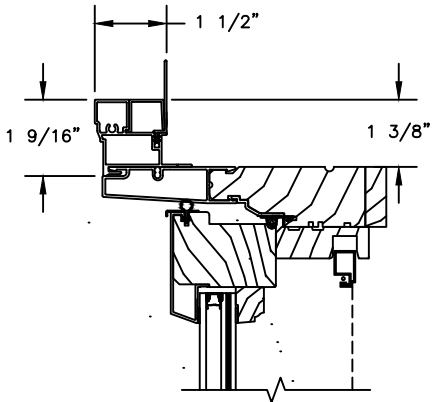


Pinnacle Impact Select Series

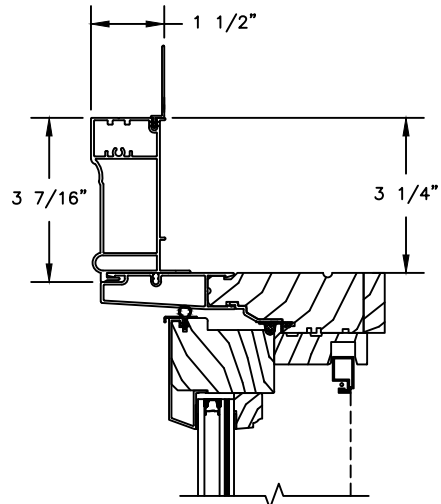
CLAD PUSH-OUT AWNING

SECTION DETAILS : CASING OPTIONS

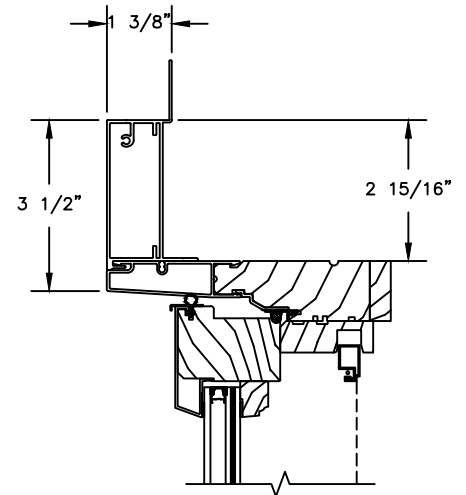
SCALE: 3" = 1'-0"



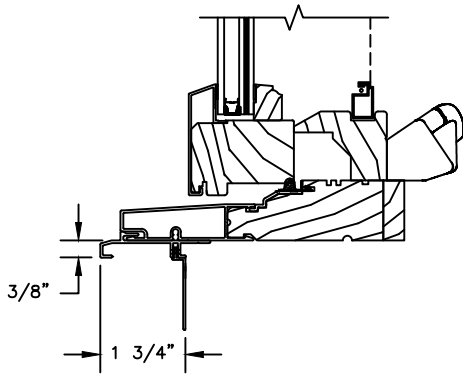
HEAD JAMB WITH
CLAD BRICKMOULD CASING



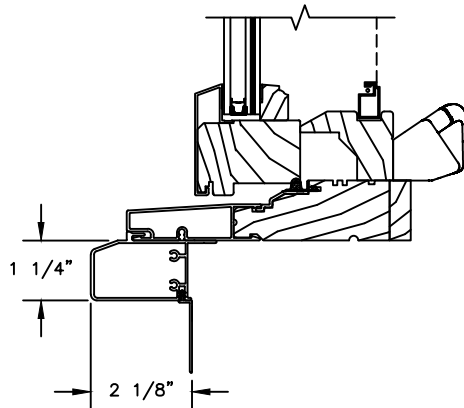
HEAD JAMB WITH
CLAD WILLIAMSBURG CASING



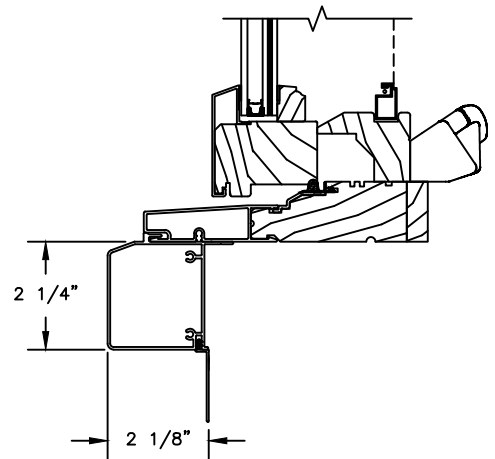
HEAD JAMB WITH
3 1/2" CLAD FLAT CASING



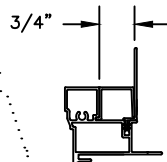
SILL WITH
3/8" CLAD SUBSILL



SILL WITH
1 1/4" CLAD SUBSILL



SILL WITH
2 1/4" CLAD SUBSILL



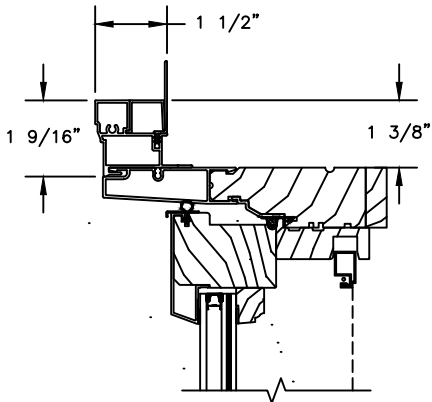
CLAD BRICKMOULD CASING
WITH OPTIONAL J-CHANNEL COVER

Pinnacle Impact Select Series

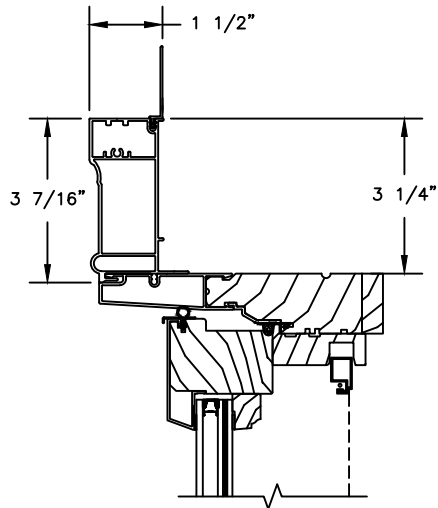
CLAD AWNING

SECTION DETAILS : CASING OPTIONS

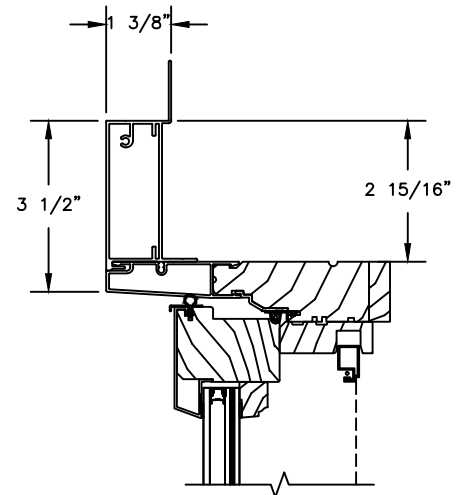
SCALE: 3" = 1'-0"



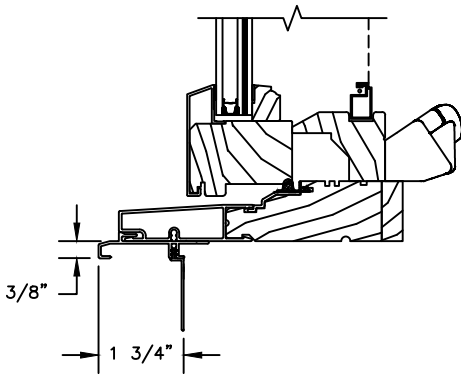
HEAD JAMB WITH
CLAD BRICKMOULD CASING



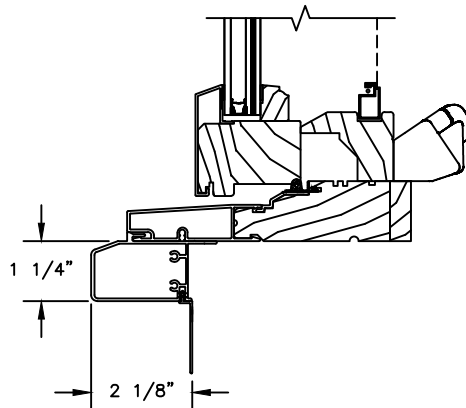
HEAD JAMB WITH
CLAD WILLIAMSBURG CASING



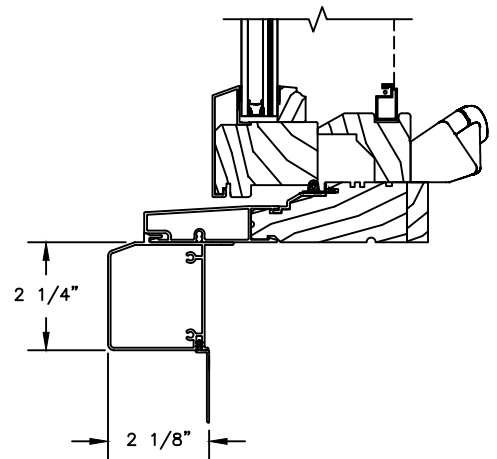
HEAD JAMB WITH
3 1/2\"/>



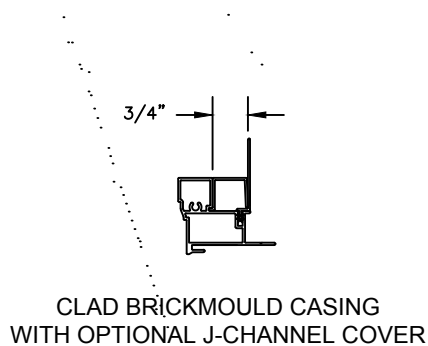
SILL WITH
3/8\"/>



SILL WITH
1 1/4\"/>



SILL WITH
2 1/4\"/>



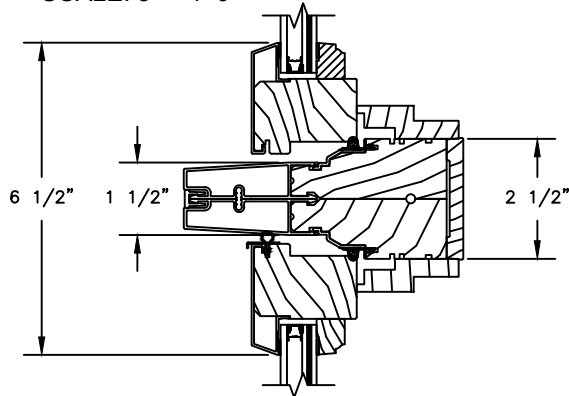
CLAD BRICKMOULD CASING
WITH OPTIONAL J-CHANNEL COVER

Pinnacle Impact Select Series

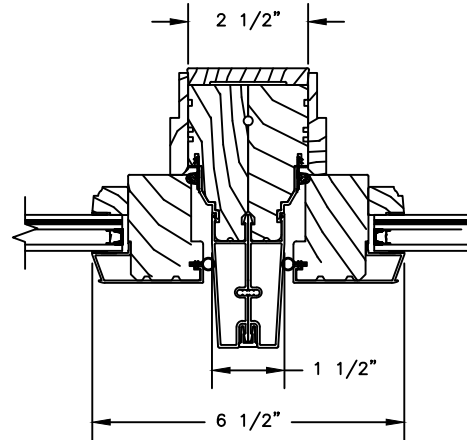
CLAD PUSH-OUT AWNING

SECTION DETAILS : MULLIONS

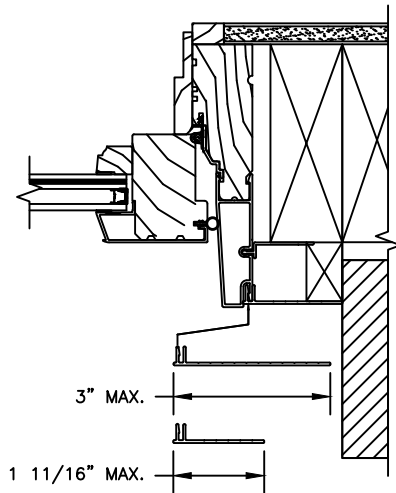
SCALE: 3" = 1'-0"



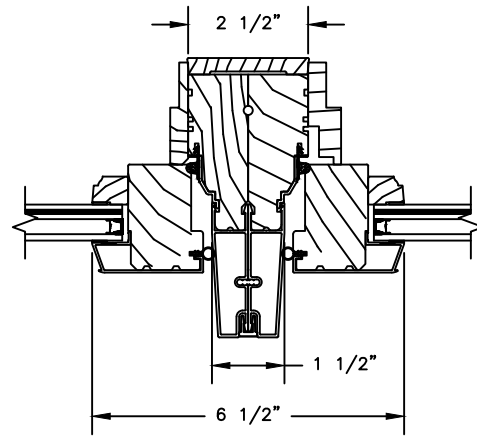
HORIZONTAL MULLION
TRANSOM/OPERATOR



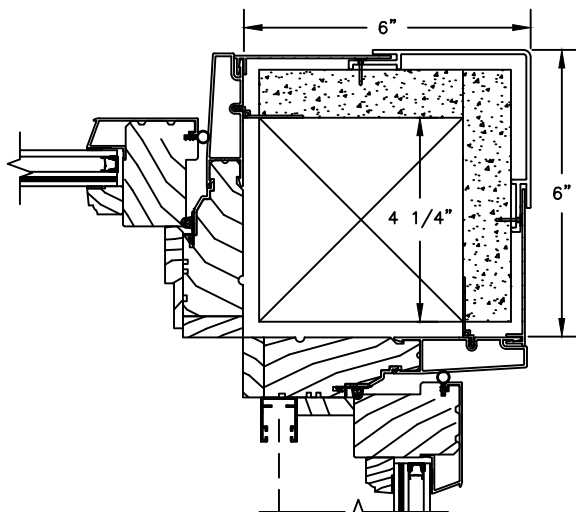
VERTICAL MULLION
OPERATOR/OPERATOR



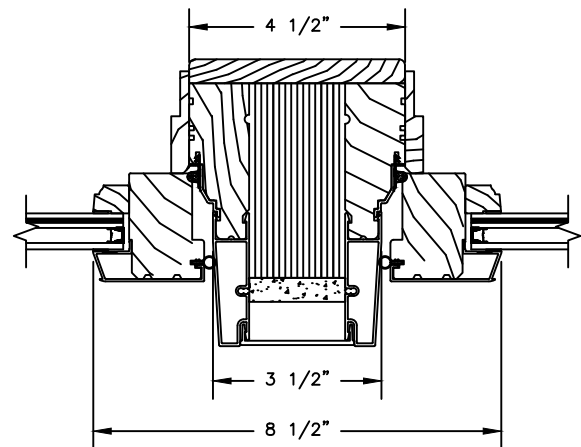
FRAME EXPANDER OPTIONS



VERTICAL MULLION
OPERATOR/STATIONARY



90° MULLION
PUSH OUT/PUSH OUT W/ RETRACTABLE SCREEN
(ONLY USED WITH 4 9/16" JAMB & 3 1/4" FRAME EXPANDER)



VERTICAL MULLION WITH
2" SPREAD MULL
ADDITIONAL WIDTHS INCLUDE:
1", 2", 2 1/2", 3", & 4"

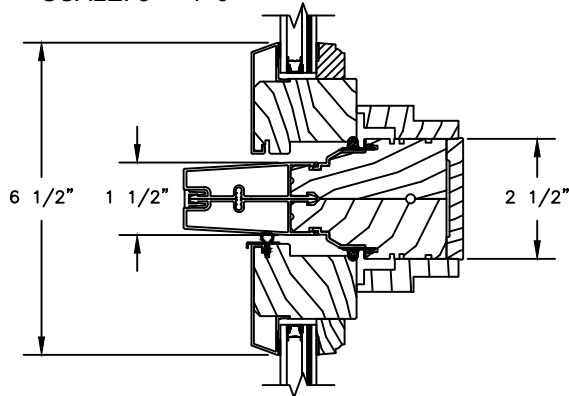
NOTE:
FOR INFORMATION ON STRUCTURAL MULLIONS REFER TO
THE PRODUCT PERFORMANCE AND INFORMATION SECTION.

Pinnacle Impact Select Series

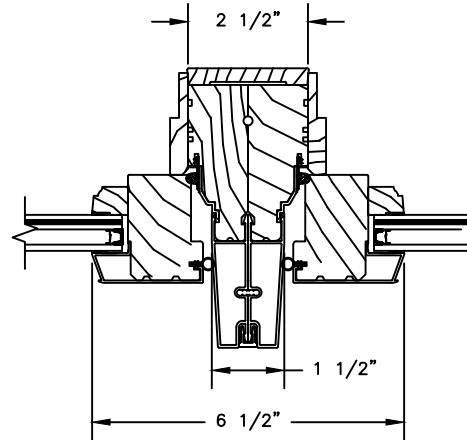
CLAD AWNING

SECTION DETAILS : MULLIONS

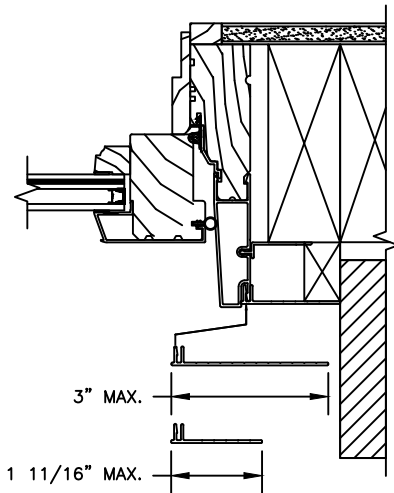
SCALE: 3" = 1'-0"



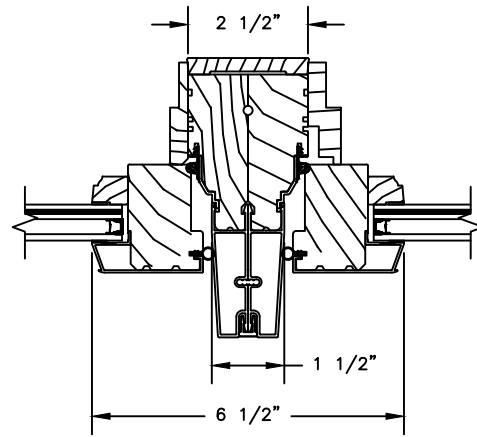
HORIZONTAL MULLION
TRANSOM/OPERATOR



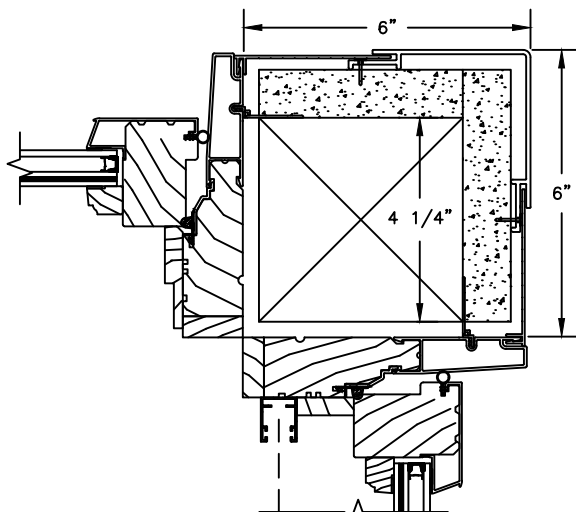
VERTICAL MULLION
OPERATOR/OPERATOR



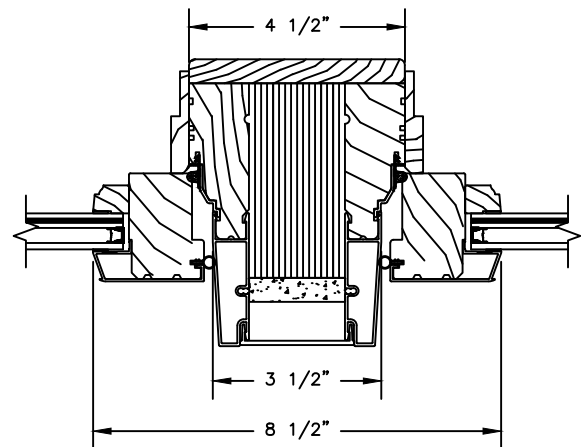
FRAME EXPANDER OPTIONS



VERTICAL MULLION
OPERATOR/STATIONARY



90° MULLION
PUSH OUT/PUSH OUT W/ RETRACTABLE SCREEN
(ONLY USED WITH 4 9/16" JAMB & 3 1/4" FRAME EXPANDER)



VERTICAL MULLION WITH
2" SPREAD MULL
ADDITIONAL WIDTHS INCLUDE:
1", 2", 2 1/2", 3", & 4"

Pinnacle Impact Select Series

CLAD PUSH-OUT AWNING

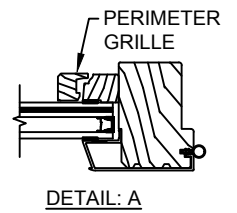
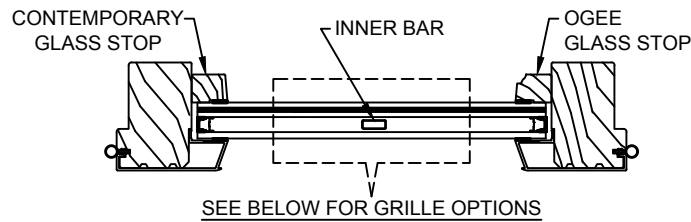
SECTION DETAILS : GLASS STOP & DIVIDED LITE OPTIONS

SCALE: 3" = 1'-0"

AVAILABLE STYLES

-  - PUTTY
-  - TALL PUTTY*
-  - OGEE
-  - CONTEMPORARY
-  - TALL CONTEMPORARY*

*CLAD EXTERIOR BAR ONLY



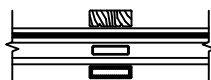
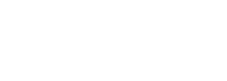
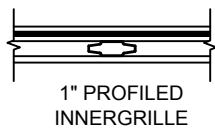
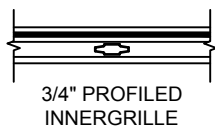
DETAIL: A

5/8" WDL WITH
INNER BAR

7/8" WDL WITH
INNERBAR

1 1/4" WDL WITH
INNERBAR

2" WDL WITH
INNERBAR



NOTE:

* ALL WDL OPTIONS CAN BE ORDERED WITH OR WITHOUT INNER BAR

* PERIMETER GRILLES ONLY AVAILABLE IN THE 7/8" AND 1 1/4" OGEE STYLE GLASS STOP (SEE DETAIL: A)

Pinnacle Impact Select Series

CLAD AWNING

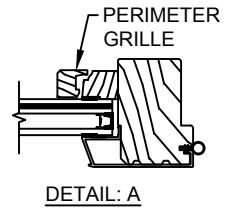
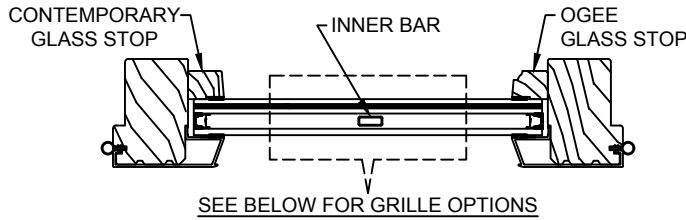
SECTION DETAILS : GLASS STOP & DIVIDED LITE OPTIONS

SCALE: 3" = 1'-0"

AVAILABLE STYLES

-  - PUTTY
-  - TALL PUTTY*
-  - OGEE
-  - CONTEMPORARY
-  - TALL CONTEMPORARY*

*CLAD EXTERIOR BAR ONLY



	5/8" WDL WITH INNER BAR	7/8" WDL WITH INNERBAR	1 1/4" WDL WITH INNERBAR	2" WDL WITH INNERBAR
STANDARD INSULATING GLASS				
13/16" INNERGRILLE				
3/4" PROFILED INNERGRILLE				
1" PROFILED INNERGRILLE				
7/8" STICK & PERIMETER GRILLE				
1 1/4" STICK & PERIMETER GRILLE				

NOTE:

* ALL WDL OPTIONS CAN BE ORDERED WITH OR WITHOUT INNER BAR

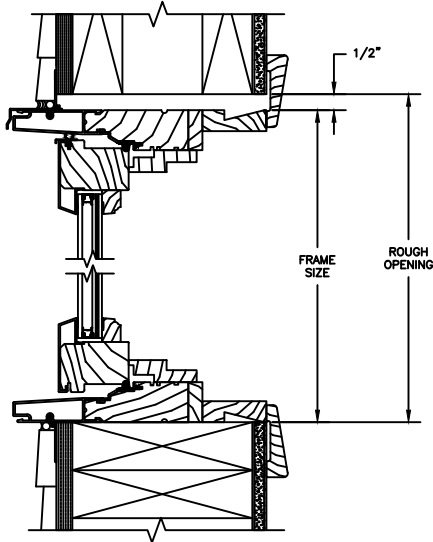
* PERIMETER GRILLES ONLY AVAILABLE IN THE 7/8" AND 1 1/4" OGEE STYLE GLASS STOP (SEE DETAIL: A)

Pinnacle Impact Select Series

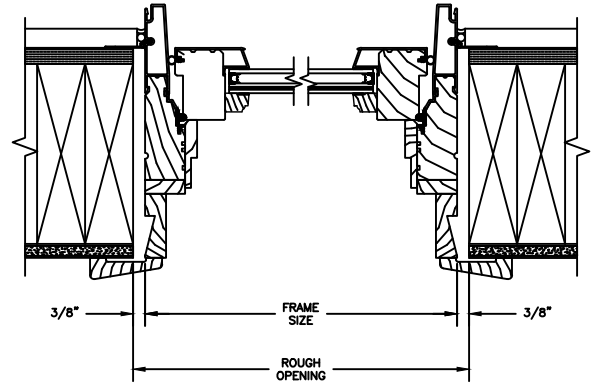
CLAD PUSH-OUT AWNING

SECTION DETAILS : CONSTRUCTION

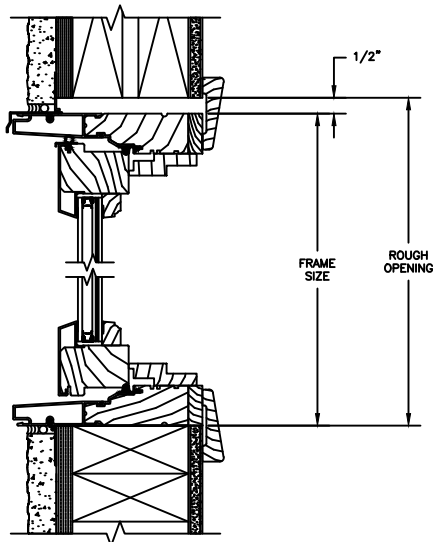
SCALE: 2" = 1'-0"



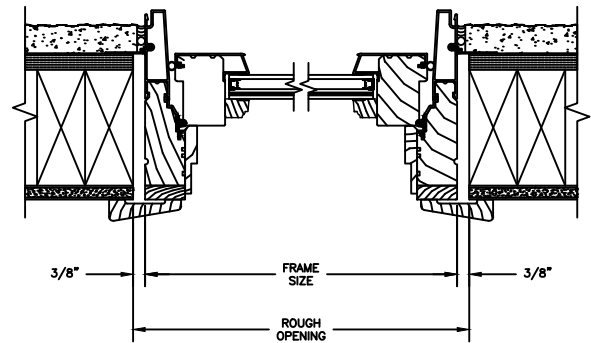
HEAD JAMB & SILL
2 X 6 FRAME WITH SIDING



JAMBS
2 X 6 FRAME WITH SIDING



HEAD JAMB & SILL
2 X 4 FRAME WITH STUCCO



JAMBS
2 X 4 FRAME WITH STUCCO

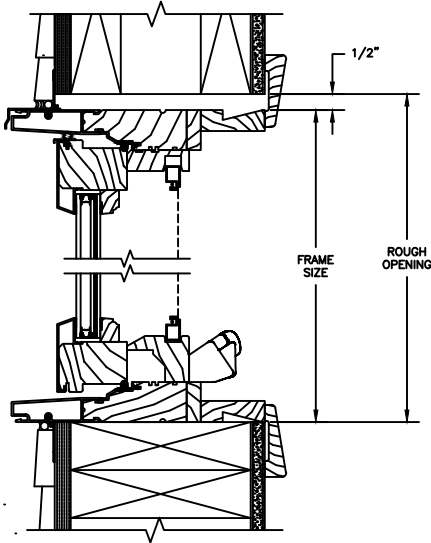
NOTE:
THE ABOVE WALL SECTIONS REPRESENT TYPICAL WALL CONDITIONS. THESE DETAILS ARE NOT INTENDED AS INSTALLATIONS INSTRUCTIONS. PLEASE REFER TO THE INSTALLATION INSTRUCTIONS PROVIDED WITH THE PURCHASED UNITS.

Pinnacle Impact Select Series

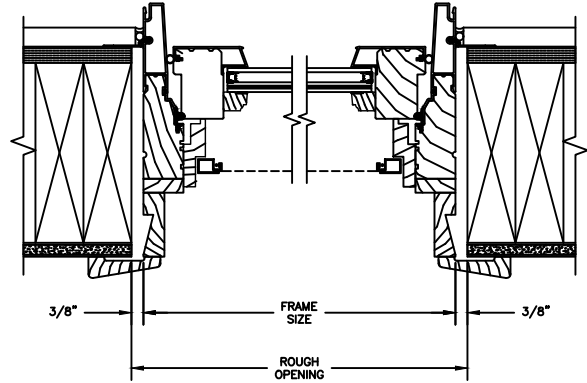
CLAD AWNING

SECTION DETAILS : CONSTRUCTION

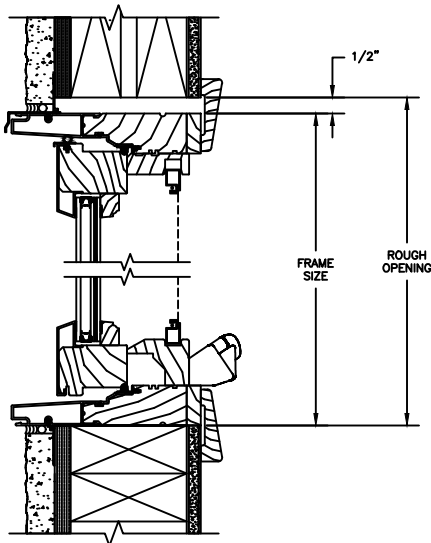
SCALE: 2" = 1'-0"



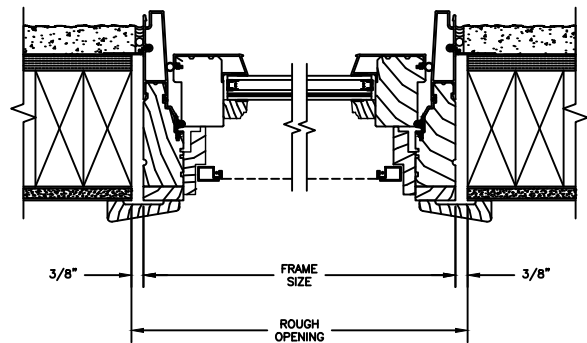
HEAD JAMB & SILL
2 X 6 FRAME WITH SIDING



JAMBS
2 X 6 FRAME WITH SIDING



HEAD JAMB & SILL
2 X 4 FRAME WITH STUCCO



JAMBS
2 X 4 FRAME WITH STUCCO

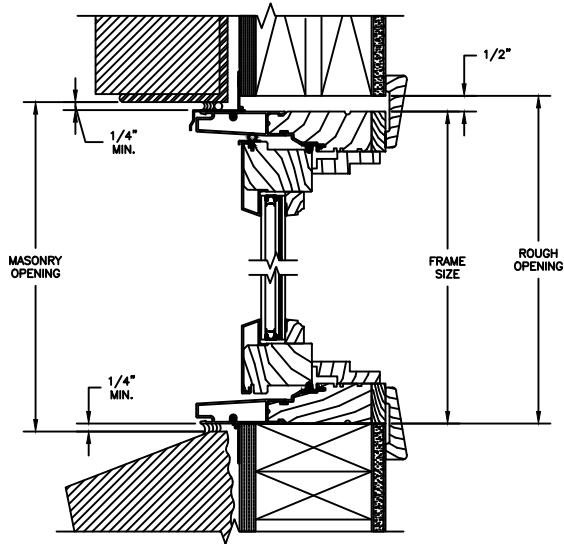
NOTE:
THE ABOVE WALL SECTIONS REPRESENT TYPICAL WALL CONDITIONS, THESE DETAILS ARE NOT INTENDED AS INSTALLATIONS INSTRUCTIONS. PLEASE REFER TO THE INSTALLATION INSTRUCTIONS PROVIDED WITH THE PURCHASED UNITS.

Pinnacle Impact Select Series

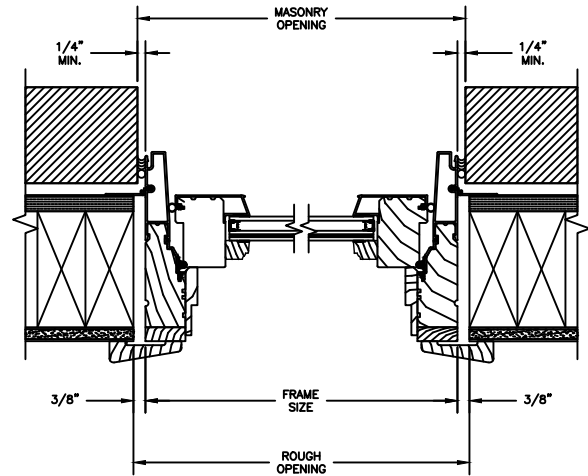
CLAD PUSH-OUT AWNING

SECTION DETAILS : CONSTRUCTION

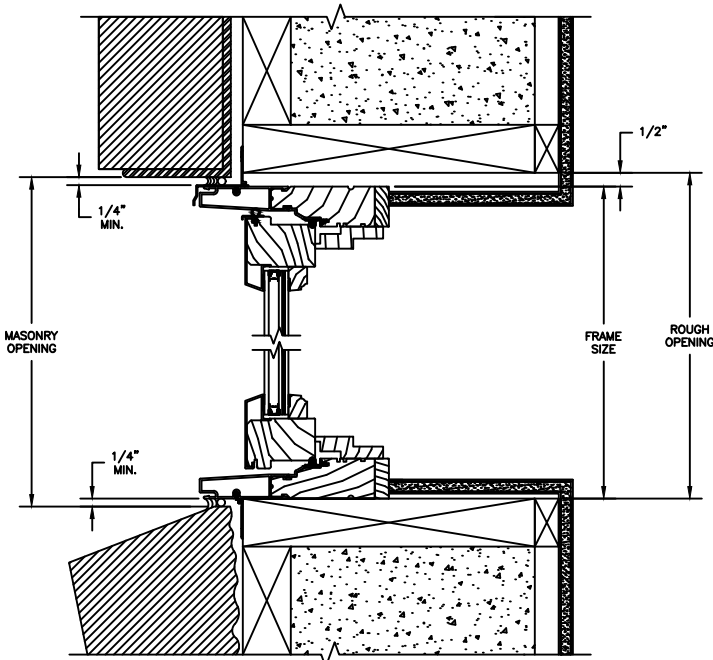
SCALE: 2" = 1'-0"



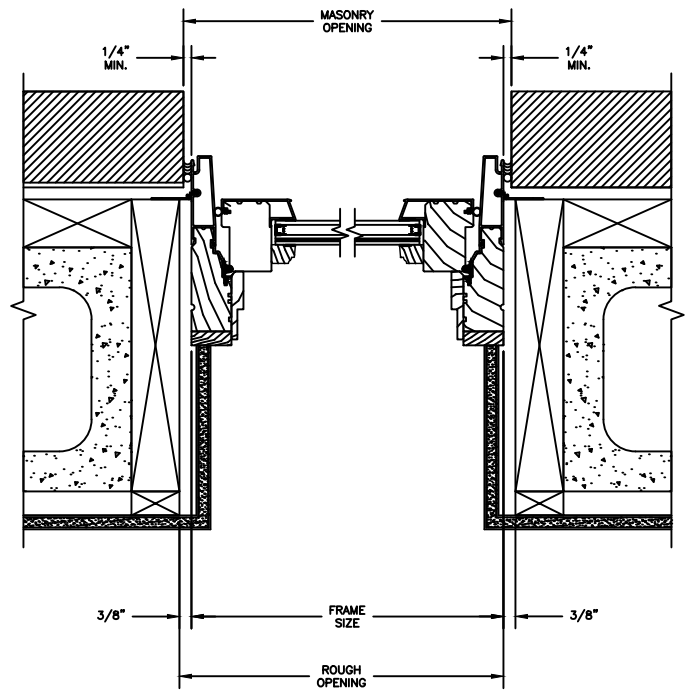
HEAD JAMB & SILL
2 X 4 FRAME WITH BRICK VENEER



JAMBS
2 X 4 FRAME WITH BRICK VENEER



HEAD JAMB & SILL
8" CONCRETE BLOCK WALL
WITH BRICK VENEER



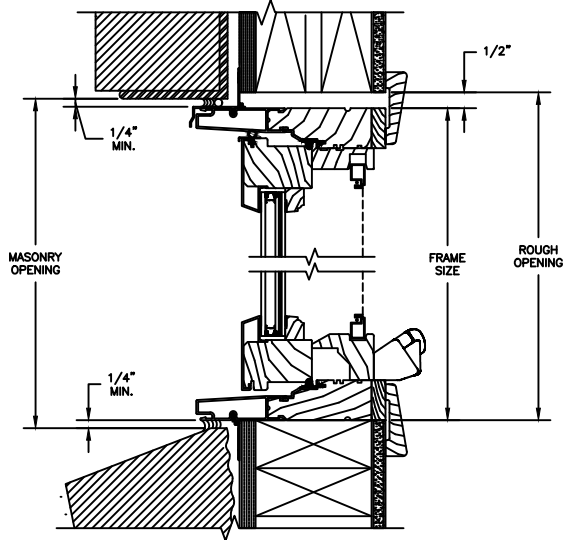
JAMBS
8" CONCRETE BLOCK WALL
WITH BRICK VENEER

Pinnacle Impact Select Series

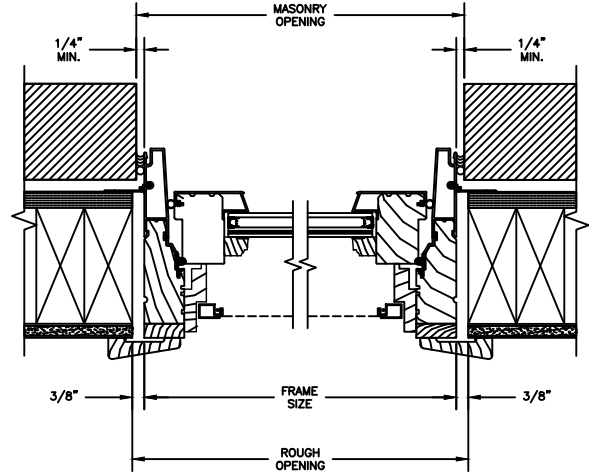
CLAD AWNING

SECTION DETAILS : CONSTRUCTION

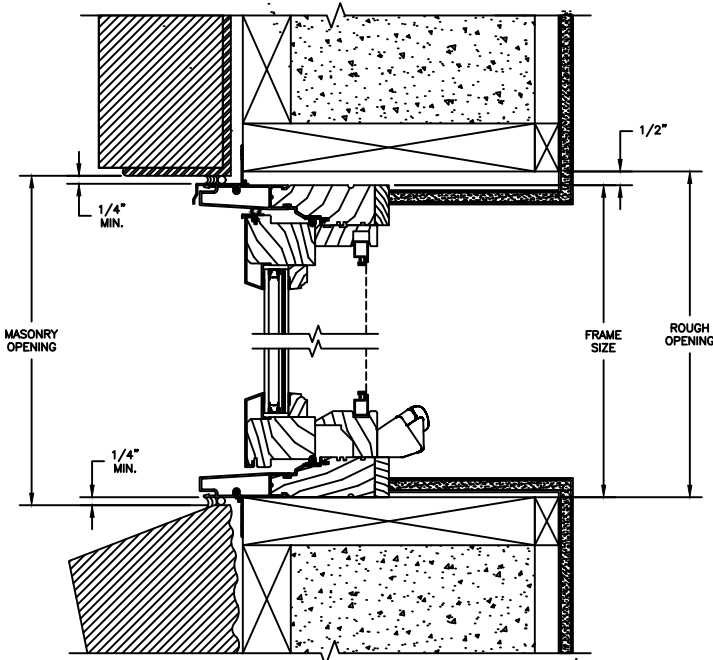
SCALE: 2" = 1'-0"



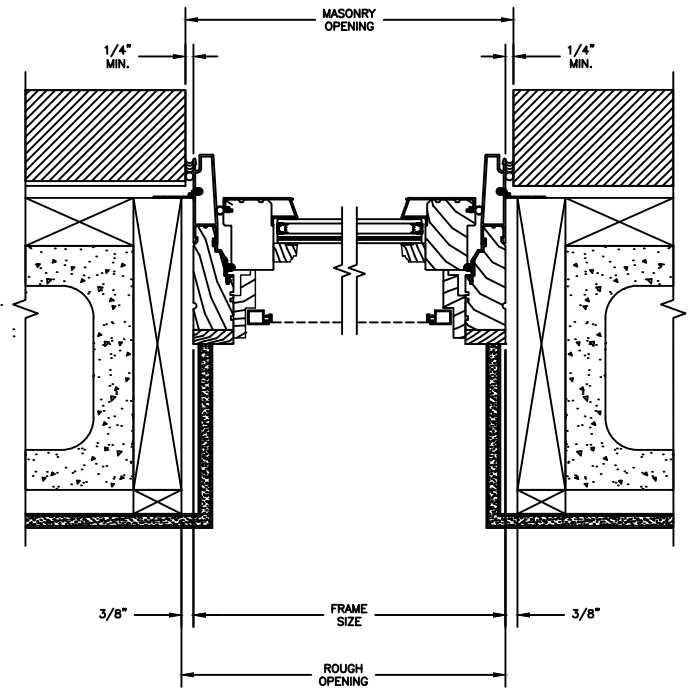
HEAD JAMB & SILL
2 X 4 FRAME WITH BRICK VENEER



JAMBS
2 X 4 FRAME WITH BRICK VENEER



HEAD JAMB & SILL
8" CONCRETE BLOCK WALL
WITH BRICK VENEER



JAMBS
8" CONCRETE BLOCK WALL
WITH BRICK VENEER