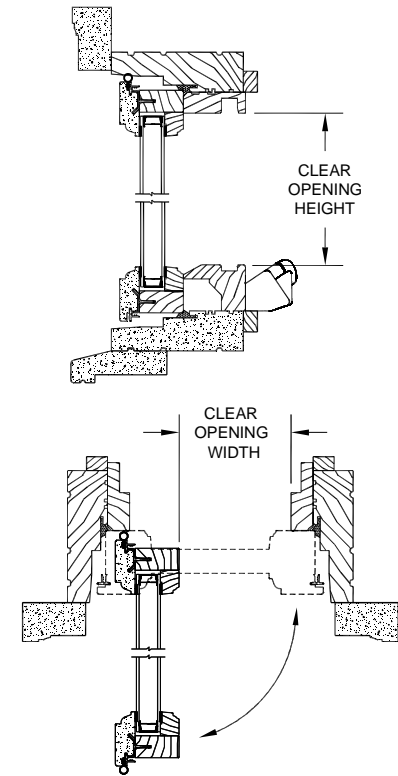


Pinnacle Series

PRIMED CASEMENT

EGRESS, LITE, VENT & SCREEN MEASUREMENTS

| Egress, Lite and Vent Measurements | | | | | | | | | | | | |
|------------------------------------|--------------|-------------|---------------|----------------|-------------|-------------------------|---------------------|--------|--------------|-----------------|-------------|--------|
| Casement | | | | | | | | | | | | |
| Size | Egress Width | | Egress Height | Sq. Ft. Egress | | Egress Code Compliance* | | | Sq. Ft. Vent | Sq. Ft. Daylite | Screen Size | |
| | Std. HRDW | Egress HRDW | | Std. HRDW | Egress HRDW | U.S. | | Canada | | | Width | Height |
| | | | | | | 5.0 ft ² | 5.7 ft ² | | | | | |
| 1420 | 9.25 | | 19.41 | 1.25 | | - | - | - | 1.90 | 1.72 | 14 11/16 | 19 3/4 |
| 1426 | 9.25 | | 25.41 | 1.63 | | - | - | - | 2.49 | 2.26 | 14 11/16 | 25 3/4 |
| 1432 | 9.25 | | 31.41 | 2.02 | | - | - | - | 3.08 | 2.80 | 14 11/16 | 31 3/4 |
| 1438 | 9.25 | | 37.41 | 2.40 | | - | - | - | 3.67 | 3.34 | 14 11/16 | 37 3/4 |
| 1444 | 9.25 | | 43.41 | 2.79 | | - | - | - | 4.26 | 3.88 | 14 11/16 | 43 3/4 |
| 1450 | 9.25 | | 49.41 | 3.17 | | - | - | - | 4.85 | 4.42 | 14 11/16 | 49 3/4 |
| 1456 | 9.25 | | 55.41 | 3.56 | | - | - | - | 5.44 | 4.97 | 14 11/16 | 55 3/4 |
| 1462 | 9.25 | | 61.41 | 3.94 | | - | - | - | 6.02 | 5.51 | 14 11/16 | 61 3/4 |
| 1468 | 9.25 | | 67.41 | 4.33 | | - | - | - | 6.61 | 6.05 | 14 11/16 | 67 3/4 |
| 1474 | 9.25 | | 73.41 | 4.72 | | - | - | - | 7.20 | 6.59 | 14 11/16 | 73 3/4 |
| 1620 | 11.25 | | 19.41 | 1.52 | | - | - | - | 2.20 | 1.92 | 16 11/16 | 19 3/4 |
| 1626 | 11.25 | | 25.41 | 1.99 | | - | - | - | 2.88 | 2.54 | 16 11/16 | 25 3/4 |
| 1632 | 11.25 | | 31.41 | 2.45 | | - | - | - | 3.57 | 3.15 | 16 11/16 | 31 3/4 |
| 1638 | 11.25 | | 37.41 | 2.92 | | - | - | - | 4.25 | 3.76 | 16 11/16 | 37 3/4 |
| 1644 | 11.25 | | 43.41 | 3.39 | | - | - | - | 4.94 | 4.38 | 16 11/16 | 43 3/4 |
| 1650 | 11.25 | | 49.41 | 3.86 | | - | - | - | 5.62 | 4.99 | 16 11/16 | 49 3/4 |
| 1656 | 11.25 | | 55.41 | 4.33 | | - | - | - | 6.31 | 5.61 | 16 11/16 | 55 3/4 |
| 1662 | 11.25 | | 61.41 | 4.80 | | - | - | - | 6.99 | 6.22 | 16 11/16 | 61 3/4 |
| 1668 | 11.25 | | 67.41 | 5.27 | | - | - | - | 7.68 | 6.84 | 16 11/16 | 67 3/4 |
| 1674 | 11.25 | | 73.41 | 5.74 | | - | - | - | 8.36 | 7.45 | 16 11/16 | 73 3/4 |
| 2020 | 15.25 | 17.80 | 19.41 | 2.06 | 2.40 | - | - | - | 2.75 | 2.44 | 20 11/16 | 19 3/4 |
| 2026 | 15.25 | 17.80 | 25.41 | 2.69 | 3.14 | - | - | - | 3.59 | 3.22 | 20 11/16 | 25 3/4 |
| 2032 | 15.25 | 17.80 | 31.41 | 3.33 | 3.88 | - | - | E | 4.44 | 4.00 | 20 11/16 | 31 3/4 |
| 2038 | 15.25 | 17.80 | 37.41 | 3.96 | 4.62 | - | - | S | 5.29 | 4.79 | 20 11/16 | 37 3/4 |
| 2044 | 15.25 | 17.80 | 43.41 | 4.60 | 5.37 | - | - | S | 6.14 | 5.57 | 20 11/16 | 43 3/4 |
| 2050 | 15.25 | 17.80 | 49.41 | 5.23 | 6.11 | - | - | S | 6.99 | 6.35 | 20 11/16 | 49 3/4 |
| 2056 | 15.25 | 17.80 | 55.41 | 5.87 | 6.85 | - | - | S | 7.84 | 7.13 | 20 11/16 | 55 3/4 |
| 2062 | 15.25 | 17.80 | 61.41 | 6.50 | 7.59 | - | - | S | 8.69 | 7.91 | 20 11/16 | 61 3/4 |
| 2068 | 15.25 | 17.80 | 67.41 | 7.14 | 8.33 | - | - | S | 9.54 | 8.69 | 20 11/16 | 67 3/4 |
| 2074 | 15.25 | 17.80 | 73.41 | 7.77 | 9.07 | - | - | S | 10.39 | 9.47 | 20 11/16 | 73 3/4 |
| 2420 | 19.25 | 21.80 | 19.41 | 2.59 | 2.94 | - | - | - | 3.28 | 2.96 | 24 11/16 | 19 3/4 |
| 2426 | 19.25 | 21.80 | 25.41 | 3.40 | 3.85 | - | - | E | 4.30 | 3.91 | 24 11/16 | 25 3/4 |
| 2432 | 19.25 | 21.80 | 31.41 | 4.20 | 4.76 | - | - | S | 5.32 | 4.86 | 24 11/16 | 31 3/4 |
| 2438 | 19.25 | 21.80 | 37.41 | 5.00 | 5.66 | E | - | S | 6.33 | 5.81 | 24 11/16 | 37 3/4 |
| 2444 | 19.25 | 21.80 | 43.41 | 5.80 | 6.57 | E | E | S | 7.35 | 6.75 | 24 11/16 | 43 3/4 |
| 2450 | 19.25 | 21.80 | 49.41 | 6.61 | 7.48 | E | E | S | 8.36 | 7.70 | 24 11/16 | 49 3/4 |
| 2456 | 19.25 | 21.80 | 55.41 | 7.41 | 8.39 | E | E | S | 9.38 | 8.65 | 24 11/16 | 55 3/4 |
| 2462 | 19.25 | 21.80 | 61.41 | 8.21 | 9.30 | E | E | S | 10.39 | 9.60 | 24 11/16 | 61 3/4 |
| 2468 | 19.25 | 21.80 | 67.41 | 9.01 | 10.21 | E | E | S | 11.41 | 10.55 | 24 11/16 | 67 3/4 |
| 2474 | 19.25 | 21.80 | 73.41 | 9.81 | 11.11 | E | E | S | 12.43 | 11.49 | 24 11/16 | 73 3/4 |
| 2620 | 21.25 | 23.80 | 19.41 | 2.86 | 3.21 | - | - | - | 3.55 | 3.22 | 26 11/16 | 19 3/4 |
| 2626 | 21.25 | 23.80 | 25.41 | 3.75 | 4.20 | - | - | E | 4.65 | 4.25 | 26 11/16 | 25 3/4 |
| 2632 | 21.25 | 23.80 | 31.41 | 4.64 | 5.19 | E | - | S | 5.75 | 5.29 | 26 11/16 | 31 3/4 |
| 2638 | 21.25 | 23.80 | 37.41 | 5.52 | 6.18 | S | E | S | 6.85 | 6.32 | 26 11/16 | 37 3/4 |
| 2644 | 21.25 | 23.80 | 43.41 | 6.41 | 7.17 | S | S | S | 7.95 | 7.35 | 26 11/16 | 43 3/4 |
| 2650 | 21.25 | 23.80 | 49.41 | 7.29 | 8.17 | S | S | S | 9.05 | 8.38 | 26 11/16 | 49 3/4 |
| 2656 | 21.25 | 23.80 | 55.41 | 8.18 | 9.16 | S | S | S | 10.15 | 9.41 | 26 11/16 | 55 3/4 |
| 2662 | 21.25 | 23.80 | 61.41 | 9.06 | 10.15 | S | S | S | 11.25 | 10.44 | 26 11/16 | 61 3/4 |
| 2668 | 21.25 | 23.80 | 67.41 | 9.95 | 11.14 | S | S | S | 12.35 | 11.47 | 26 11/16 | 67 3/4 |
| 3220 | 27.25 | 29.80 | 19.41 | 3.67 | 4.02 | - | - | E | 4.32 | 4.09 | 32 11/16 | 19 3/4 |
| 3226 | 27.25 | 29.80 | 25.41 | 4.81 | 5.26 | E | - | S | 5.66 | 5.38 | 32 11/16 | 25 3/4 |
| 3232 | 27.25 | 29.80 | 31.41 | 5.94 | 6.50 | S | S | S | 7.06 | 6.57 | 32 11/16 | 31 3/4 |
| 3238 | 27.25 | 29.80 | 37.41 | 7.08 | 7.74 | S | S | S | 8.41 | 7.85 | 32 11/16 | 37 3/4 |
| 3244 | 27.25 | 29.80 | 43.41 | 8.21 | 8.98 | S | S | S | 9.76 | 9.13 | 32 11/16 | 43 3/4 |
| 3250 | 27.25 | 29.80 | 49.41 | 9.35 | 10.23 | S | S | S | 11.11 | 10.41 | 32 11/16 | 49 3/4 |
| 3256 | 27.25 | 29.80 | 55.41 | 10.49 | 11.47 | S | S | S | 12.46 | 11.69 | 32 11/16 | 55 3/4 |
| 3262 | 27.25 | 29.80 | 61.41 | 11.62 | 12.71 | S | S | S | 13.81 | 12.97 | 32 11/16 | 61 3/4 |
| 3268 | 27.25 | 29.80 | 67.41 | 12.76 | 13.95 | S | S | S | 15.15 | 14.25 | 32 11/16 | 67 3/4 |



Egress Conversions

| Standard Hardware | Width | Glass - 4.75" |
|-------------------|--------|---------------|
| | Height | Glass - 0.59" |
| Egress Hardware | Width | Glass - 2.20" |
| | Height | Glass - 0.59" |

* Egress Code Compliance Terminology

- E** Meets Code with Egress Hardware Only
- S** Meets Code with Standard Hardware
- Does Not Meet Code

| Code Requirements | Min Width | Min Height | Min Area (sq.ft.) |
|-------------------|-----------|------------|-------------------|
| U.S. | 20" | 24" | 5.7 |
| U.S. Grade Floor | 20" | 24" | 5.0 |
| Canada | 15" | 15" | 3.77 |