

Pinnacle Series

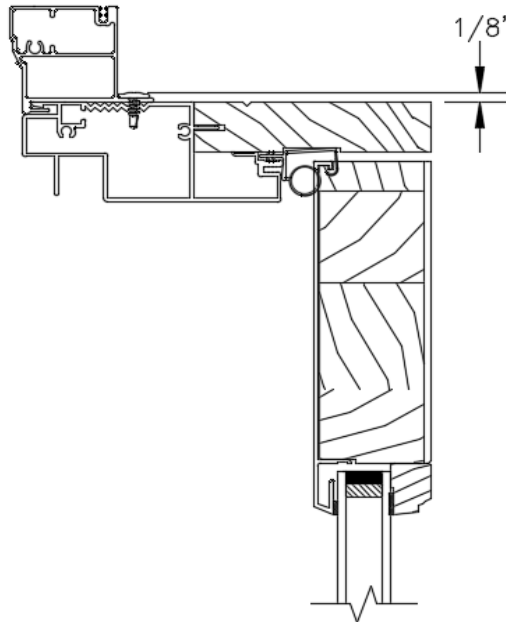
CLAD RADIUS PATIO DOOR - INSWING

MEASUREMENT CONVERSIONS

STANDARD (NO CASING)												
Size Referenced	Daylite Opening		Glass Size		Frame Size		Rough Opening		Unit Size		Masonry Opening	
Daylite Opening	Dimension Needed											
			Width	+ 1 1/4	Width	+ 11 1/2	Width	+ 12 1/4	Width	+ 11 1/2	Width	+ 12 1/4
Glass Size			Height	+ 1 1/4	Height	+ 16 9/16	Height	+ 17 1/16	Height	+ 17 13/16	Height	+ 18 5/16
	Width	- 1 1/4			Width	+ 10 1/4	Width	+ 11	Width	+ 10 1/4	Width	+ 11
Frame Size	Height	- 1 1/4			Height	+ 15 5/16	Height	+ 15 13/16	Height	+ 16 9/16	Height	+ 17 1/16
	Width	- 11 1/2	Width	- 10 1/4			Width	+ 3/4	Width	+ 0	Width	+ 3/4
Rough Opening	Height	- 16 9/16	Height	- 15 5/16			Height	+ 1/2	Height	+ 0	Height	+ 1/2
	Width	- 12 1/4	Width	- 11	Width	- 3/4			Width	- 3/4	Width	+ 0
Unit Size	Height	- 17 1/16	Height	- 15 13/16	Height	- 1/2			Height	- 1/2	Height	+ 0
	Width	- 11 1/2	Width	- 10 1/4	Width	+ 0	Width	+ 3/4			Width	+ 3/4
Masonry Opening	Height	- 17 13/16	Height	- 16 9/16	Height	+ 0	Height	+ 1/2			Height	+ 1/2
	Width	- 12 1/4	Width	- 11	Width	- 3/4	Width	+ 0	Width	- 3/4		
Masonry Opening	Height	- 18 5/16	Height	- 17 1/16	Height	- 1/2	Height	+ 0	Height	- 1/2		

FRAME TO UNIT ADDERS

WM180 Brickmould	+ 2 13/16	Width
	+ 1 13/32	Height
Williamsburg Casing	+ 6 1/2	Width
	+ 3 1/4	Height
3 1/2" Flat Casing	+ 5 7/8	Width
	+ 2 15/16	Height



NOTE: RIGID NAIL FIN AND ALL CASING OPTIONS ARE APPLIED WITH SCREWS THAT SLIGHTLY PROTRUDE INTO ROUGH OPENING BY 1/8". THESE SCREWS ARE NOT INCLUDED IN ROUGH OPENING CALCULATIONS.

NOTE: ADD 3/4" TO UNIT WIDTH AND 1/2" TO UNIT HEIGHT TO CALCULATE MASONRY OPENING.