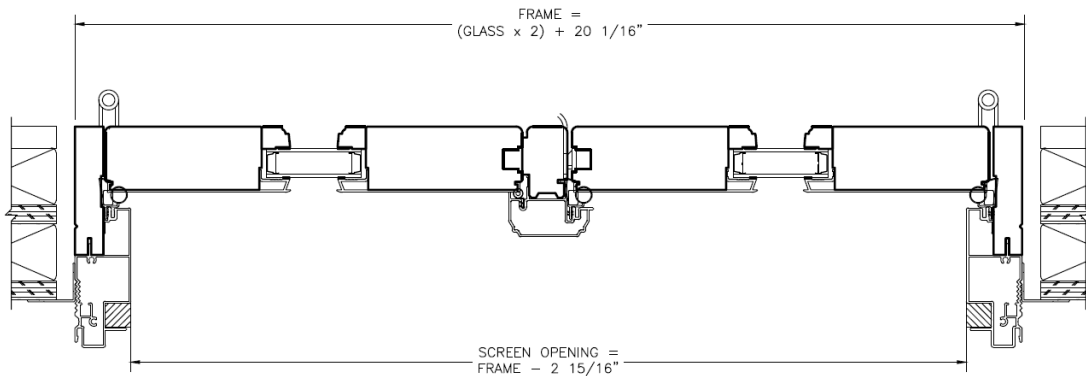


Swinging Screen Measurement Instruction Guide

Pinnacle Clad Inswing Doors

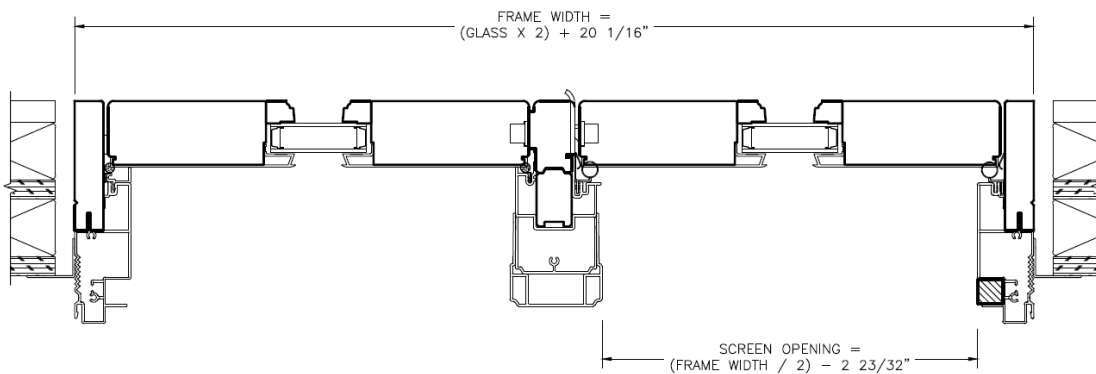
Two-Panel Bi-Hinge Width

Screen Opening Width = Frame Width – 2-15/16”



Two-Panel Stat/Active or Active/Stat Width*

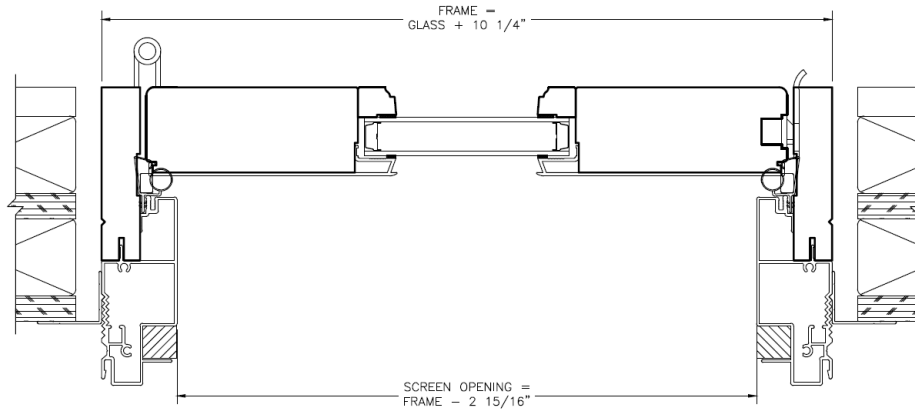
Screen Opening Width – Frame Width / 2 – 2-23/32”



*Requires the addition of a screen astragal adapter kit, see screen astragal adapter instructions on pages 5-6.

One-Panel Active Width

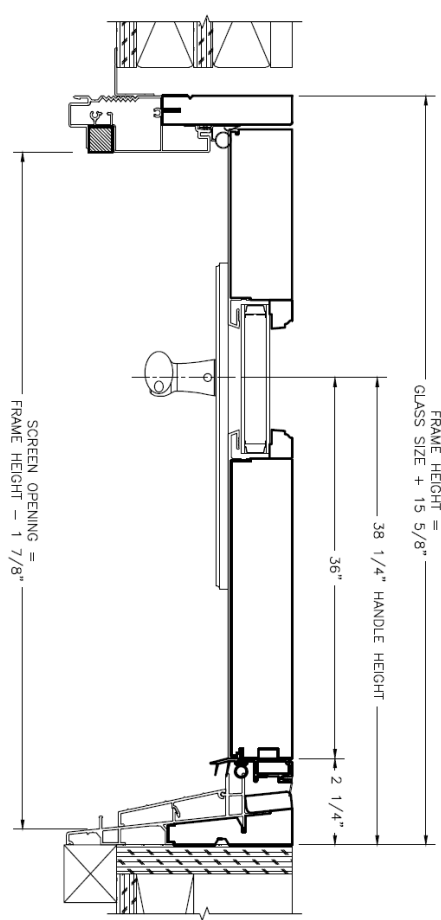
Screen Opening Width = Frame Width – 2-15/16"



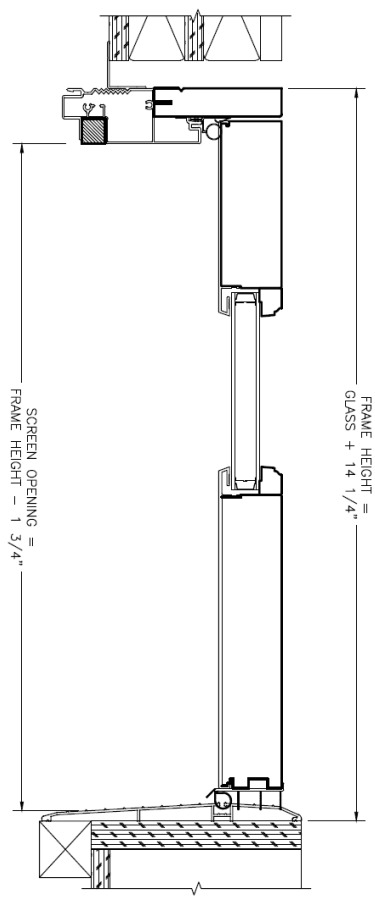
Height

Standard Sill Screen Opening Height = Frame Height – 1-7/8"

Handicap Sill Screen Opening Height – Frame Height – 1-3/4"



Standard Sill

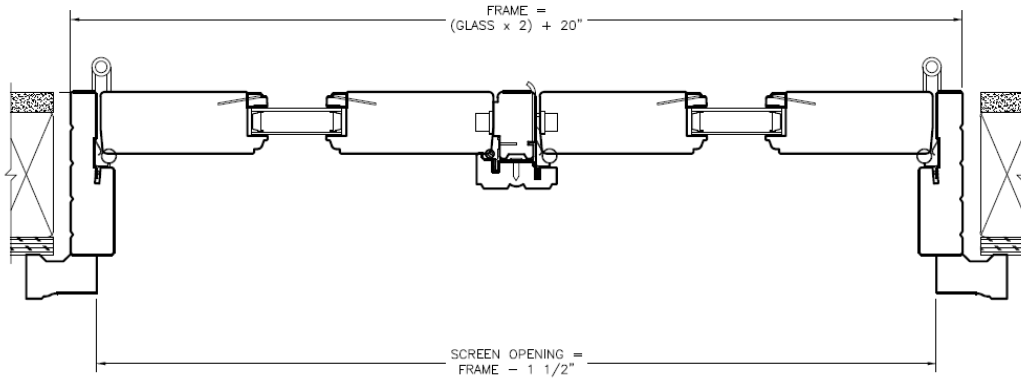


Handicap Sill

Pinnacle Prime and Legend HBR Inswing Doors

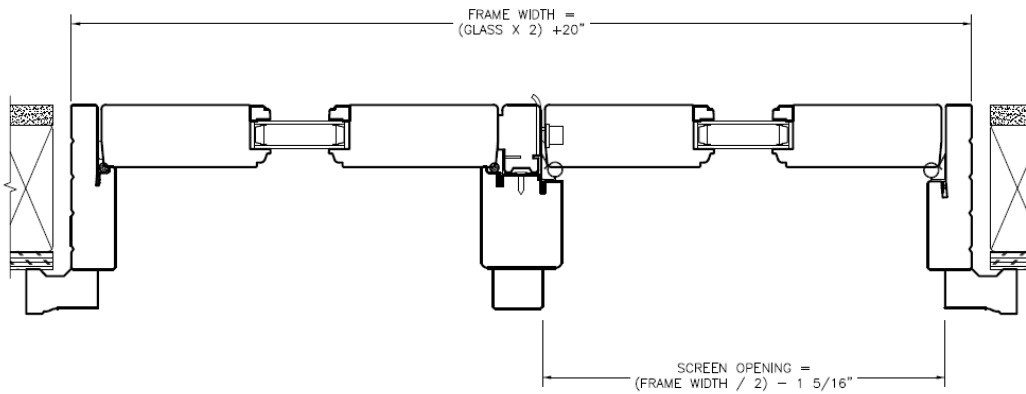
Two-Panel Bi-Hinge Width

Screen Opening Width = Frame Width - 1-1/2"



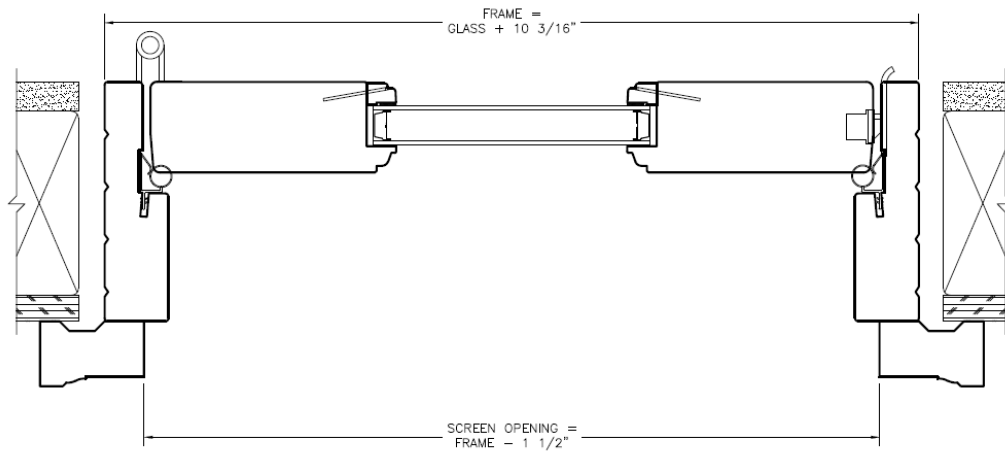
Two-Panel Stat/Active or Active/Stat

Screen Opening Width = Frame Width / 2 - 1-5/16"



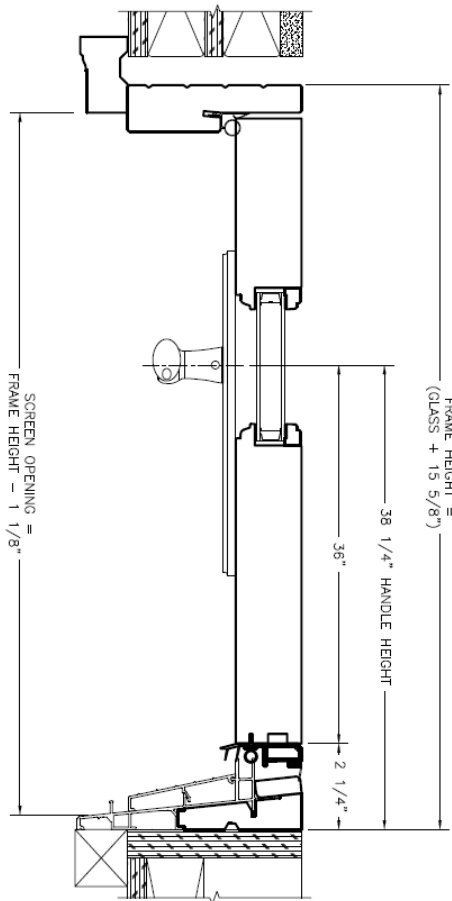
One-Panel Active Width

Screen Opening Width - Frame Width - 1-1/2"

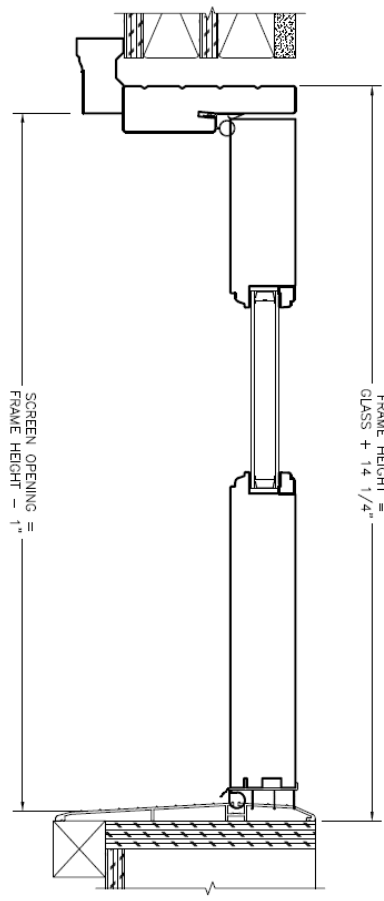


Height

Standard Sill Screen Opening Height = Frame Height –



Standard Sill

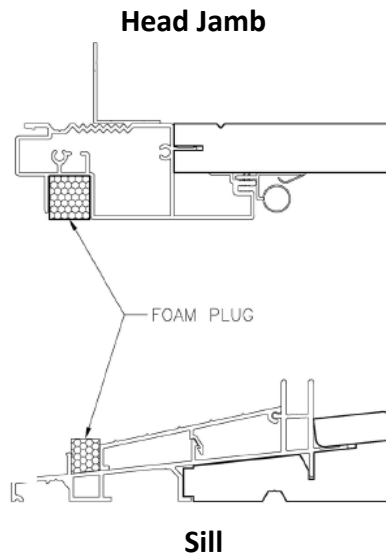


Handicap Sill

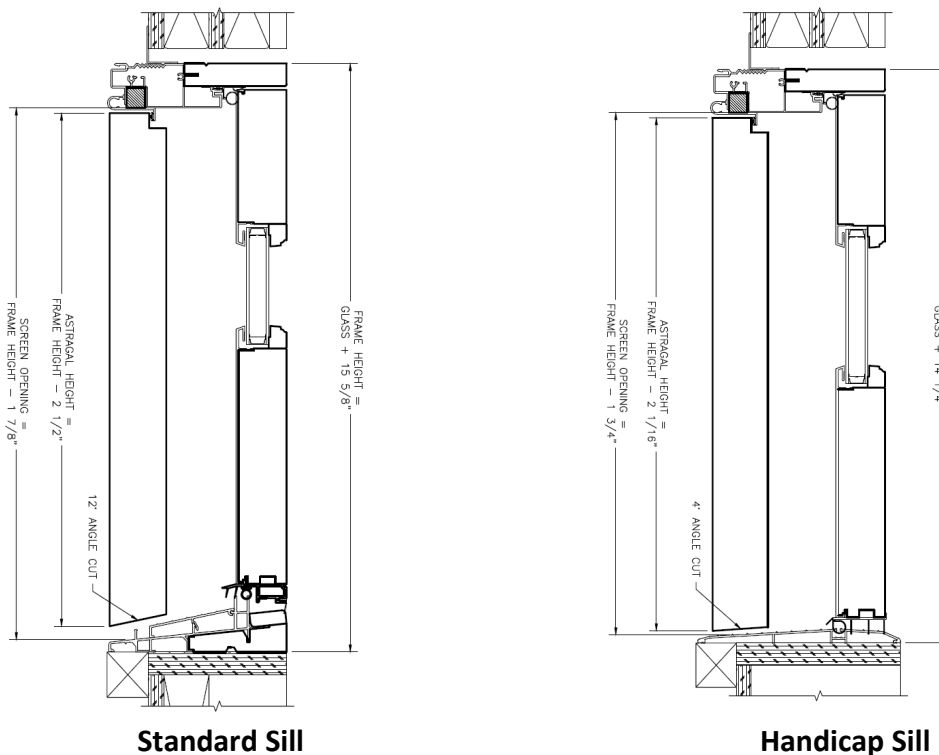
Screen Astragal Adapter Installation Instructions

The screen astragal adapter kit is designed to slide over and fasten to the astragal of a Pinnacle clad inswing stat/active or active/stat door for application of a swinging door screen. Provided with this kit are 2 foam plugs and the necessary screws to secure the adapter to the door.

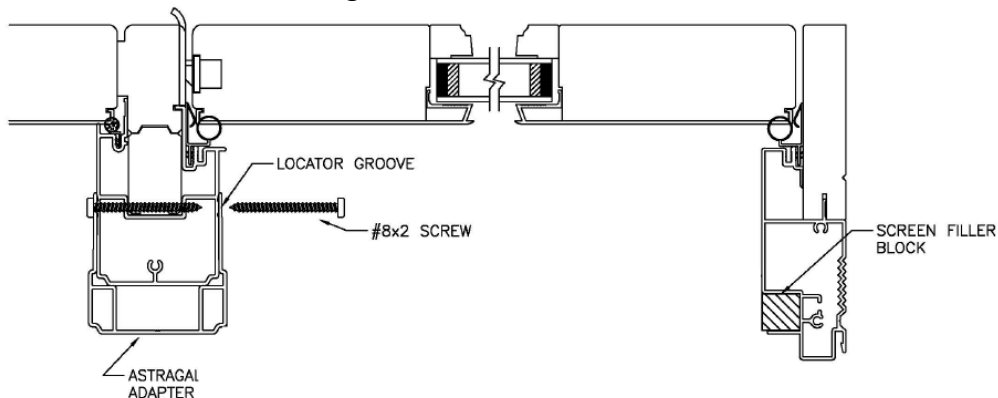
Step 1 – Install the foam plugs into the upper and lower screen track of the door frame directly in front of the astragal.



Step 2 – Set the base (angled cut end) of the screen adapter over the sill foam plugs while engaging the back of the adapter with the face of the astragal. Make sure the top of the adapter clears the frame at the head of the door unit and push inward until it bottoms out.



Step 3 – Secure the screen adapter to the astragal with the color matched screws. Pre-drill screw holes 1/8" x 1-3/4" deep. Locate one screw approximately 3" from each end, then three additional screws equally spaced in between. A locator groove has been provided on the side of the screen adapter for the screw placement. A total of 10 screws, five on each side, will be used to secure the screen adapter to the astragal. The screws should be slightly staggered from one side of the astragal to the other to eliminate the chance of the screws hitting each other.



Step 4 – Install the swinging screen per the instructions provided with the screen system.