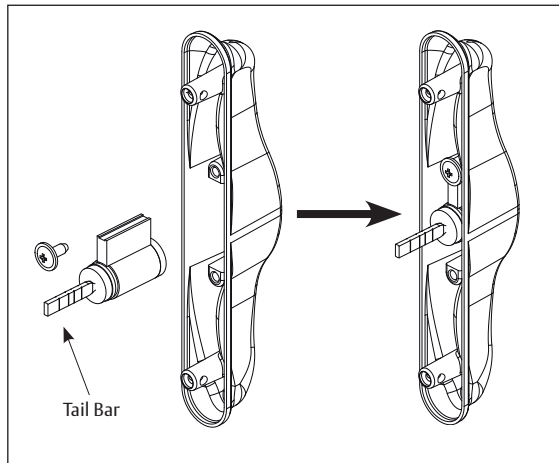
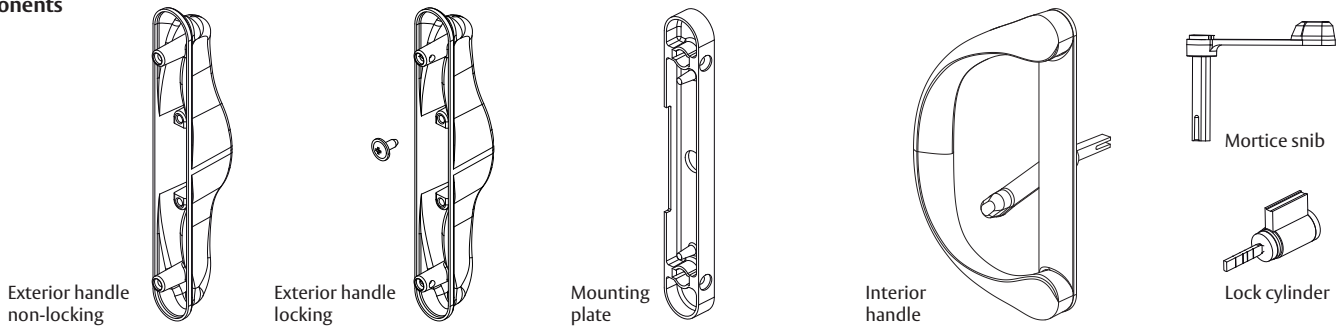


Installation Instructions

Components



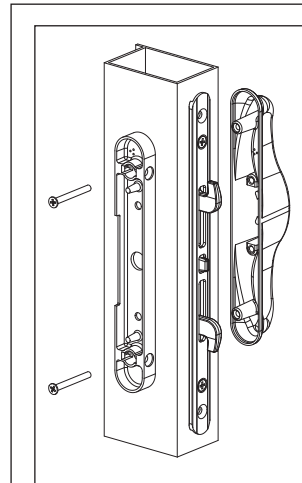
1. Insert lock cylinder

Non-locking Handles

- Skip to step 2

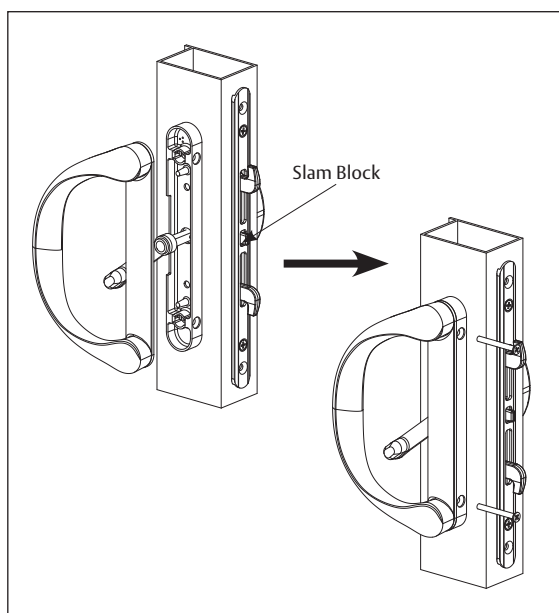
Locking Handles

- Remove screw in handle
- For left hand opening doors, as viewed from the exterior, insert the lock cylinder into the exterior handle as shown
- Secure with screw supplied in handle. For right hand opening doors, flip the cylinder 180 degrees



2. Installing exterior handle

- Install mounting plates and exterior handle
- For easier installation, lubricate screws and drive through the mounting plate into the exterior handle
- Ensure mounting plate recess faces the glass



3. Installing interior handle

Locking Version

- Install snib through the round hole in mounting plate and into the square hole in the lock.
- Insert key to align the tail bar of the lock cylinder with the end of the snib. (If tail bar is drooping in square hole, use key to lift it to get snib into place)
- Ensure snib lever operates in mounting plate recess (slam block, in face of lock, needs to be pushed in for lock to operate). If not, remove snib, and rotate 90 degrees. Ensure snib now moves through correct range of motion
- Ensure key can be removed in both the locked and unlocked positions. If not, remove snib, rotate key 180 degrees and replace snib. The key should now be removable from both locked and unlocked positions
- Install interior handle. For easier installation, lubricate color-matched screws and secure through side of mounting plate

Non-locking Version

- Install snib through the round hole in mounting plate and into the square hole in the lock
- Ensure snib lever operates in mounting plate recess (slam block, in face of lock, needs to be pushed in for lock to operate). If not, remove snib, and rotate 90 degrees. Ensure snib now moves through correct range of motion
- Install interior handle. For easier installation, lubricate colour-matched screws and secure through side of mounting plate