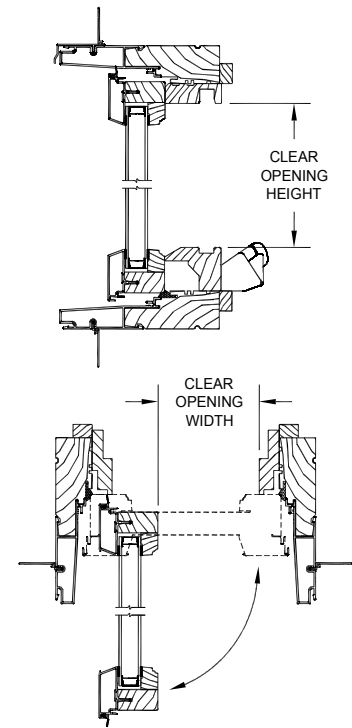


Pinnacle Series

CLAD CASEMENT

EGRESS, LITE, VENT & SCREEN MEASUREMENTS

Egress, Lite and Vent Measurements												
Casement												
Size	Egress Width		Egress Height	Sq. Ft. Egress		Egress Code Compliance*			Sq. Ft. Vent	Sq. Ft. Daylite	Screen Size	
	Std. HRDW	Egress HRDW		Std. HRDW	Egress HRDW	U.S.		Canada			Width	Height
						5.0 ft ²	5.7 ft ²					
1420	9.25		19.41	1.25		-	-	-	1.90	1.66	14 11/16	19 3/4
1426	9.25		25.41	1.63		-	-	-	2.49	2.26	14 11/16	25 3/4
1432	9.25		31.41	2.02		-	-	-	3.08	2.80	14 11/16	31 3/4
1438	9.25		37.41	2.40		-	-	-	3.67	3.34	14 11/16	37 3/4
1444	9.25		43.41	2.79		-	-	-	4.26	3.88	14 11/16	43 3/4
1450	9.25		49.41	3.17		-	-	-	4.85	4.42	14 11/16	49 3/4
1456	9.25		55.41	3.56		-	-	-	5.44	4.97	14 11/16	55 3/4
1462	9.25		61.41	3.94		-	-	-	6.02	5.51	14 11/16	61 3/4
1468	9.25		67.41	4.33		-	-	-	6.61	6.05	14 11/16	67 3/4
1474	9.25		73.41	4.72		-	-	-	7.20	6.59	14 11/16	73 3/4
1480	9.25		79.41	5.10		-	-	-	7.79	7.13	14 11/16	79 3/4
1620	11.25		19.41	1.52		-	-	-	2.20	1.92	16 11/16	19 3/4
1626	11.25		25.41	1.99		-	-	-	2.88	2.54	16 11/16	25 3/4
1632	11.25		31.41	2.45		-	-	-	3.57	3.15	16 11/16	31 3/4
1638	11.25		37.41	2.92		-	-	-	4.25	3.76	16 11/16	37 3/4
1644	11.25		43.41	3.39		-	-	-	4.94	4.38	16 11/16	43 3/4
1650	11.25		49.41	3.86		-	-	-	5.62	4.99	16 11/16	49 3/4
1656	11.25		55.41	4.33		-	-	-	6.31	5.61	16 11/16	55 3/4
1662	11.25		61.41	4.80		-	-	-	6.99	6.22	16 11/16	61 3/4
1668	11.25		67.41	5.27		-	-	-	7.68	6.84	16 11/16	67 3/4
1674	11.25		73.41	5.74		-	-	-	8.36	7.45	16 11/16	73 3/4
1680	11.25		79.41	6.20		-	-	-	9.05	8.23	16 11/16	79 3/4
2020	15.25	17.80	19.41	2.06	2.40	-	-	-	2.75	2.44	20 11/16	19 3/4
2026	15.25	17.80	25.41	2.69	3.14	-	-	-	3.59	3.22	20 11/16	25 3/4
2032	15.25	17.80	31.41	3.33	3.88	-	-	E	4.44	4.00	20 11/16	31 3/4
2038	15.25	17.80	37.41	3.96	4.62	-	-	S	5.29	4.79	20 11/16	37 3/4
2044	15.25	17.80	43.41	4.60	5.37	-	-	S	6.14	5.57	20 11/16	43 3/4
2050	15.25	17.80	49.41	5.23	6.11	-	-	S	6.99	6.35	20 11/16	49 3/4
2056	15.25	17.80	55.41	5.87	6.85	-	-	S	7.84	7.13	20 11/16	55 3/4
2062	15.25	17.80	61.41	6.50	7.59	-	-	S	8.69	7.91	20 11/16	61 3/4
2068	15.25	17.80	67.41	7.14	8.33	-	-	S	9.54	8.69	20 11/16	67 3/4
2074	15.25	17.80	73.41	7.77	9.07	-	-	S	10.39	9.47	20 11/16	73 3/4
2080	15.25	17.80	79.41	8.41	9.82	-	-	S	11.24	10.42	20 11/16	79 3/4
2420	19.25	21.80	19.41	2.59	2.94	-	-	-	3.28	2.96	24 11/16	19 3/4
2426	19.25	21.80	25.41	3.40	3.85	-	-	E	4.30	3.91	24 11/16	25 3/4
2432	19.25	21.80	31.41	4.20	4.76	-	-	S	5.32	4.86	24 11/16	31 3/4
2438	19.25	21.80	37.41	5.00	5.66	E	-	S	6.33	5.81	24 11/16	37 3/4
2444	19.25	21.80	43.41	5.80	6.57	E	E	S	7.35	6.75	24 11/16	43 3/4
2450	19.25	21.80	49.41	6.61	7.48	E	E	S	8.36	7.70	24 11/16	49 3/4
2456	19.25	21.80	55.41	7.41	8.39	E	E	S	9.38	8.65	24 11/16	55 3/4
2462	19.25	21.80	61.41	8.21	9.30	E	E	S	10.39	9.60	24 11/16	61 3/4
2468	19.25	21.80	67.41	9.01	10.21	E	E	S	11.41	10.55	24 11/16	67 3/4
2474	19.25	21.80	73.41	9.81	11.11	E	E	S	12.43	11.49	24 11/16	73 3/4
2480	19.25	21.80	79.41	10.62	12.02	E	E	S	13.45	12.62	24 11/16	79 3/4
2620	21.25	23.80	19.41	2.86	3.21	-	-	-	3.55	3.22	26 11/16	19 3/4
2626	21.25	23.80	25.41	3.75	4.20	-	-	E	4.65	4.25	26 11/16	25 3/4
2632	21.25	23.80	31.41	4.64	5.19	E	-	S	5.75	5.29	26 11/16	31 3/4
2638	21.25	23.80	37.41	5.52	6.18	S	E	S	6.85	6.32	26 11/16	37 3/4
2644	21.25	23.80	43.41	6.41	7.17	S	S	S	7.95	7.35	26 11/16	43 3/4
2650	21.25	23.80	49.41	7.29	8.17	S	S	S	9.05	8.38	26 11/16	49 3/4
2656	21.25	23.80	55.41	8.18	9.16	S	S	S	10.15	9.41	26 11/16	55 3/4
2662	21.25	23.80	61.41	9.06	10.15	S	S	S	11.25	10.44	26 11/16	61 3/4
2668	21.25	23.80	67.41	9.95	11.14	S	S	S	12.35	11.47	26 11/16	67 3/4



Egress Conversions

Standard Hardware	Width	Glass - 4.75"
		Height
Egress Hardware	Width	Glass - 2.20"
		Height

* Egress Code Compliance Terminology

E Meets Code with Egress Hardware Only

S Meets Code with Standard Hardware

- Does Not Meet Code

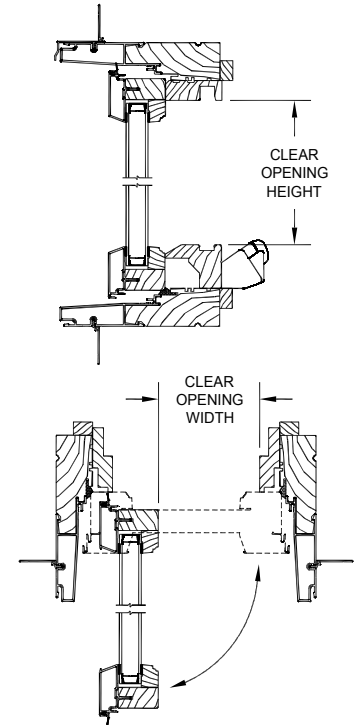
Code Requirements	Min Width	Min Height	Min Area
U.S.	20"	24"	5.7
U.S. Grade Floor	20"	24"	5.0
Canada	15"	15"	3.77

Pinnacle Series

CLAD CASEMENT

EGRESS, LITE, VENT & SCREEN MEASUREMENTS

Egress, Lite and Vent Measurements												
Casement												
Size	Egress Width		Egress Height	Sq. Ft. Egress		Egress Code Compliance*			Sq. Ft. Vent	Sq. Ft. Daylite	Screen Size	
	Std. HRDW	Egress HRDW		Std. HRDW	Egress HRDW	U.S.		Canada			Width	Height
						5.0 ft ²	5.7 ft ²					
2820	23.25	25.80	19.41	3.13	3.48	-	-	-	3.55	3.48	28 11/16	19 3/4
2826	23.25	25.80	25.41	4.10	4.55	-	-	E	4.65	4.60	28 11/16	25 3/4
2832	23.25	25.80	31.41	5.07	5.63	E	-	S	5.75	5.71	28 11/16	31 3/4
2838	23.25	25.80	37.41	6.04	6.70	S	S	S	6.85	6.83	28 11/16	37 3/4
2844	23.25	25.80	43.41	7.01	7.78	S	S	S	7.95	7.94	28 11/16	43 3/4
2850	23.25	25.80	49.41	7.98	8.85	S	S	S	9.05	9.06	28 11/16	49 3/4
2856	23.25	25.80	55.41	8.95	9.93	S	S	S	10.15	10.17	28 11/16	55 3/4
2862	23.25	25.80	61.41	9.92	11.00	S	S	S	11.25	11.29	28 11/16	61 3/4
2868	23.25	25.80	67.41	10.88	12.08	S	S	S	12.35	12.40	28 11/16	67 3/4
3220	27.25	29.80	19.41	3.67	4.02	-	-	E	4.32	4.09	32 11/16	19 3/4
3226	27.25	29.80	25.41	4.81	5.26	E	-	S	5.66	5.38	32 11/16	25 3/4
3232	27.25	29.80	31.41	5.94	6.50	S	S	S	7.06	6.57	32 11/16	31 3/4
3238	27.25	29.80	37.41	7.08	7.74	S	S	S	8.41	7.85	32 11/16	37 3/4
3244	27.25	29.80	43.41	8.21	8.98	S	S	S	9.76	9.13	32 11/16	43 3/4
3250	27.25	29.80	49.41	9.35	10.23	S	S	S	11.11	10.41	32 11/16	49 3/4
3256	27.25	29.80	55.41	10.49	11.47	S	S	S	12.46	11.69	32 11/16	55 3/4
3262	27.25	29.80	61.41	11.62	12.71	S	S	S	13.81	12.97	32 11/16	61 3/4
3268	27.25	29.80	67.41	12.76	13.95	S	S	S	15.15	14.25	32 11/16	67 3/4
3820	43.25	35.80	19.41	5.83	4.83	-	-	S	5.14	4.79	38 11/16	19 3/4
3826	43.25	35.80	25.41	7.63	6.32	S	S	S	6.73	6.32	38 11/16	25 3/4
3832	43.25	35.80	31.41	9.43	7.81	S	S	S	8.31	7.85	38 11/16	31 3/4
3838	43.25	35.80	37.41	11.24	9.30	S	S	S	9.64	9.38	38 11/16	37 3/4
3844	43.25	35.80	43.41	13.04	10.79	S	S	S	9.90	10.91	38 11/16	43 3/4
3850	43.25	35.80	49.41	14.84	12.28	S	S	S	13.08	12.44	38 11/16	49 3/4
3856	43.25	35.80	55.41	16.64	13.78	S	S	S	14.67	13.97	38 11/16	55 3/4



Egress Conversions

Standard Hardware	Width	Glass - 4.75"
	Height	Glass - 0.59"
Egress Hardware	Width	Glass - 2.20"
	Height	Glass - 0.59"

* Egress Code Compliance Terminology

- E** Meets Code with Egress Hardware Only
- S** Meets Code with Standard Hardware
- Does Not Meet Code

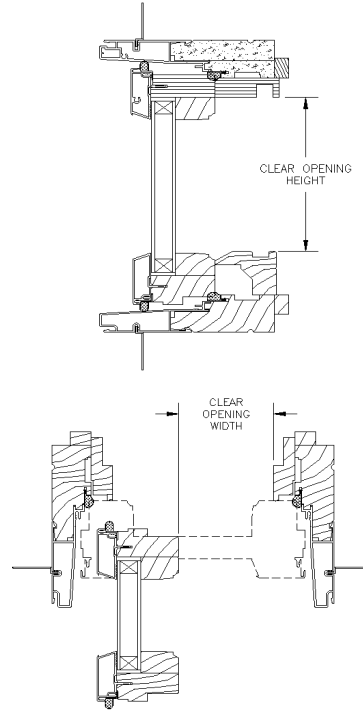
Code Requirements	Min Width	Min Height	Min Area
U.S.	20"	24"	5.7
U.S. Grade Floor	20"	24"	5.0
Canada	15"	15"	3.77

Pinnacle Series

CLAD SEG-TOP CASEMENT

EGRESS, LITE, VENT & SCREEN MEASUREMENTS

Egress, Lite and Vent Measurements									
Casement									
Size	Egress Width	Egress Height	Sq. Ft. Egress	Egress Code Compliance*			Sq. Ft. Daylite	Screen Size	
	Std. HRDW			U.S.		Canada		Width	Height
		5.0 ft ²	5.7 ft ²						
1608/14	14.13	9.41	0.92	-	-	-	1.25	-	-
1614/20	14.13	15.41	1.51	-	-	-	1.80	-	-
1620/26	14.13	21.41	2.10	-	-	-	2.41	-	-
1626/32	14.13	27.41	2.69	-	-	-	3.03	-	-
1632/38	14.13	33.41	3.28	-	-	-	3.64	-	-
1638/44	14.13	39.41	3.87	-	-	-	4.26	-	-
1644/50	14.13	45.41	4.46	-	-	-	4.87	-	-
1650/56	14.13	51.41	5.04	-	-	-	5.49	-	-
1656/62	14.13	57.41	5.63	-	-	-	6.10	-	-
1662/68	14.13	63.41	6.22	-	-	-	6.92	-	-
2008/14	18.13	9.41	1.18	-	-	-	1.49	-	-
2014/20	18.13	15.41	1.94	-	-	-	2.27	-	-
2020/26	18.13	21.41	2.70	-	-	-	3.05	-	-
2026/32	18.13	27.41	3.45	-	-	-	3.83	-	-
2032/38	18.13	33.41	4.21	-	-	-	4.61	-	-
2038/44	18.13	39.41	4.96	-	-	-	5.40	20 5/8	43 5/8
2044/50	18.13	45.41	5.72	-	-	-	6.18	20 5/8	49 5/8
2050/56	18.13	51.41	6.47	-	-	-	6.96	20 5/8	55 5/8
2056/62	18.13	57.41	7.23	-	-	-	7.74	20 5/8	61 5/8
2062/68	18.13	63.41	7.98	-	-	-	8.52	20 5/8	67 5/8
2408/14	22.13	9.41	1.45	-	-	-	1.88	-	-
2414/20	22.13	15.41	2.37	-	-	-	2.84	-	-
2420/26	22.13	21.41	3.29	-	-	-	3.69	-	-
2426/32	22.13	27.41	4.21	-	-	-	4.68	-	-
2432/38	22.13	33.41	5.13	-	-	-	5.58	-	-
2438/44	22.13	39.41	6.06	-	-	-	6.70	24 5/8	43 5/8
2444/50	22.13	45.41	6.98	Y	Y	Y	7.48	24 5/8	49 5/8
2450/56	22.13	51.41	7.90	Y	Y	Y	8.43	24 5/8	55 5/8
2456/62	22.13	57.41	8.82	Y	Y	Y	9.59	24 5/8	61 5/8
2462/68	22.13	63.41	9.74	Y	Y	Y	10.32	24 5/8	67 5/8
2608/14	24.13	9.41	1.58	-	-	-	1.95	-	-
2614/20	24.13	15.41	2.58	-	-	-	2.98	-	-
2620/26	24.13	21.41	3.59	-	-	-	4.00	-	-
2626/32	24.13	27.41	4.59	-	-	-	5.04	-	-
2632/38	24.13	33.41	5.60	-	-	-	6.07	-	-
2638/44	24.13	39.41	6.60	Y	Y	Y	7.10	26 5/8	43 5/8
2644/50	24.13	45.41	7.61	Y	Y	Y	8.13	26 5/8	49 5/8
2650/56	24.13	51.41	8.61	Y	Y	Y	9.16	26 5/8	55 5/8
2656/62	24.13	57.41	9.62	Y	Y	Y	10.19	26 5/8	61 5/8
2662/68	24.13	63.41	10.63	Y	Y	Y	11.23	26 5/8	67 5/8
3208/14	30.13	9.41	1.97	-	-	-	2.40	-	-
3214/20	30.13	15.41	3.22	-	-	-	3.68	-	-
3220/26	30.13	21.41	4.48	-	-	-	4.96	-	-
3226/32	30.13	27.41	5.74	-	-	-	6.39	-	-
3232/38	30.13	33.41	6.99	-	-	-	7.52	-	-
3238/44	30.13	39.41	8.25	Y	Y	Y	8.81	32 5/8	43 5/8
3244/50	30.13	45.41	9.50	Y	Y	Y	10.08	32 5/8	49 5/8
3250/56	30.13	51.41	10.76	Y	Y	Y	11.37	32 5/8	55 5/8
3256/62	30.13	57.41	12.01	Y	Y	Y	12.65	32 5/8	61 5/8
3262/68	30.13	63.41	13.27	Y	Y	Y	13.93	32 5/8	67 5/8



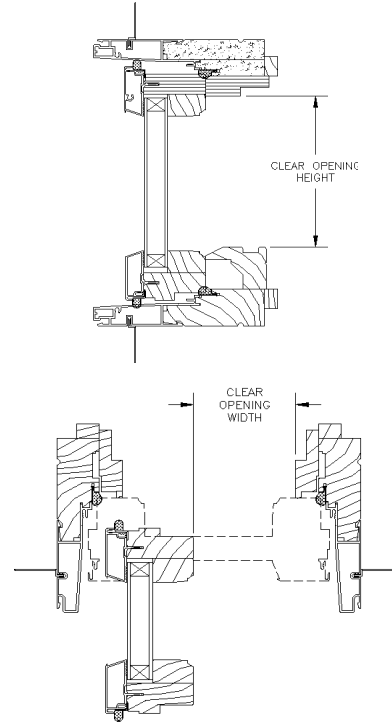
Code Requirements	Min Width	Min Height	Min Area
U.S.	20"	24"	5.7
U.S. Grade Floor	20"	24"	5.0
Canada	15"	15"	3.77

Pinnacle Series

CLAD ROUND TOP CASEMENT

EGRESS, LITE, VENT & SCREEN MEASUREMENTS

Egress, Lite and Vent Measurements										
Casement										
Size	Egress Width		Sq. Ft. Egress	Egress Code Compliance*			Sq. Ft. Daylite	Screen Size		
	Std. HRDW	Egress Height		Std. HRDW	U.S.			Canada	Width	Height
					5.0 ft ²	5.7 ft ²				
2020/44	18.13	21.41	2.70	-	-	-	4.89	20 5/8	43 5/8	
2026/50	18.13	27.41	3.45	-	-	-	5.67	20 5/8	49 5/8	
2032/56	18.13	33.41	4.21	-	-	-	6.45	20 5/8	55 5/8	
2038/62	18.13	39.41	4.96	-	-	-	7.23	20 5/8	61 5/8	
2416/44	22.13	17.41	2.68	-	-	-	5.80	24 5/8	43 5/8	
2422/50	22.13	23.41	3.60	-	-	-	6.74	24 5/8	49 5/8	
2428/56	22.13	29.41	4.52	-	-	-	7.69	24 5/8	55 5/8	
2434/62	22.13	35.41	5.44	Y	Y	Y	8.64	24 5/8	61 5/8	
2614/44	24.13	15.41	2.58	-	-	-	6.23	26 5/8	43 5/8	
2620/50	24.13	21.41	3.59	-	-	-	7.26	26 5/8	49 5/8	
2626/56	24.13	27.41	4.59	Y	Y	Y	8.29	26 5/8	55 5/8	
2632/62	24.13	33.41	5.60	Y	Y	Y	9.33	26 5/8	61 5/8	



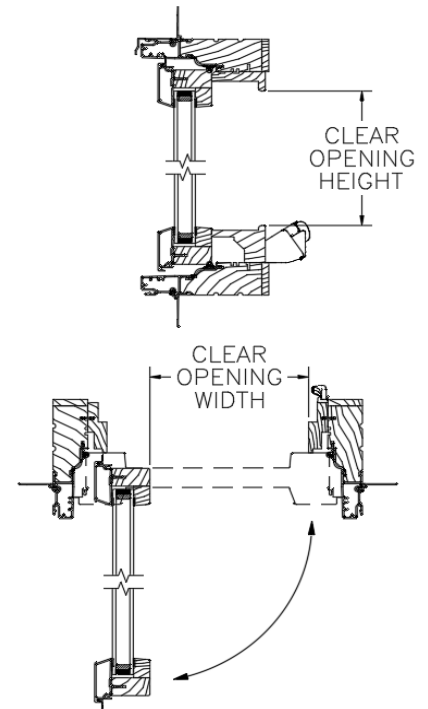
Code Requirements	Min Width	Min Height	Min Area
U.S.	20"	24"	5.7
U.S. Grade Floor	20"	24"	5.0
Canada	15"	15"	3.77

Pinnacle Series

CLAD CASEMENT - 3 1/4" FRAME

EGRESS, LITE, VENT & SCREEN MEASUREMENTS

Egress, Lite and Vent Measurements												
Casement												
Size	Egress Width		Egress Height	Sq. Ft. Egress		Egress Code Compliance*			Sq. Ft. Vent	Sq. Ft. Daylite	Screen Size	
	Std. HRDW	Egress HRDW		Std. HRDW	Egress HRDW	U.S.		Canada			Width	Height
						5.0 ft ²	5.7 ft ²					
1420	9.25		19.31	1.24	-	-	-	1.89	1.66	14 11/16	19 9/16	
1426	9.25		25.31	1.63	-	-	-	2.48	2.19	14 11/16	25 9/16	
1432	9.25		31.31	2.01	-	-	-	3.07	2.72	14 11/16	31 9/16	
1438	9.25		37.31	2.40	-	-	-	3.66	3.25	14 11/16	37 9/16	
1444	9.25		43.31	2.78	-	-	-	4.25	3.79	14 11/16	43 9/16	
1450	9.25		49.31	3.17	-	-	-	4.84	4.32	14 11/16	49 9/16	
1456	9.25		55.31	3.55	-	-	-	5.43	4.85	14 11/16	55 9/16	
1462	9.25		61.31	3.94	-	-	-	6.01	5.38	14 11/16	61 9/16	
1468	9.25		67.31	4.32	-	-	-	6.60	5.91	14 11/16	67 9/16	
1474	9.25		73.31	4.71	-	-	-	7.19	6.44	14 11/16	73 9/16	
1480	9.25		79.31	5.09	-	-	-	7.78	6.97	14 11/16	79 9/16	
1620	11.25		19.31	1.51	-	-	-	2.16	1.92	16 11/16	19 9/16	
1626	11.25		25.31	1.98	-	-	-	2.83	2.54	16 11/16	25 9/16	
1632	11.25		31.31	2.45	-	-	-	3.51	3.15	16 11/16	31 9/16	
1638	11.25		37.31	2.91	-	-	-	4.18	3.76	16 11/16	37 9/16	
1644	11.25		43.31	3.38	-	-	-	4.85	4.38	16 11/16	43 9/16	
1650	11.25		49.31	3.85	-	-	-	5.52	4.99	16 11/16	49 9/16	
1656	11.25		55.31	4.32	-	-	-	6.19	5.61	16 11/16	55 9/16	
1662	11.25		61.31	4.79	-	-	-	6.87	6.22	16 11/16	61 9/16	
1668	11.25		67.31	5.26	-	-	-	7.54	6.84	16 11/16	67 9/16	
1674	11.25		73.31	5.73	-	-	-	8.21	7.45	16 11/16	73 9/16	
1680	11.25		79.31	6.20	-	-	-	8.88	8.07	16 11/16	79 9/16	
2020	15.25	17.80	19.31	2.04	2.39	-	-	2.70	2.44	20 11/16	19 9/16	
2026	15.25	17.80	25.31	2.68	3.13	-	-	3.54	3.22	20 11/16	25 9/16	
2032	15.25	17.80	31.31	3.32	3.87	-	E	4.38	4.00	20 11/16	31 9/16	
2038	15.25	17.80	37.31	3.95	4.61	-	S	5.21	4.79	20 11/16	37 9/16	
2044	15.25	17.80	43.31	4.59	5.35	-	S	6.05	5.57	20 11/16	43 9/16	
2050	15.25	17.80	49.31	5.22	6.10	-	S	6.89	6.35	20 11/16	49 9/16	
2056	15.25	17.80	55.31	5.86	6.84	-	S	7.73	7.13	20 11/16	55 9/16	
2062	15.25	17.80	61.31	6.49	7.58	-	S	8.57	7.91	20 11/16	61 9/16	
2068	15.25	17.80	67.31	7.13	8.32	-	S	9.41	8.69	20 11/16	67 9/16	
2074	15.25	17.80	73.31	7.76	9.06	-	S	10.25	9.47	20 11/16	73 9/16	
2080	15.25	17.80	79.31	8.40	9.80	-	S	11.08	10.25	20 11/16	79 9/16	
2420	19.25	21.80	19.31	2.58	2.92	-	-	3.24	2.96	24 11/16	19 9/16	
2426	19.25	21.80	25.31	3.38	3.83	-	E	4.24	3.91	24 11/16	25 9/16	
2432	19.25	21.80	31.31	4.19	4.74	-	S	5.25	4.86	24 11/16	31 9/16	
2438	19.25	21.80	37.31	4.99	5.65	E	-	6.25	5.81	24 11/16	37 9/16	
2444	19.25	21.80	43.31	5.79	6.56	E	E	7.26	6.75	24 11/16	43 9/16	
2450	19.25	21.80	49.31	6.59	7.46	E	E	8.26	7.70	24 11/16	49 9/16	
2456	19.25	21.80	55.31	7.39	8.37	E	E	9.27	8.65	24 11/16	55 9/16	
2462	19.25	21.80	61.31	8.20	9.28	E	E	10.27	9.60	24 11/16	61 9/16	
2468	19.25	21.80	67.31	9.00	10.19	E	E	11.28	10.55	24 11/16	67 9/16	
2474	19.25	21.80	73.31	9.80	11.10	E	E	12.28	11.49	24 11/16	73 9/16	
2480	19.25	21.80	79.31	10.60	12.01	E	E	13.29	12.44	24 11/16	79 9/16	
2620	21.25	23.80	19.31	2.85	3.19	-	-	3.50	3.22	26 11/16	19 9/16	
2626	21.25	23.80	25.31	3.73	4.18	-	E	4.59	4.25	26 11/16	25 9/16	
2632	21.25	23.80	31.31	4.62	5.17	E	-	5.68	5.29	26 11/16	31 9/16	
2638	21.25	23.80	37.31	5.51	6.17	S	E	6.77	6.32	26 11/16	37 9/16	
2644	21.25	23.80	43.31	6.39	7.16	S	S	7.86	7.35	26 11/16	43 9/16	
2650	21.25	23.80	49.31	7.28	8.15	S	S	8.95	8.38	26 11/16	49 9/16	
2656	21.25	23.80	55.31	8.16	9.14	S	S	10.03	9.41	26 11/16	55 9/16	
2662	21.25	23.80	61.31	9.05	10.13	S	S	11.12	10.44	26 11/16	61 9/16	
2668	21.25	23.80	67.31	9.93	11.12	S	S	12.21	11.47	26 11/16	67 9/16	



Egress Conversions

Standard Hardware	Width	Glass - 4.75"
		Height
Egress Hardware	Width	Glass - 2.20"
		Height

* Egress Code Compliance Terminology

E Meets Code with Egress Hardware Only

S Meets Code with Standard Hardware

- Does Not Meet Code

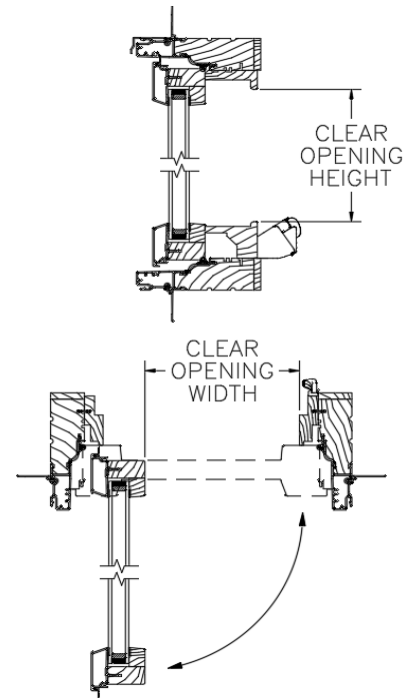
Code Requirements	Min Width	Min Height	Min Area
U.S.	20"	24"	5.7
U.S. Grade Floor	20"	24"	5.0
Canada	15"	15"	3.77

Pinnacle Series

CLAD CASEMENT - 3 1/4" FRAME

EGRESS, LITE, VENT & SCREEN MEASUREMENTS

Egress, Lite and Vent Measurements												
Casement												
Size	Egress Width		Egress Height	Sq. Ft. Egress		Egress Code Compliance*			Sq. Ft. Vent	Sq. Ft. Daylite	Screen Size	
	Std. HRDW	Egress HRDW		Std. HRDW	Egress HRDW	U.S.		Canada			Width	Height
						5.0 ft ²	5.7 ft ²					
2820	23.25	25.80	19.31	3.12	3.46	-	-	-	3.77	3.48	28 11/16	19 9/16
2826	23.25	25.80	25.31	4.09	4.53	-	-	E	4.94	4.60	28 11/16	25 9/16
2832	23.25	25.80	31.31	5.06	5.61	E	-	S	6.12	5.71	28 11/16	31 9/16
2838	23.25	25.80	37.31	6.02	6.68	S	S	S	7.29	6.83	28 11/16	37 9/16
2844	23.25	25.80	43.31	6.99	7.76	S	S	S	8.46	7.94	28 11/16	43 9/16
2850	23.25	25.80	49.31	7.96	8.83	S	S	S	9.63	9.06	28 11/16	49 9/16
2856	23.25	25.80	55.31	8.93	9.91	S	S	S	10.80	10.17	28 11/16	55 9/16
2862	23.25	25.80	61.31	9.90	10.98	S	S	S	11.97	11.29	28 11/16	61 9/16
2868	23.25	25.80	67.31	10.87	12.06	S	S	S	13.15	12.40	28 11/16	67 9/16
3220	27.25	29.80	19.31	3.65	4.00	-	-	E	4.31	4.00	32 11/16	19 9/16
3226	27.25	29.80	25.31	4.79	5.24	E	-	S	5.65	5.29	32 11/16	25 9/16
3232	27.25	29.80	31.31	5.92	6.48	S	S	S	6.98	6.57	32 11/16	31 9/16
3238	27.25	29.80	37.31	7.06	7.72	S	S	S	8.32	7.85	32 11/16	37 9/16
3244	27.25	29.80	43.31	8.20	8.96	S	S	S	9.66	9.13	32 11/16	43 9/16
3250	27.25	29.80	49.31	9.33	10.20	S	S	S	11.00	10.41	32 11/16	49 9/16
3256	27.25	29.80	55.31	10.47	11.45	S	S	S	12.34	11.69	32 11/16	55 9/16
3262	27.25	29.80	61.31	11.60	12.69	S	S	S	13.68	12.97	32 11/16	61 9/16
3268	27.25	29.80	67.31	12.74	13.93	S	S	S	15.02	14.25	32 11/16	67 9/16
3820	33.25	35.80	19.31	4.46	4.80	-	-	S	5.11	4.79	38 11/16	19 9/16
3826	33.25	35.80	25.31	5.84	6.29	S	S	S	6.70	6.32	38 11/16	25 9/16
3832	33.25	35.80	31.31	7.23	7.78	S	S	S	8.29	7.85	38 11/16	31 9/16
3838	33.25	35.80	37.31	8.61	9.28	S	S	S	9.88	9.38	38 11/16	37 9/16
3844	33.25	35.80	43.31	10.00	10.77	S	S	S	11.47	10.91	38 11/16	43 9/16
3850	33.25	35.80	49.31	11.39	12.26	S	S	S	13.06	12.44	38 11/16	49 9/16
3856	33.25	35.80	55.31	12.77	13.75	S	S	S	14.64	13.97	38 11/16	55 9/16



Egress Conversions

Standard Hardware	Width	Glass - 4.75"
	Height	Glass - 0.59"
Egress Hardware	Width	Glass - 2.20"
	Height	Glass - 0.59"

* Egress Code Compliance Terminology

- E Meets Code with Egress Hardware Only
- S Meets Code with Standard Hardware
- Does Not Meet Code

Code Requirements	Min Width	Min Height	Min Area
U.S.	20"	24"	5.7
U.S. Grade Floor	20"	24"	5.0
Canada	15"	15"	3.77