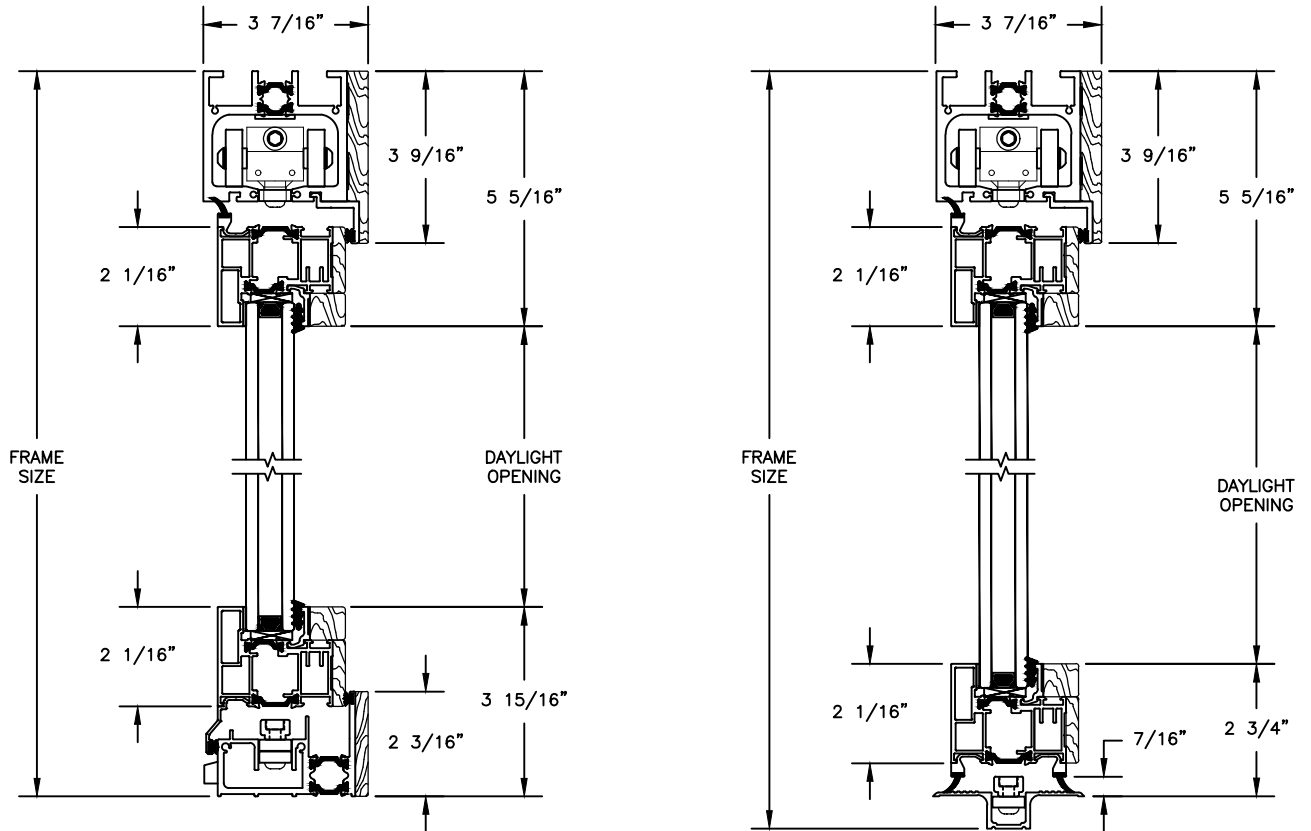


# Pinnacle Select

## OUTSWING BI-FOLD DOOR

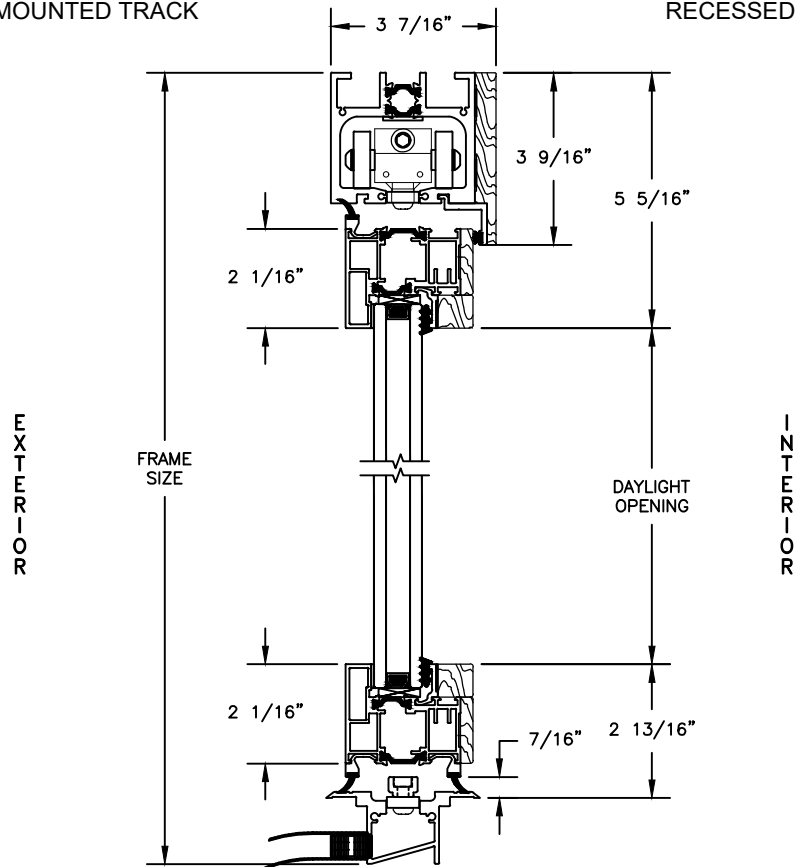
SECTION DETAILS

SCALE: 3" = 1'-0"



SURFACE MOUNTED TRACK

RECESSED TRACK



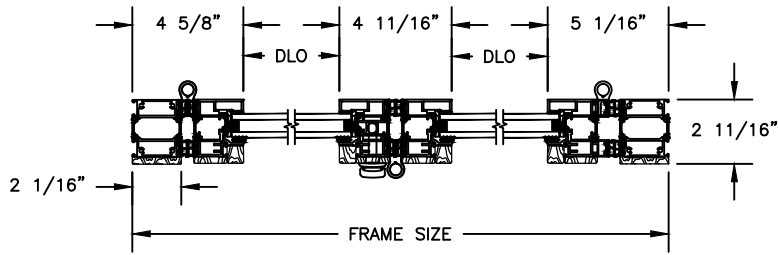
RECESSED DRAINAGE TRACK

# Pinnacle Select

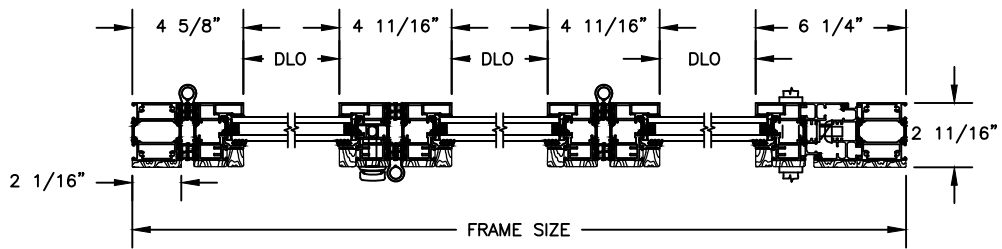
## OUTSWING BI-FOLD DOOR

SECTION DETAILS  
 SCALE: 1 1/2" = 1'-0"

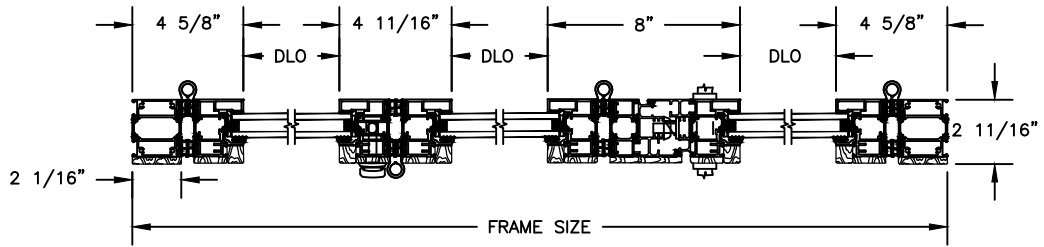
0L-2R  
 Free Side Jamb



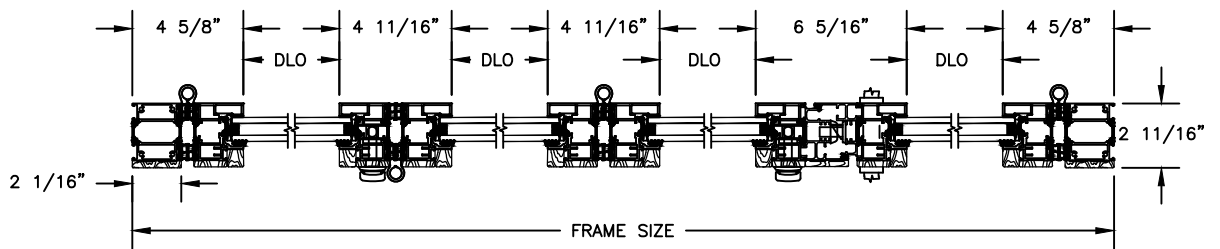
0L-3R  
 Swing Side Jamb



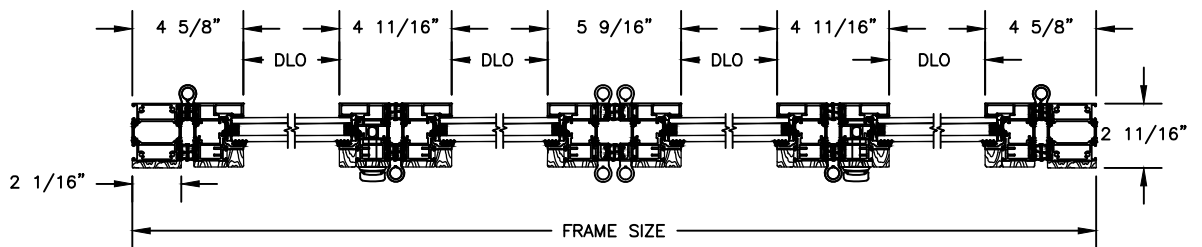
1L-2R  
 EVEN/ODD



1L-3R  
 ODD/ODD



2L-2R  
 EVEN/EVEN



# Pinnacle Select OUTSWING BI-FOLD DOOR

SECTION DETAILS  
SCALE: 3" = 1'-0"

