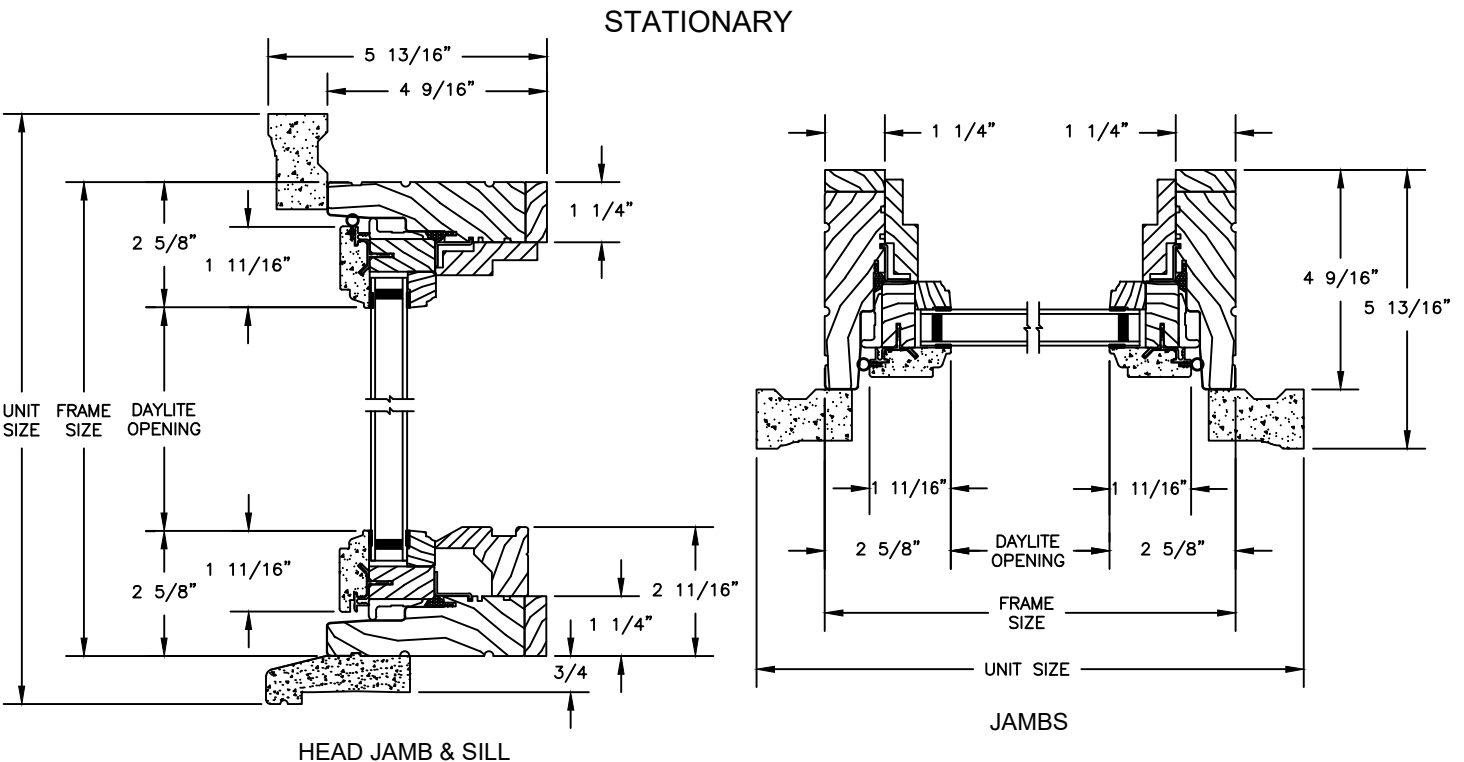
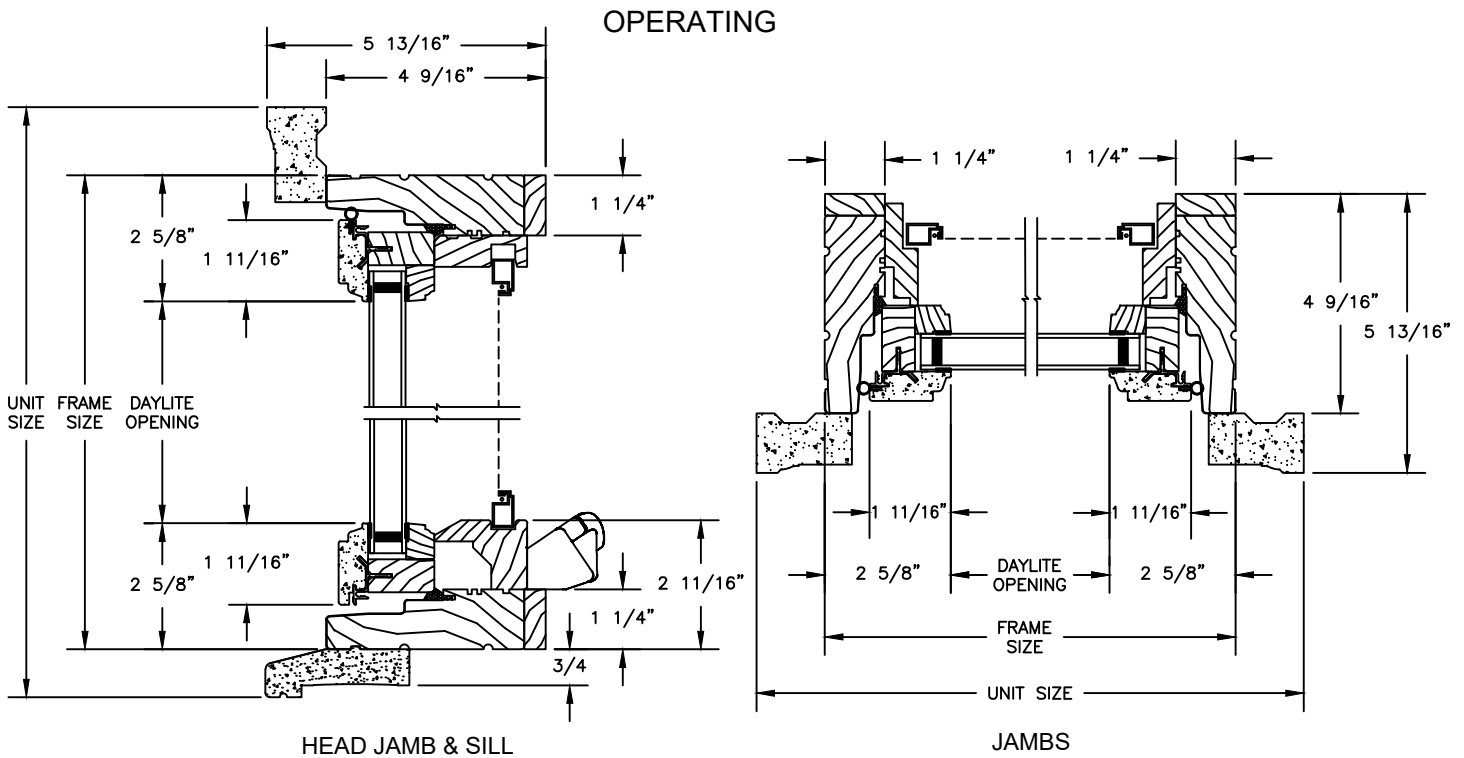


Legend Series

LEGEND CASEMENT

SECTION DETAILS : OPERATING / STATIONARY
 SCALE: 3" = 1'-0"

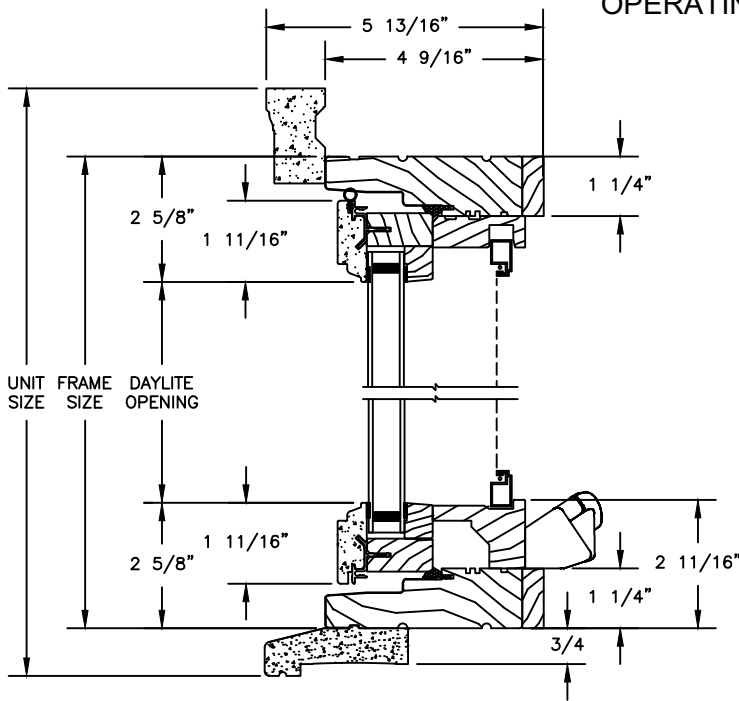


Legend Series

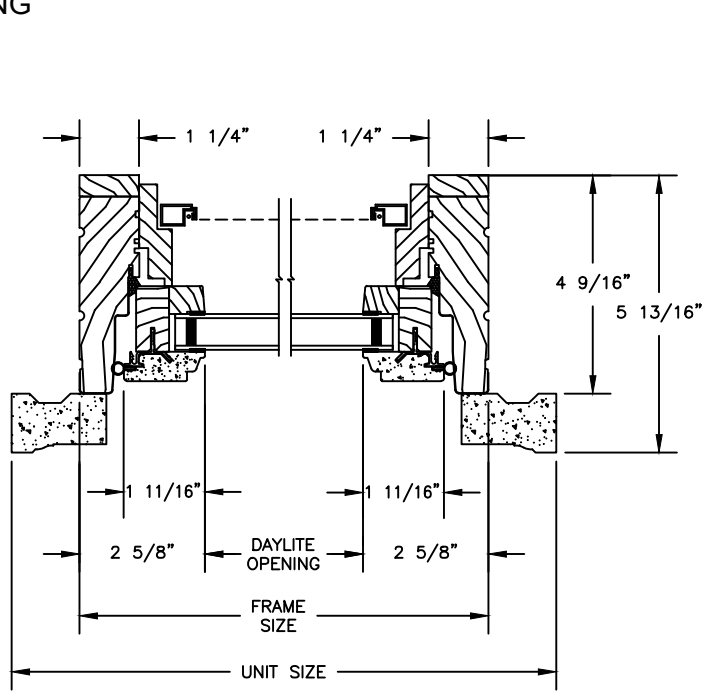
LEGEND CASEMENT

SECTION DETAILS : OPERATING / STATIONARY WITH CONTEMPORARY STOPS
 SCALE: 3" = 1'-0"

OPERATING

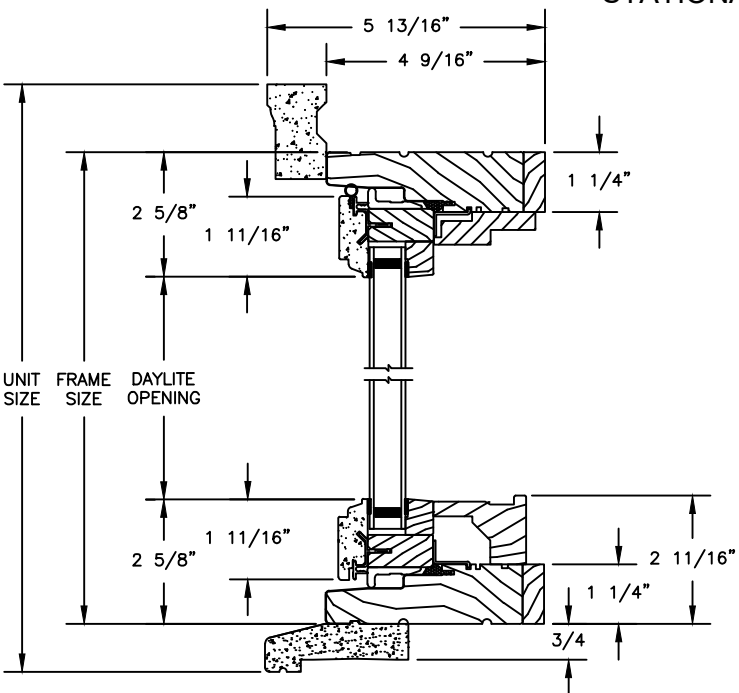


HEAD JAMB & SILL

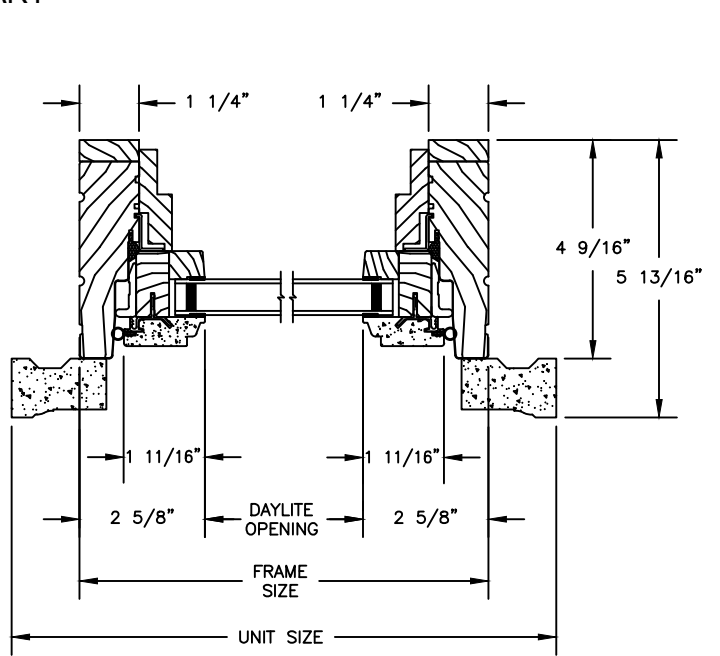


JAMBS

STATIONARY



HEAD JAMB & SILL



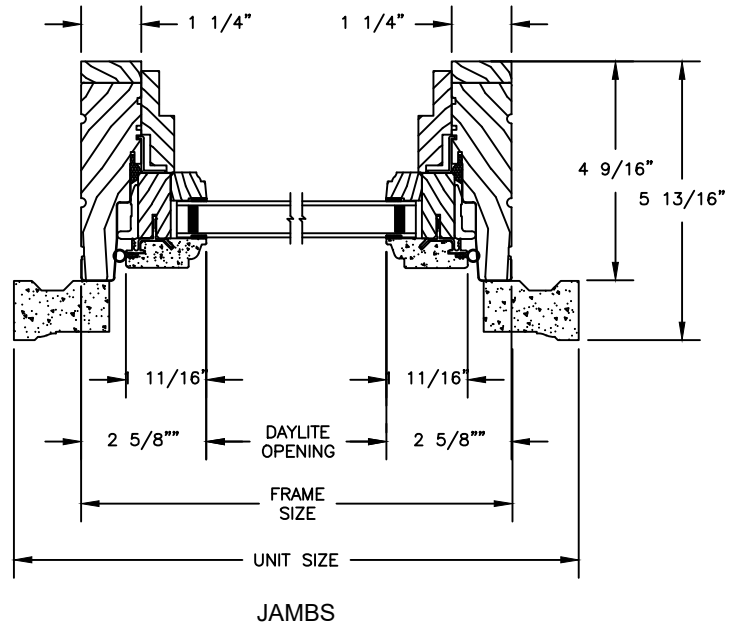
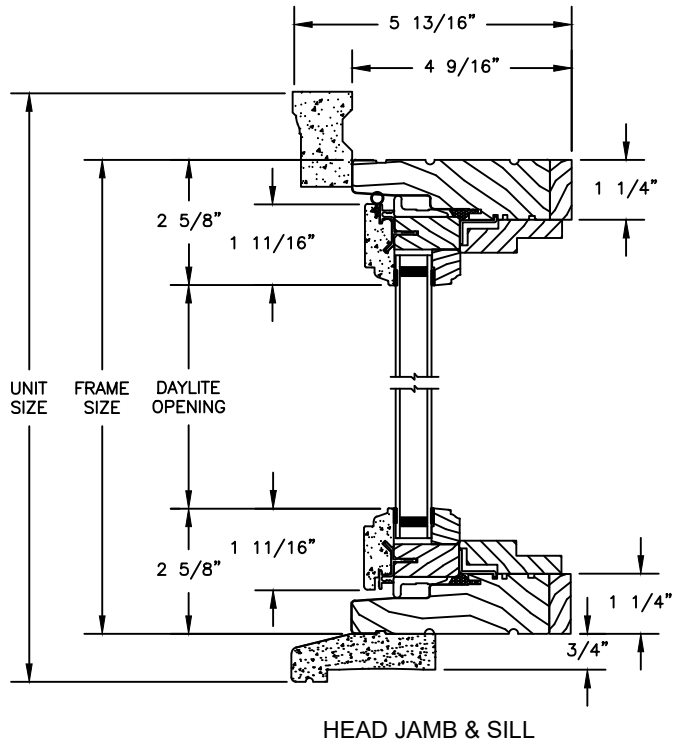
JAMBS

Legend Series

LEGEND CASEMENT

ELEVATIONS : PICTURE / TRANSOM

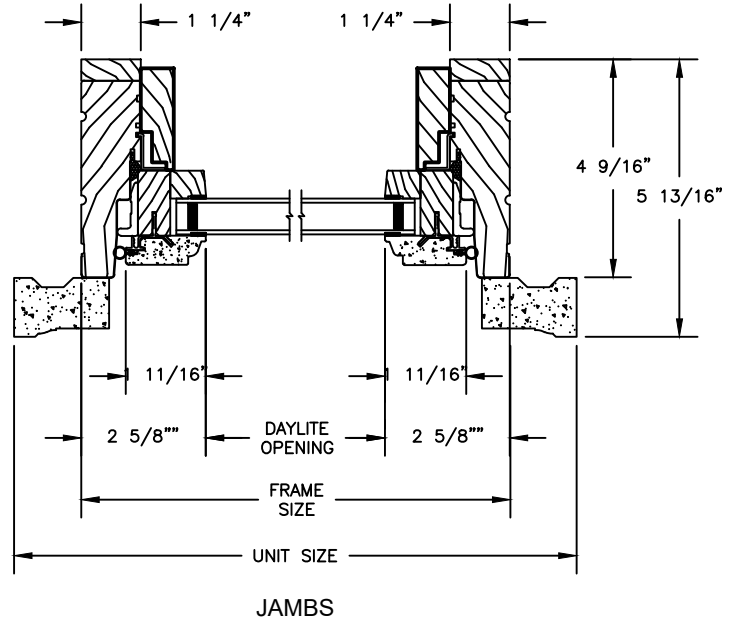
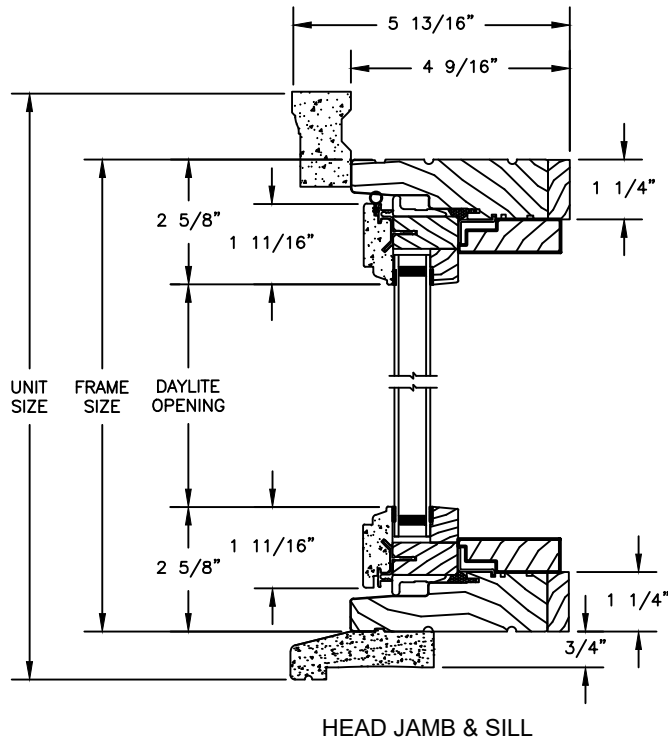
SCALE: 3" = 1'-0"



Legend Series

LEGEND CASEMENT

ELEVATIONS : PICTURE WITH CONTEMPORARY STOPS
 SCALE: 3" = 1'-0"

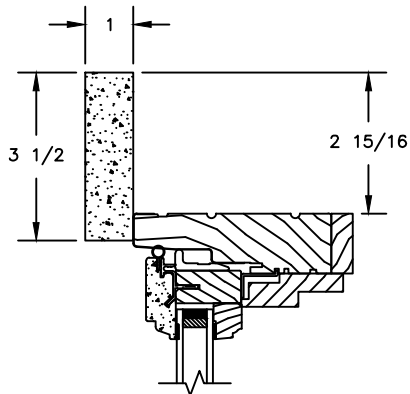


Legend Series

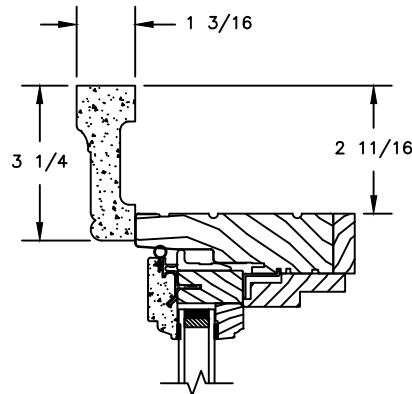
LEGEND CASEMENT

ELEVATIONS : CASINGS

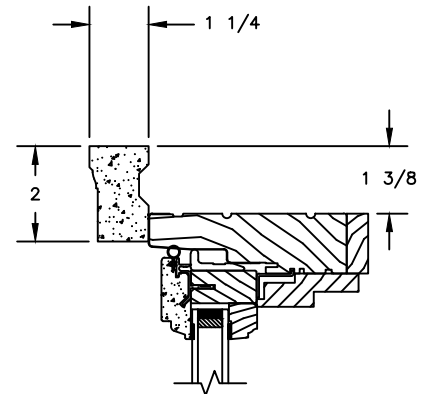
SCALE: 3" = 1'-0"



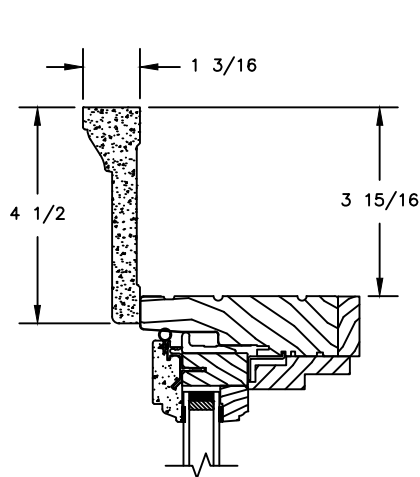
HEAD JAMB WITH
3 1/2" FLAT CASING



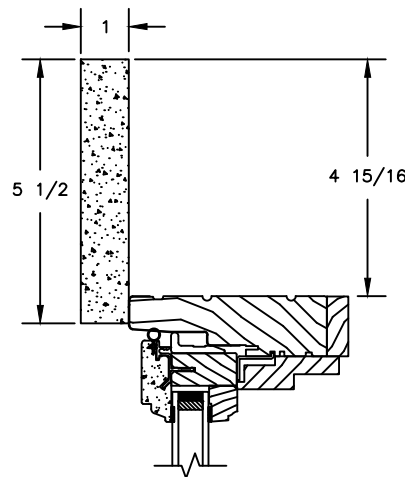
HEAD JAMB WITH
WILLIAMSBURG BRICKMOULD



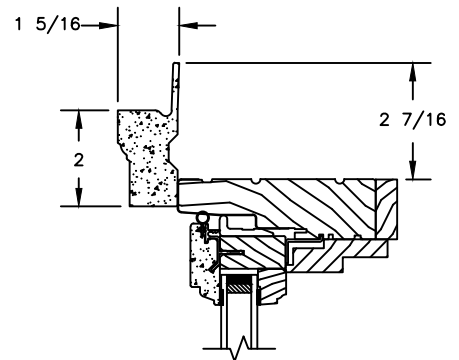
HEAD JAMB WITH
WM180 BRICKMOULD



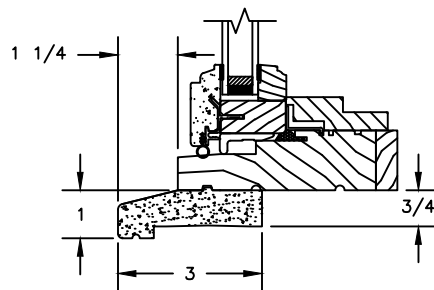
HEAD JAMB WITH
4 1/2" BACKBAND



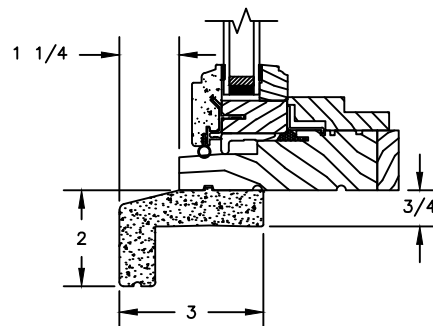
HEAD JAMB WITH
5 1/2" FLAT CASING



HEAD JAMB WITH
180 FLANGED BRICKMOULD



STANDARD SUBSILL



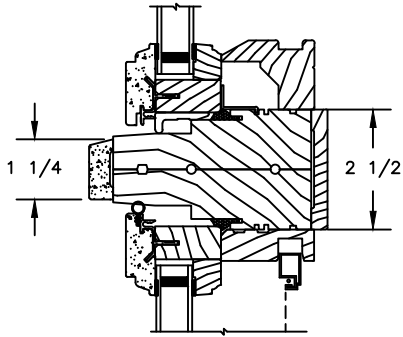
2" SUBSILL

Legend Series

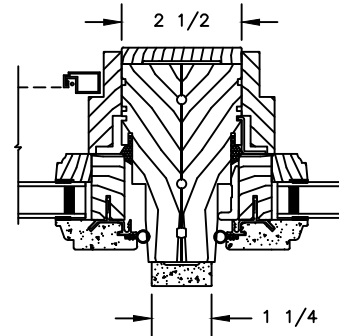
LEGEND CASEMENT

SECTION DETAILS : MULLIONS

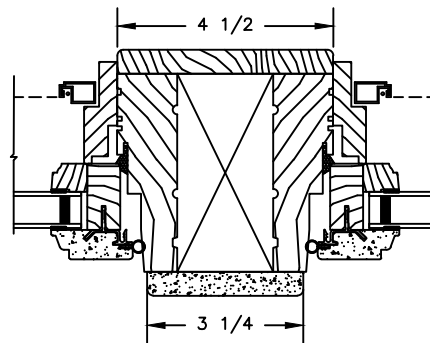
SCALE: 3" = 1'-0"



HORIZONTAL MULLION
STATIONARY/OPERATOR



VERTICAL MULLION
OPERATOR/PICTURE



VERTICAL MULLION WITH
2" SPREAD MULL
ADDITIONAL WIDTHS INCLUDE:
1" - 5"




Legend Series

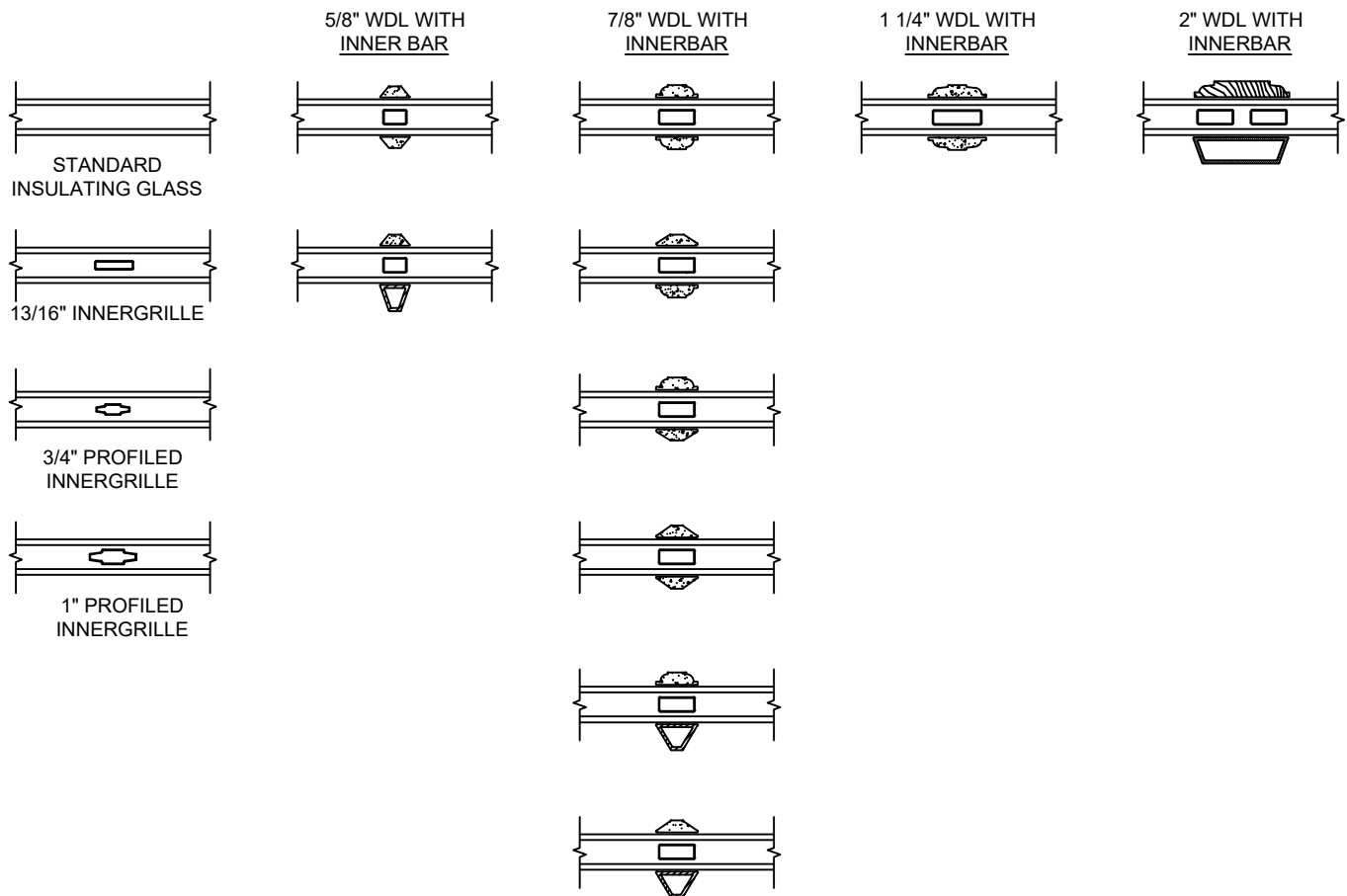
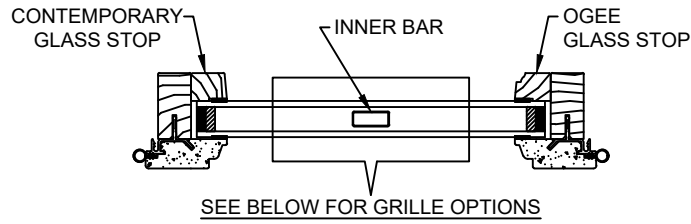
LEGEND CASEMENT

SECTION DETAILS : GLASS STOP & DIVIDED LITE OPTIONS

SCALE: 3" = 1'-0"

AVAILABLE STYLES

-  - PUTTY
-  - TALL PUTTY
-  - OGEE

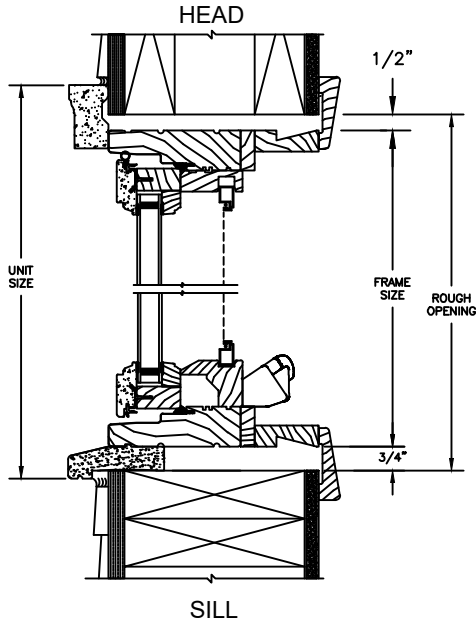


NOTE:
* ALL WDL OPTIONS CAN BE ORDERED WITH OR WITHOUT INNER BAR

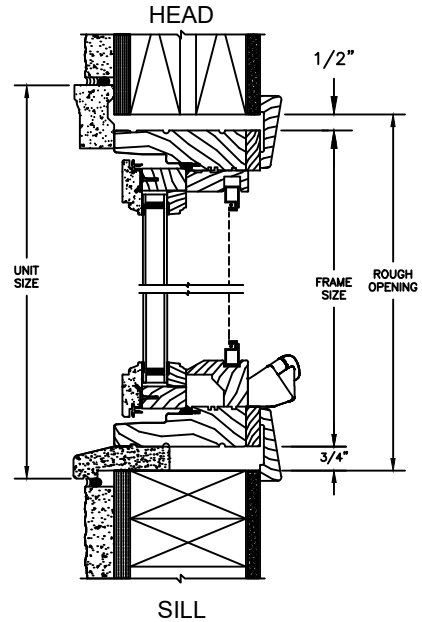
Legend Series

LEGEND CASEMENT

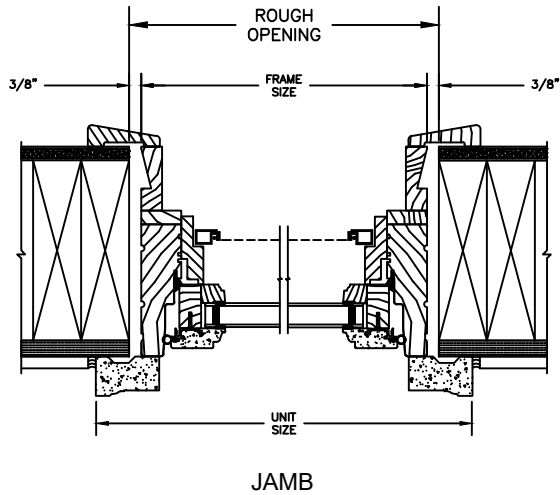
SECTION DETAILS : CONSTRUCTION
 SCALE: 2" = 1'-0"



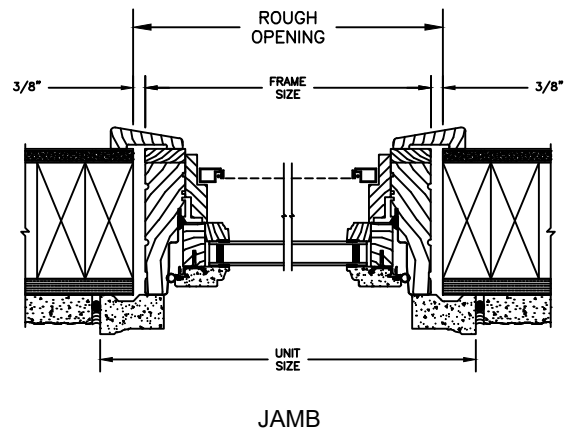
2 X 6 FRAME WITH SIDING



2 X 4 FRAME WITH STUCCO



2 X 6 FRAME WITH SIDING



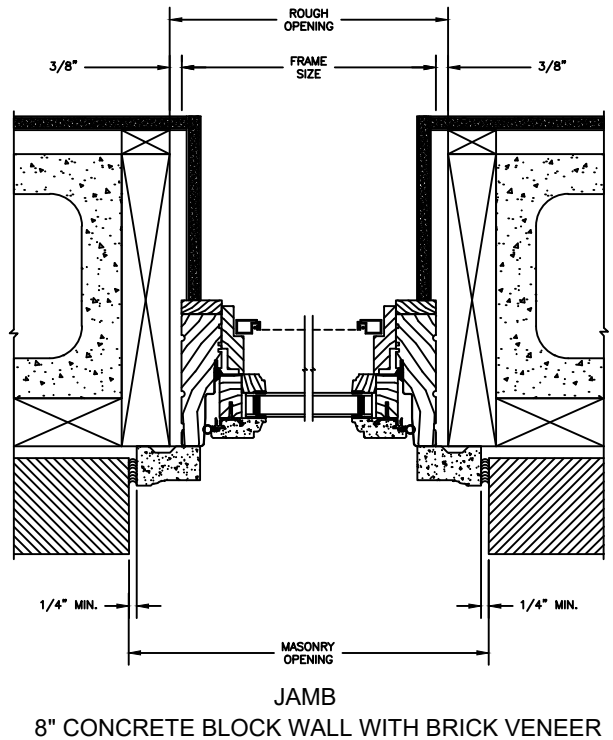
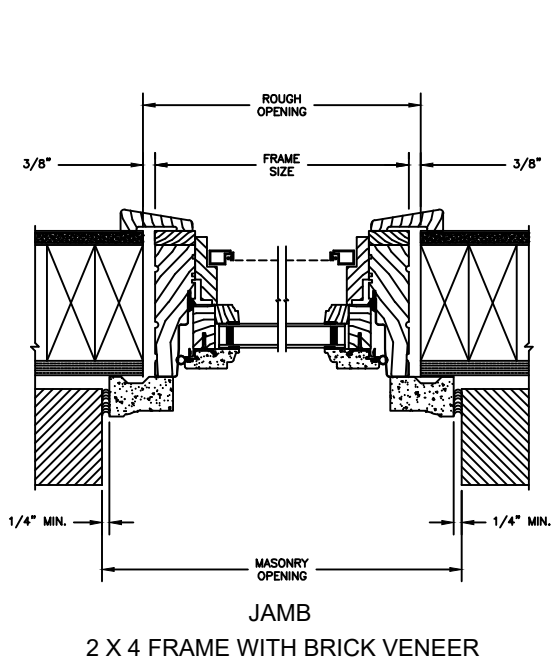
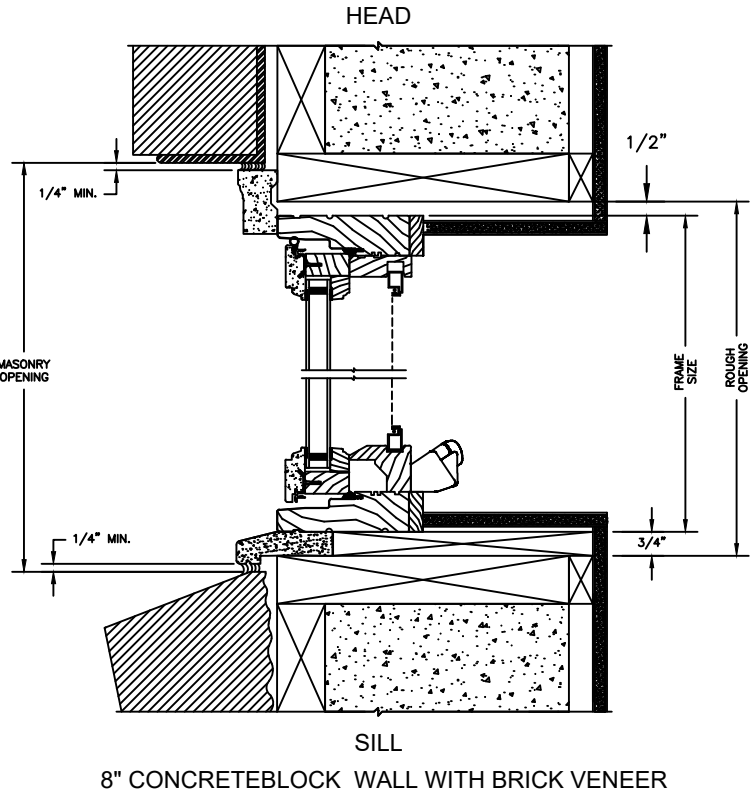
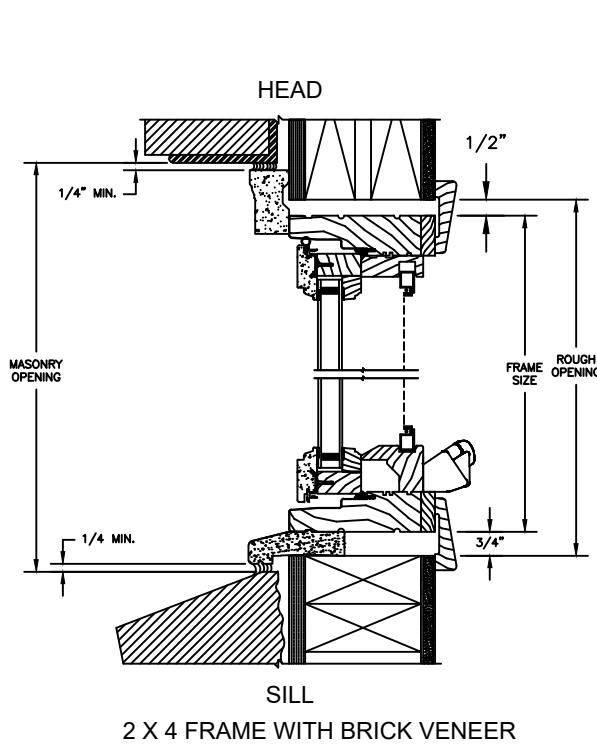
2 X 4 FRAME WITH STUCCO

NOTE :
 THE ABOVE WALL SECTIONS REPRESENT TYPICAL WALL CONDITIONS, THESE DETAILS ARE NOT INTENDED AS INSTALLATIONS INSTRUCTIONS.
 PLEASE REFER TO THE INSTALLATION INSTRUCTIONS PROVIDED WITH THE PURCHASED UNITS.

Legend Series

LEGEND CASEMENT

SECTION DETAILS : CONSTRUCTION
 SCALE: 2" = 1'-0"



NOTE :
 THE ABOVE WALL SECTIONS REPRESENT TYPICAL WALL CONDITIONS, THESE DETAILS ARE NOT INTENDED AS INSTALLATIONS INSTRUCTIONS.
 PLEASE REFER TO THE INSTALLATION INSTRUCTIONS PROVIDED WITH THE PURCHASED UNITS.

Legend Series

LEGEND CASEMENT

SECTION DETAILS : 30 / 45 DEGREE BAY
NOT TO SCALE

