

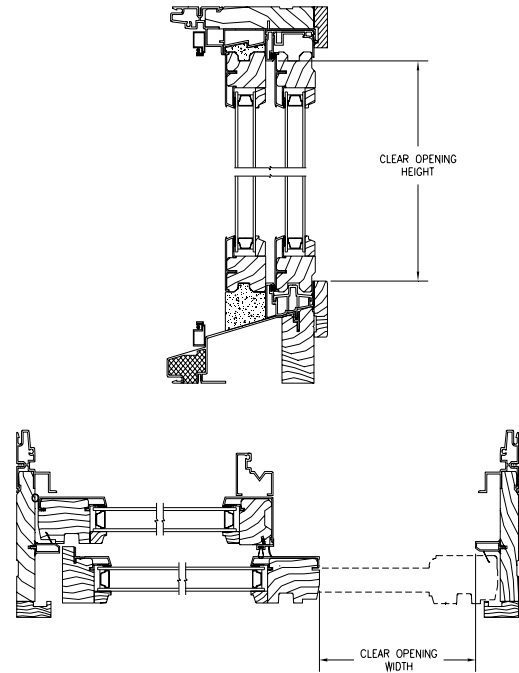
# Pinnacle Series

## CLAD GLIDE BY

### EGRESS, LITE & SCREEN MEASUREMENTS

Egress, Lite and Vent Measurements									
Glide By									
Size	Egress Width	Egress Height**	Sq. Ft. Egress	Egress Code Compliance*			Screen Sizes		Sq. Ft. Daylite
				U.S.		Canada	Width	Height	
				5.0 ft <sup>2</sup>	5.7 ft <sup>2</sup>				
1616	16.25	17.88	2.02	-	-	-	18 15/16	20 13/16	3.13
1620	16.25	21.88	2.47	-	-	-	18 15/16	24 13/16	3.96
1628	16.25	29.88	3.37	-	-	-	18 15/16	32 13/16	5.63
1632	16.25	33.88	3.82	-	-	Y	18 15/16	36 13/16	6.46
1636	16.25	37.88	4.27	-	-	Y	18 15/16	40 13/16	7.29
1640	16.25	41.88	4.73	-	-	Y	18 15/16	44 13/16	8.13
1648	16.25	49.88	5.63	-	-	Y	18 15/16	52 15/16	9.79
1654	16.25	55.88	6.31	-	-	Y	18 15/16	58 13/16	11.04
2016	20.25	17.88	2.51	-	-	-	22 15/16	20 13/16	3.96
2020	20.25	21.88	3.08	-	-	-	22 15/16	24 13/16	5.01
2028	20.25	29.88	4.20	-	-	Y	22 15/16	32 13/16	7.13
2032	20.25	33.88	4.76	-	-	Y	22 15/16	36 13/16	8.18
2036	20.25	37.88	5.33	Y	-	Y	22 15/16	40 13/16	9.24
2040	20.25	41.88	5.89	Y	Y	Y	22 15/16	44 13/16	10.29
2048	20.25	49.88	7.01	Y	Y	Y	22 15/16	52 15/16	12.40
2054	20.25	55.88	7.86	Y	Y	Y	22 15/16	58 13/16	13.99
2416	24.25	17.88	3.01	-	-	-	26 15/16	20 13/16	4.79
2420	24.25	21.88	3.68	-	-	-	26 15/16	24 13/16	6.07
2428	24.25	29.88	5.03	Y	-	Y	26 15/16	32 13/16	8.63
2432	24.25	33.88	5.71	Y	Y	Y	26 15/16	36 13/16	9.90
2436	24.25	37.88	6.38	Y	Y	Y	26 15/16	40 13/16	11.18
2440	24.25	41.88	7.05	Y	Y	Y	26 15/16	44 13/16	12.46
2448	24.25	49.88	8.40	Y	Y	Y	26 15/16	52 15/16	15.01
2454	24.25	55.88	9.41	Y	Y	Y	26 15/16	58 13/16	16.93
2616	26.25	17.88	3.26	-	-	-	28 15/16	20 13/16	5.21
2620	26.25	21.88	3.99	-	-	Y	28 15/16	24 13/16	6.60
2628	26.25	29.88	5.45	Y	-	Y	28 15/16	32 13/16	9.38
2632	26.25	33.88	6.18	Y	Y	Y	28 15/16	36 13/16	10.76
2636	26.25	37.88	6.91	Y	Y	Y	28 15/16	40 13/16	12.15
2640	26.25	41.88	7.63	Y	Y	Y	28 15/16	44 13/16	13.54
2648	26.25	49.88	9.09	Y	Y	Y	28 15/16	52 15/16	16.32
2654	26.25	55.88	10.19	Y	Y	Y	28 15/16	58 13/16	18.40
2816	28.25	17.88	3.51	-	-	-	30 15/16	20 13/16	5.63
2820	28.25	21.88	4.29	-	-	Y	30 15/16	24 13/16	7.13
2828	28.25	29.88	5.86	Y	Y	Y	30 15/16	32 13/16	10.13
2832	28.25	33.88	6.65	Y	Y	Y	30 15/16	36 13/16	11.63
2836	28.25	37.88	7.43	Y	Y	Y	30 15/16	40 13/16	13.13
2840	28.25	41.88	8.22	Y	Y	Y	30 15/16	44 13/16	14.63
2848	28.25	49.88	9.79	Y	Y	Y	30 15/16	52 15/16	17.63
2854	28.25	55.88	10.96	Y	Y	Y	30 15/16	58 13/16	19.88
3216	32.25	17.88	4.00	-	-	Y	34 15/16	20 13/16	6.46
3220	32.25	21.88	4.90	-	-	Y	34 15/16	24 13/16	8.18
3228	32.25	29.88	6.69	Y	Y	Y	34 15/16	32 13/16	11.63
3232	32.25	33.88	7.59	Y	Y	Y	34 15/16	36 13/16	13.35
3236	32.25	37.88	8.48	Y	Y	Y	34 15/16	40 13/16	15.07
3240	32.25	41.88	9.38	Y	Y	Y	34 15/16	44 13/16	16.79
3248	32.25	49.88	11.17	Y	Y	Y	34 15/16	52 15/16	20.24
3254	32.25	55.88	12.51	Y	Y	Y	34 15/16	58 13/16	22.82

\*\* For DP Upgrade units:  
 Subtract 1/2" from Egress Height  
 Egress Width does not change  
 To get sq.ft: Multiply (Width x Height) / 144



Egress Conversions	
Width	Glass + 0.25"
Height	Glass + 1.88"

#### \* Egress Code Compliance Terminology

- Y Meets Code
- Does Not Meet Code

Code Requirements	Min Width	Min Height	Min Area (sq. ft.)
U.S.	20"	24"	5.7
U.S. Grade Floor	20"	24"	5.0
Canada	15"	15"	3.77

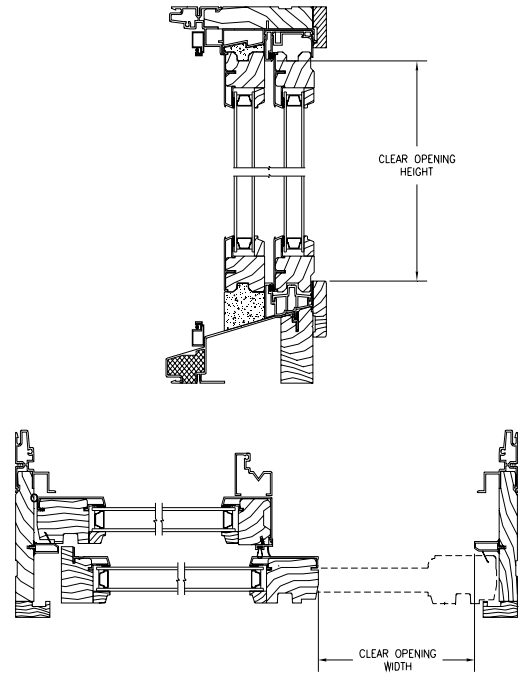
# Pinnacle Series

## CLAD GLIDE BY

### EGRESS, LITE & SCREEN MEASUREMENTS

Egress, Lite and Vent Measurements									
Glide By - End Vent									
Size	Egress Width	Egress Height**	Sq. Ft. Egress	Egress Code Compliance*			Screen Sizes		Sq. Ft. Daylite
				U.S.		Canada	Width	Height	
				5.0 ft <sup>2</sup>	5.7 ft <sup>2</sup>				
16-32-1628	17.19	29.88	3.57	-	-	-	18 15/16	32 13/16	5.63
16-32-1640	17.19	41.88	5.00	-	-	Y	18 15/16	44 13/16	8.13
16-32-1648	17.19	49.88	5.95	-	-	Y	18 15/16	52 13/16	9.79
16-32-1654	17.19	55.88	6.67	-	-	Y	18 15/16	58 13/16	11.04
20-40-2028	21.19	29.88	4.40	-	-	Y	22 15/16	32 13/16	7.13
20-40-2040	21.19	41.88	6.16	Y	Y	Y	22 15/16	44 13/16	10.29
20-40-2048	21.19	49.88	7.34	Y	Y	Y	22 15/16	52 13/16	12.40
20-40-2054	21.19	55.88	8.22	Y	Y	Y	22 15/16	58 13/16	13.99
28-28-2828	29.19	29.88	6.06	Y	Y	Y	30 15/16	32 13/16	10.13
28-28-2840	29.19	41.88	8.49	Y	Y	Y	30 15/16	44 13/16	14.63
28-28-2848	29.19	49.88	10.11	Y	Y	Y	30 15/16	52 13/16	17.63
28-28-2854	29.19	55.88	11.33	Y	Y	Y	30 15/16	58 13/16	19.88
24-48-2428	25.19	29.88	5.23	Y	-	Y	26 15/16	32 13/16	8.63
24-48-2440	25.19	41.88	7.33	Y	Y	Y	26 15/16	44 13/16	12.46
24-48-2448	25.19	49.88	8.73	Y	Y	Y	26 15/16	52 13/16	15.01
24-48-2454	25.19	55.88	9.78	Y	Y	Y	26 15/16	58 13/16	16.93

\*\* For DP Upgrade units:  
 Subtract 1/2" from Egress Height  
 Egress Width does not change  
 To get sq.ft: Multiply (Width x Height) / 144



Egress Conversions - End Vent	
Width	Glass + 1.19"
Height	Glass + 1.88"

#### \* Egress Code Compliance Terminology

- Y Meets Code
- Does Not Meet Code

Code Requirements	Min Width	Min Height	Min Area (sq.ft.)
U.S.	20"	24"	5.7
U.S. Grade Floor	20"	24"	5.0
Canada	15"	15"	3.77