

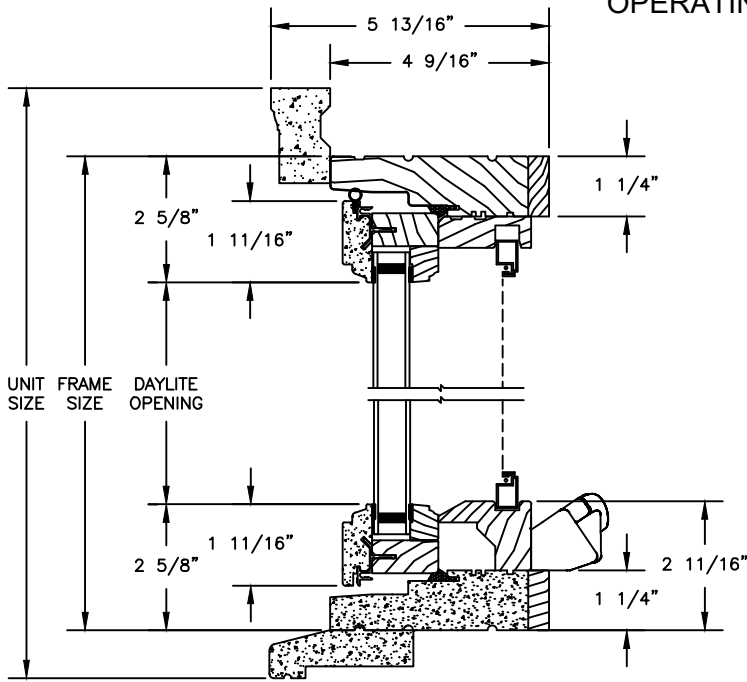
Legend Series

LEGEND AWNING

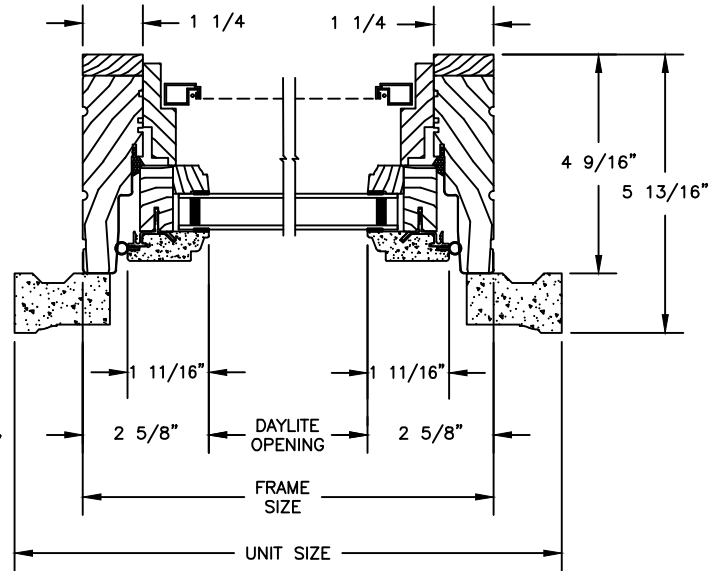
SECTION DETAILS : OPERATING / STATIONARY

SCALE: 3" = 1'-0"

OPERATING

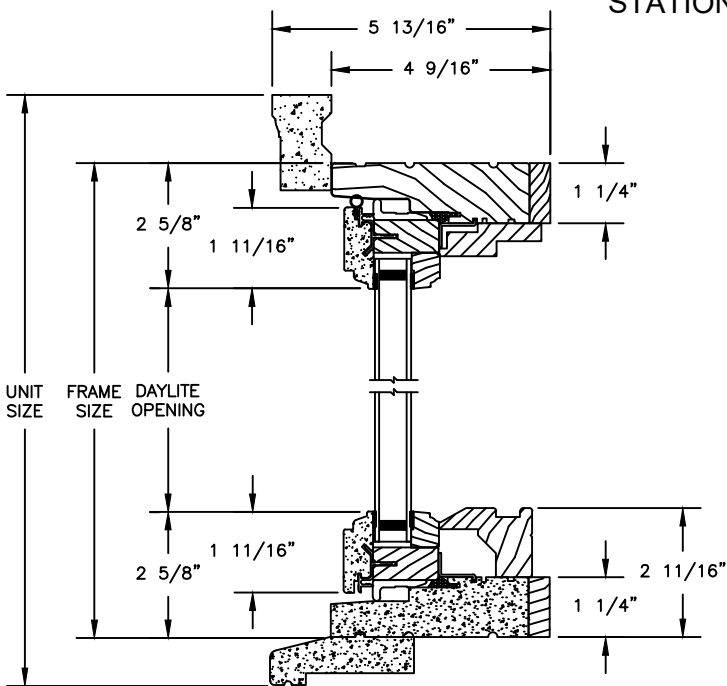


HEAD JAMB & SILL

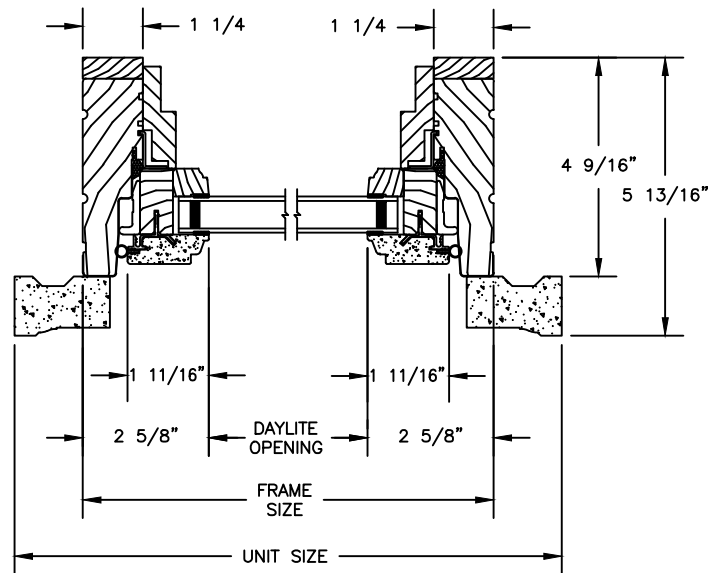


JAMBS

STATIONARY



HEAD JAMB & SILL

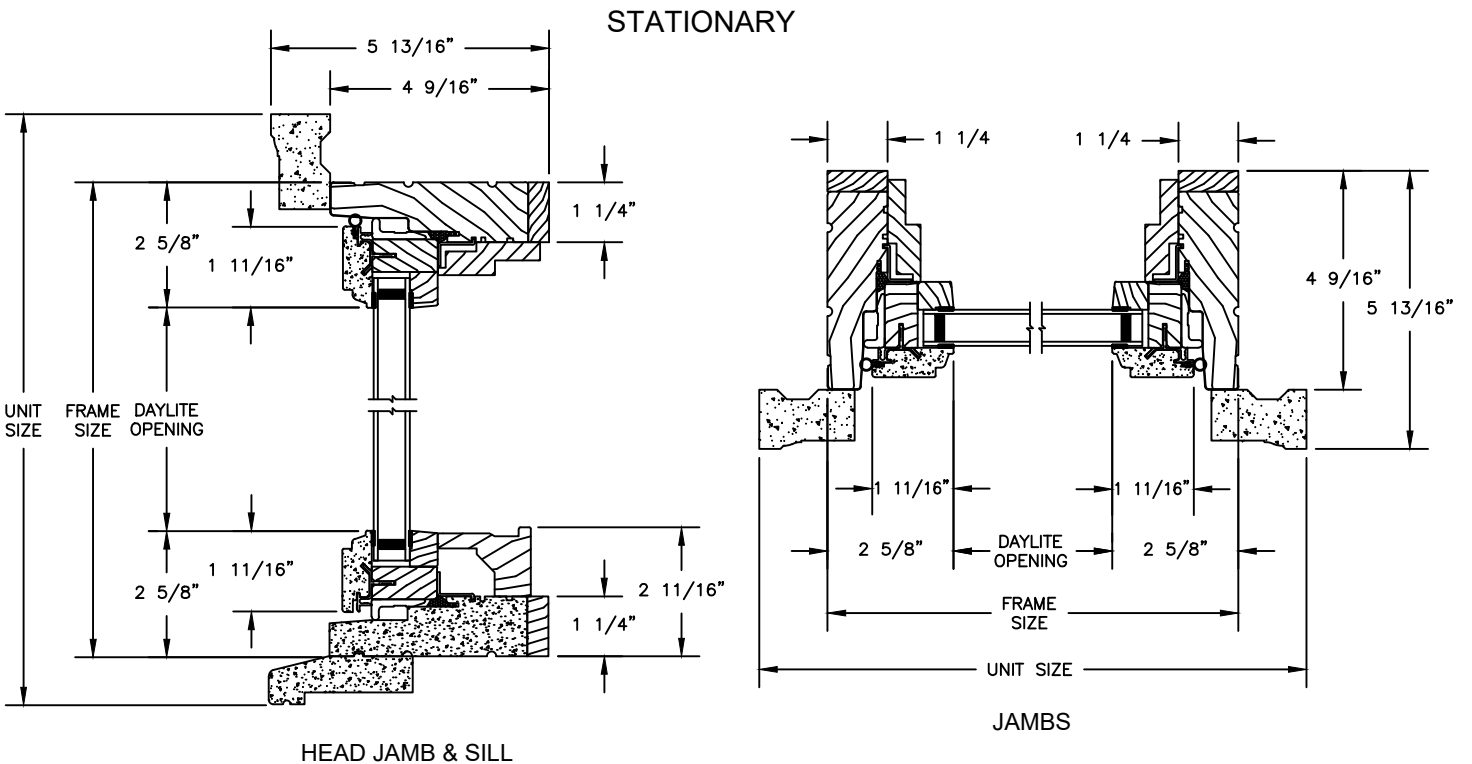
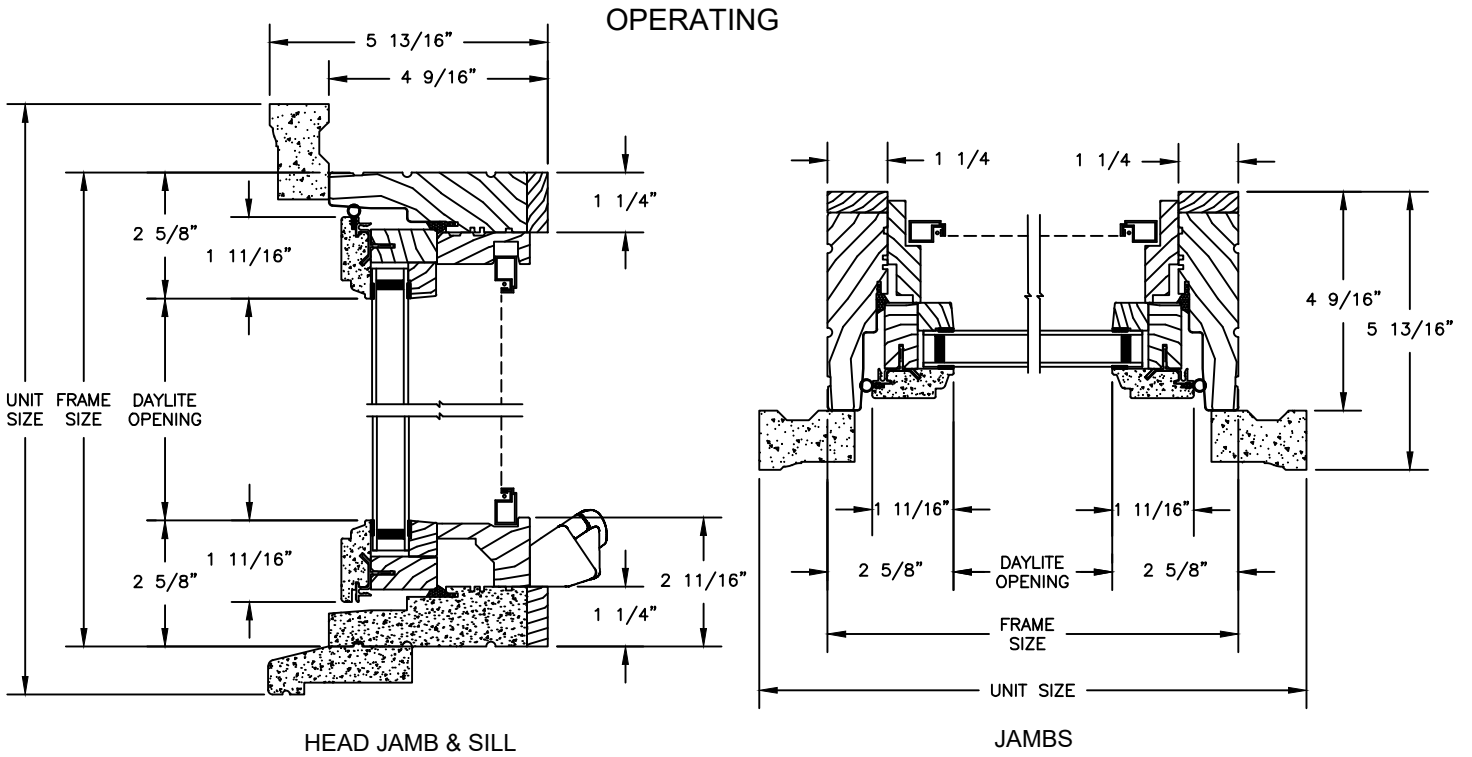


JAMBS

Legend Series

LEGEND AWNING

SECTION DETAILS : OPERATING / STATIONARY WITH CONTEMPORARY STOPS
 SCALE: 3" = 1'-0"

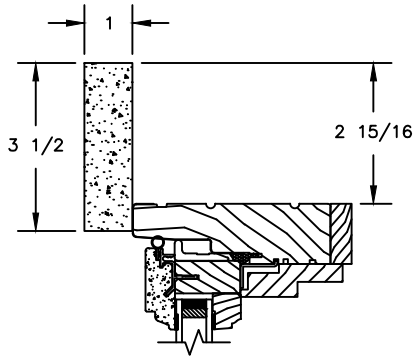


Legend Series

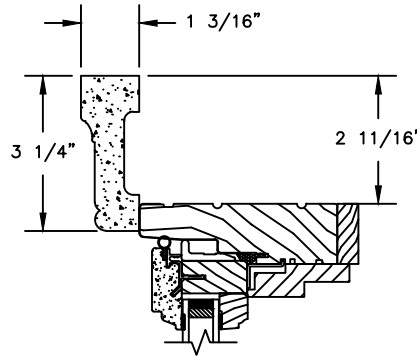
LEGEND AWNING

ELEVATIONS : CASING OPTIONS

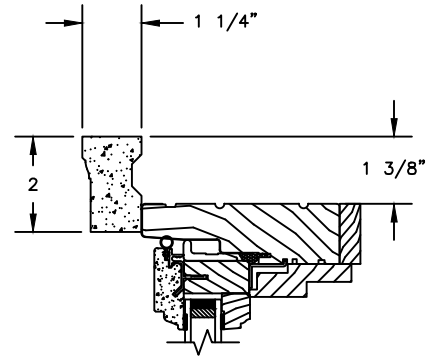
SCALE: 3" = 1'-0"



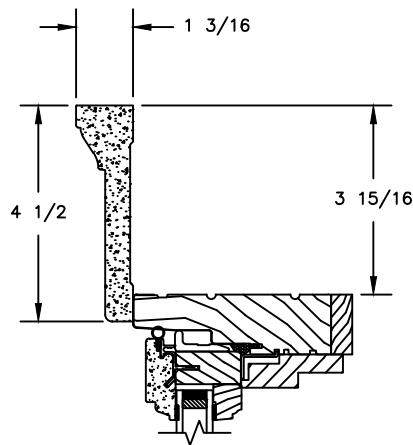
HEAD JAMB WITH
3 1/2" FLAT CASING



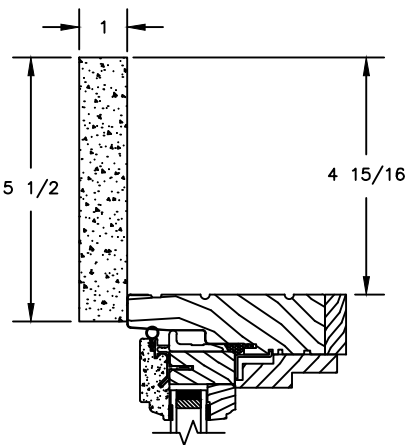
HEAD JAMB WITH
WILLIAMSBURG BRICKMOULD



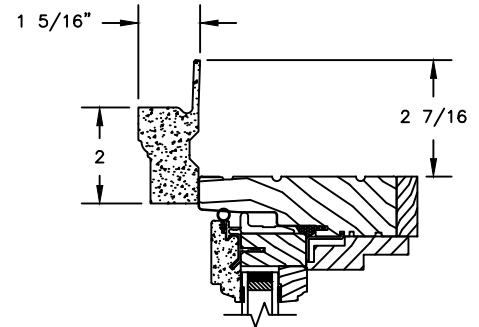
HEAD JAMB WITH
WM180 BRICKMOULD



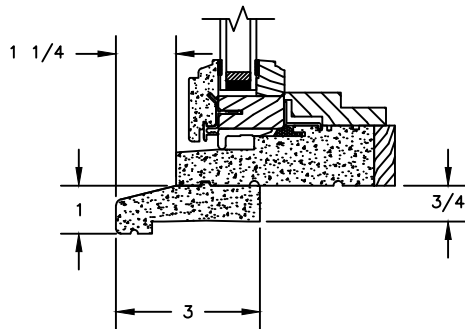
HEAD JAMB WITH
4 1/2" BACKBAND



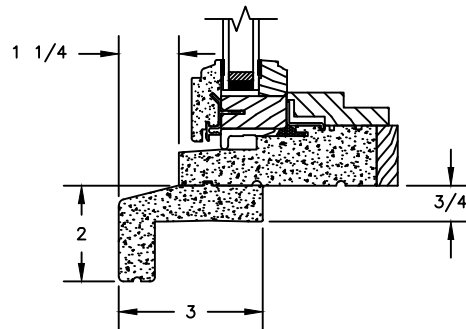
HEAD JAMB WITH
5 1/2" FLAT CASING



HEAD JAMB WITH
180 FLANGED BRICKMOULD



SILL WITH
STANDARD SUBSILL



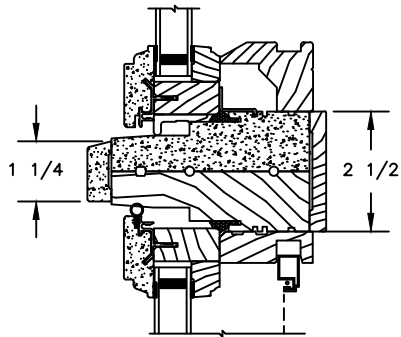
SILL WITH 2" SUBSILL

Legend Series

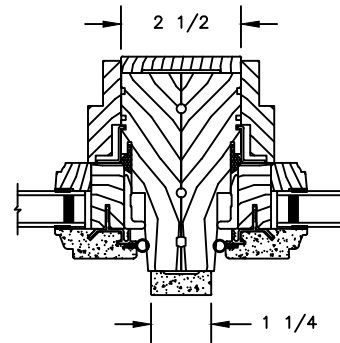
LEGEND AWNING

SECTION DETAILS : MULLIONS

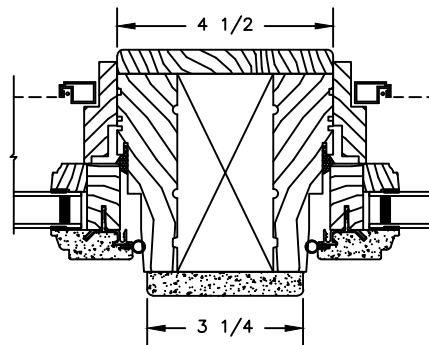
SCALE: 3" = 1'-0"



HORIZONTAL MULLION
STATIONARY/OPERATOR



VERTICAL MULLION
STATIONARY/STATIONARY



VERTICAL MULLION WITH
2" SPREAD MULL
ADDITIONAL WIDTHS INCLUDE:
1" - 5"




Legend Series

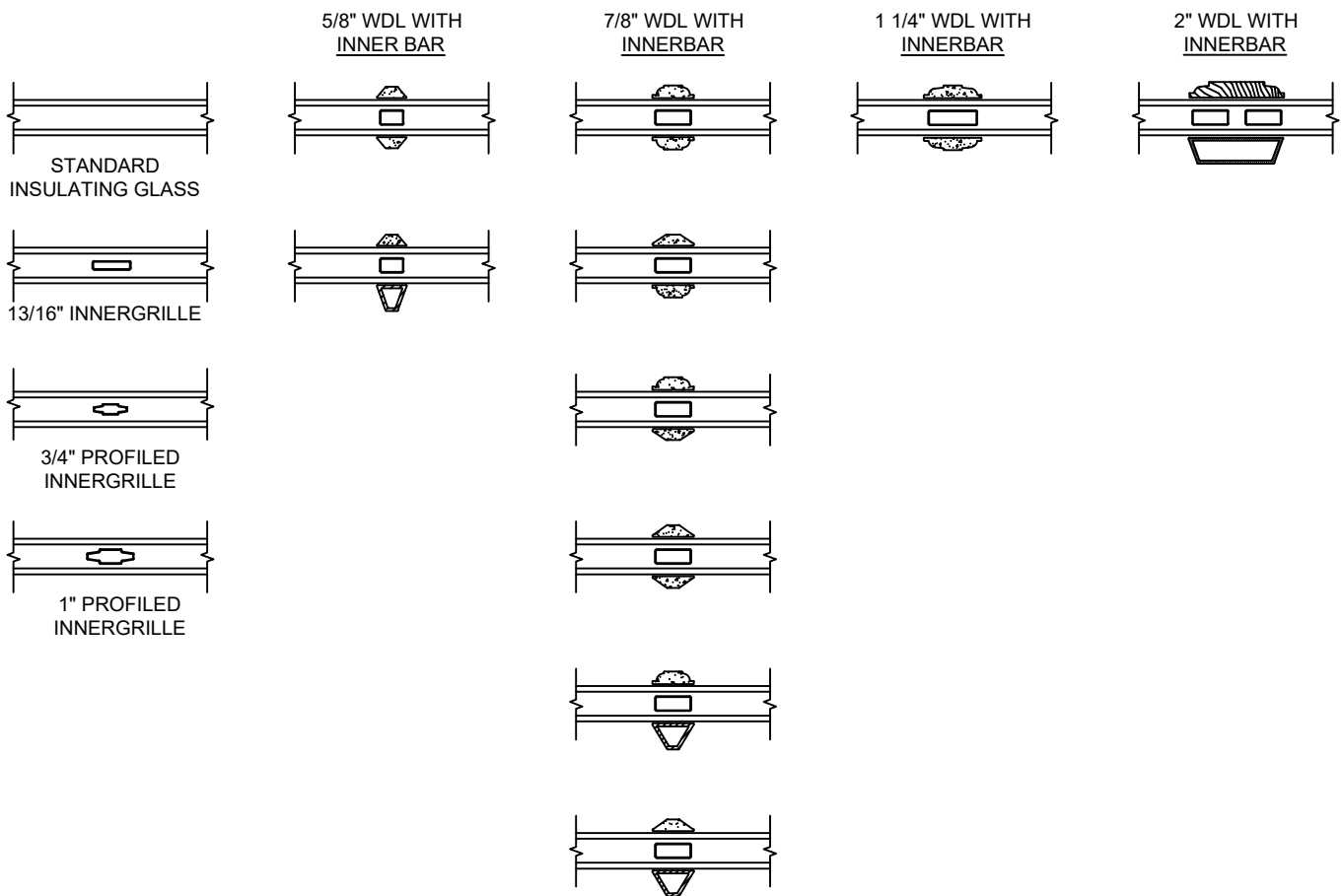
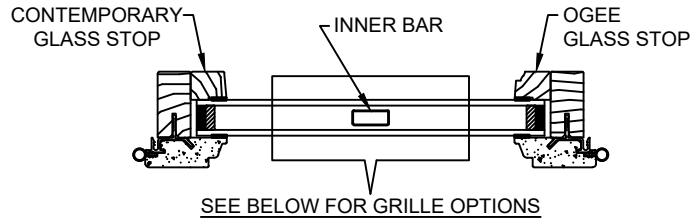
LEGEND AWNING

SECTION DETAILS : GLASS STOP & DIVIDED LITE OPTIONS

SCALE: 3" = 1'-0"

AVAILABLE STYLES

-  - PUTTY
-  - TALL PUTTY
-  - OGEE



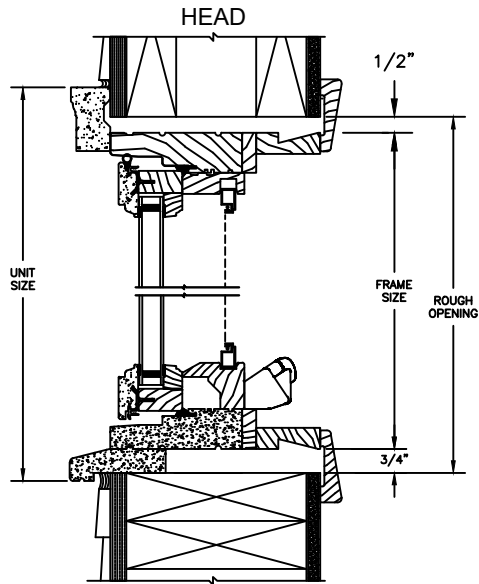
NOTE:
* ALL WDL OPTIONS CAN BE ORDERED WITH OR WITHOUT INNER BAR

Legend Series

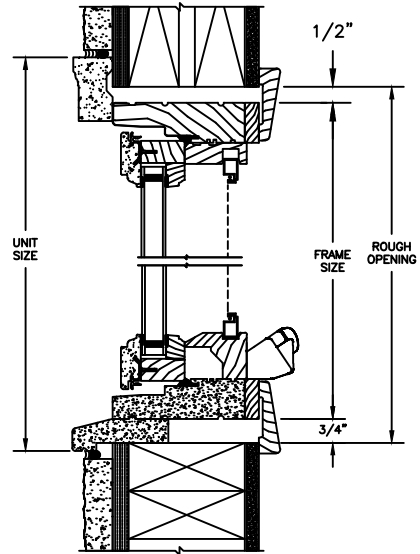
LEGEND AWNING

SECTION DETAILS : CONSTRUCTION

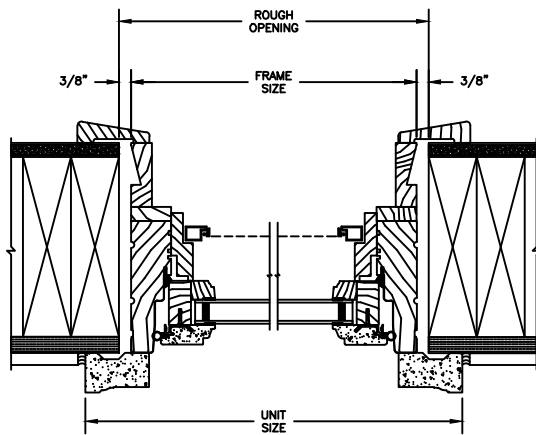
SCALE: 2" = 1'-0"



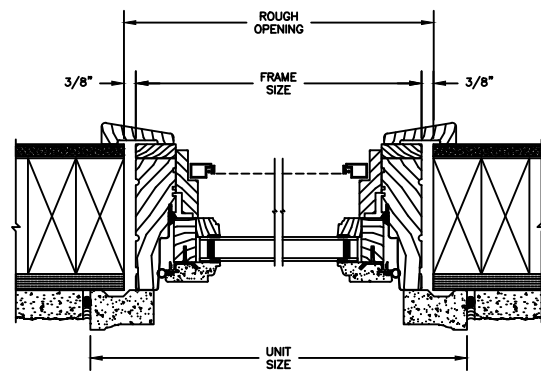
SILL
2 X 6 FRAME WITH SIDING



SILL
2 X 4 FRAME WITH STUCCO



JAMB
2 X 6 FRAME WITH SIDING



JAMB
2 X 4 FRAME WITH STUCCO

NOTE :

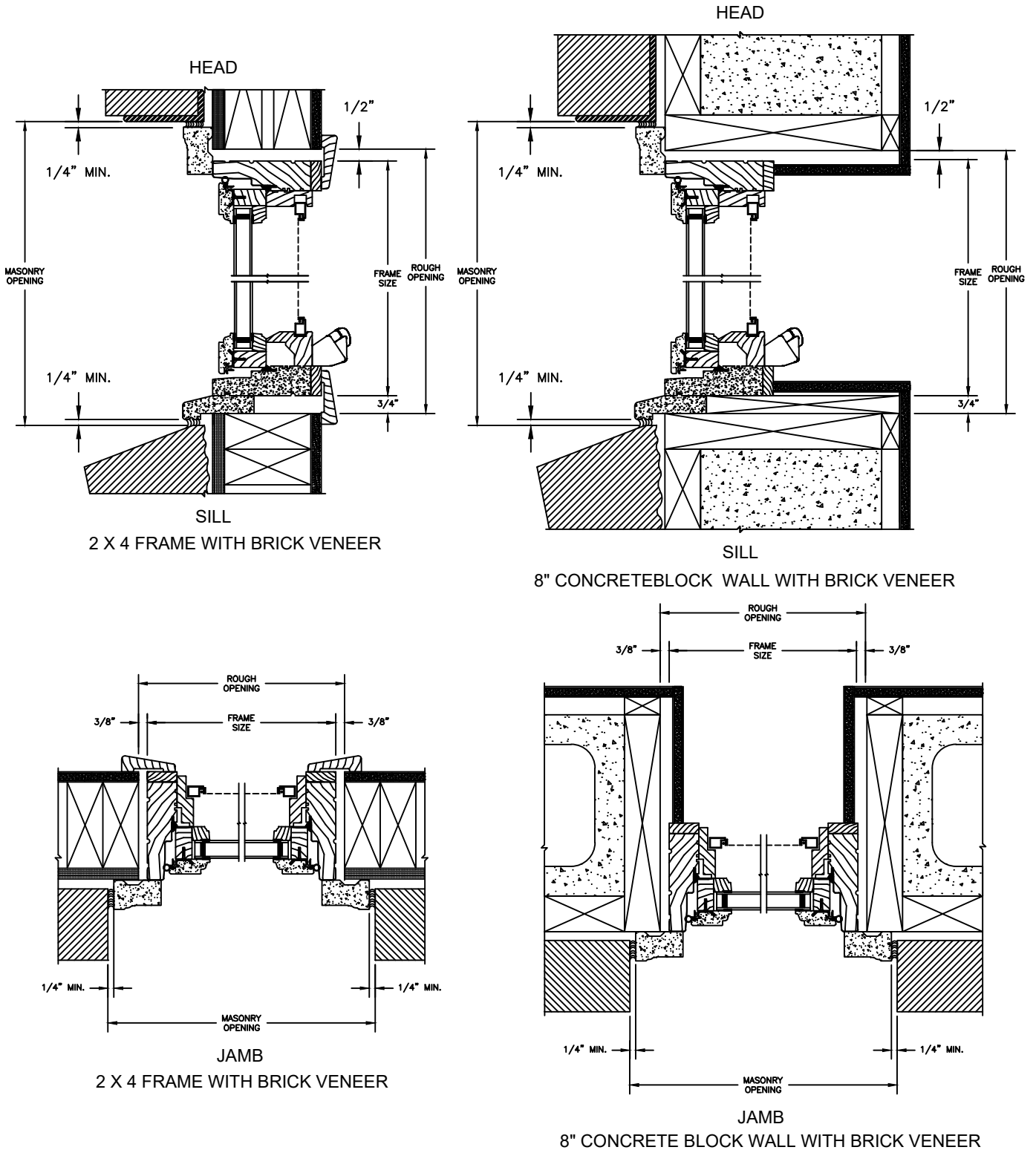
THE ABOVE WALL SECTIONS REPRESENT TYPICAL WALL CONDITIONS, THESE DETAILS ARE NOT INTENDED AS INSTALLATIONS INSTRUCTIONS. PLEASE REFER TO THE INSTALLATION INSTRUCTIONS PROVIDED WITH THE PURCHASED UNITS.

Legend Series

LEGEND AWNING

SECTION DETAILS : CONSTRUCTION

SCALE: 2" = 1'-0"



NOTE :
 THE ABOVE WALL SECTIONS REPRESENT TYPICAL WALL CONDITIONS, THESE DETAILS ARE NOT INTENDED AS INSTALLATIONS INSTRUCTIONS.
 PLEASE REFER TO THE INSTALLATION INSTRUCTIONS PROVIDED WITH THE PURCHASED UNITS.