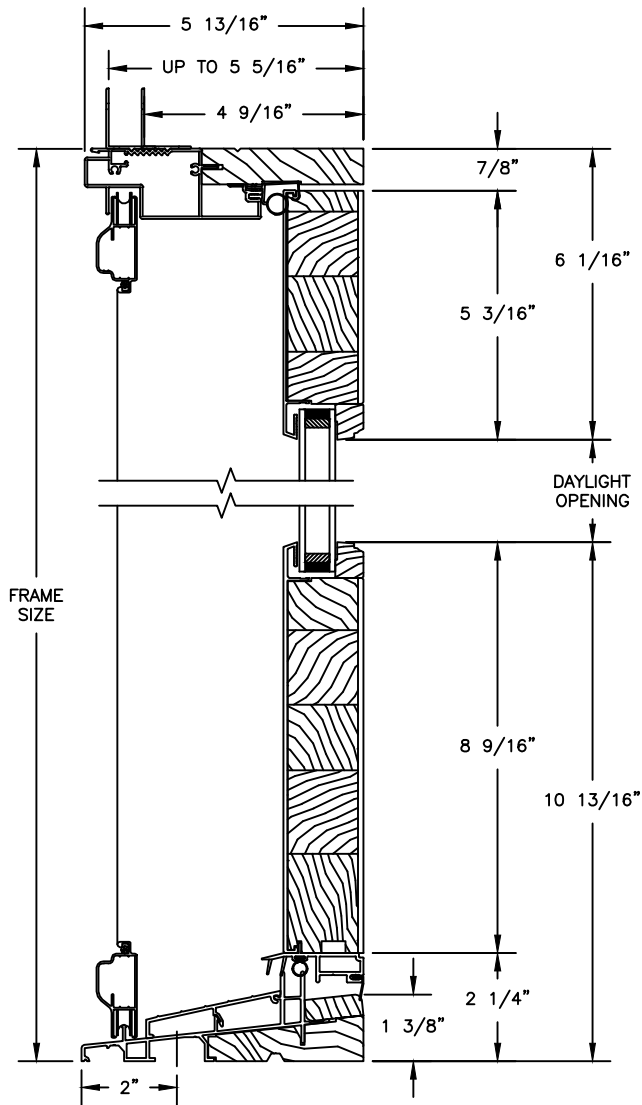


# Pinnacle Series

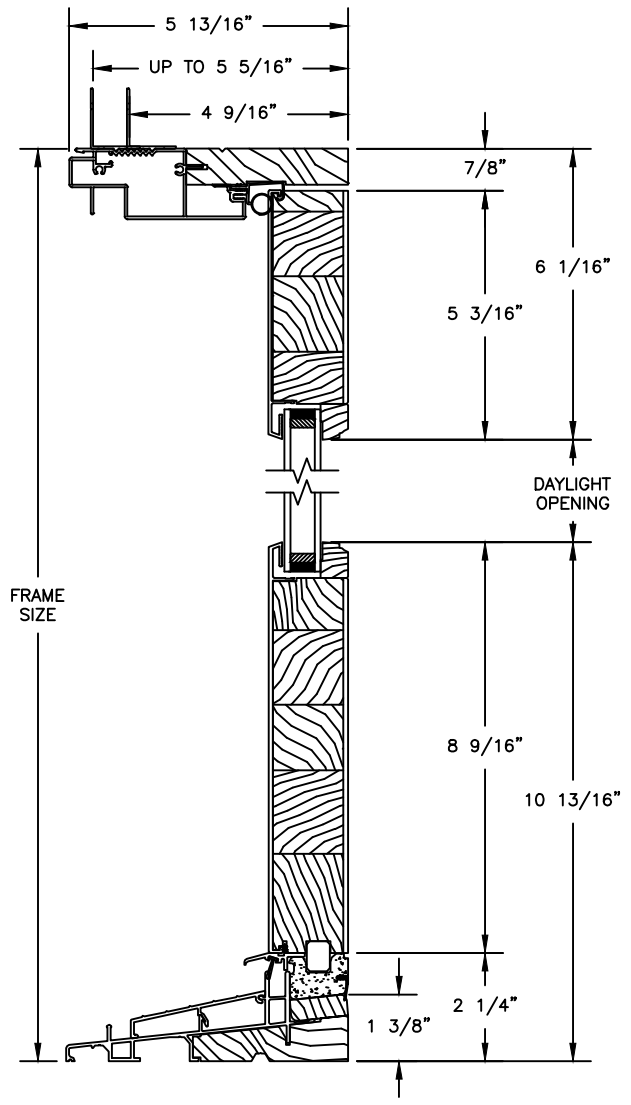
## CLAD PATIO DOOR - FRENCH INSWING

SECTION DETAILS 4 9/16" TO 5 5/16" JAMB

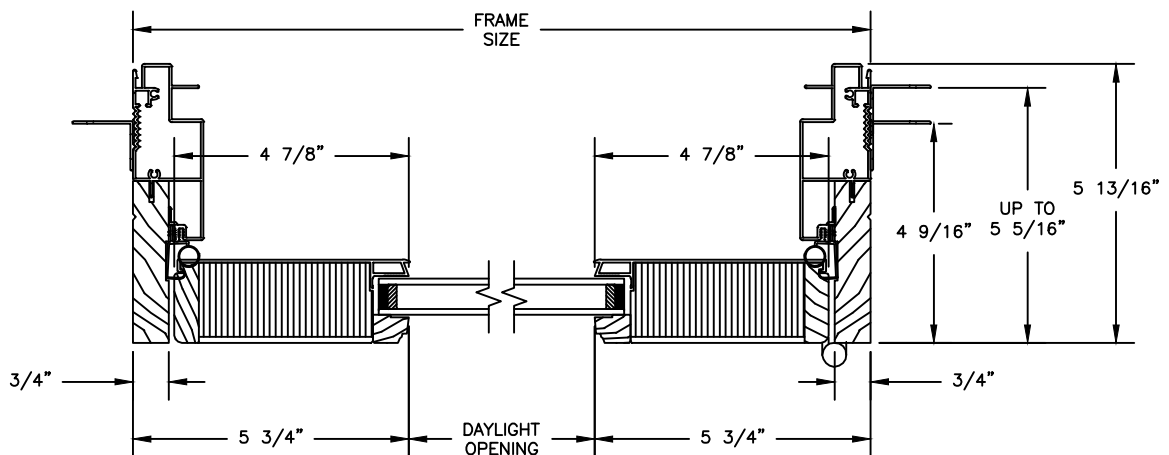
SCALE: 3" = 1'-0"



OPERATING HEAD JAMB & SILL



STATIONARY HEAD JAMB & SILL



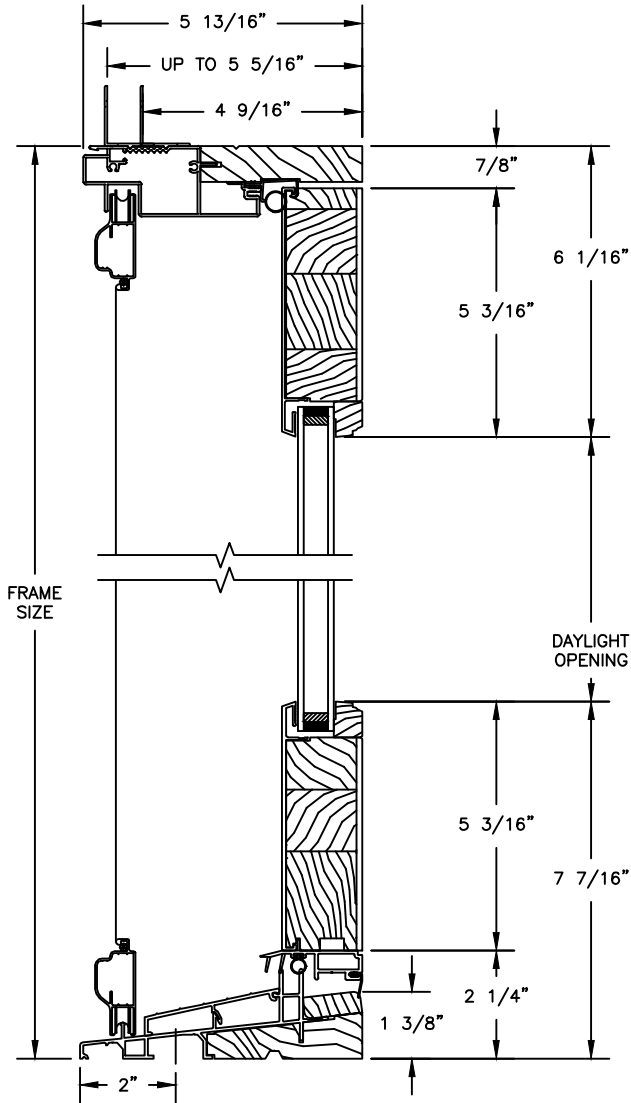
1 PANEL JAMB

# Pinnacle Series

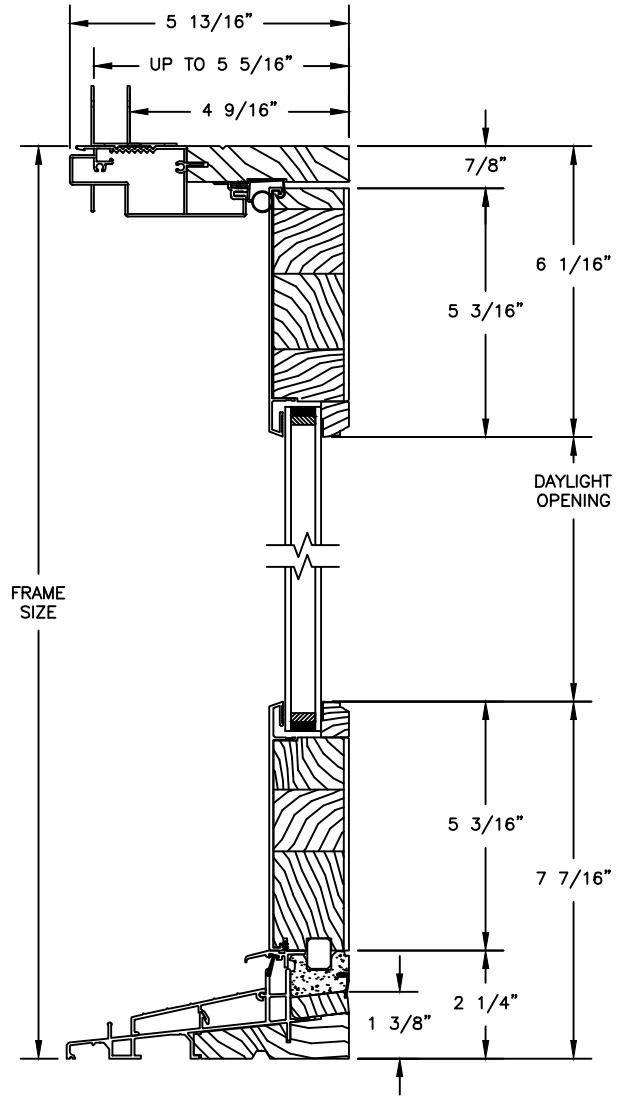
## CLAD PATIO DOOR - FRENCH INSWING

SECTION DETAILS 4 9/16" TO 5 5/16" JAMB 5" BOTTOM RAIL

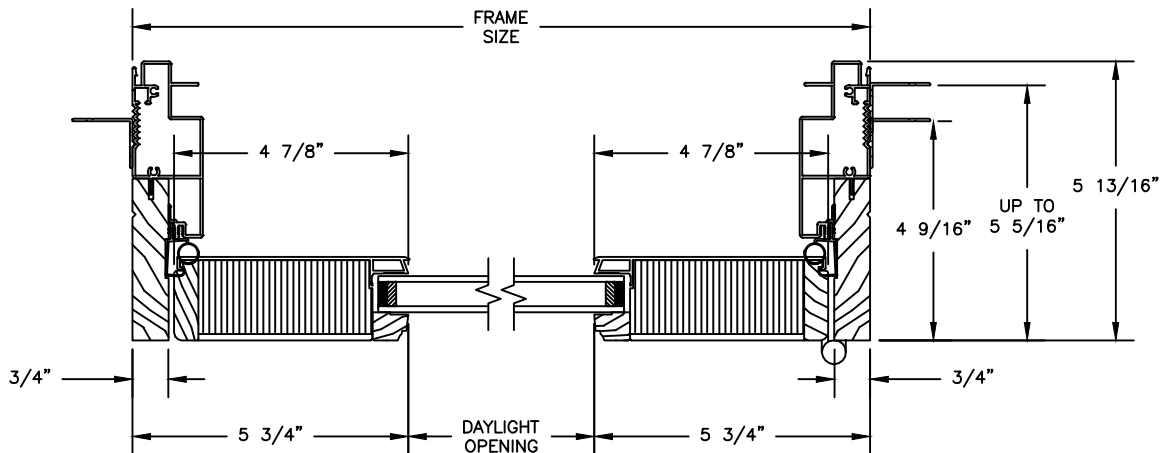
SCALE: 3" = 1'-0"



OPERATING HEAD JAMB & SILL



STATIONARY HEAD JAMB & SILL



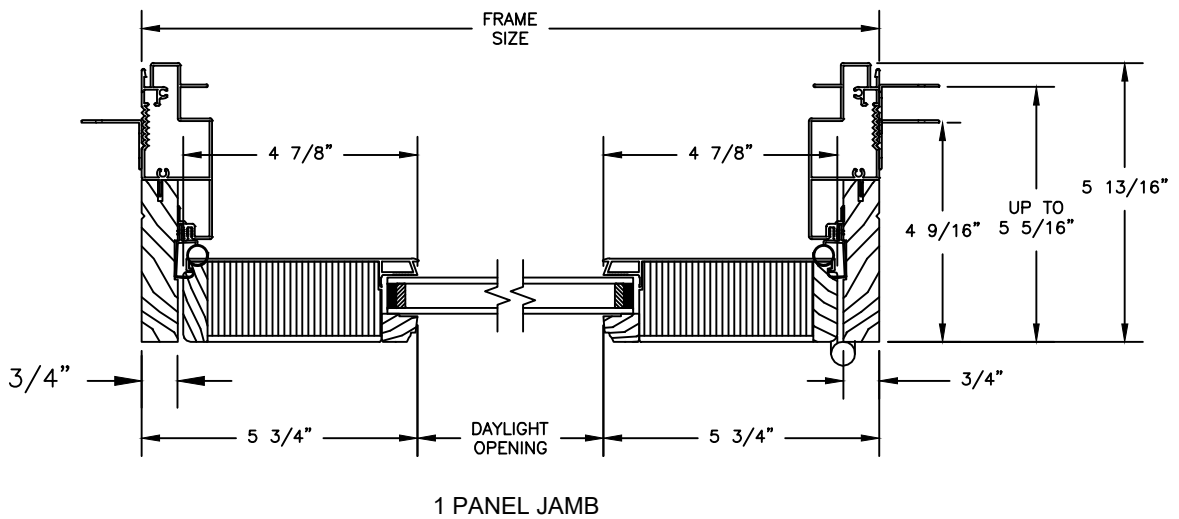
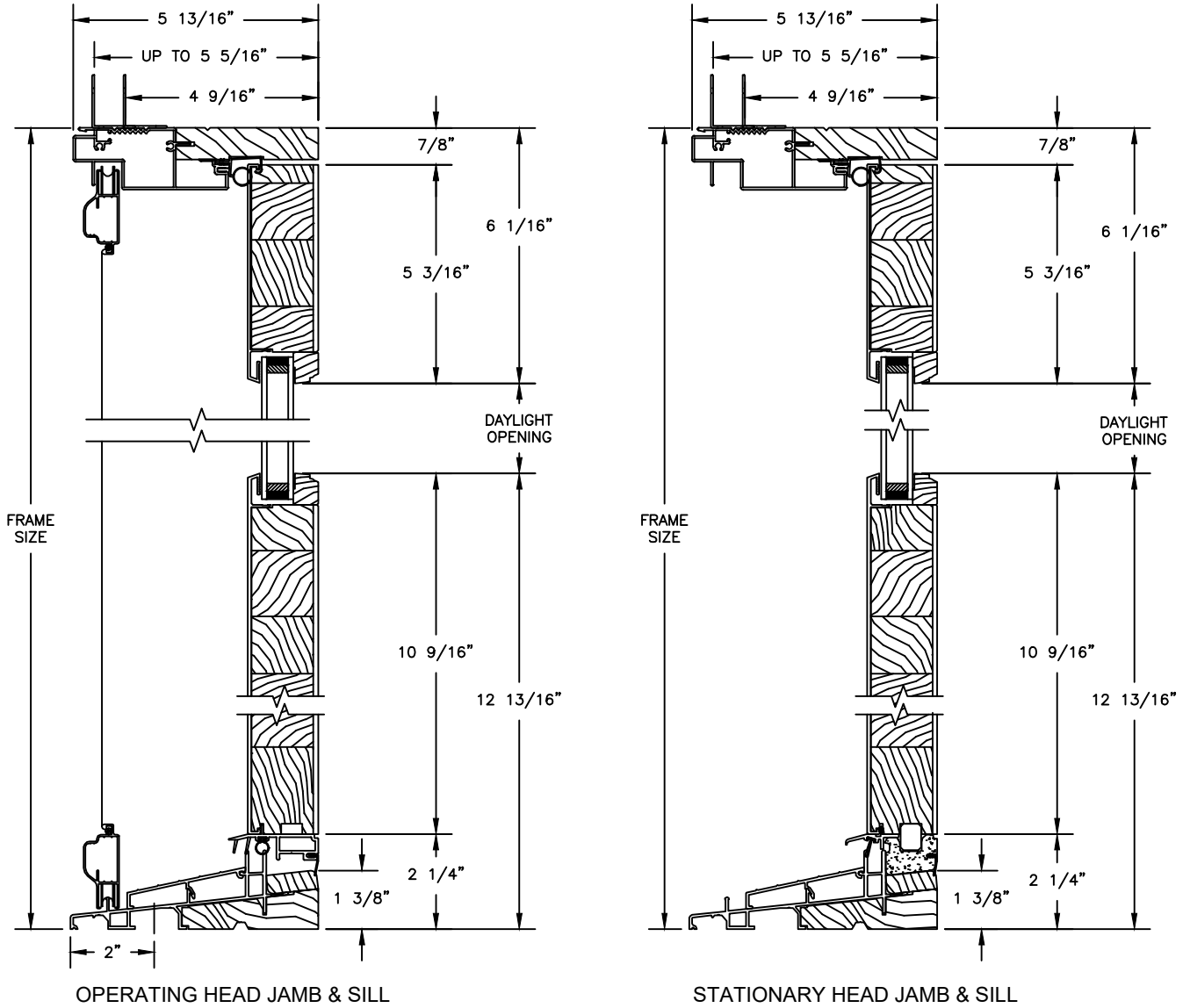
1 PANEL JAMB

# Pinnacle Series

## CLAD PATIO DOOR - FRENCH INSWING

SECTION DETAILS 4 9/16" TO 5 5/16" JAMB 10" BOTTOM RAIL

SCALE: 3" = 1'-0"

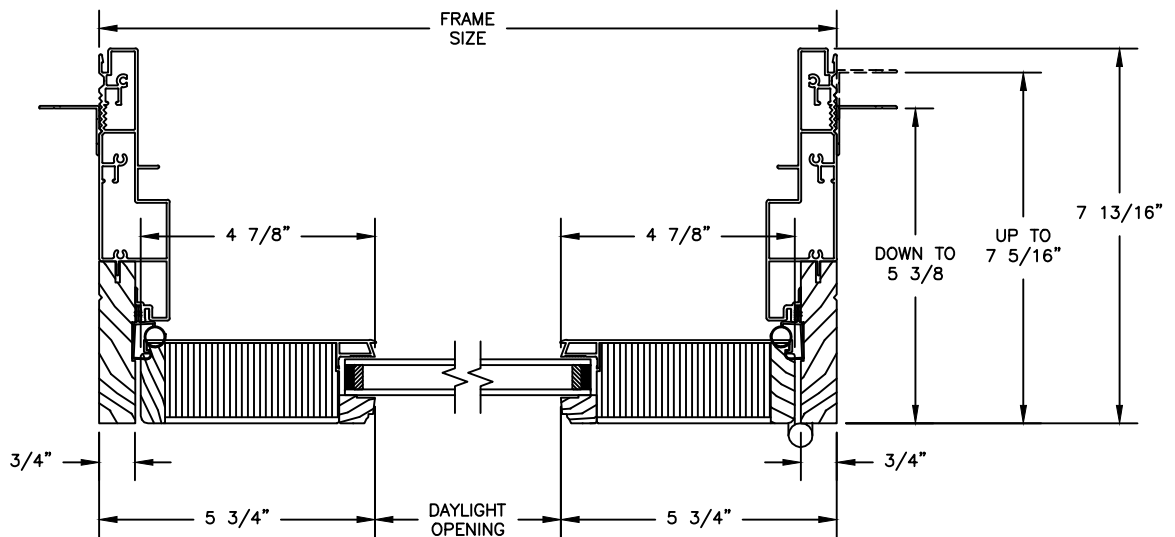
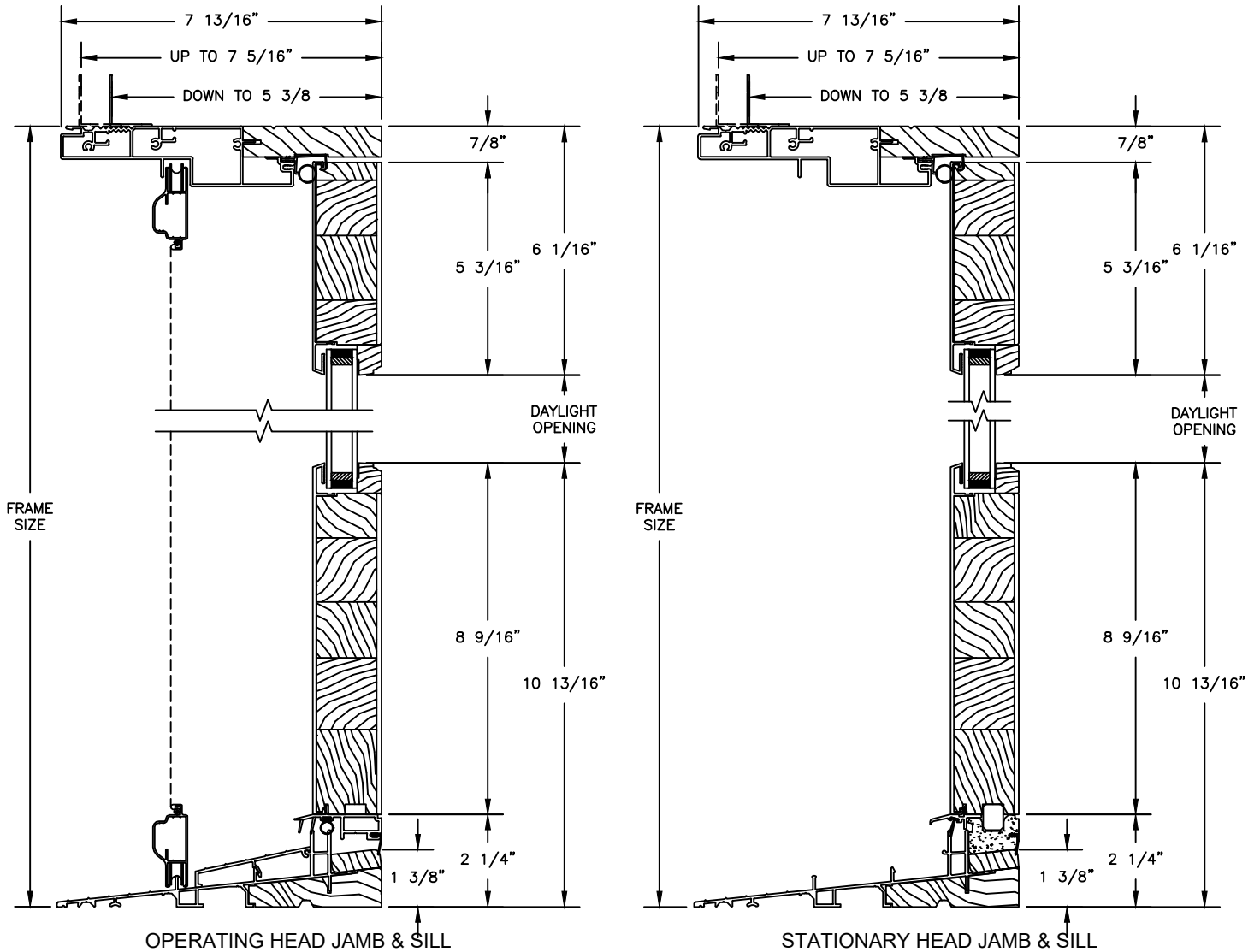


# Pinnacle Series

## CLAD PATIO DOOR - FRENCH INSWING

SECTION DETAILS 5 3/8" TO 7 5/16" JAMB

SCALE: 3" = 1'-0"

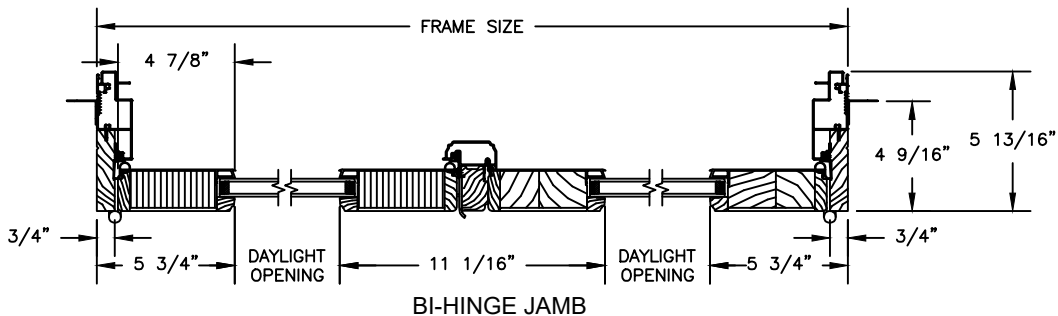
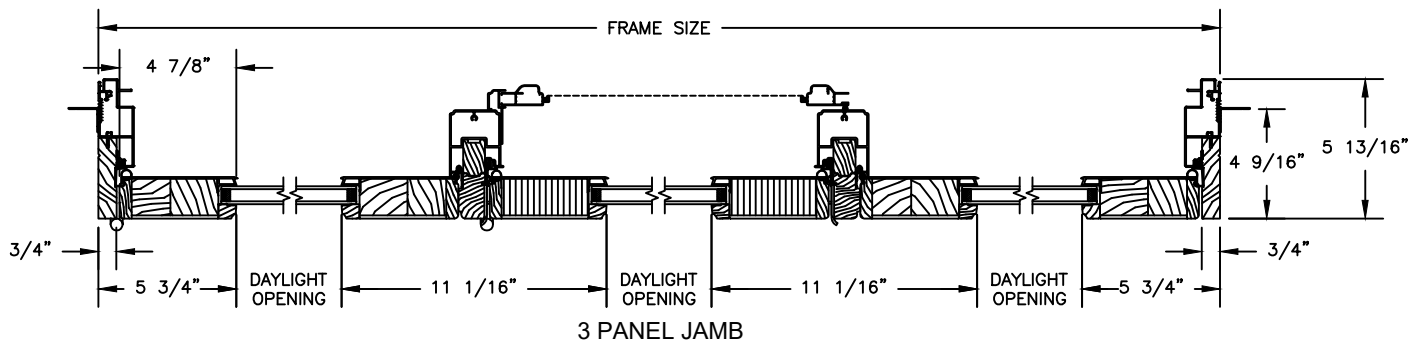
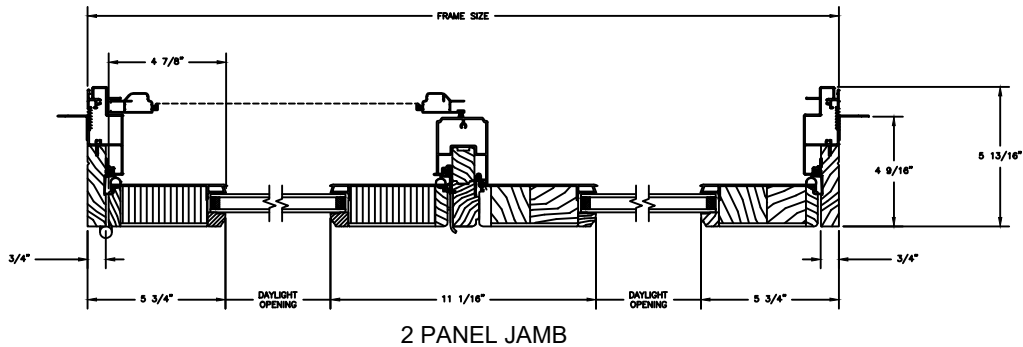
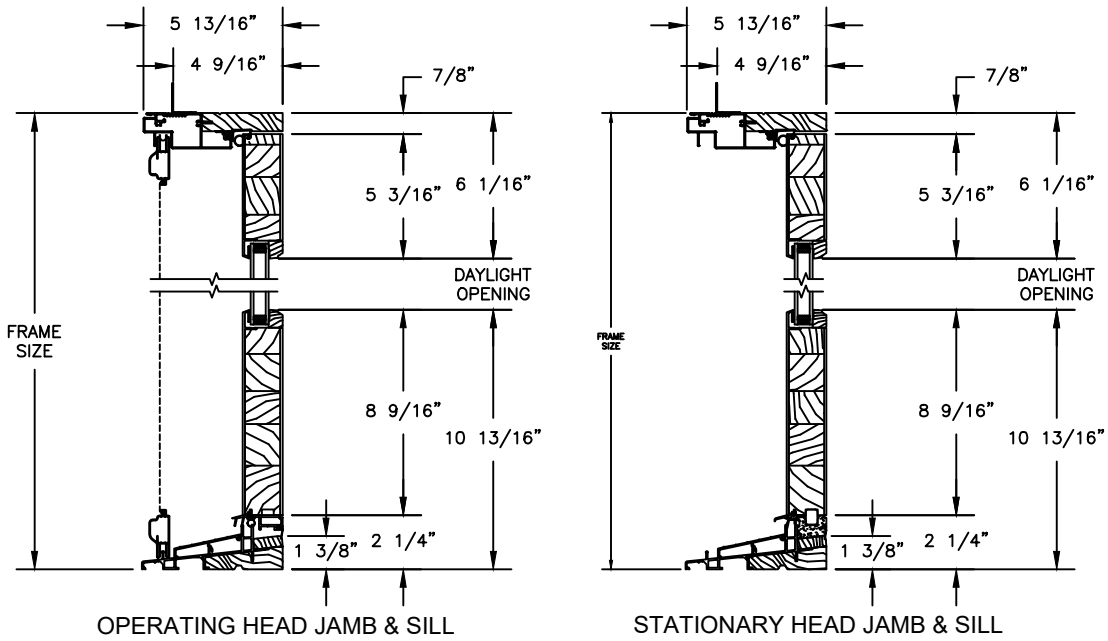


# Pinnacle Series

## CLAD PATIO DOOR - FRENCH INSWING

### SECTION DETAILS

SCALE: 1 1/2" = 1'-0"

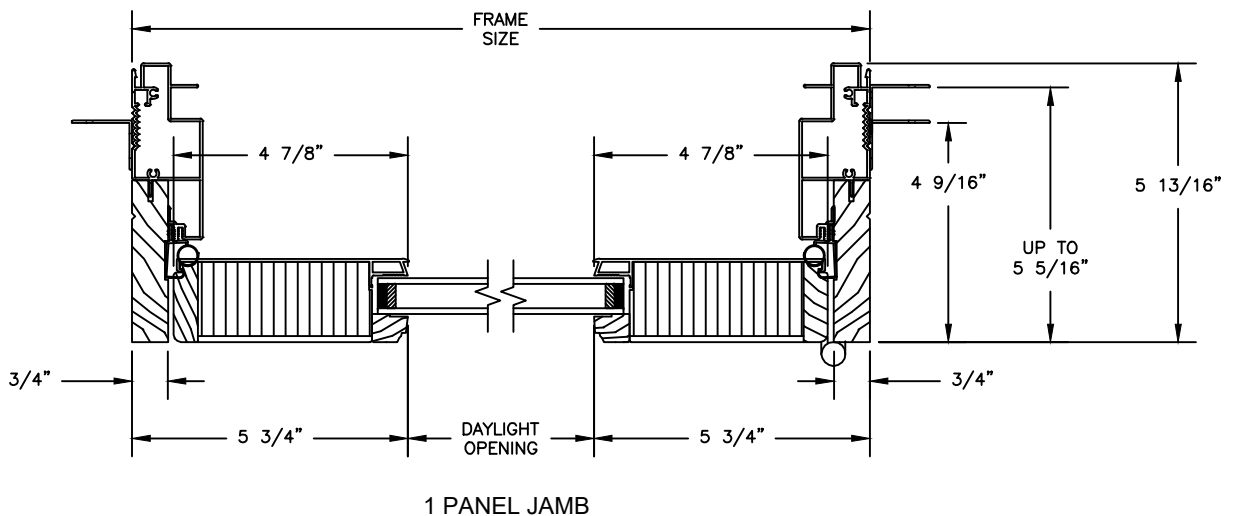
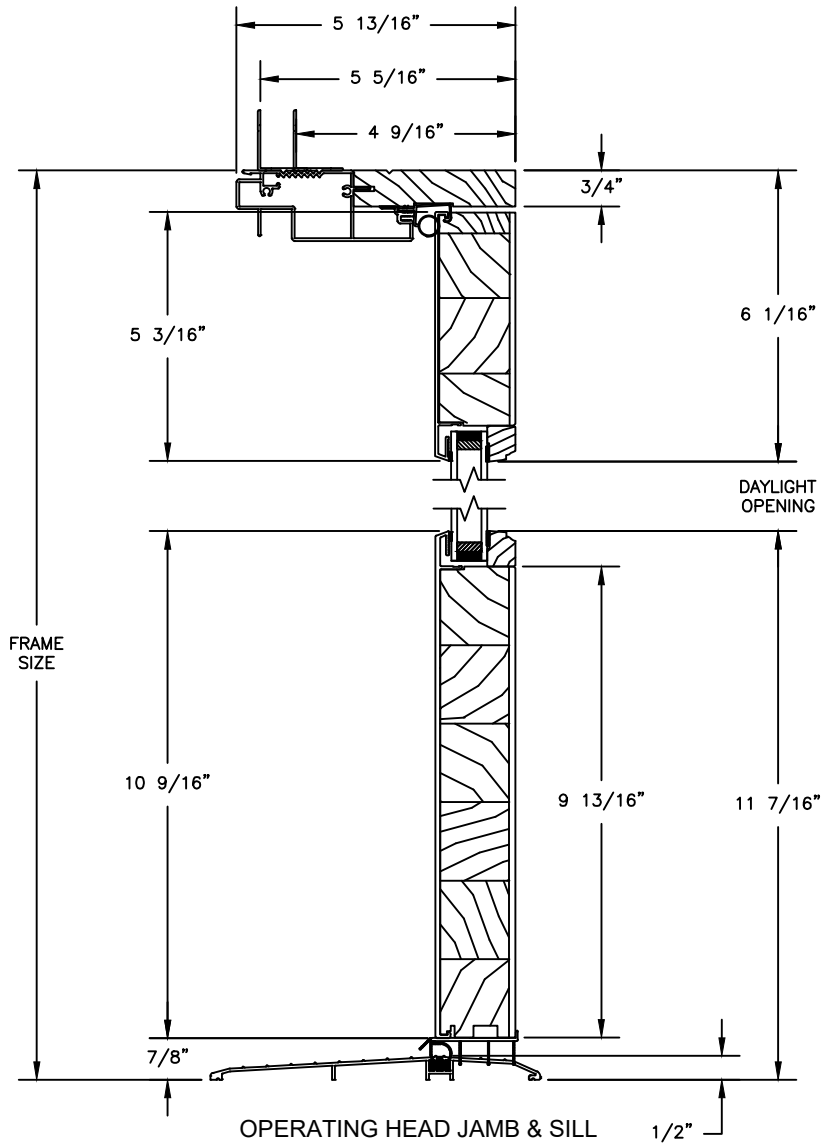


# Pinnacle Series

## CLAD PATIO DOOR - FRENCH INSWING

SECTION DETAILS: 4 9/16" JAMB HANDICAP SILL & 10" BOTTOM RAIL

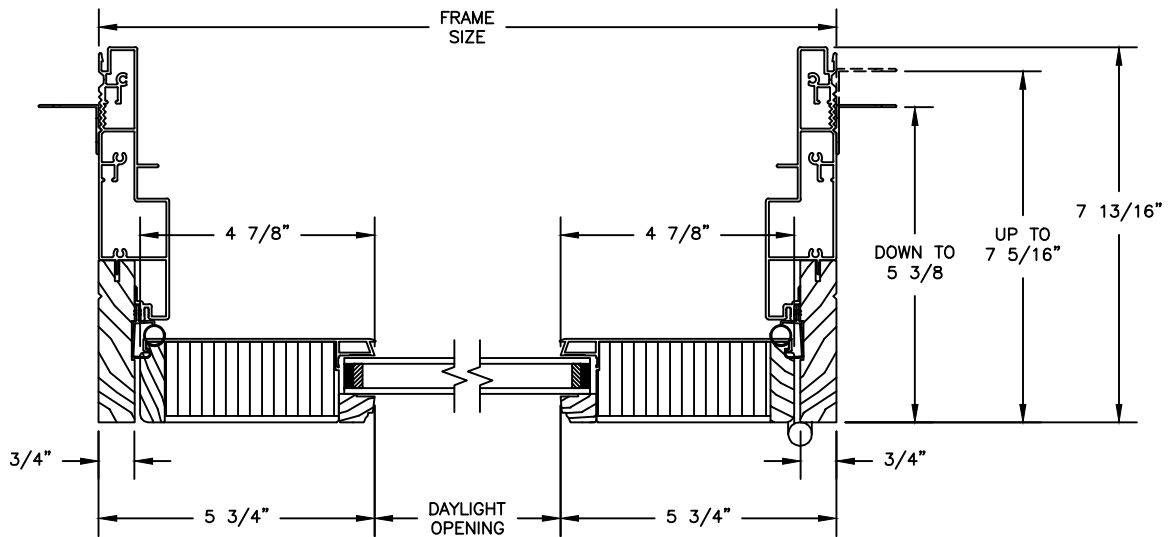
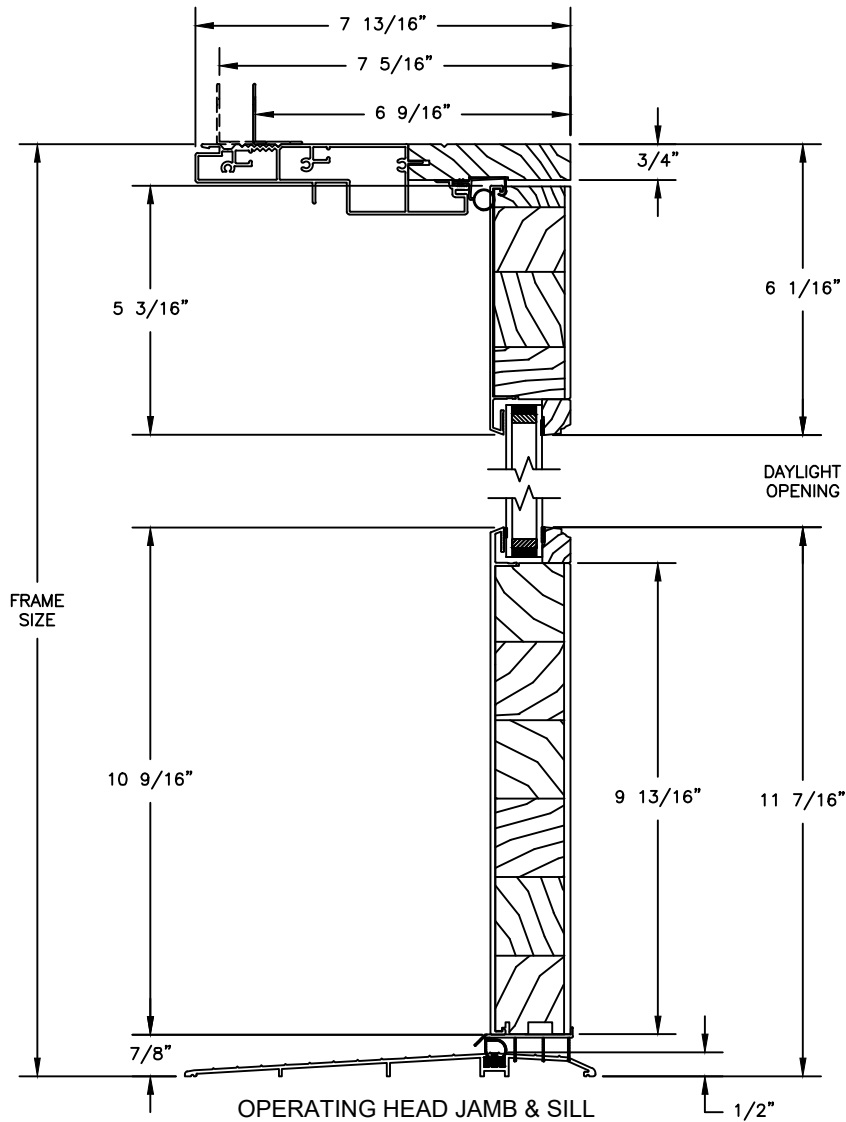
SCALE: 3" = 1'-0"



# Pinnacle Series

## CLAD PATIO DOOR - FRENCH INSWING

SECTION DETAILS: 6 9/16" JAMB HANDICAP SILL & 10" BOTTOM RAIL  
SCALE: 3" = 1'-0"



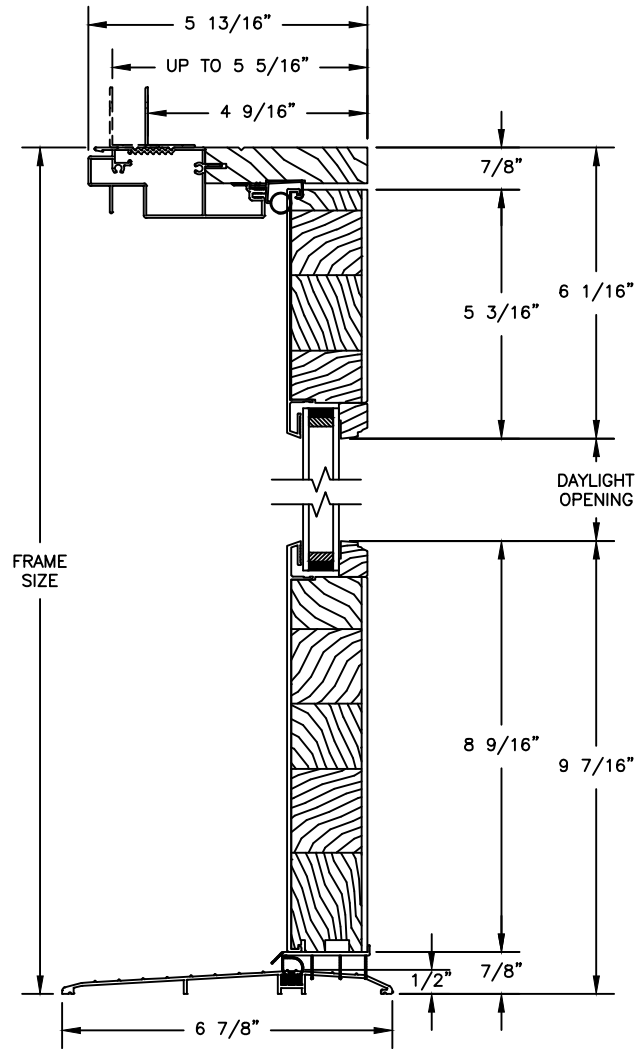
1 PANEL JAMB

# Pinnacle Series

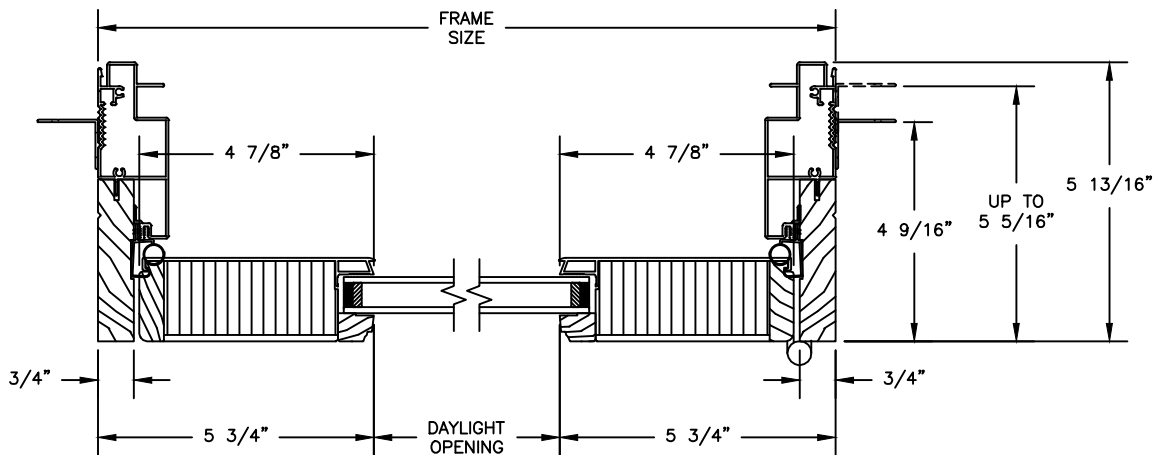
## CLAD PATIO DOOR - FRENCH INSWING

SECTION DETAILS: 4 9/16" JAMB WITH HANDICAP SILL

SCALE: 3" = 1'-0"



OPERATING HEAD JAMB & SILL



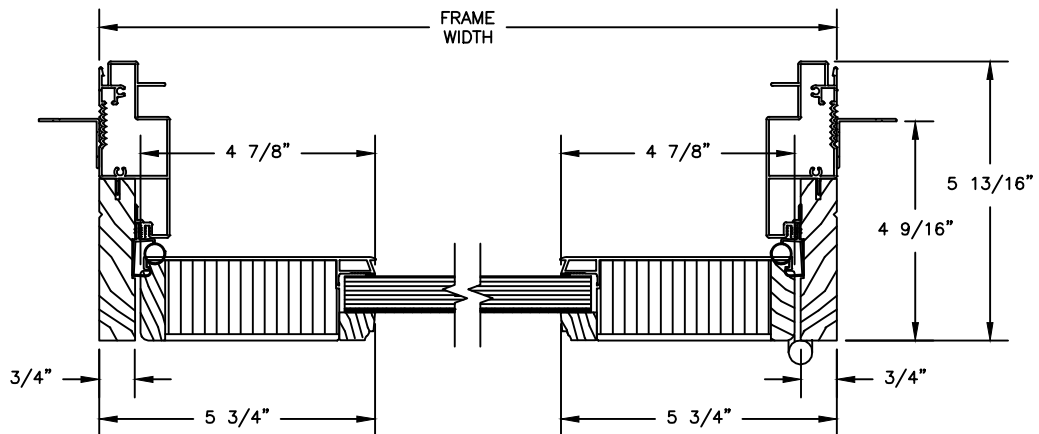
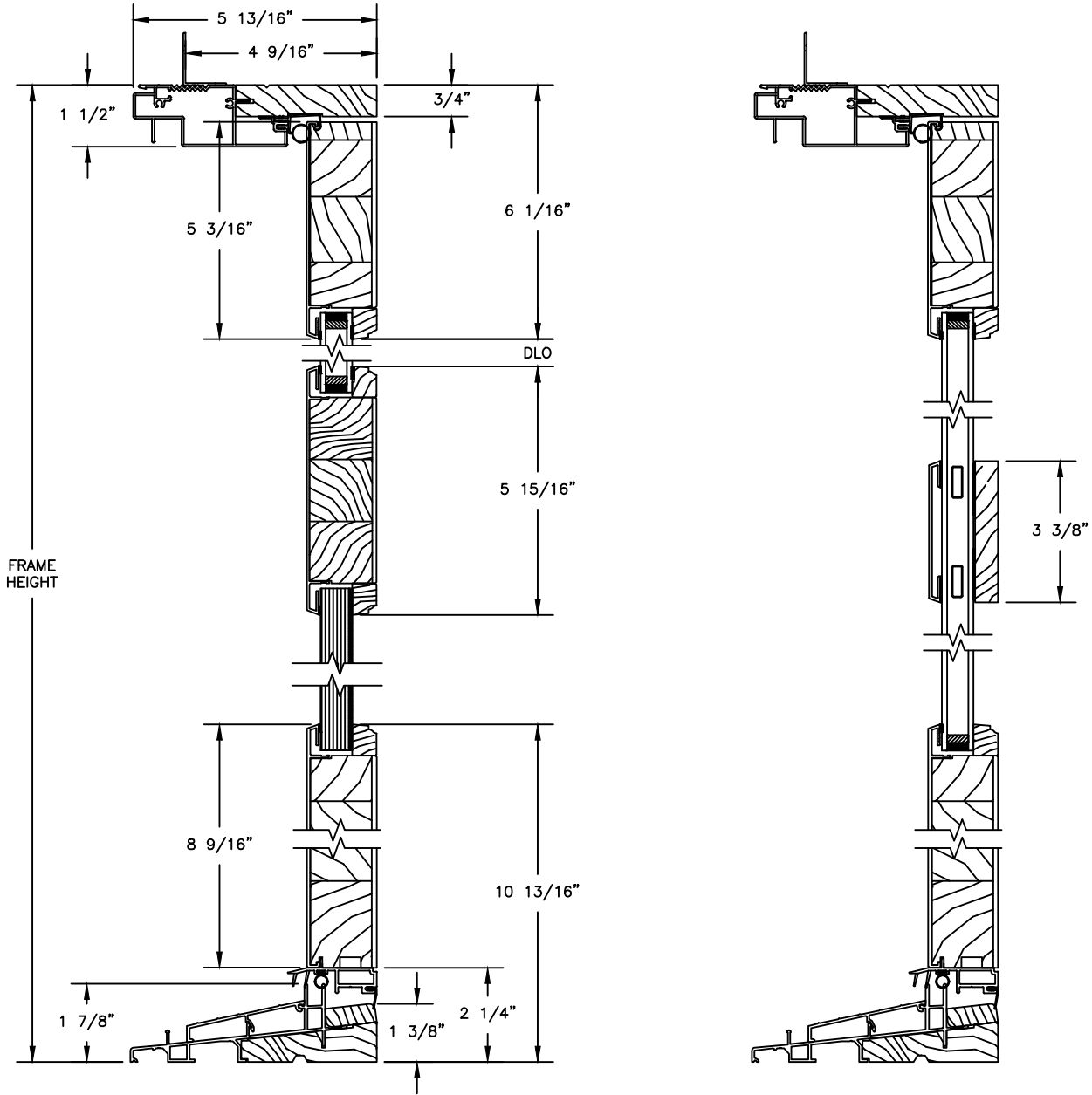
1 PANEL JAMB



# Pinnacle Series

## CLAD PATIO DOOR - FRENCH INSWING

SECTION DETAILS: 4 9/16" JAMB WITH 3/4" LITE FLAT PANEL AND SIMULATED MIDRAIL  
SCALE: 3" = 1'-0"

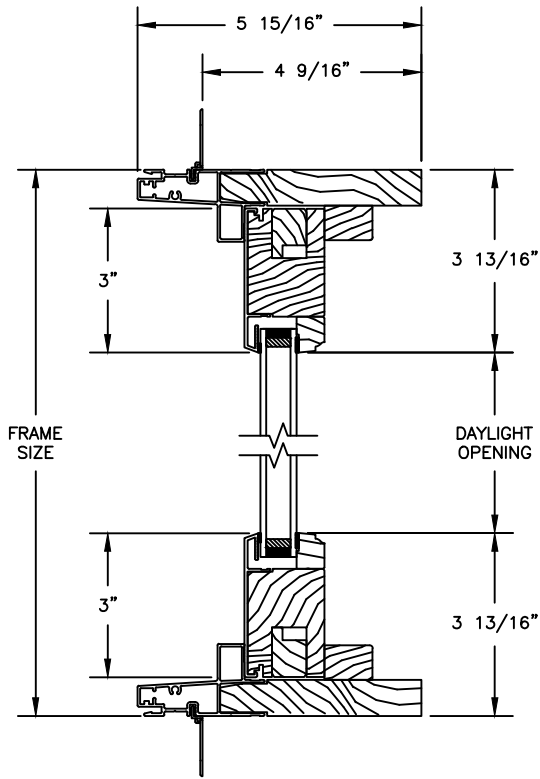


# Pinnacle Series

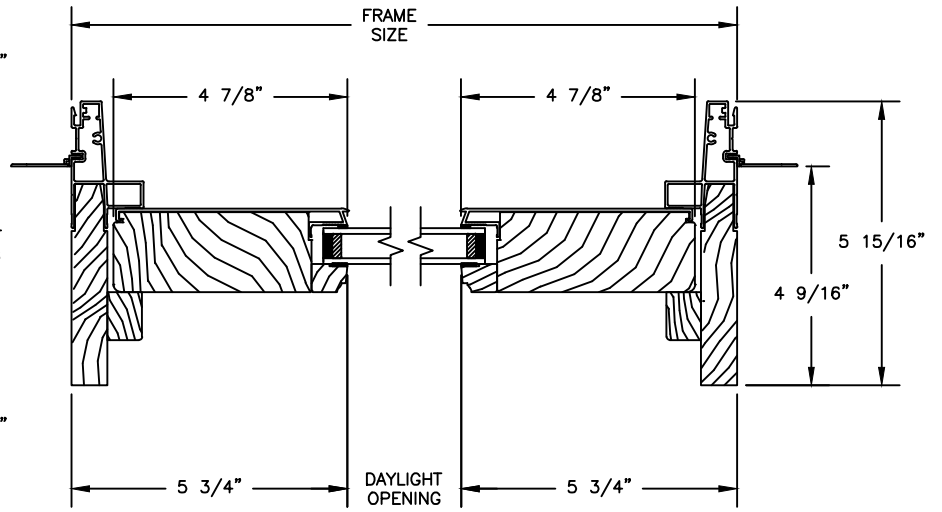
## CLAD PATIO DOOR - FRENCH INSWING & OUTSWING

SECTION DETAILS: TRANSOM

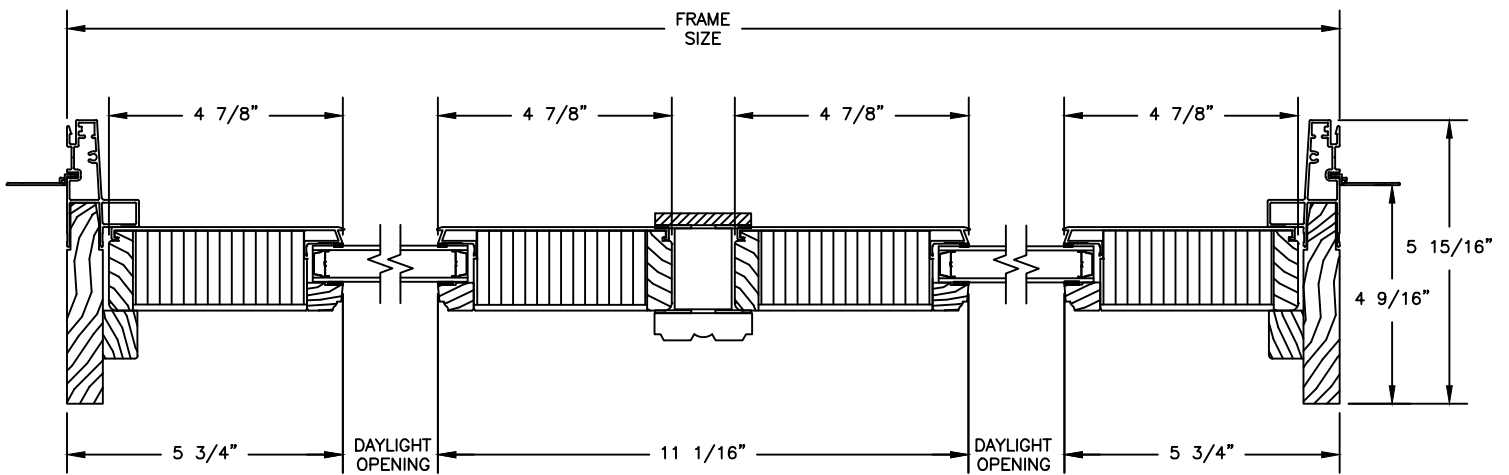
SCALE: 3" = 1'-0"



HEAD JAMB & SILL



JAMB



2 PANEL TRANSOM JAMB

# Pinnacle Series

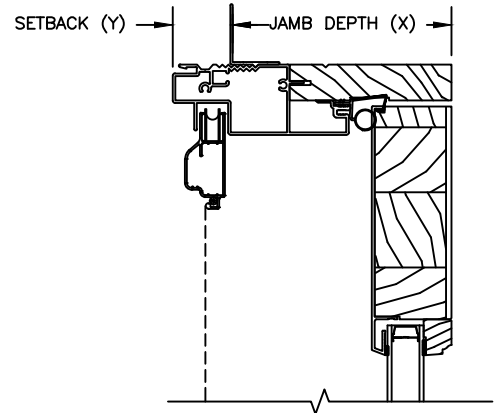
## CLAD PATIO DOOR - FRENCH INSWING

### SECTION DETAILS: NARROW / WIDE JAMB SETBACK & JAMB DEPTHS

	JAMB DEPTH (X)	SETBACK (Y)
NARROW JAMB	4.583	1.250
	4.623	1.186
	4.688	1.125
	4.751	1.063
	4.813	1.000
	4.876	.938
	4.938	.875
	5.001	.813
	5.063	.750
	5.126	.688
	5.188	.625
	5.251	.563
	5.313	.500
	WIDE JAMB	5.375
5.438		2.375
5.500		2.312
5.563		2.250
5.625		2.187
5.688		2.125
5.750		2.062
5.813		2.000
5.875		1.937
5.938		1.875
6.000		1.812
6.063		1.750
6.125		1.687
6.188		1.625
6.250		1.562
6.313		1.500
6.375		1.437
6.438		1.375
6.500		1.312
6.563		1.250
6.625		1.187
6.688		1.125
6.750		1.062
6.813		1.000
6.875		.937
6.938		.875
7.000		.812
7.063	.750	
7.125	.687	
7.188	.625	
7.250	.562	
7.313	.500	

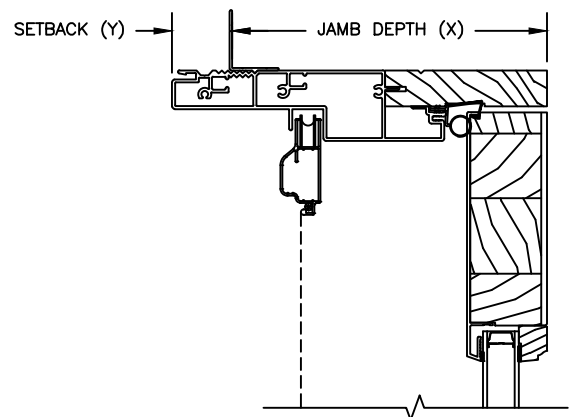
### NARROW JAMB

(4 9/16" - 5 5/16")



### WIDE JAMB

(5 3/8" - 7 1/4")



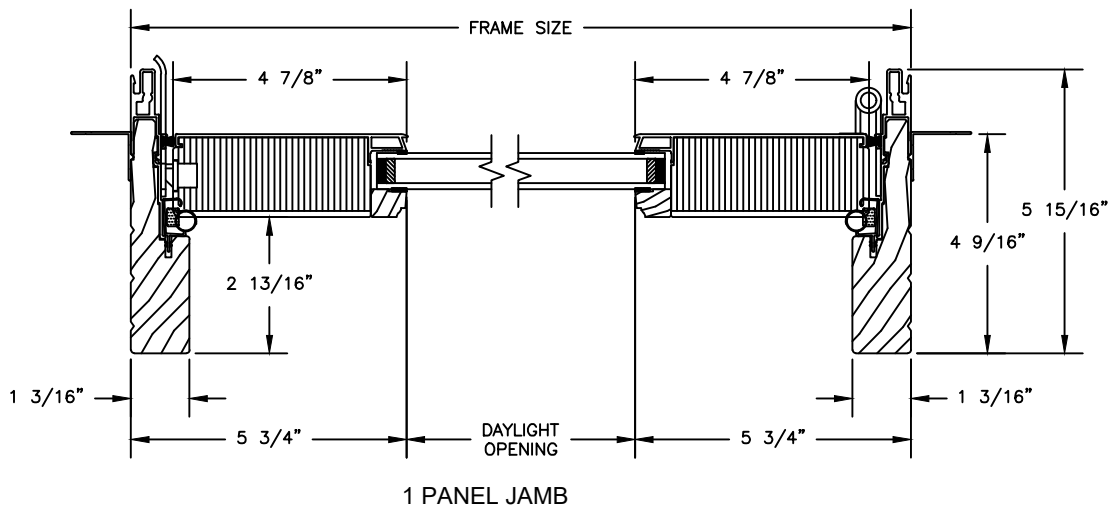
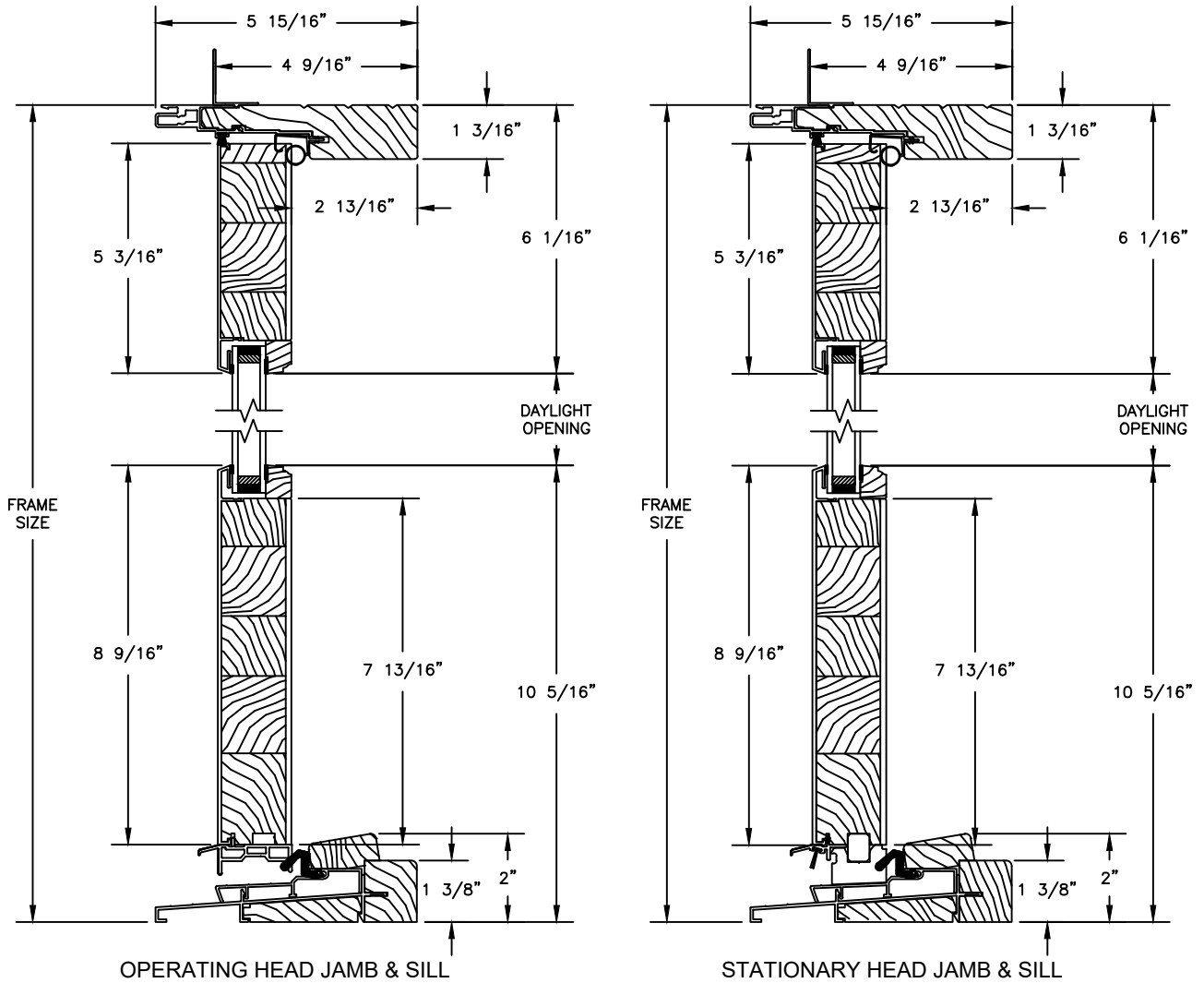
STANDARD JAMB DEPTHS: 4 9/16" | 5 1/4" | 6 9/16" | 7 1/4"

# Pinnacle Series

## CLAD PATIO DOOR - FRENCH OUTSWING

SECTION DETAILS

SCALE: 3" = 1'-0"

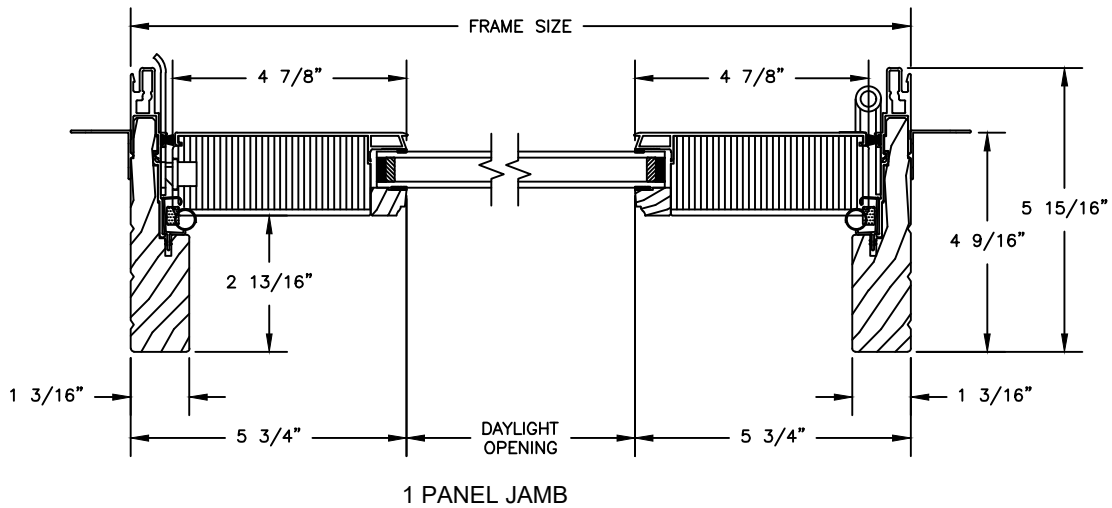
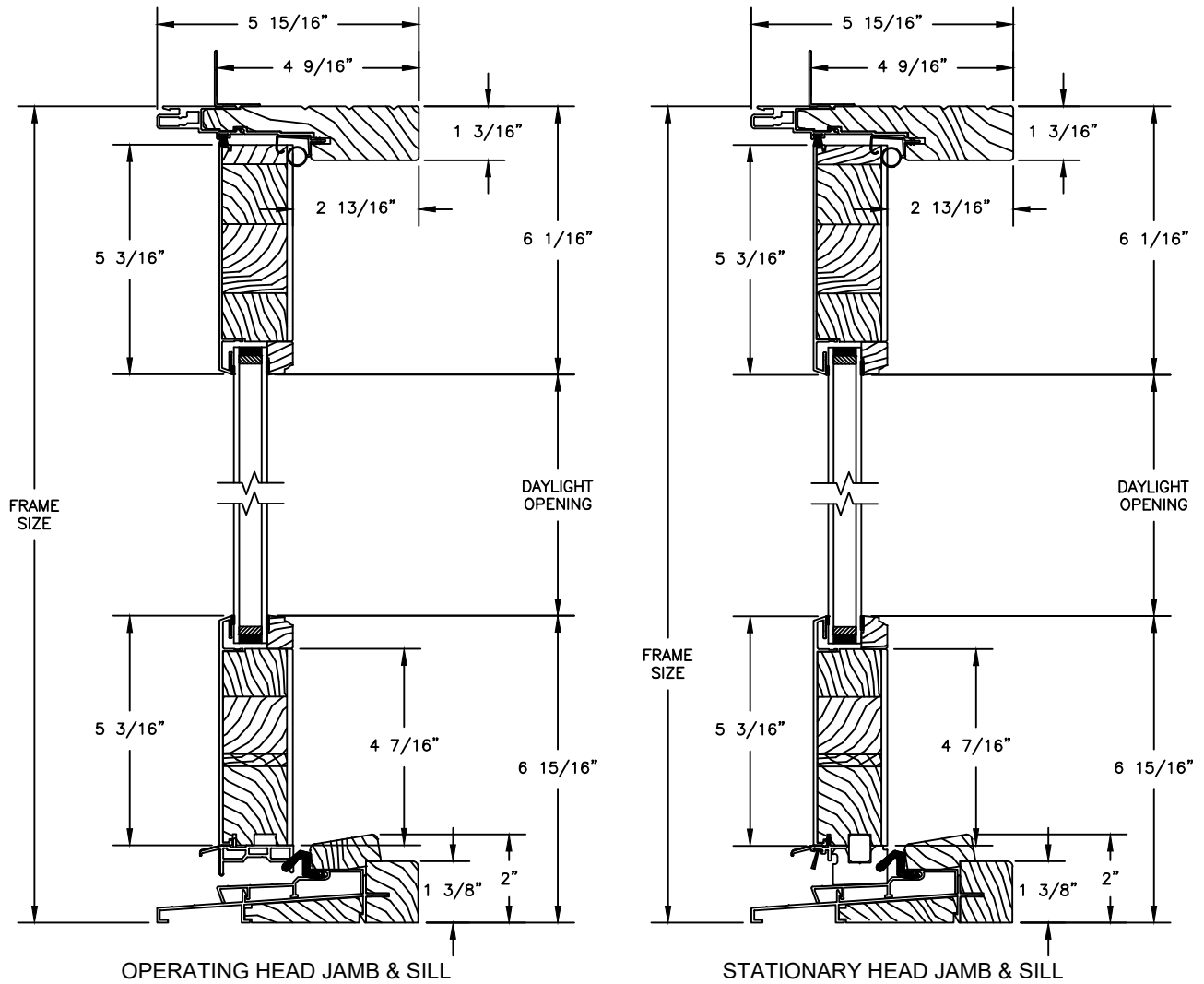


# Pinnacle Series

## CLAD PATIO DOOR - FRENCH OUTSWING

SECTION DETAILS WITH 5" BOTTOM RAIL

SCALE: 3" = 1'-0"

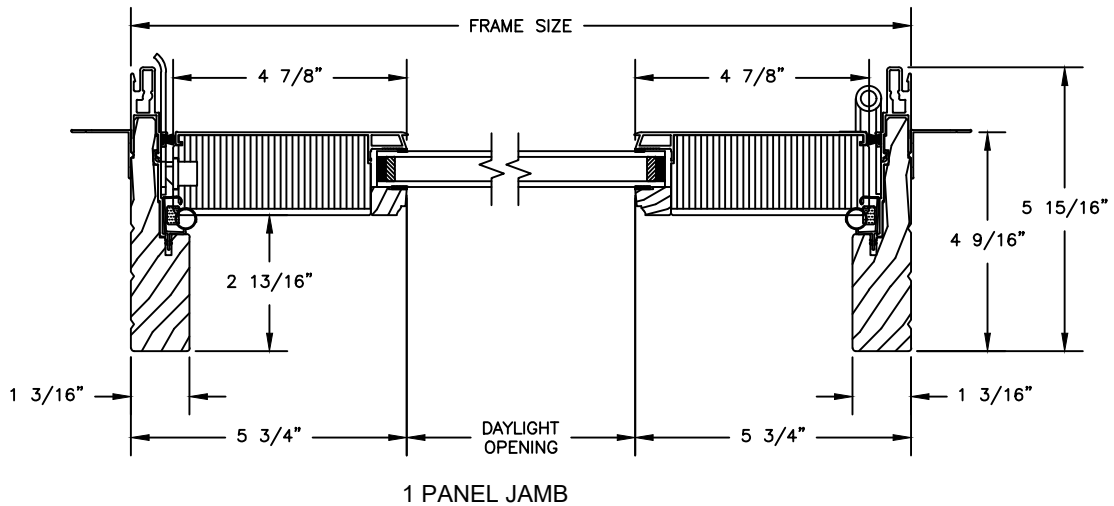
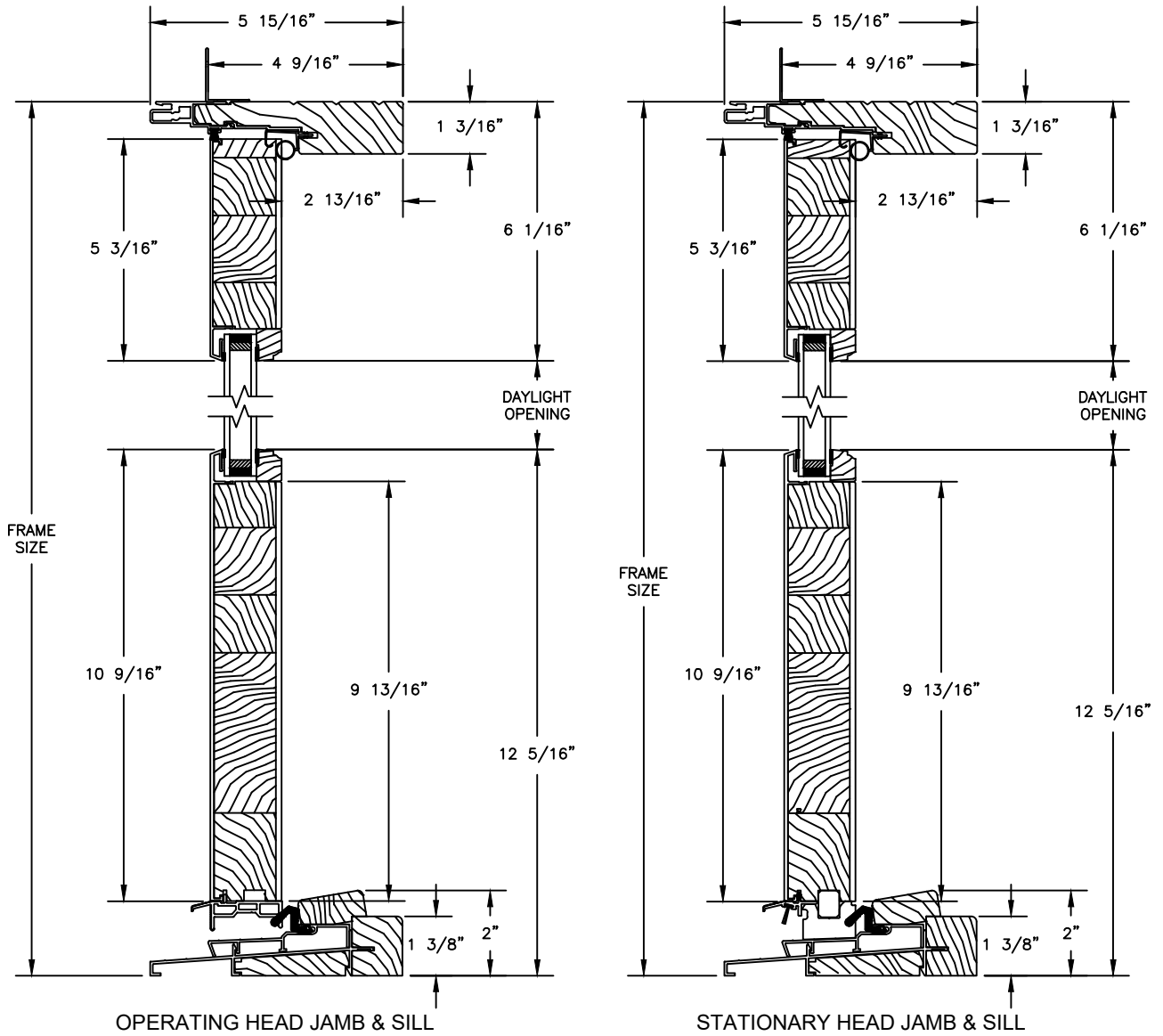


# Pinnacle Series

## CLAD PATIO DOOR - FRENCH OUTSWING

SECTION DETAILS WITH 10" BOTTOM RAIL

SCALE: 3" = 1'-0"

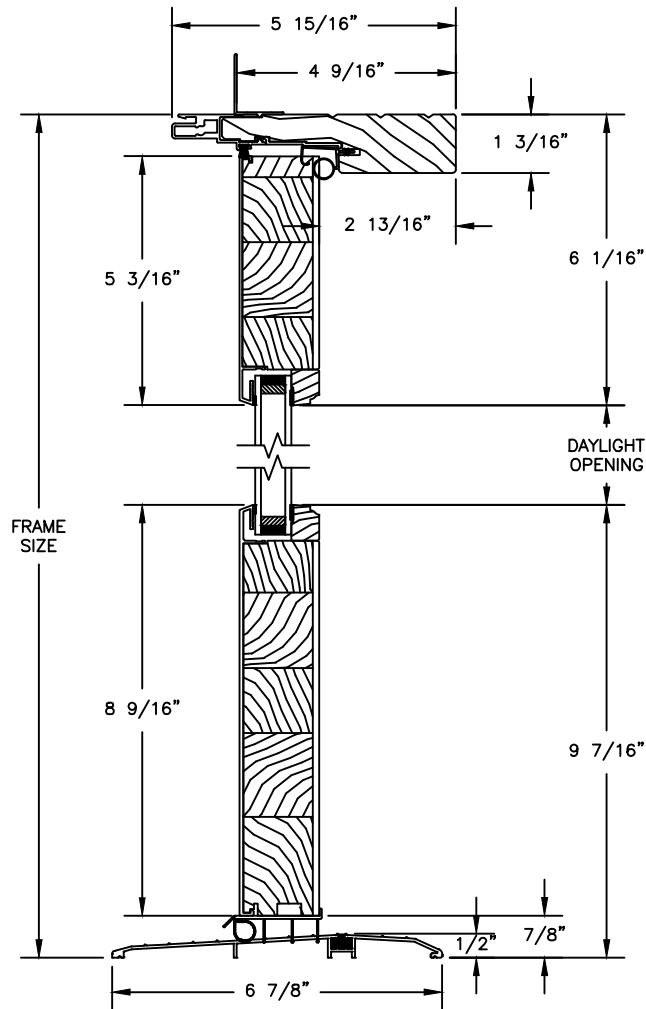


# Pinnacle Series

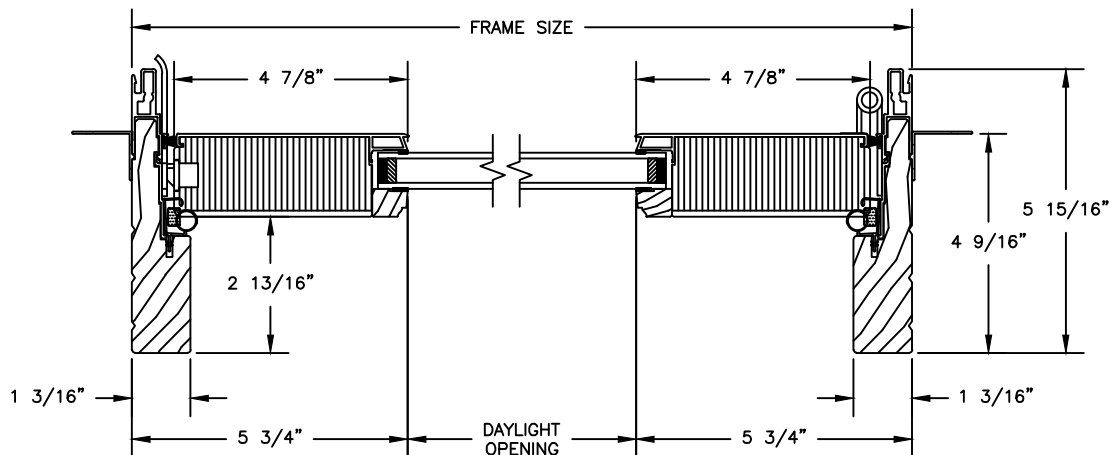
## CLAD PATIO DOOR - FRENCH OUTSWING

SECTION DETAILS: WITH HANDICAP SILL

SCALE: 3" = 1'-0"



OPERATING HEAD JAMB & SILL



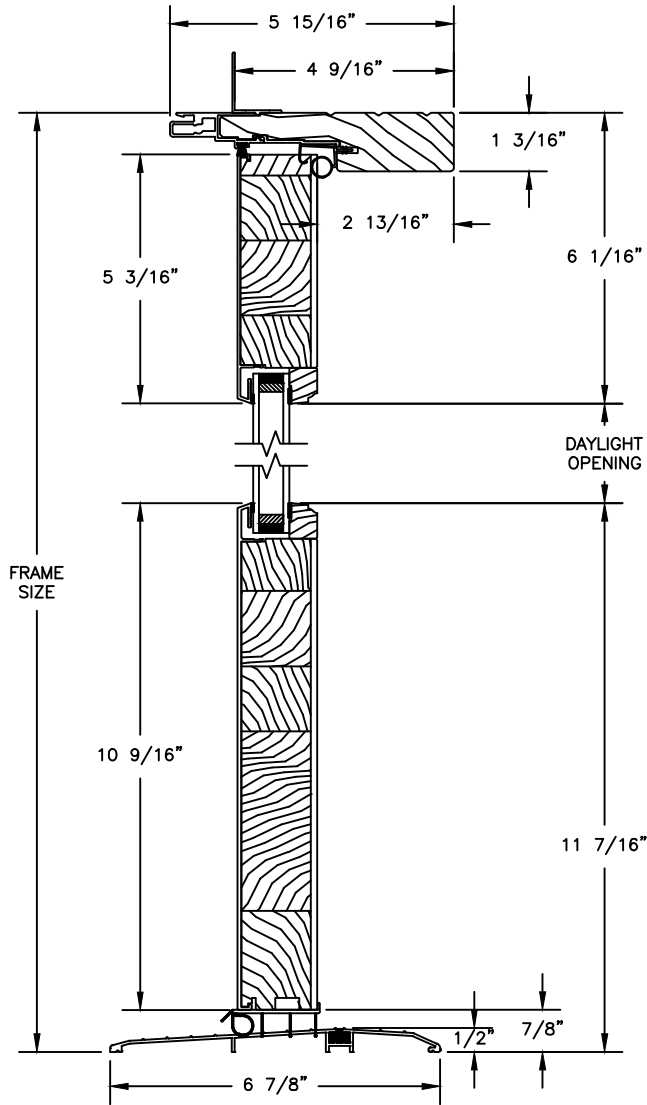
1 PANEL JAMB

# Pinnacle Series

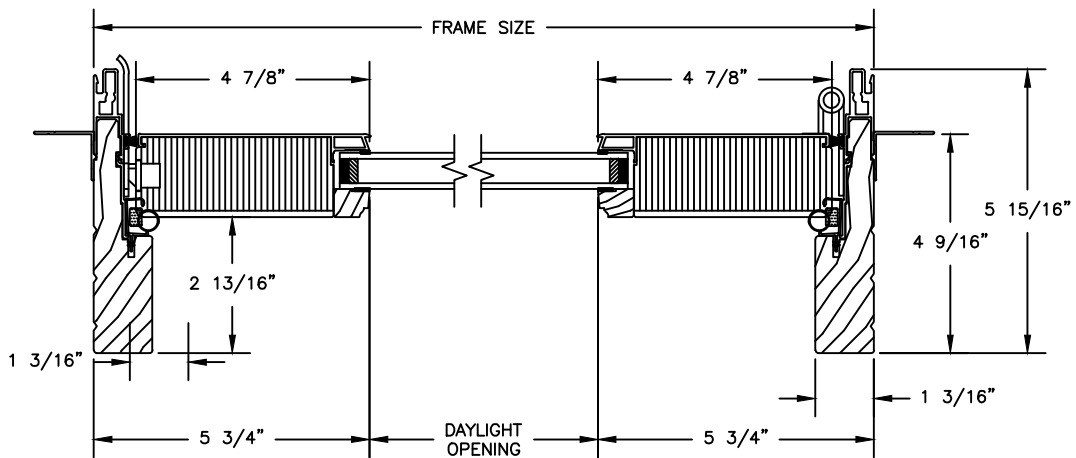
## CLAD PATIO DOOR - FRENCH OUTSWING

SECTION DETAILS: WITH HANDICAP SILL WITH 10" BOTTOM RAIL

SCALE: 3" = 1'-0"



OPERATING HEAD JAMB & SILL



1 PANEL JAMB

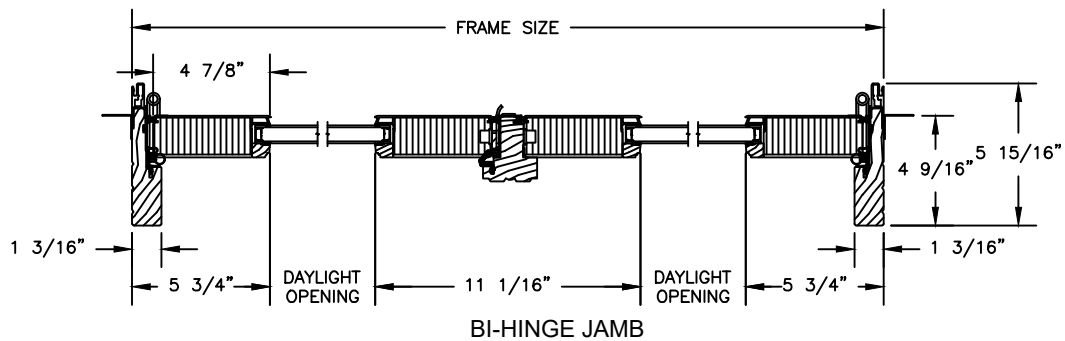
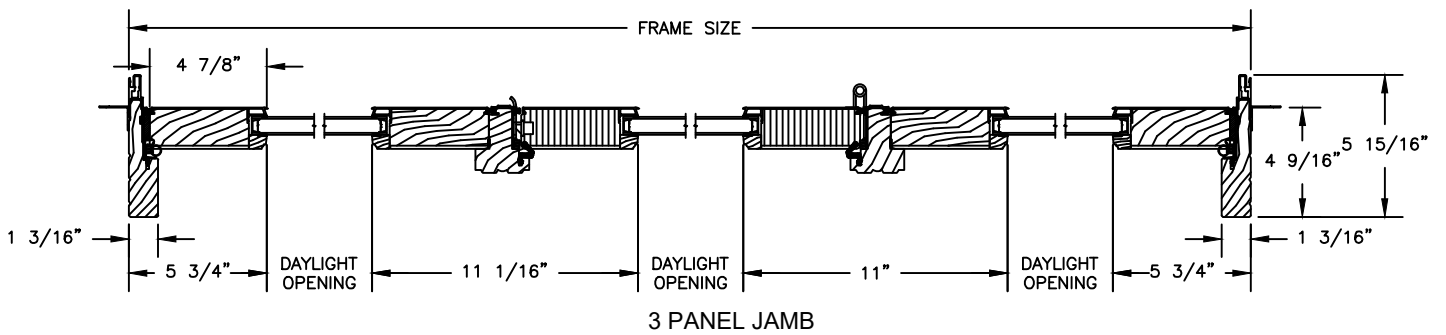
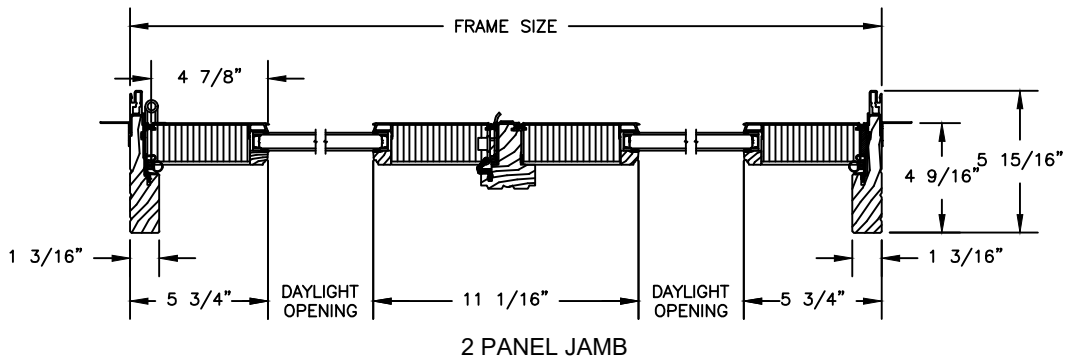
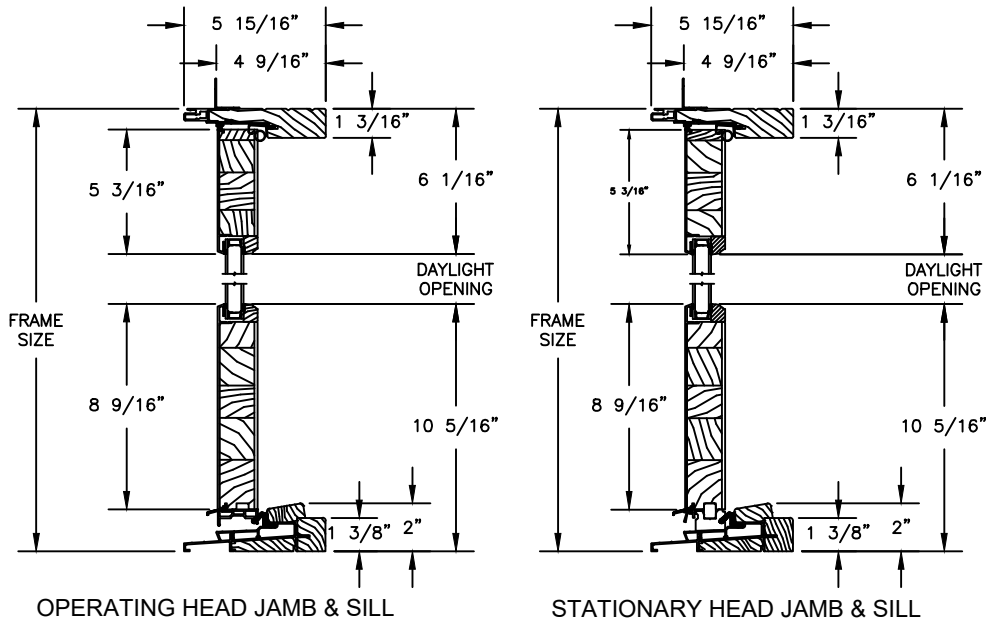


# Pinnacle Series

## CLAD PATIO DOOR - FRENCH OUTSWING

SECTION DETAILS

SCALE: 1 1/2" = 1'-0"

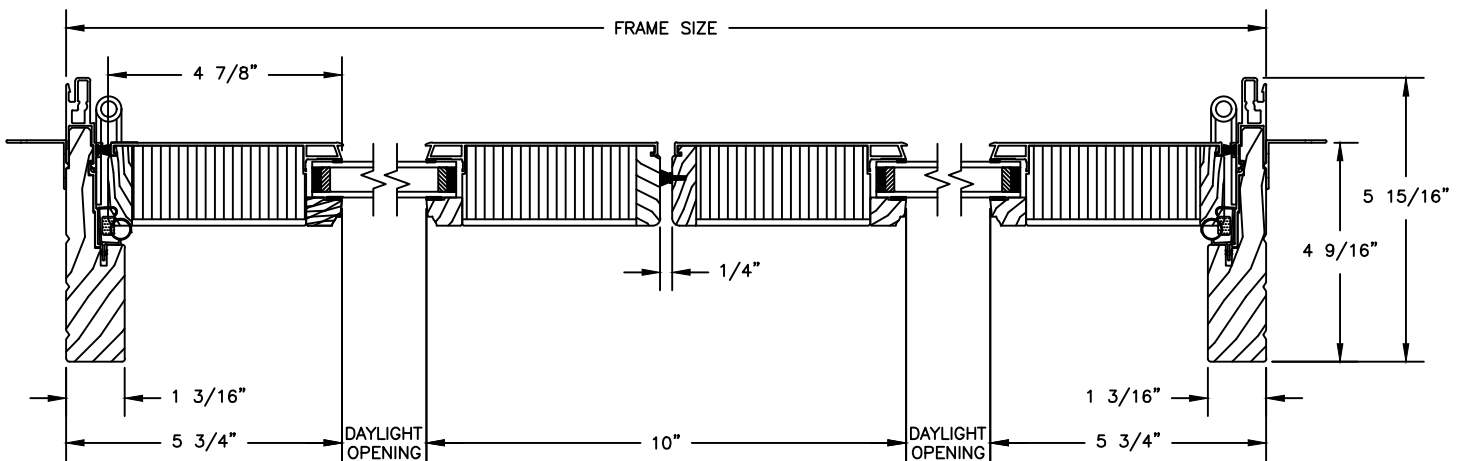
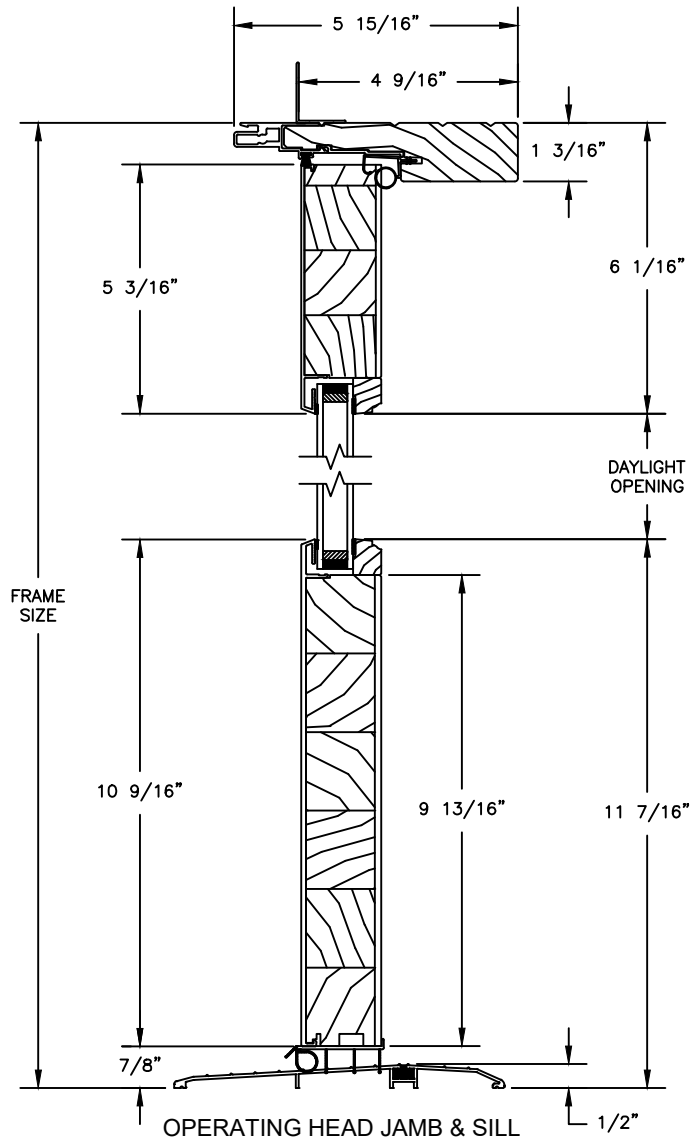


# Pinnacle Series

## CLAD PATIO DOOR - FRENCH OUTSWING

SECTION DETAILS: HANDICAP SILL WITH NO ASTRAGAL & 10" BOTTOM RAIL

SCALE: 3" = 1'-0"



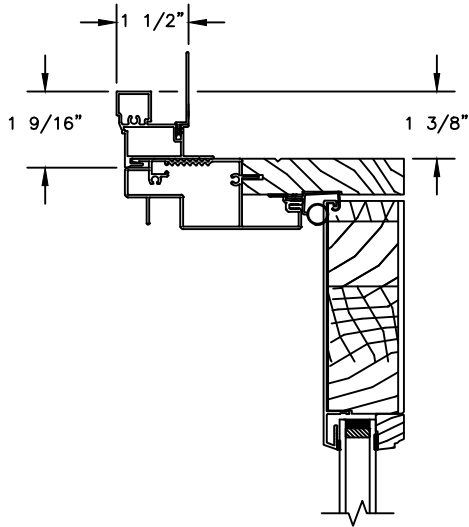
2 PANEL BI-HINGE JAMB WITH NO ASTRAGAL

# Pinnacle Series

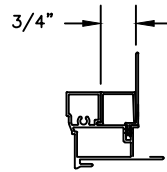
## CLAD FRENCH SWINGING PATIO DOOR

SECTION DETAILS : CASING OPTIONS

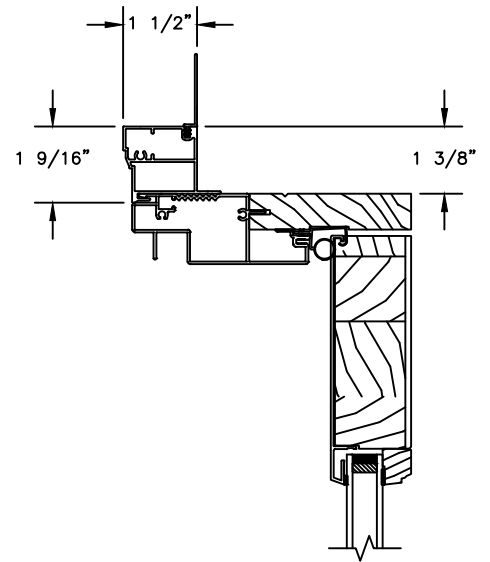
SCALE: 3" = 1'-0"



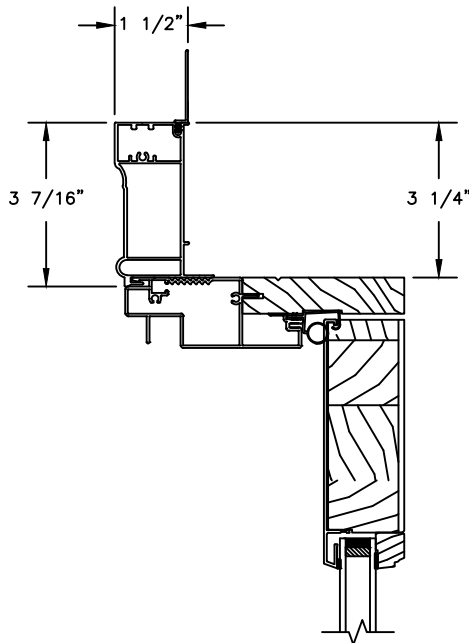
HEAD JAMB WITH  
CLAD 180 BRICKMOULD CASING



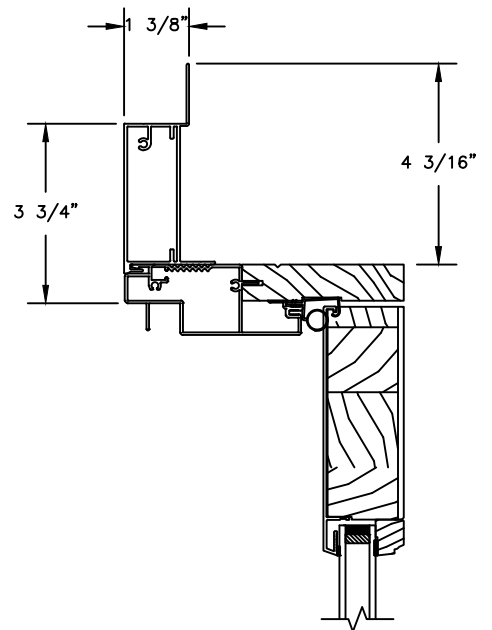
CLAD BRICKMOULD CASING  
WITH OPTIONAL J-CHANNEL COVER



HEAD JAMB WITH  
CLAD SQUARE BRICKMOULD CASING



HEAD JAMB WITH  
CLAD WILLIAMSBURG CASING



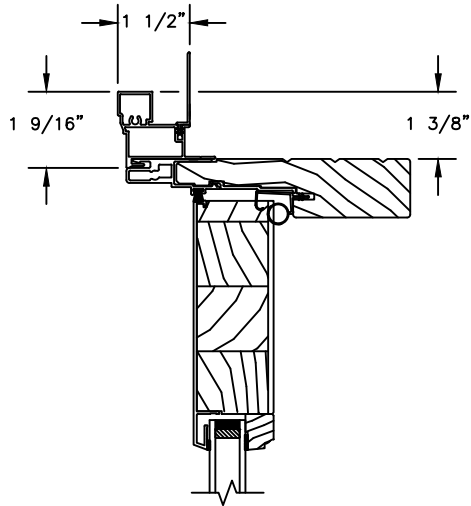
HEAD JAMB WITH  
CLAD 3 1/2" FLAT CASING

# Pinnacle Series

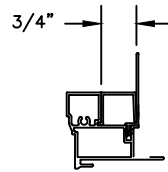
## CLAD FRENCH SWINGING PATIO DOOR

SECTION DETAILS : CASING OPTIONS

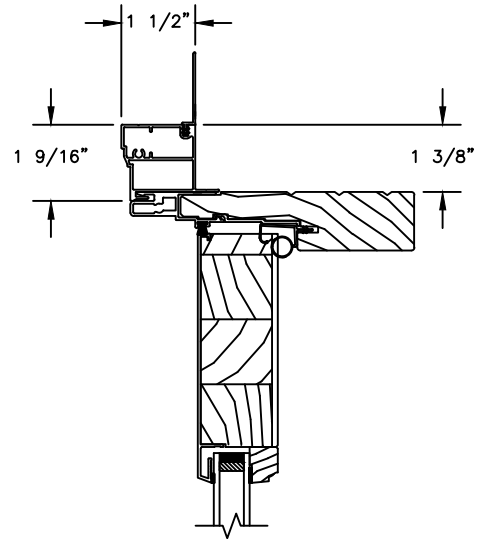
SCALE: 3" = 1'-0"



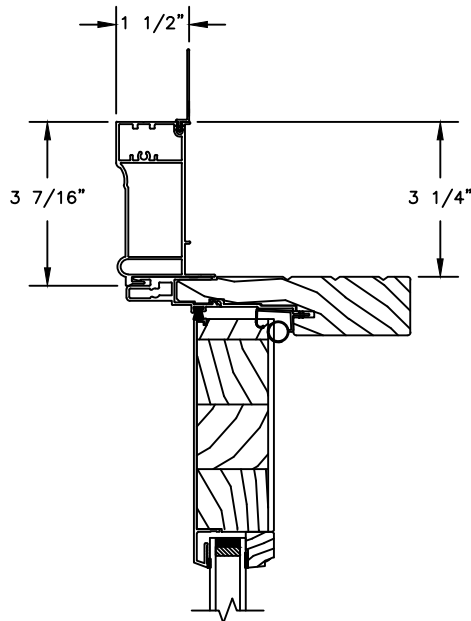
HEAD JAMB WITH  
CLAD 180 BRICKMOULD CASING



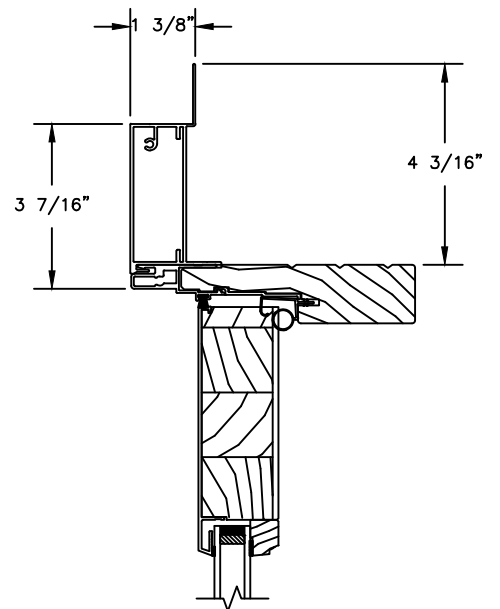
CLAD BRICKMOULD CASING  
WITH OPTIONAL J-CHANNEL COVER



HEAD JAMB WITH  
CLAD SQUARE BRICKMOULD CASING



HEAD JAMB WITH  
CLAD WILLIAMSBURG CASING



HEAD JAMB WITH  
CLAD 3 1/2" FLAT CASING

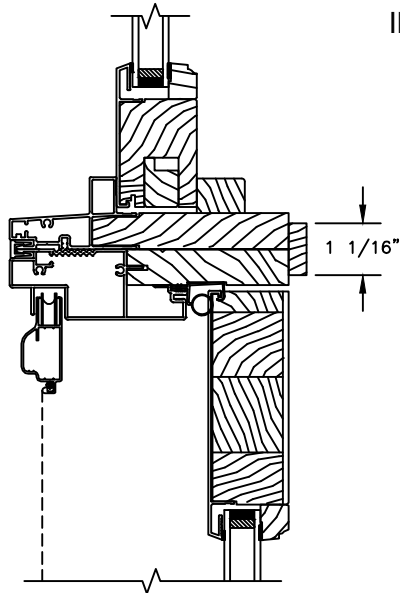
# Pinnacle Series

## CLAD FRENCH SWINGING PATIO DOOR

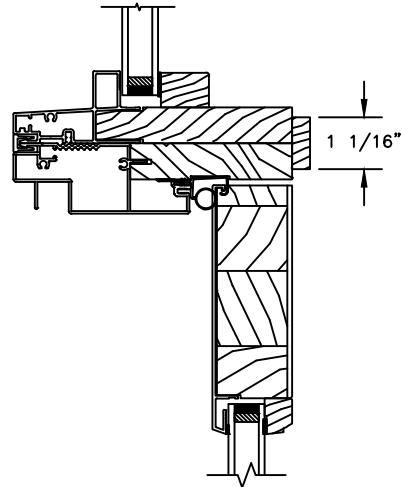
SECTION DETAILS : MULLIONS

SCALE: 3" = 1'-0"

INSWING

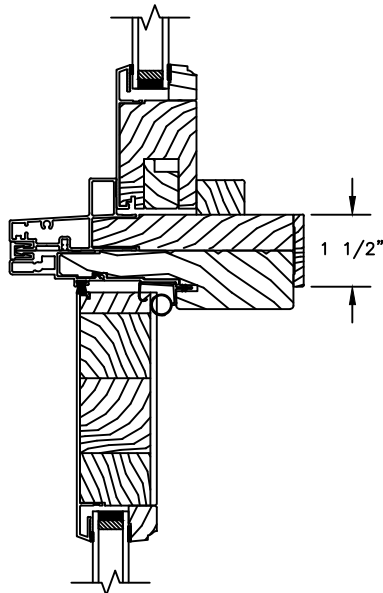


HORIZONTAL MULLION  
TRANSOM/OPERATOR

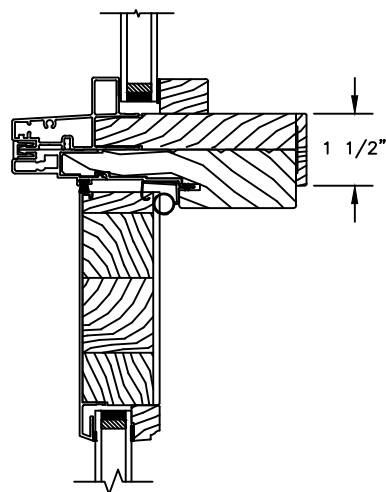


HORIZONTAL MULLION  
RADIUS/STATIONARY

OUTSWING



HORIZONTAL MULLION  
TRANSOM/OPERATOR



HORIZONTAL MULLION  
RADIUS/OPERATOR

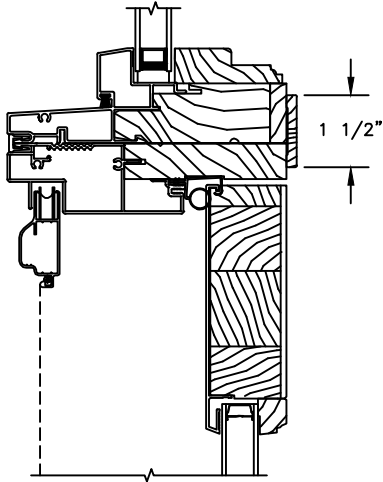
# Pinnacle Series

## CLAD FRENCH SWINGING PATIO DOOR

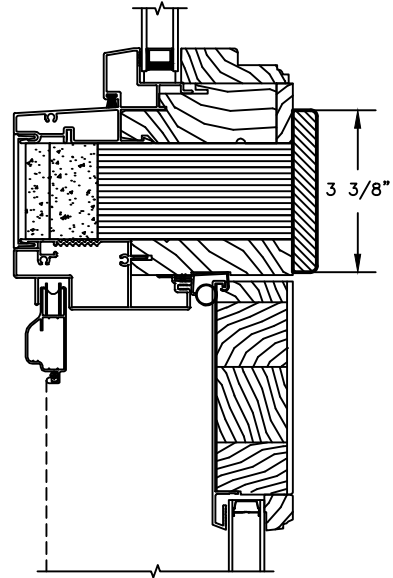
SECTION DETAILS : MULLIONS

SCALE: 3" = 1'-0"

INSWING

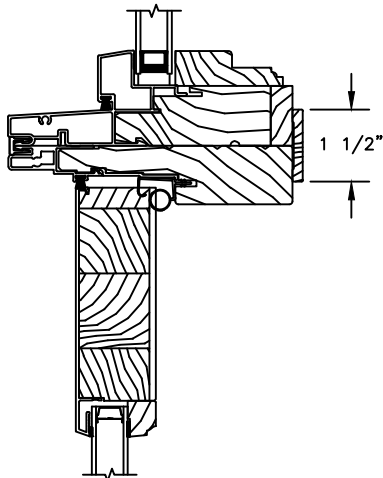


HORIZONTAL MULLION  
DIRECT SET/OPERATOR

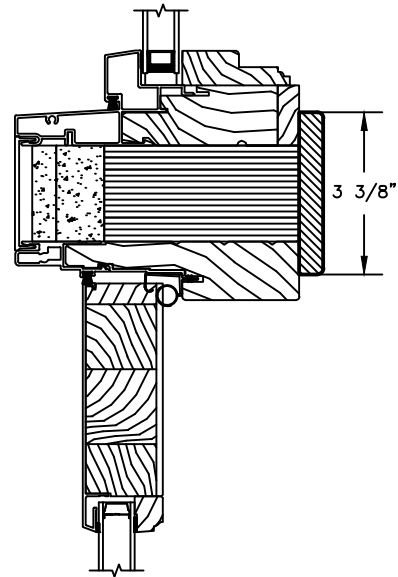


HORIZONTAL MULLION WITH  
2" SPREAD MULL  
DIRECT SET/OPERATOR  
ADDITIONAL WIDTHS INCLUDE:  
1", 2", 2 1/2", 3", & 4"

OUTSWING



HORIZONTAL MULLION  
DIRECT SET/OPERATOR



HORIZONTAL MULLION WITH  
2" SPREAD MULL  
DIRECT SET/OPERATOR  
ADDITIONAL WIDTHS INCLUDE:  
1", 2", 2 1/2", 3", & 4"

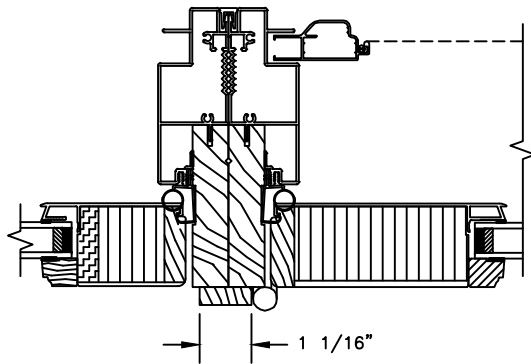
# Pinnacle Series

## CLAD FRENCH SWINGING PATIO DOOR

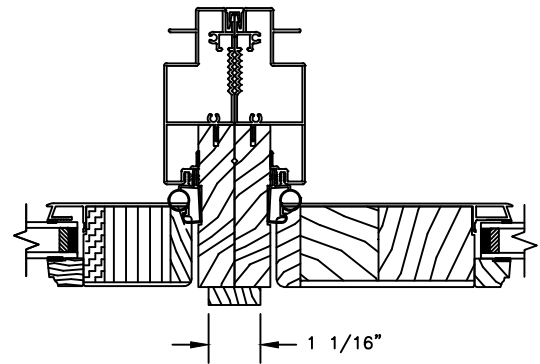
SECTION DETAILS : MULLIONS

SCALE: 3" = 1'-0"

IN SWING

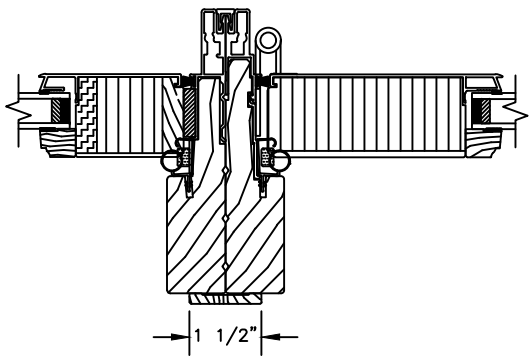


VERTICAL MULLION  
SIDELITE/OPERATOR

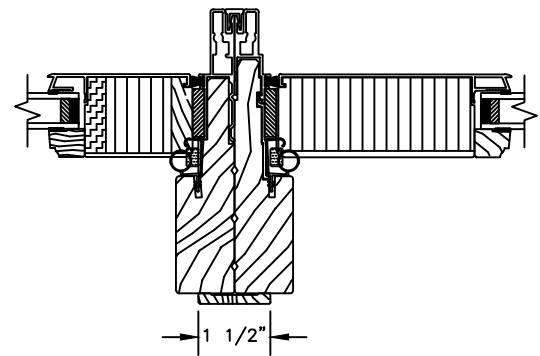


VERTICAL MULLION  
SIDELITE/STATIONARY

OUT SWING



VERTICAL MULLION  
SIDELITE/OPERATOR






VERTICAL MULLION  
SIDELITE/STATIONARY

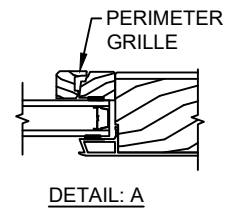
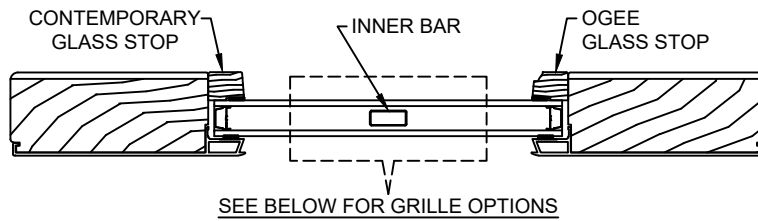
# Pinnacle Series

## CLAD FRENCH PATIO DOOR

SECTION DETAILS : GLASS STOP & DIVIDED LITE OPTIONS  
 SCALE: 3" = 1'-0"

**AVAILABLE STYLES**

-  - PUTTY
-  - OGEE
-  - CONTEMPORARY



	5/8" WDL WITH INNER BAR	7/8" WDL WITH INNERBAR	1 1/4" WDL WITH INNERBAR	2" WDL WITH INNERBAR
STANDARD INSULATING GLASS				
13/16" INNERGRILLE				
3/4" PROFILED INNERGRILLE				
1" PROFILED INNERGRILLE				
7/8" PERIMETER GRILLE				
1 1/4" PERIMETER GRILLE				

**NOTE:**  
 \* ALL WDL OPTIONS CAN BE ORDERED WITH OR WITHOUT INNER BAR  
 \* PERIMETER GRILLES ONLY AVAILABLE IN THE 7/8" AND 1 1/4" OGEE STYLE GLASS STOP (SEE DETAIL: A)

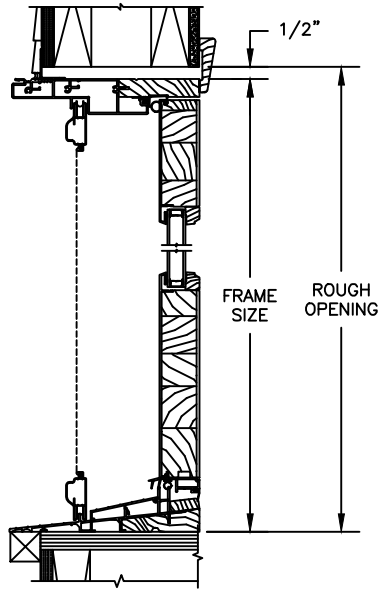


# Pinnacle Series

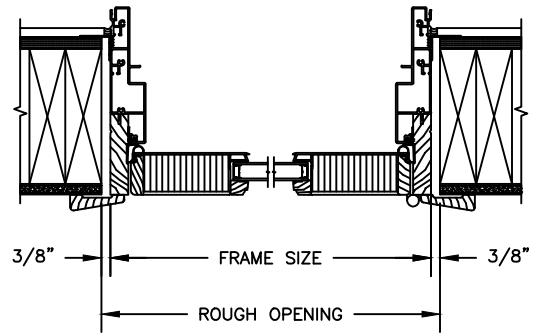
## CLAD PATIO DOOR - FRENCH INSWING

SECTION DETAILS : CONSTRUCTION

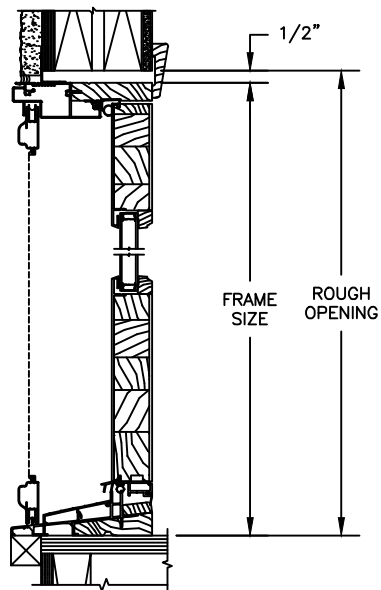
SCALE: 1 1/2" = 1'-0"



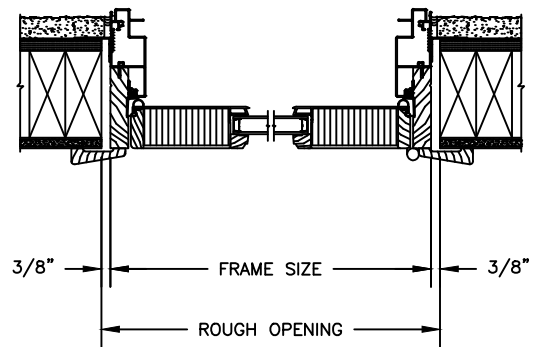
HEAD JAMB & SILL  
2 X 6 FRAME WITH SIDING



JAMBS  
2 X 6 FRAME WITH SIDING



HEAD JAMB & SILL  
2 X 4 FRAME WITH STUCCO



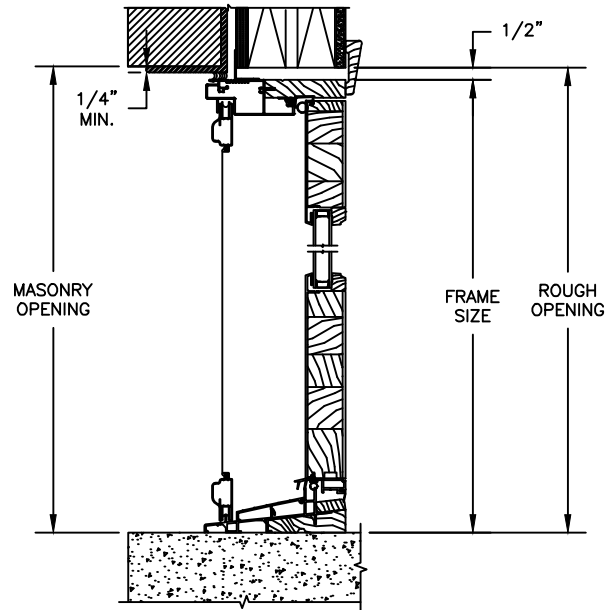
JAMBS  
2 X 4 FRAME WITH STUCCO

# Pinnacle Series

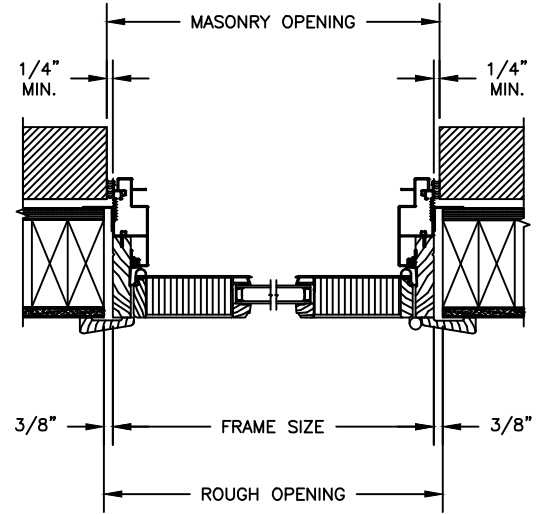
## CLAD PATIO DOOR - FRENCH INSWING

SECTION DETAILS : CONSTRUCTION

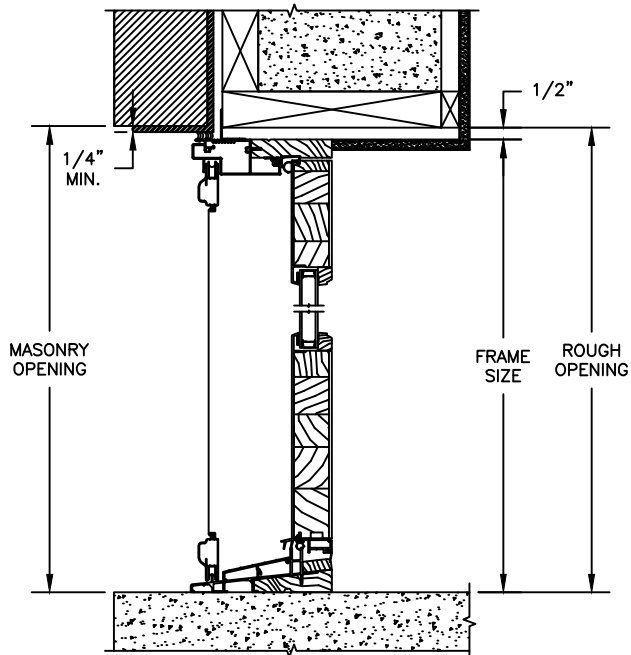
SCALE: 1 1/2" = 1'-0"



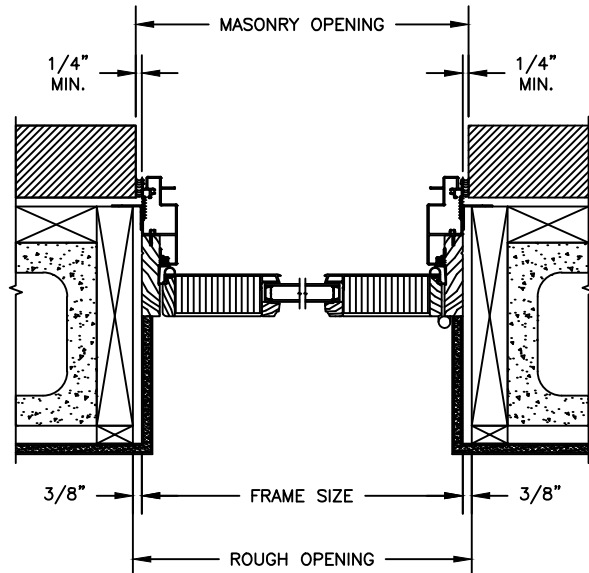
HEAD JAMB & SILL  
2 X 6 FRAME WITH BRICK VENEER



JAMBS  
2 X 6 FRAME WITH BRICK VENEER



HEAD JAMB & SILL  
8" CONCRETE BLOCK WALL  
WITH BRICK VENEER



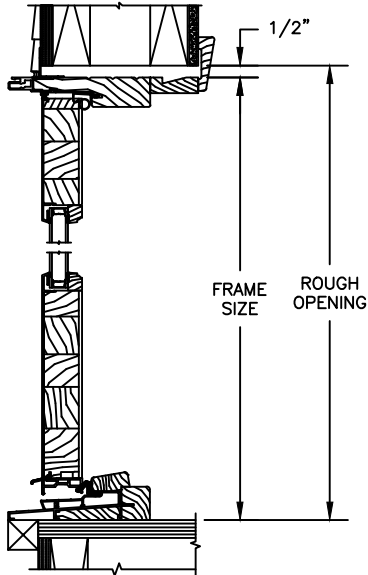
JAMBS  
8" CONCRETE BLOCK WALL  
WITH BRICK VENEER

# Pinnacle Series

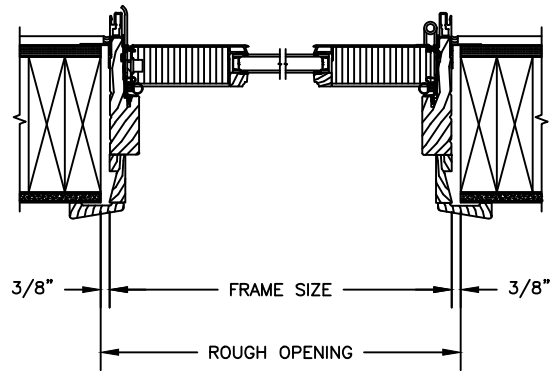
## CLAD PATIO DOOR - FRENCH OUTSWING

SECTION DETAILS : CONSTRUCTION

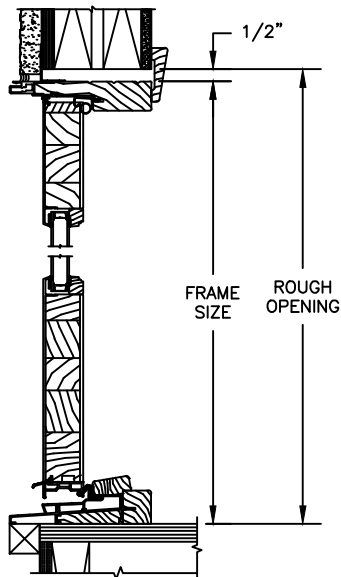
SCALE: 1 1/2" = 1'-0"



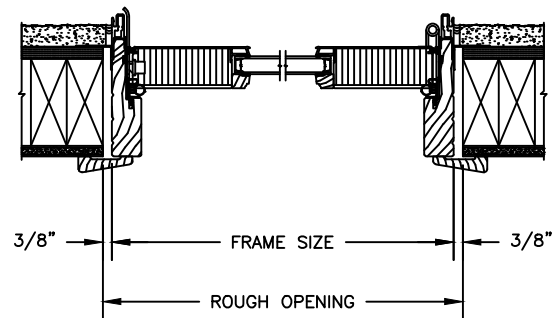
HEAD JAMB & SILL  
2 X 6 FRAME WITH SIDING



JAMBS  
2 X 6 FRAME WITH SIDING



HEAD JAMB & SILL  
2 X 4 FRAME WITH STUCCO



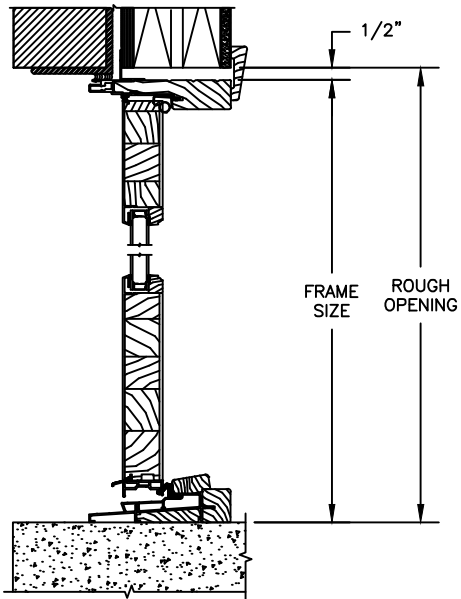
JAMBS  
2 X 4 FRAME WITH STUCCO

# Pinnacle Series

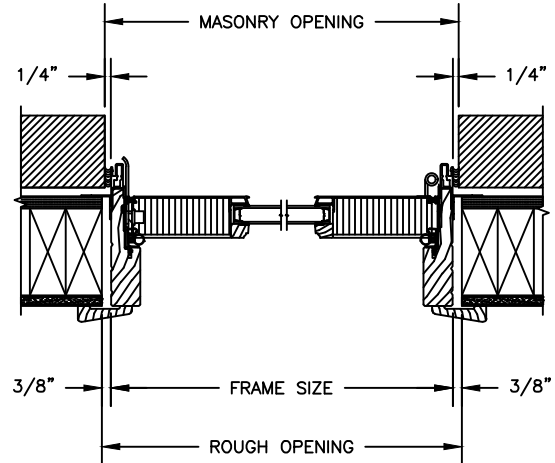
## CLAD PATIO DOOR - FRENCH OUTSWING

SECTION DETAILS : CONSTRUCTION

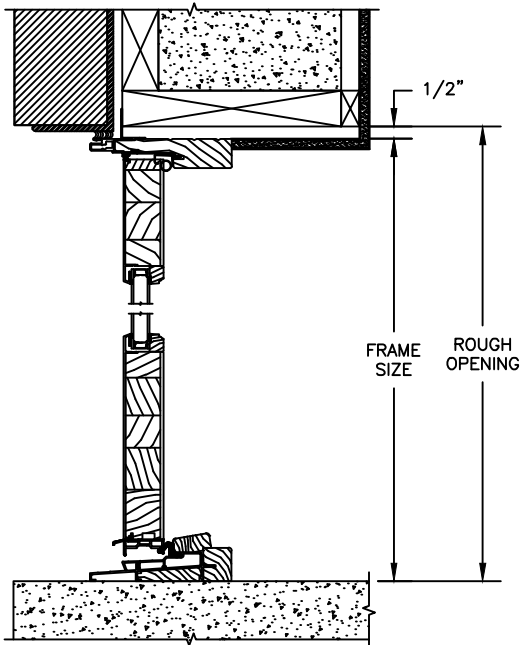
SCALE: 1 1/2" = 1'-0"



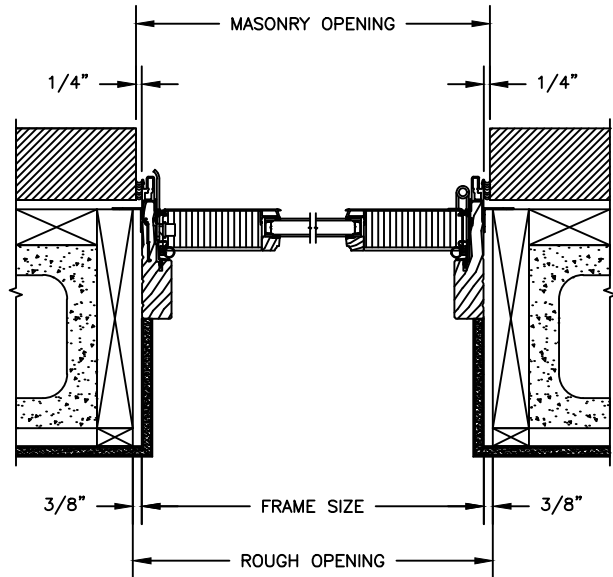
HEAD JAMB & SILL  
2 X 6 FRAME WITH BRICK VENEER



JAMBS  
2 X 6 FRAME WITH BRICK VENEER



HEAD JAMB & SILL  
8" CONCRETE BLOCK WALL  
WITH BRICK VENEER



JAMBS  
8" CONCRETE BLOCK WALL  
WITH BRICK VENEER

# Pinnacle Series

## CLAD PATIO DOOR - FRENCH INSWING/OUTSWING

### HARDWARE MACHINING DETAILS

