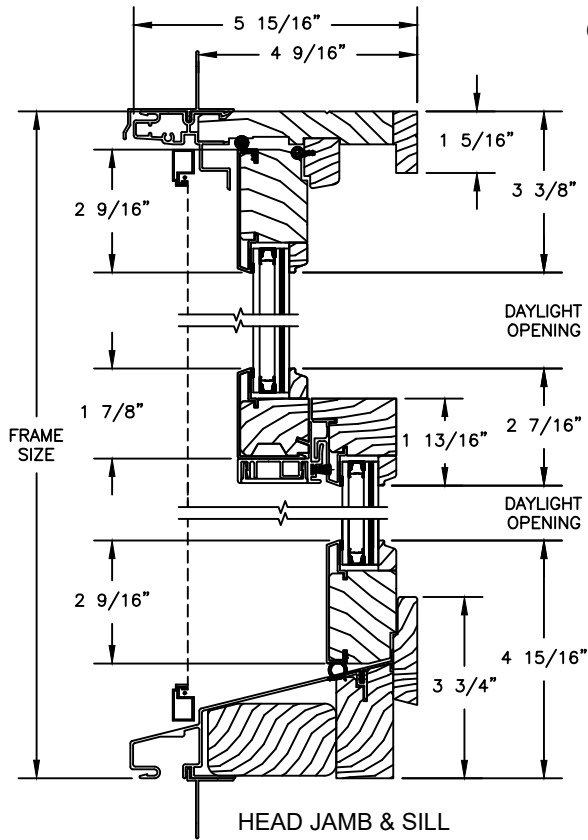


Pinnacle Impact Series

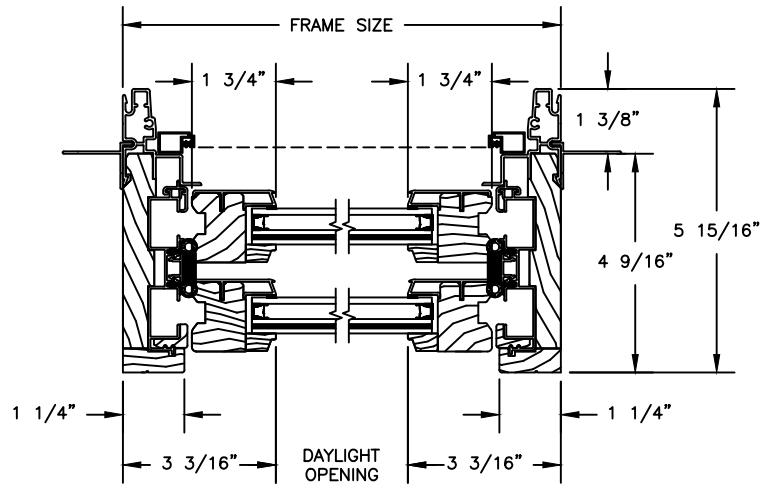
CLAD DOUBLE HUNG

SECTION DETAILS : OPERATING / PICTURE

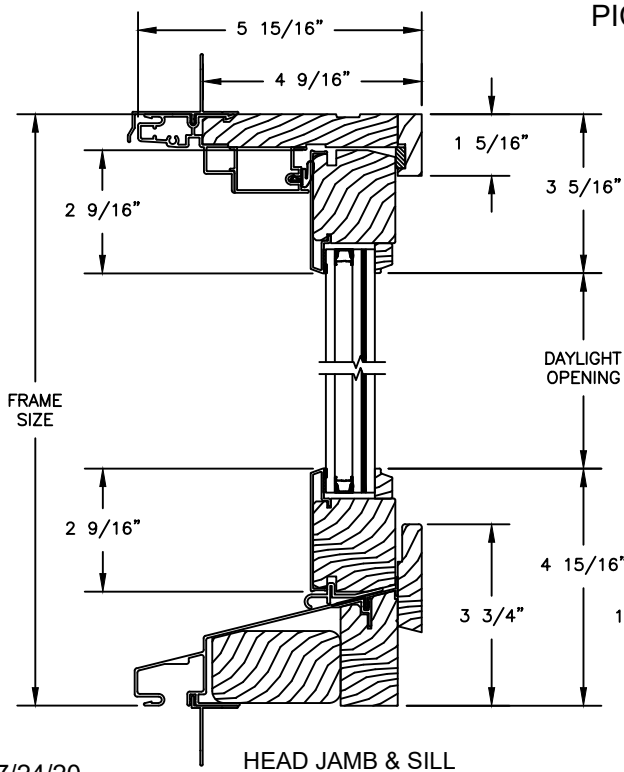
SCALE: 3" = 1'-0"



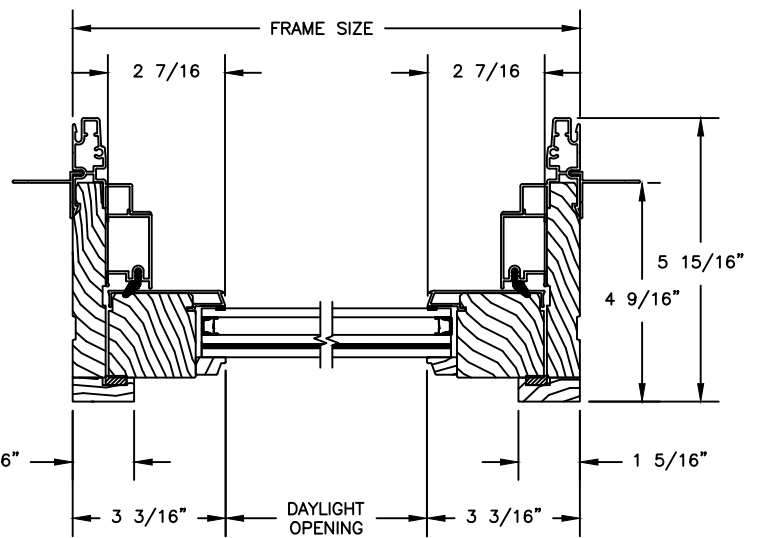
OPERATING



JAMBS



PICTURE



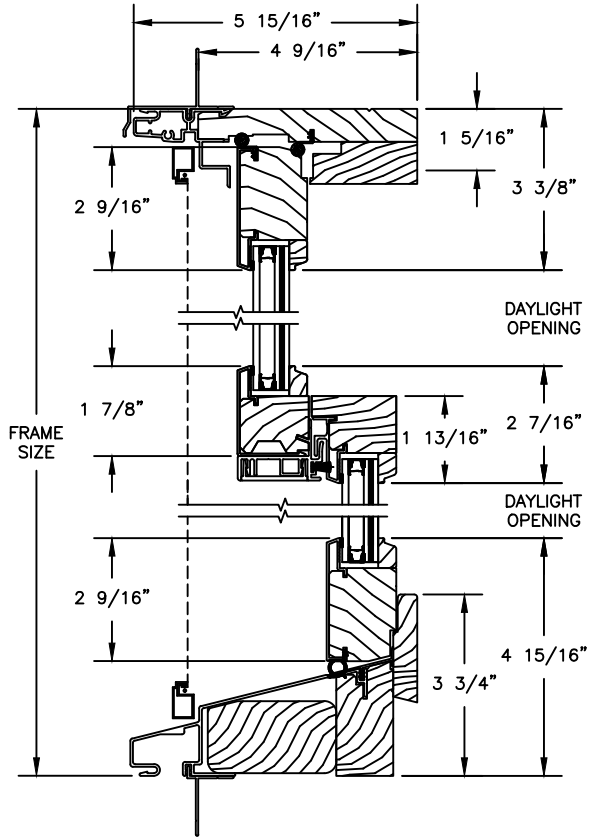
JAMBS

Pinnacle Impact Series

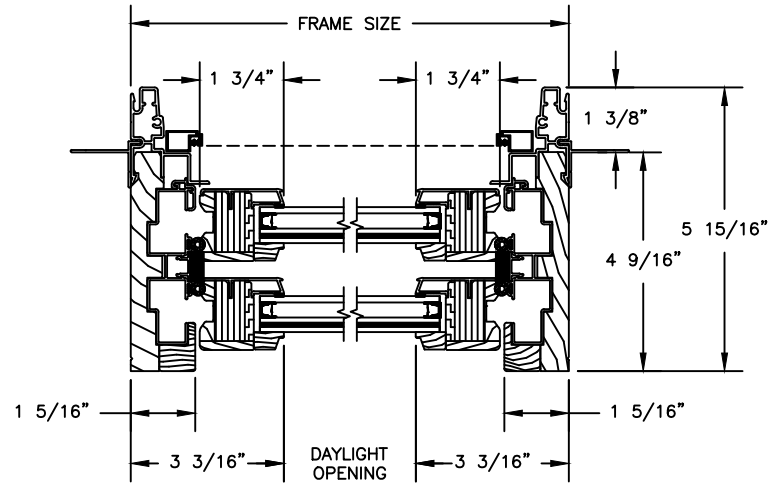
CLAD DOUBLE HUNG - HVHZ Upgrade

SECTION DETAILS : OPERATING
 SCALE: 3" = 1'-0"

OPERATING



HEAD JAMB & SILL

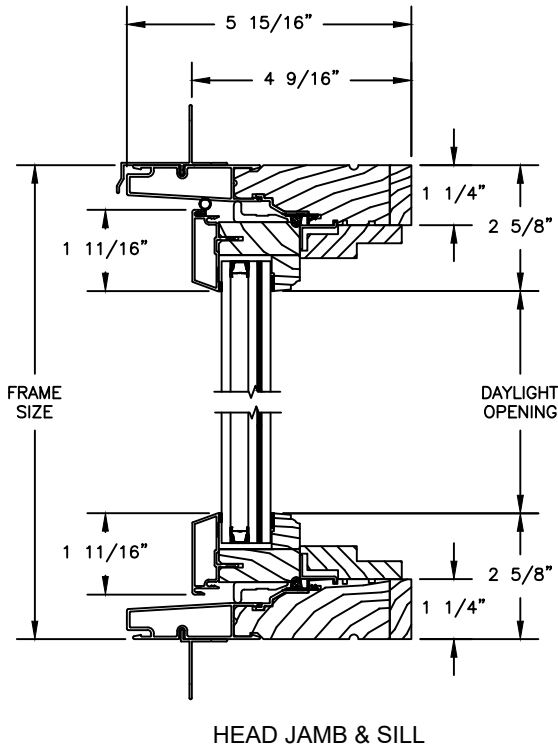


JAMBS

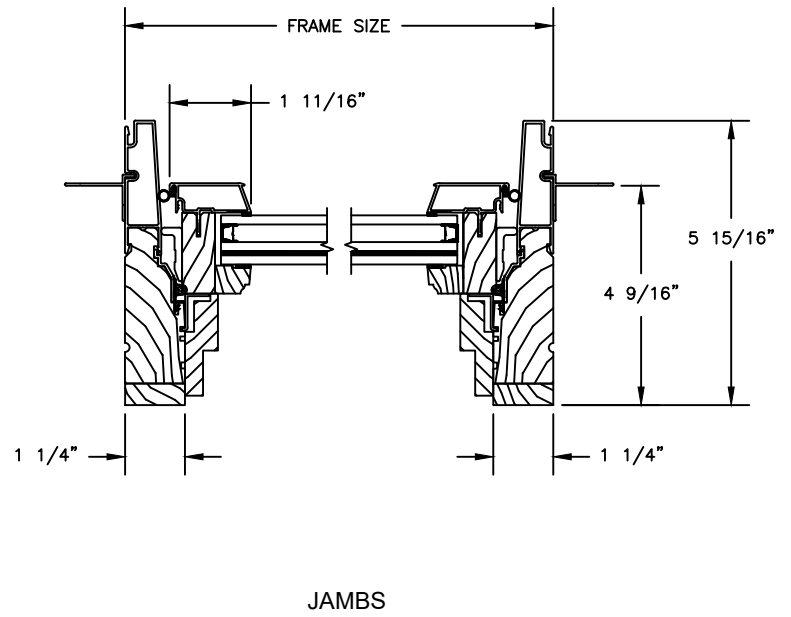
Pinnacle Impact Series

CLAD DOUBLE HUNG

SECTION DETAILS : TRANSOM
SCALE: 3" = 1'-0"



TRANSOM

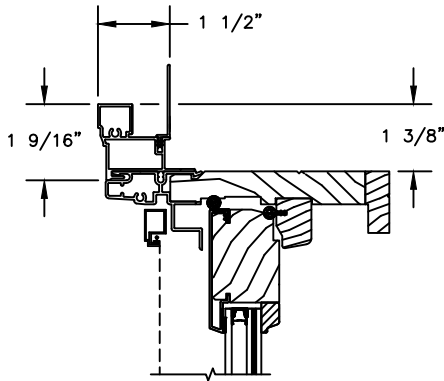


Pinnacle Impact Series

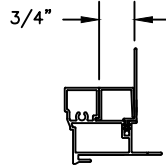
CLAD DOUBLE HUNG

SECTION DETAILS : CASING OPTIONS

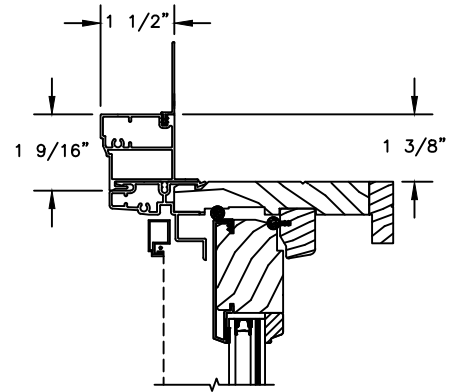
SCALE: 3" = 1'-0"



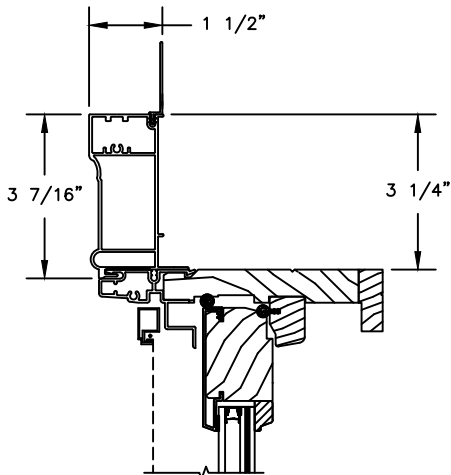
HEAD JAMB WITH
CLAD 180 BRICKMOULD CASING



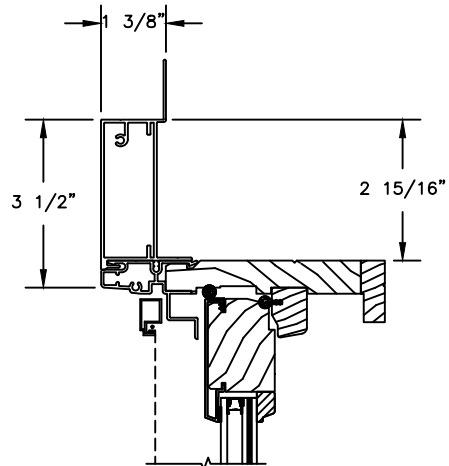
CLAD BRICKMOULD CASING
WITH OPTIONAL J-CHANNEL COVER



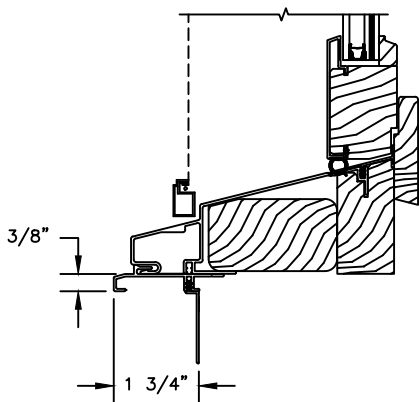
HEAD JAMB WITH
CLAD SQUARE BRICKMOULD CASING



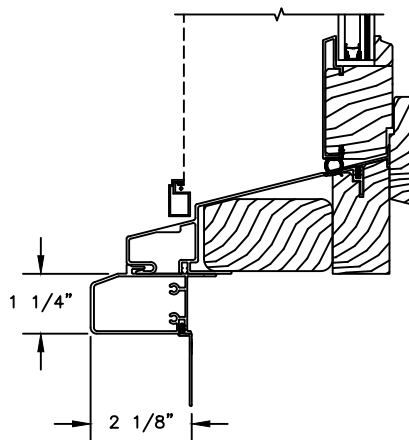
HEAD JAMB WITH
CLAD WILLIAMSBURG CASING



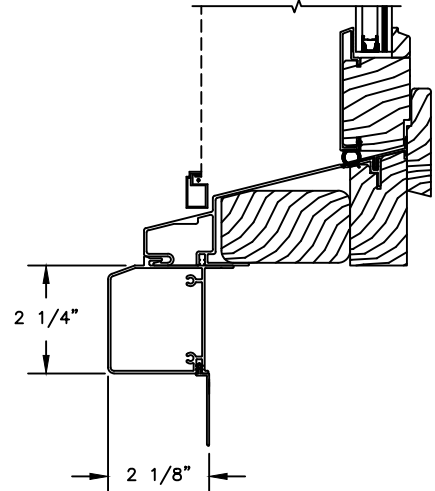
HEAD JAMB WITH
3 1/2" CLAD FLAT CASING



SILL WITH
3/8" CLAD SUBSILL



SILL WITH
1 1/4" CLAD SUBSILL



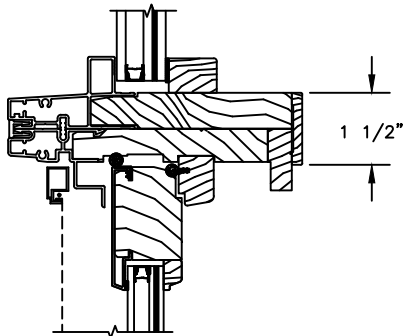
SILL WITH
2 1/4" CLAD SUBSILL

Pinnacle Impact Series

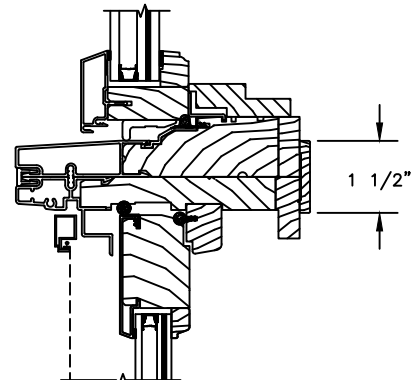
CLAD DOUBLE HUNG

SECTION DETAILS : MULLIONS

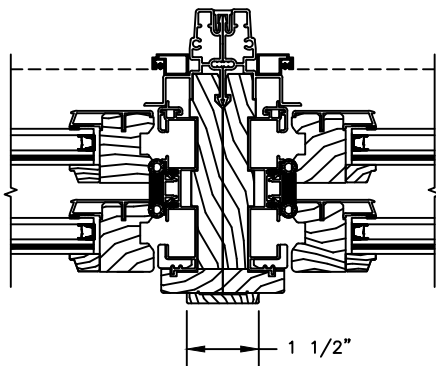
SCALE: 3" = 1'-0"



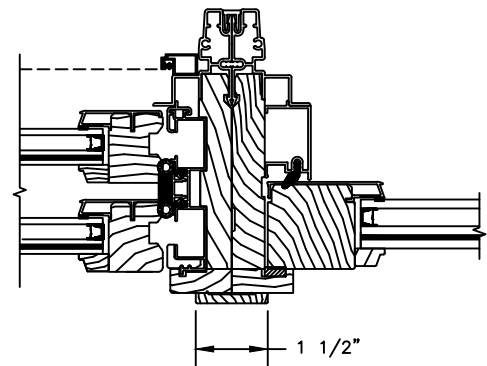
HORIZONTAL MULLION
RADIUS/OPERATOR



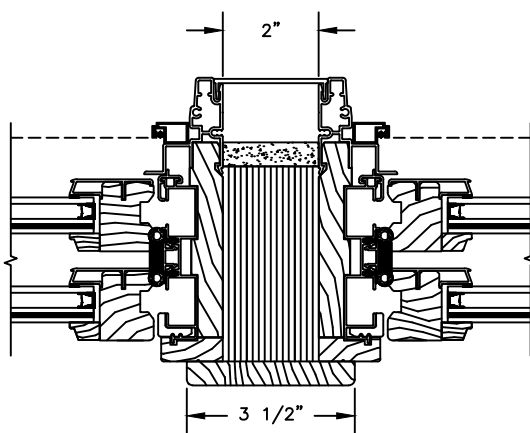
HORIZONTAL MULLION
TRANSOM/OPERATOR



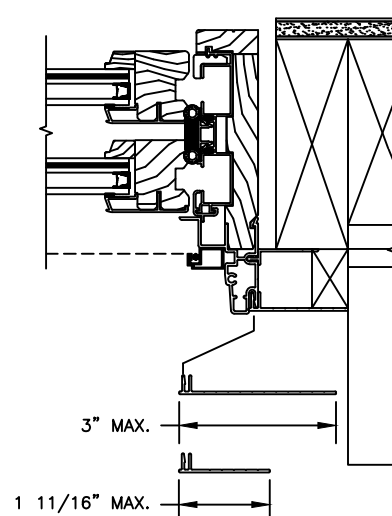
VERTICAL MULLION
OPERATOR/OPERATOR



VERTICAL MULLION
OPERATOR/PICTURE



VERTICAL MULLION WITH
2" SPREAD MULL
ADDITIONAL WIDTHS INCLUDE:
1", 2", 2 1/2", 3", & 4"



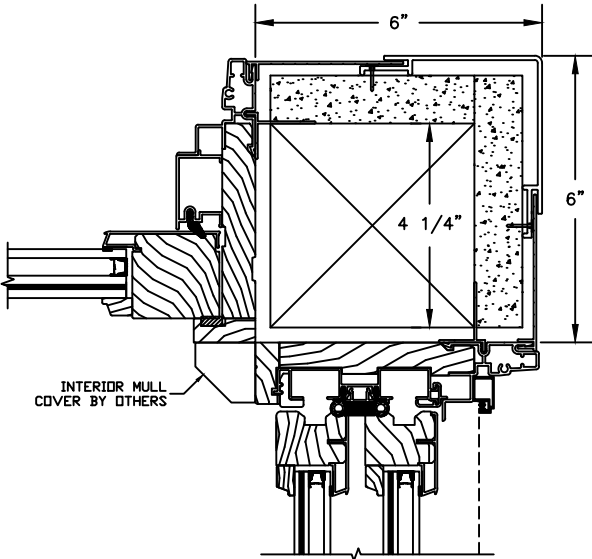
OPTIONAL FRAME
EXPANDERS

Pinnacle Impact Series

CLAD DOUBLE HUNG

SECTION DETAILS : MULLIONS

SCALE: 3" = 1'-0"



90° MULLION
PICTURE/OPERATOR
(ONLY USED WITH 4 9/16" JAMB & 3 1/4"
FRAME EXPANDER)

Pinnacle Impact Series

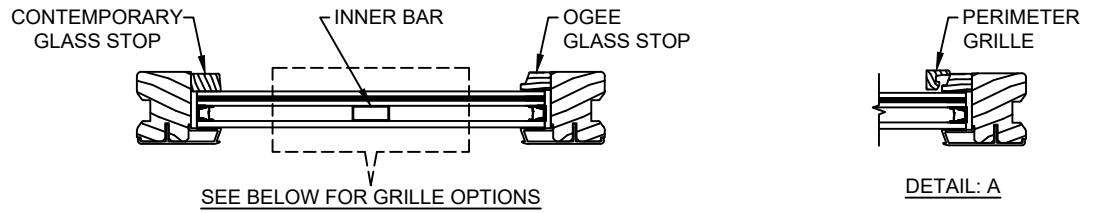
CLAD DOUBLE HUNG

SECTION DETAILS : GLASS STOP & DIVIDED LITE OPTIONS

SCALE: 3" = 1'-0"

AVAILABLE STYLES

-  - PUTTY
-  - OGEE
-  - CONTEMPORARY



	5/8" WDL WITH INNER BAR	7/8" WDL WITH INNERBAR	1 1/4" WDL WITH INNERBAR	2" WDL WITH INNERBAR
STANDARD INSULATING GLASS				
13/16" INNERGRILLE				
3/4" PROFILED INNERGRILLE				
1" PROFILED INNERGRILLE				
7/8" STICK & PERIMETER GRILLE				
1 1/4" STICK & PERIMETER GRILLE				

NOTE:

* ALL WDL OPTIONS CAN BE ORDERED WITH OR WITHOUT INNER BAR

* PERIMETER GRILLES ONLY AVAILABLE IN THE 7/8" AND 1 1/4" OGEE STYLE GLASS STOP (SEE DETAIL: A)