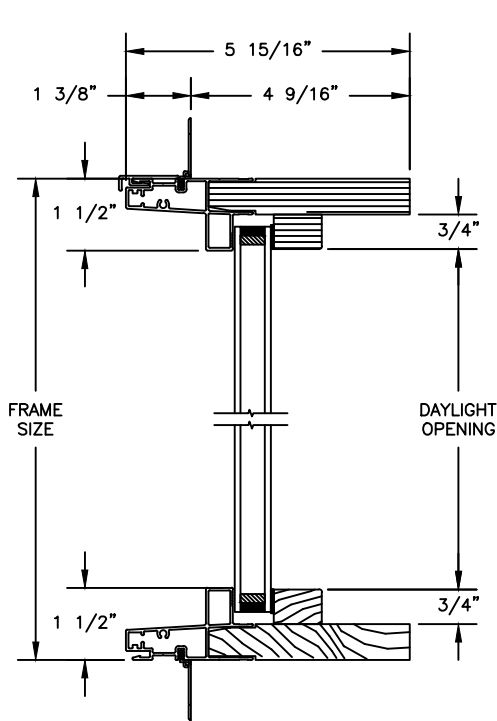


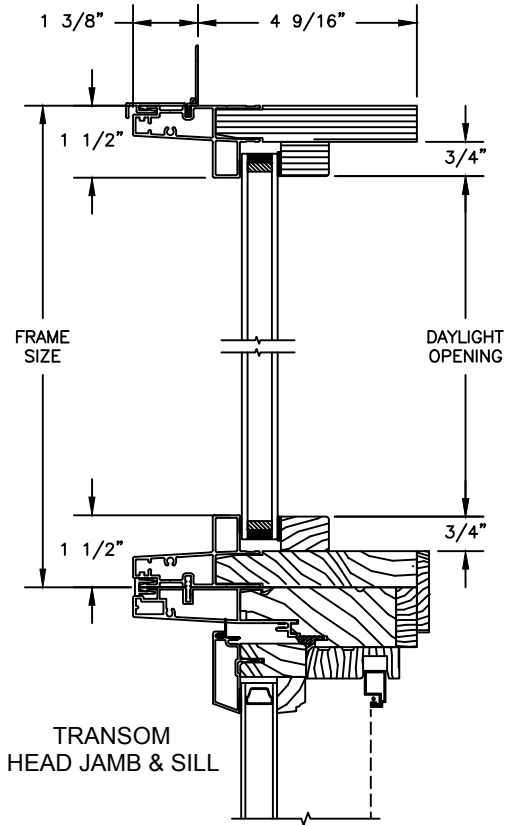
Pinnacle Series

CLAD RADIUS CASEMENT

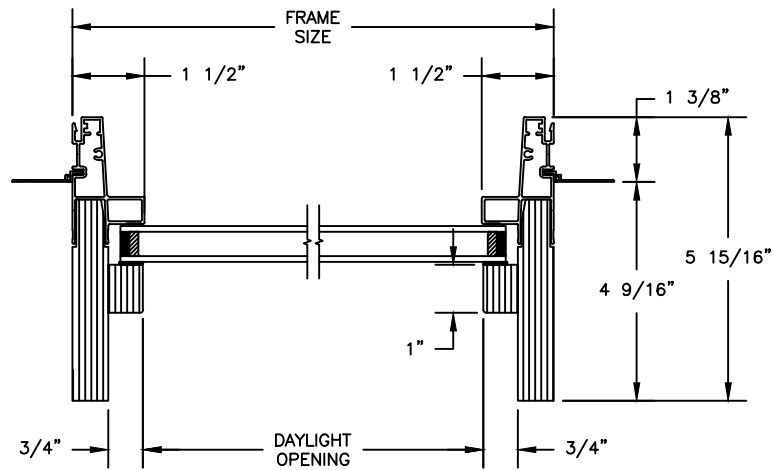
SECTION DETAILS: HALF ROUND
 SCALE: 3" = 1'-0"



HEAD JAMB & SILL

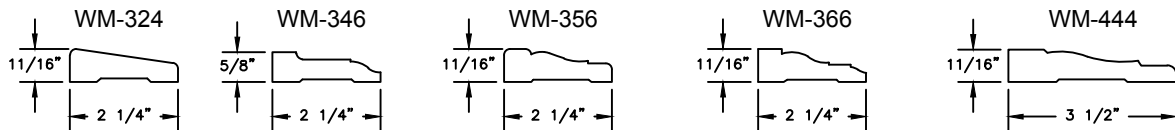


TRANSOM
 HEAD JAMB & SILL



HALF ROUNDS, FULL ROUNDS & OVALS
 JAMB

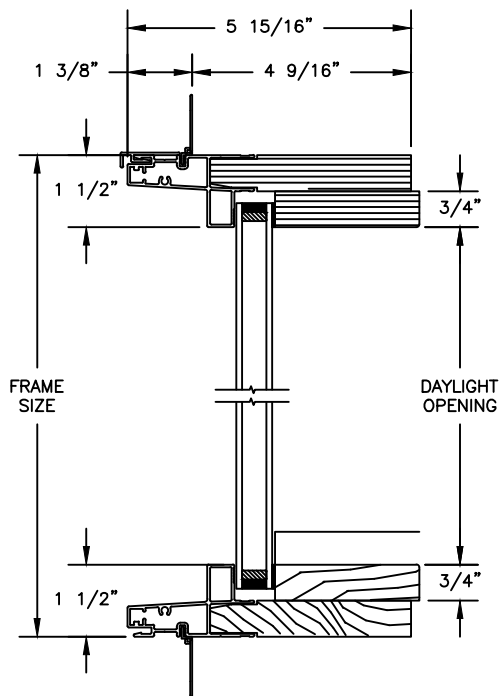
AVAILABLE INTERIOR TRIM PROFILES



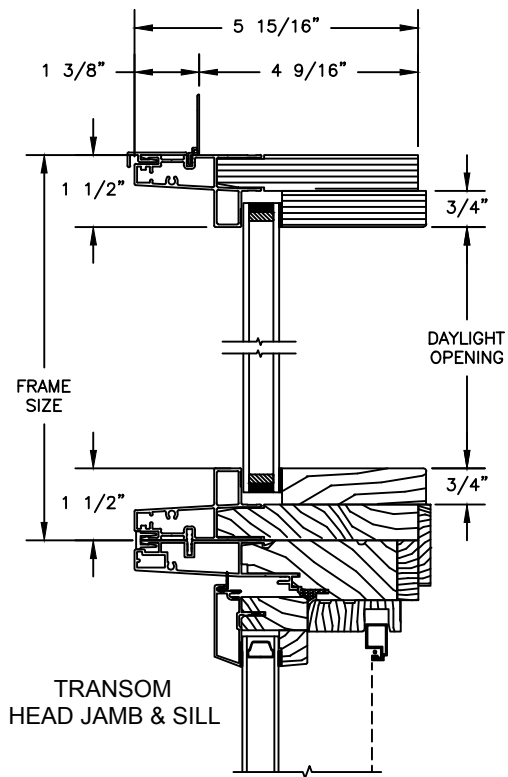
Pinnacle Series

CLAD RADIUS CASEMENT

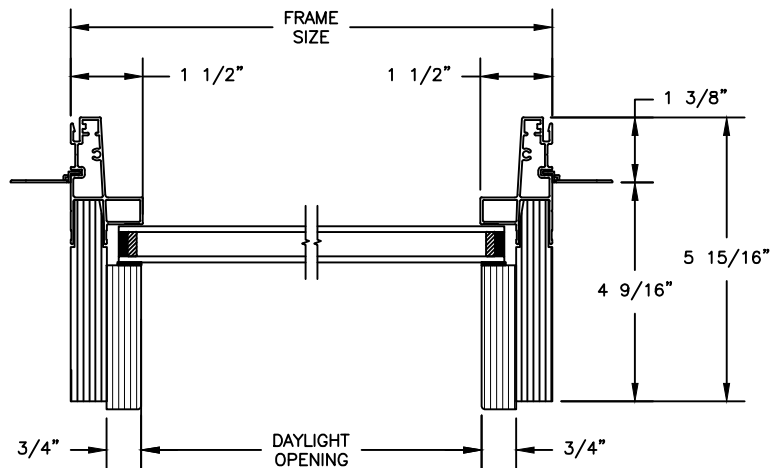
SECTION DETAILS: HALF ROUND WITH CONTEMPORARY STOPS
 SCALE: 3" = 1'-0"



HEAD JAMB & SILL

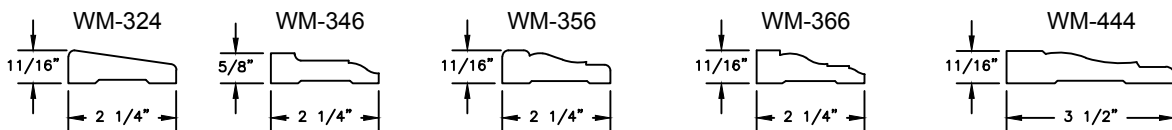


TRANSOM HEAD JAMB & SILL



HALF ROUNDS, FULL ROUNDS & OVALS
 JAMB

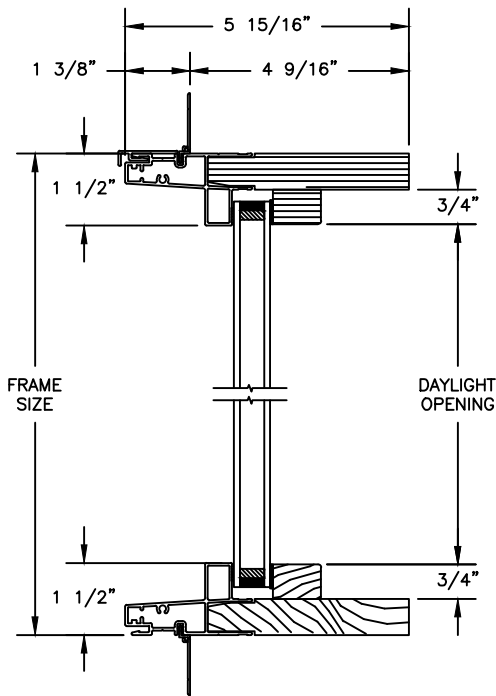
AVAILABLE INTERIOR TRIM PROFILES



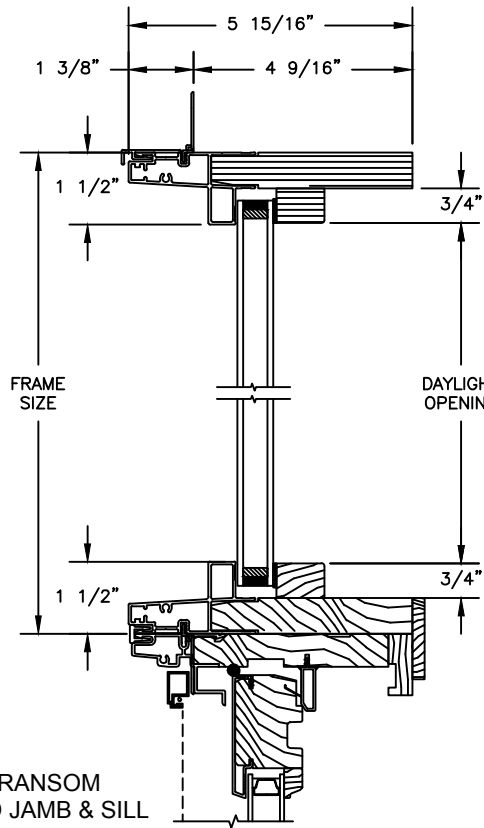
Pinnacle Series

CLAD RADIUS DOUBLE HUNG

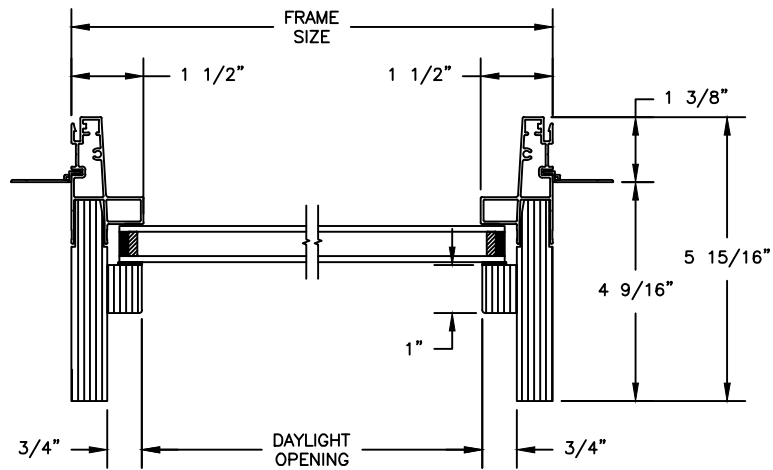
SECTION DETAILS: HALF ROUND
 SCALE: 3" = 1'-0"



HEAD JAMB & SILL

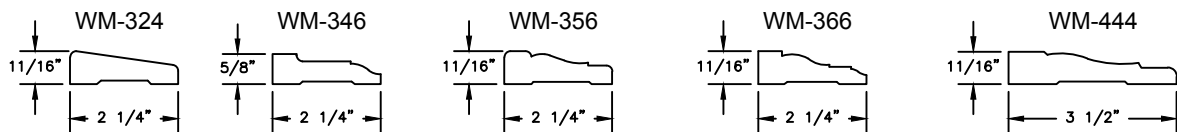


TRANSOM
 HEAD JAMB & SILL



HALF ROUNDS, FULL ROUNDS & OVALS
 JAMB

AVAILABLE INTERIOR TRIM PROFILES

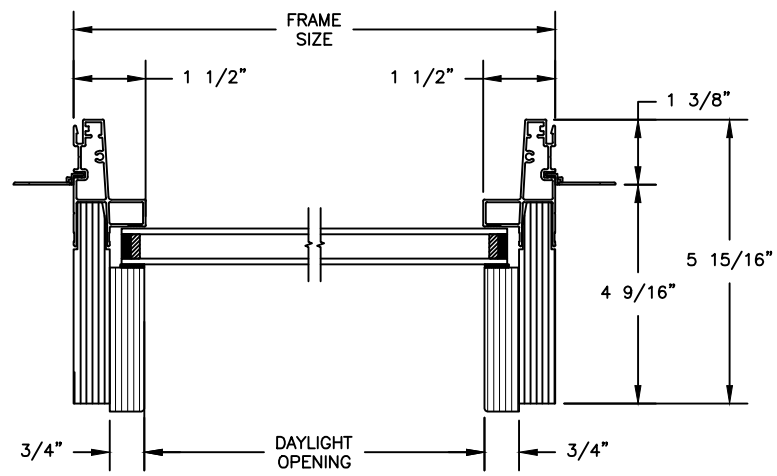
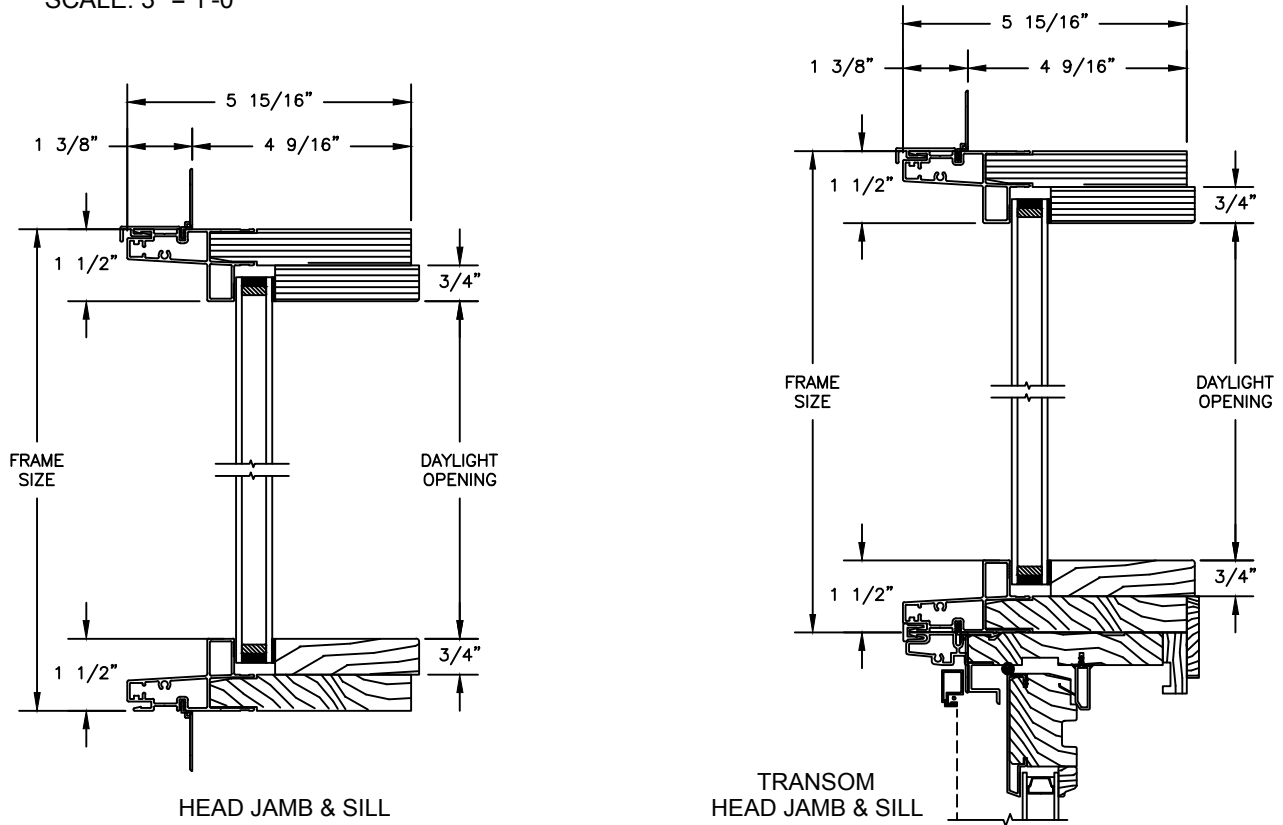


Pinnacle Series

CLAD RADIUS DOUBLE HUNG

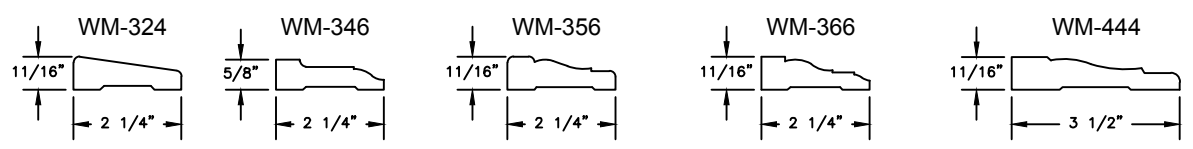
SECTION DETAILS: HALF ROUND WITH CONTEMPORARY STOPS

SCALE: 3" = 1'-0"



HALF ROUNDS, FULL ROUNDS & OVALS
JAMB

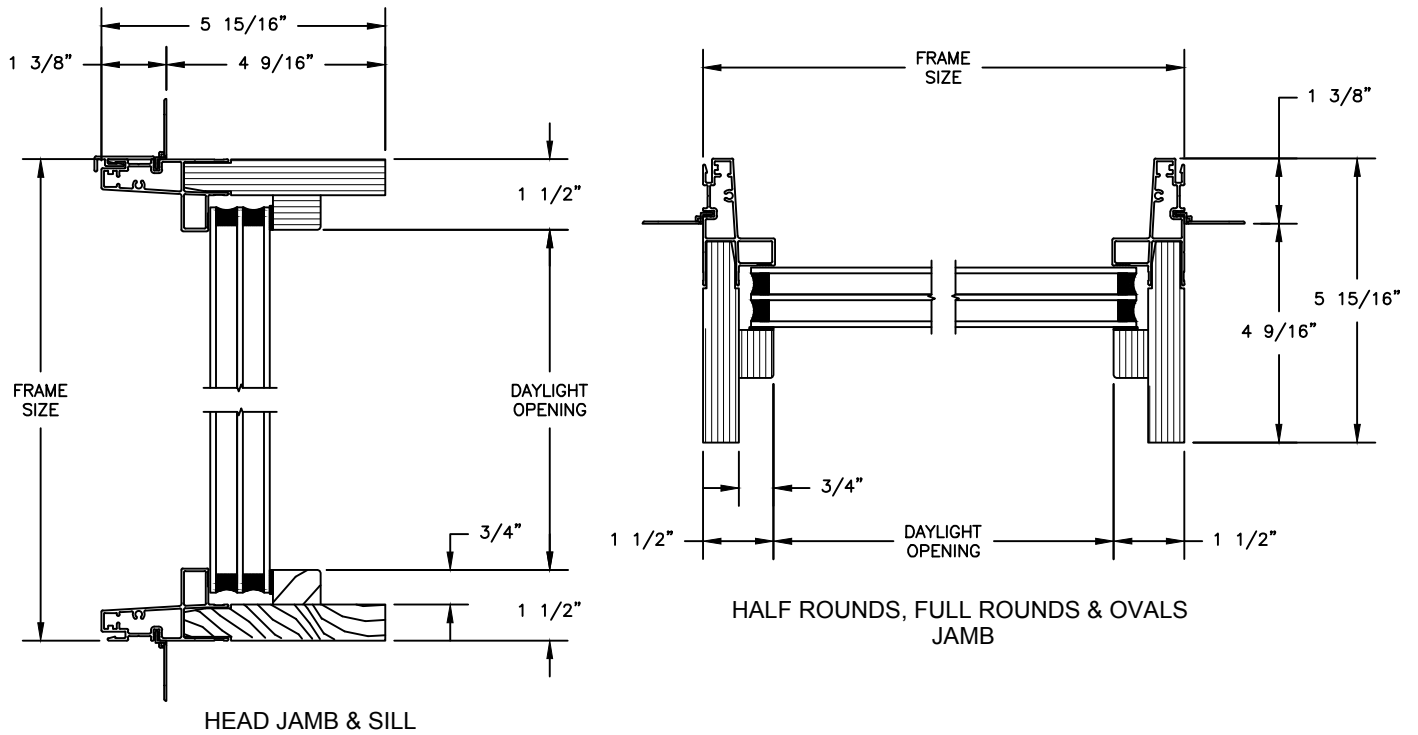
AVAILABLE INTERIOR TRIM PROFILES



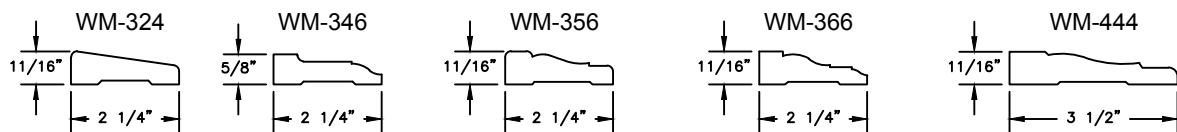
Pinnacle Series

CLAD RADIUS DIRECT SET

SECTION DETAILS: 1 1/4" TRIPLE IG RADIUS
 SCALE: 3" = 1'-0"



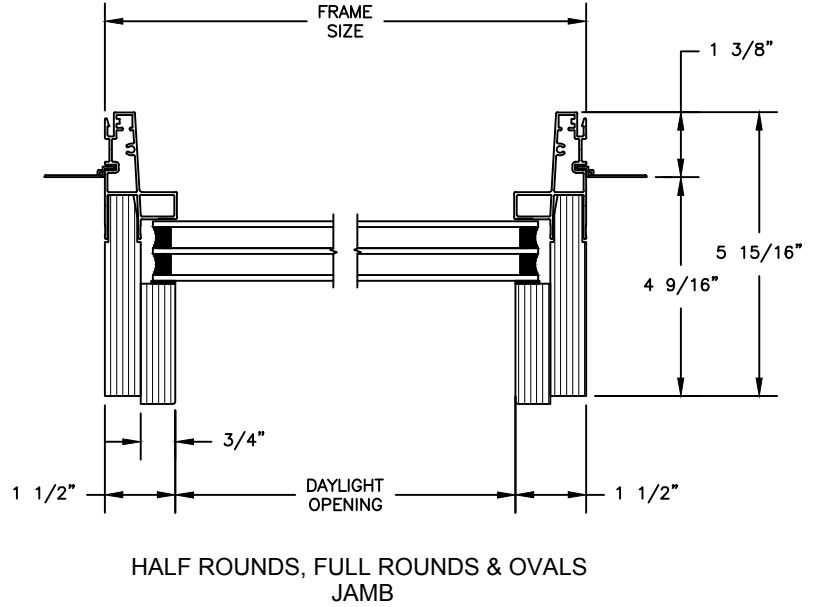
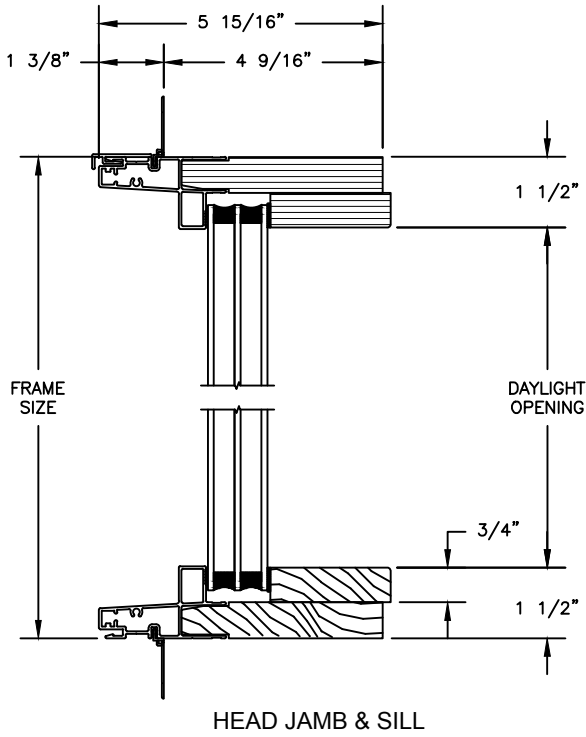
AVAILABLE INTERIOR TRIM PROFILES



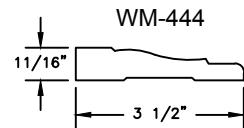
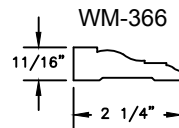
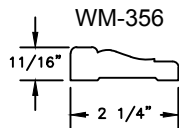
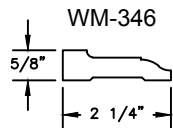
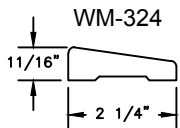
Pinnacle Series

CLAD RADIUS DIRECT SET

SECTION DETAILS: 1 1/4" TRIPLE IG RADIUS WITH CONTEMPORARY STOPS
 SCALE: 3" = 1'-0"



AVAILABLE INTERIOR TRIM PROFILES

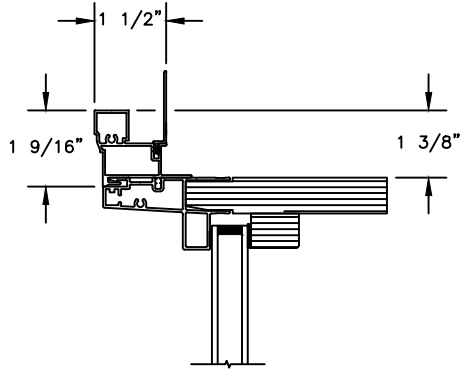


Pinnacle Series

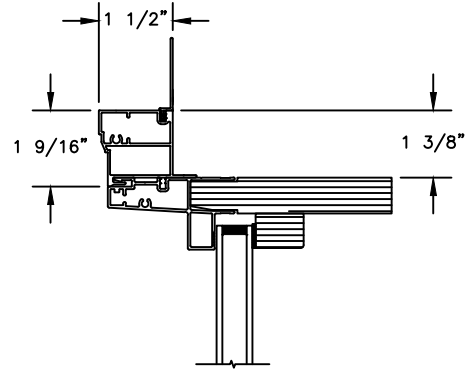
CLAD RADIUS

SECTION DETAILS : CASING OPTIONS

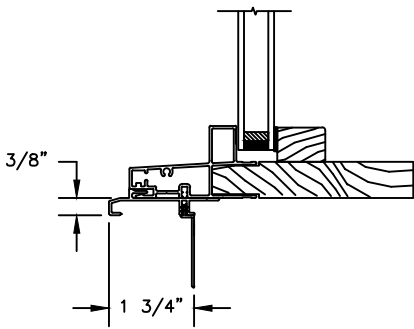
SCALE: 3" = 1'-0"



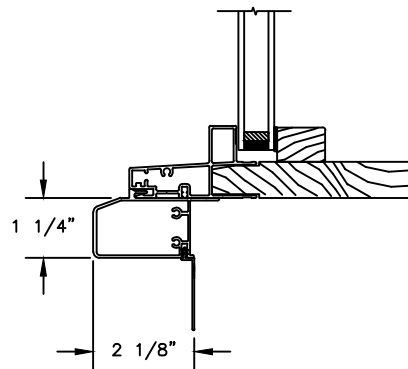
HEAD JAMB WITH
CLAD 180 BRICKMOULD CASING



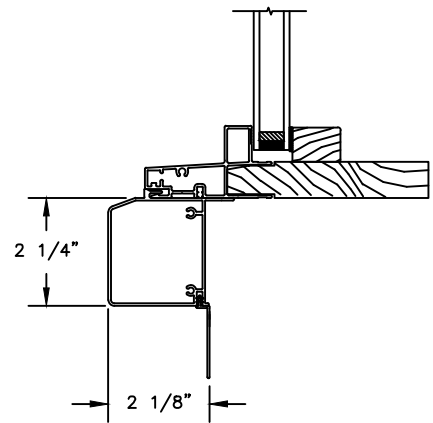
HEAD JAMB WITH
CLAD SQUARE BRICKMOULD
CASING



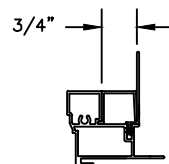
SILL WITH
3/8" CLAD SUBSILL



SILL WITH
1 1/4" CLAD SUBSILL



SILL WITH
2 1/4" CLAD SUBSILL



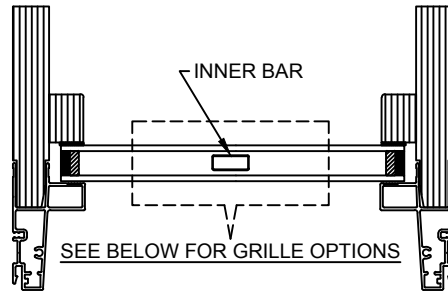
CLAD BRICKMOULD CASING
WITH OPTIONAL J-CHANNEL COVER

Pinnacle Series

CLAD RADIUS

SECTION DETAILS : DIVIDED LITE OPTIONS

SCALE: 3" = 1'-0"



AVAILABLE STYLES

-  - PUTTY
-  - TALL PUTTY*
-  - OGEE
-  - CONTEMPORARY
-  - TALL CONTEMPORARY*

*CLAD EXTERIOR BAR ONLY

	5/8" WDL WITH INNER BAR	7/8" WDL WITH INNER BAR	1 1/4" WDL WITH INNER BAR	2" WDL WITH INNER BAR
STANDARD INSULATING GLASS				
13/16" INNERGRILLE				
3/4" PROFILED INNERGRILLE				
1" PROFILED INNERGRILLE				
7/8" STICK GRILLE				
1 1/4" STICK GRILLE				

NOTE:

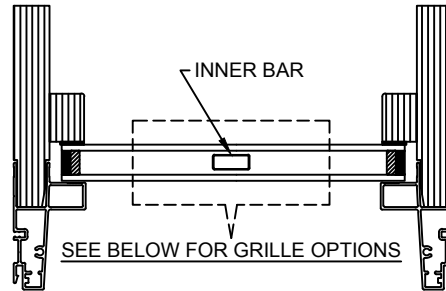
* ALL WDL OPTIONS CAN BE ORDERED WITH OR WITHOUT INNER BAR

Pinnacle Series

CLAD RADIUS

SECTION DETAILS : DIVIDED LITE OPTIONS

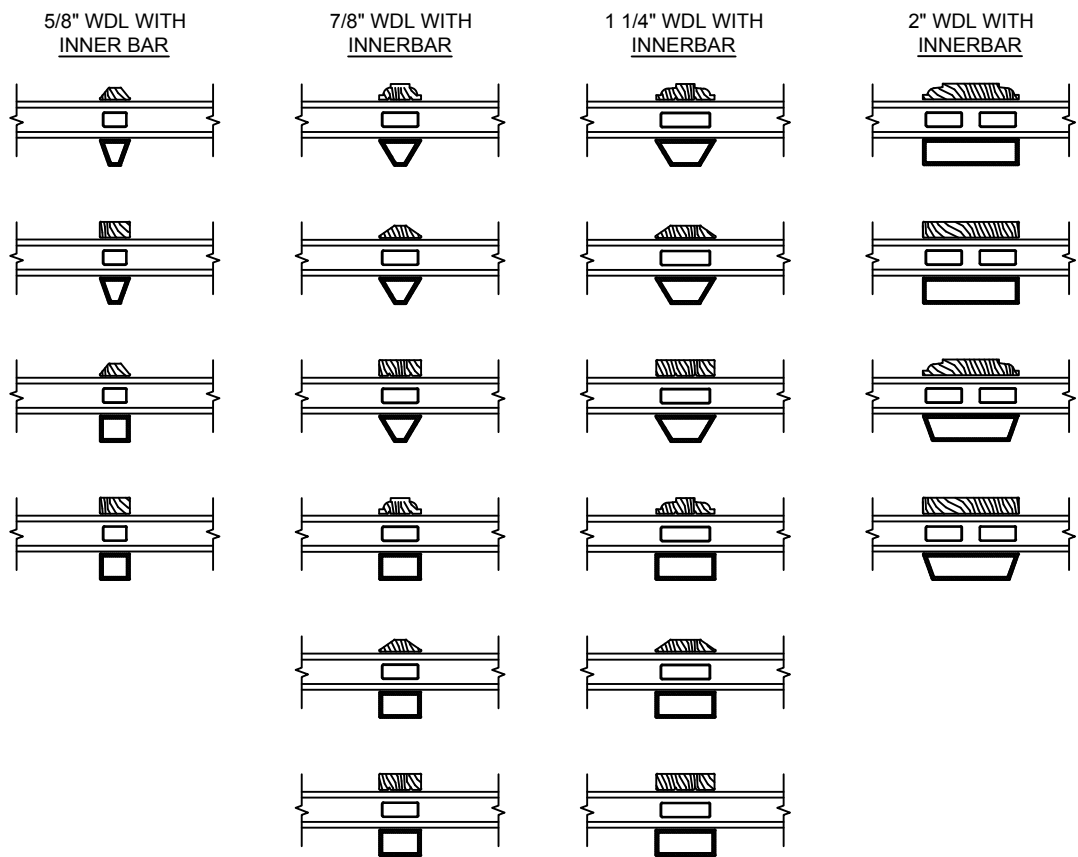
SCALE: 3" = 1'-0"



AVAILABLE STYLES

-  - PUTTY
-  - TALL PUTTY*
-  - OGEE
-  - CONTEMPORARY
-  - TALL CONTEMPORARY*

*CLAD EXTERIOR BAR ONLY



NOTE:

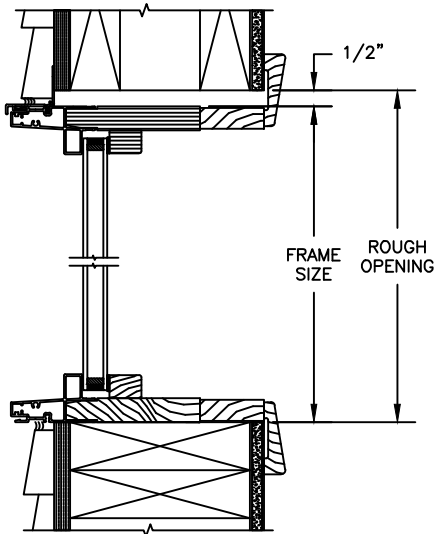
* ALL WDL OPTIONS CAN BE ORDERED WITH OR WITHOUT INNER BAR

Pinnacle Series

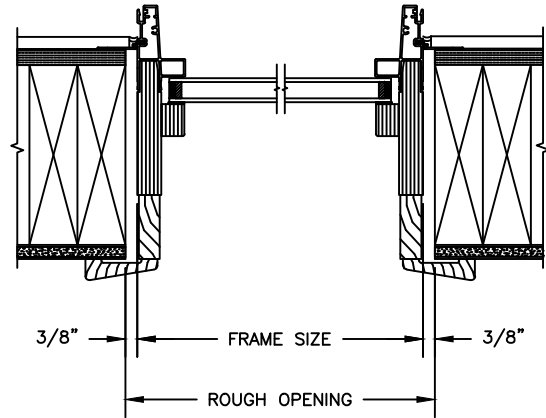
CLAD RADIUS

SECTION DETAILS : CONSTRUCTION

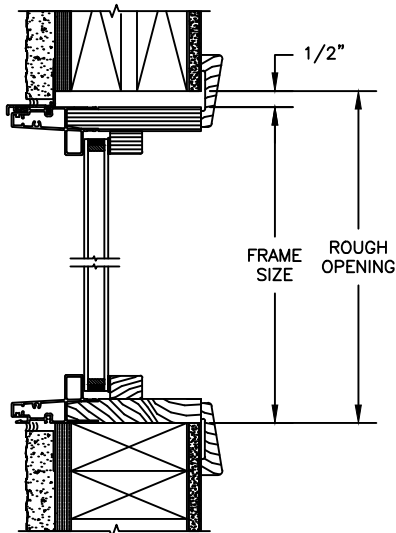
SCALE: 2" = 1'-0"



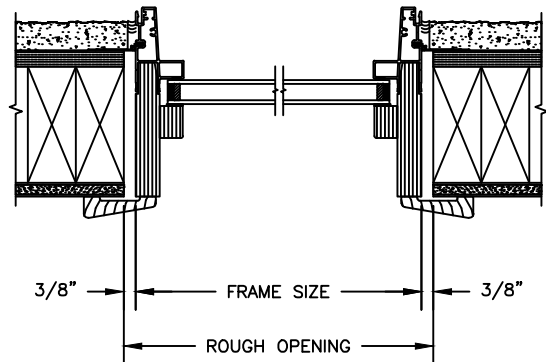
HEAD JAMB & SILL
2 X 6 FRAME WITH SIDING



HEAD JAMB & SILL
2 X 6 FRAME WITH SIDING



HEAD JAMB & SILL
2 X 4 FRAME WITH STUCCO



JAMBS
2 X 4 FRAME WITH STUCCO

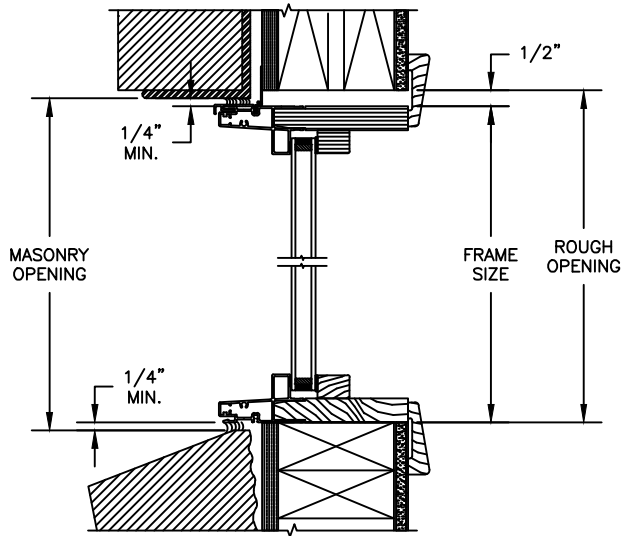
NOTE :
THE ABOVE WALL SECTIONS REPRESENT TYPICAL WALL CONDITIONS, THESE DETAILS ARE NOT INTENDED AS INSTALLATIONS INSTRUCTIONS. PLEASE REFER TO THE INSTALLATION INSTRUCTIONS PROVIDED WITH THE PURCHASED UNITS.

Pinnacle Series

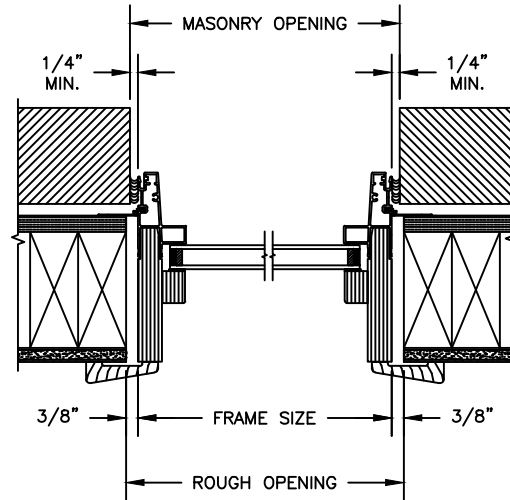
CLAD RADIUS

SECTION DETAILS : CONSTRUCTION

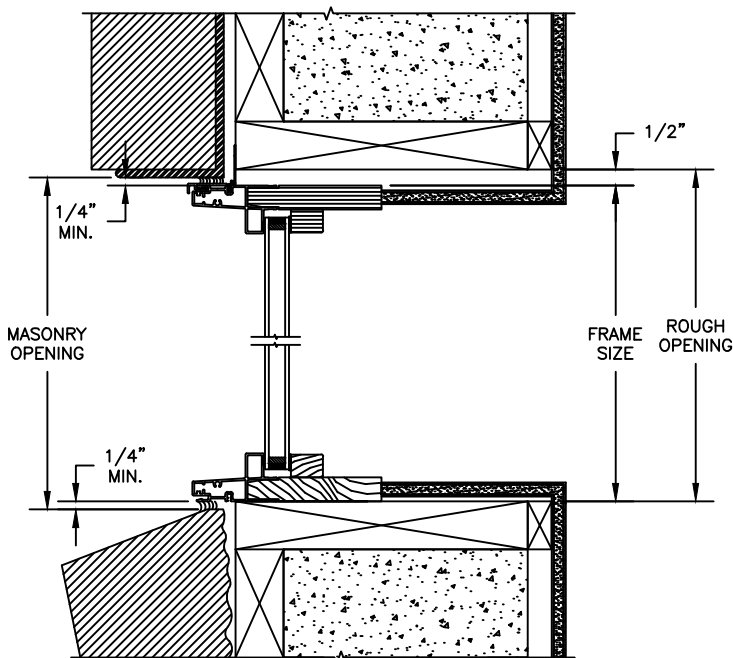
SCALE: 2" = 1'-0"



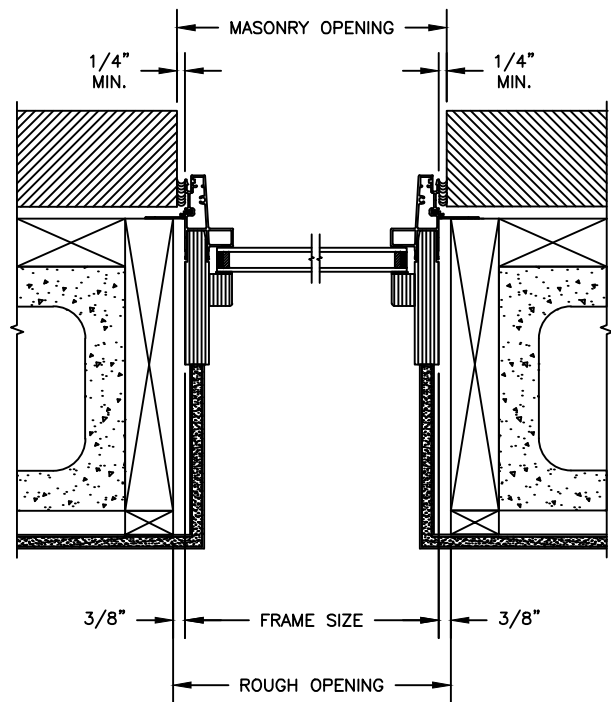
HEAD JAMB & SILL
2 X 4 FRAME WITH BRICK VENEER



JAMBS
2 X 4 FRAME WITH BRICK VENEER



HEAD JAMB & SILL
8" CONCRETE BLOCK WALL
WITH BRICK VENEER



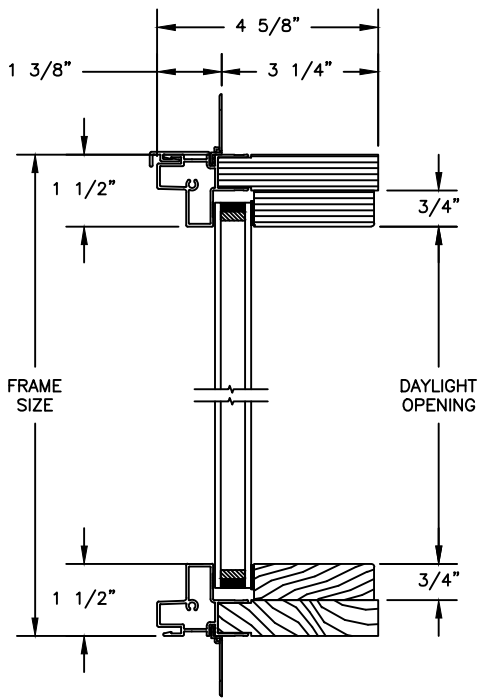
JAMBS
8" CONCRETE BLOCK WALL
WITH BRICK VENEER

Pinnacle Series

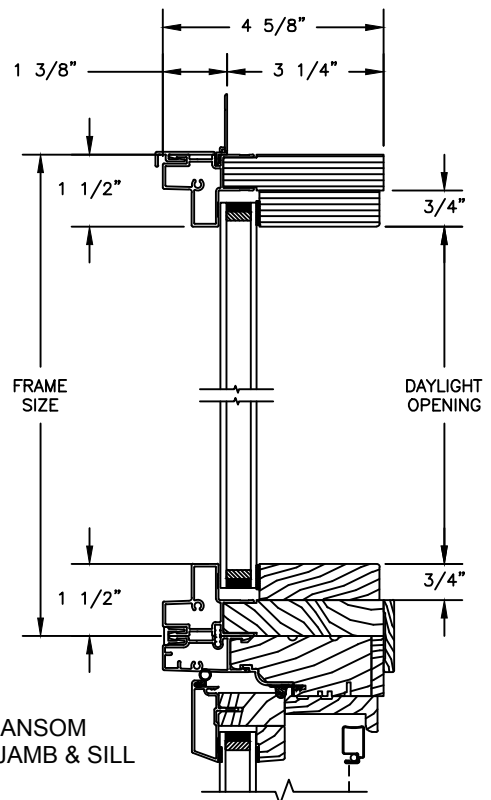
CLAD RADIUS - 3 1/4" FRAME

SECTION DETAILS: HALF ROUND

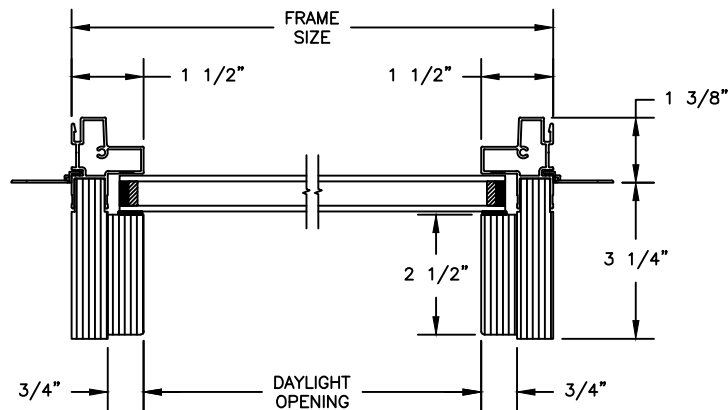
SCALE: 3" = 1'-0"



HEAD JAMB & SILL



TRANSOM
HEAD JAMB & SILL



HALF ROUNDS, FULL ROUNDS & OVALS
JAMB

Pinnacle Series

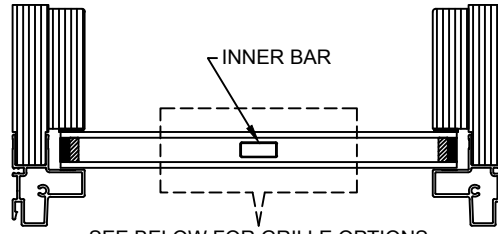
CLAD RADIUS

SECTION DETAILS : 3 1/4" FRAME DIVIDED LITE OPTIONS

SCALE: 3" = 1'-0"

AVAILABLE STYLES

-  - PUTTY
-  - TALL PUTTY*
-  - OGEE
-  - CONTEMPORARY
-  - TALL CONTEMPORARY*



*CLAD EXTERIOR BAR ONLY

	5/8" WDL WITH INNER BAR	7/8" WDL WITH INNERBAR	1 1/4" WDL WITH INNERBAR	2" WDL WITH INNERBAR
STANDARD INSULATING GLASS				
13/16" INNERGRILLE				
3/4" PROFILED INNERGRILLE				
1" PROFILED INNERGRILLE				
7/8" STICK GRILLE				
1 1/4" STICK GRILLE				

NOTE:

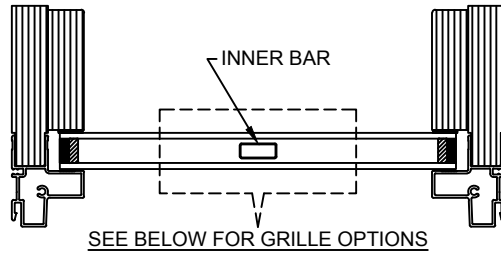
* ALL WDL OPTIONS CAN BE ORDERED WITH OR WITHOUT INNER BAR

Pinnacle Series

CLAD RADIUS

SECTION DETAILS : 3 1/4" FRAME DIVIDED LITE OPTIONS


SCALE: 3" = 1'-0"



AVAILABLE STYLES

 - PUTTY

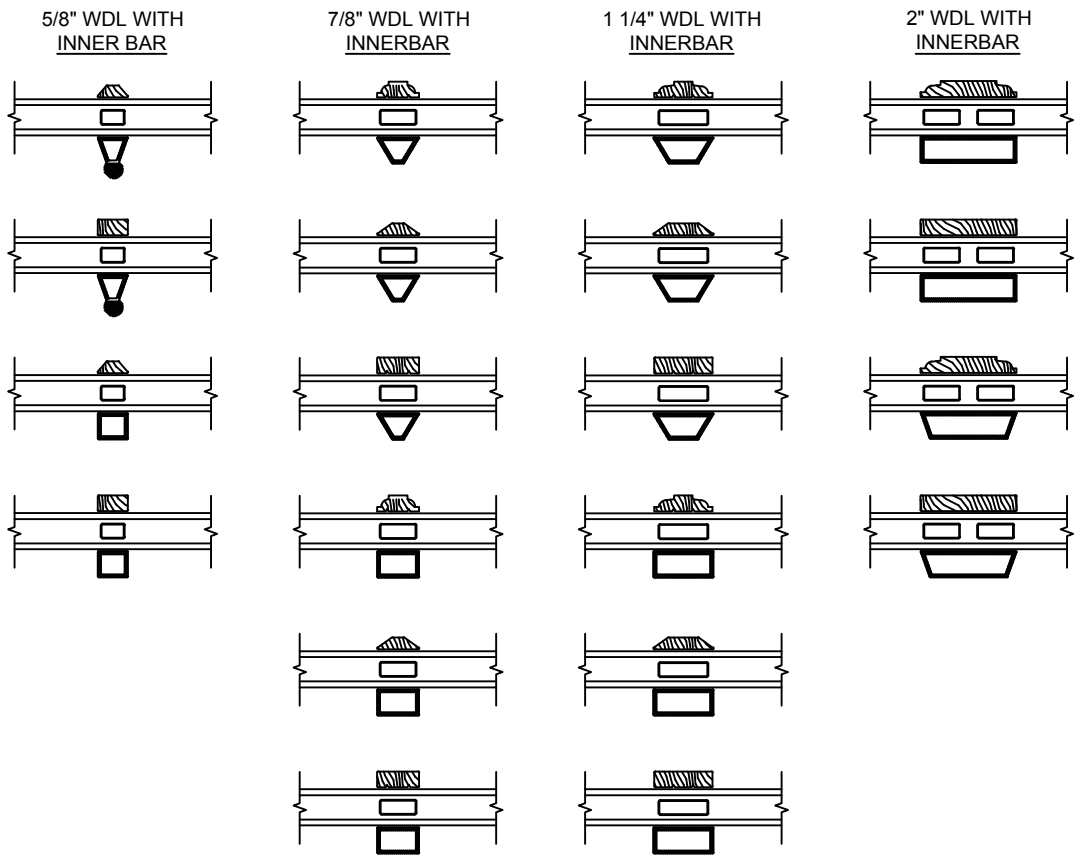
 - TALL PUTTY*

 - OGEE

 - CONTEMPORARY

 - TALL CONTEMPORARY*

*CLAD EXTERIOR BAR ONLY



NOTE:

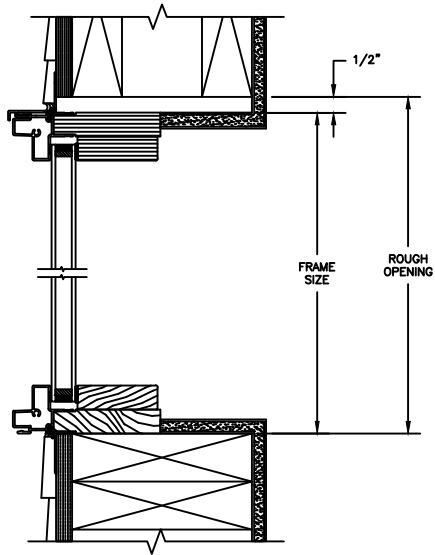
* ALL WDL OPTIONS CAN BE ORDERED WITH OR WITHOUT INNER BAR

Pinnacle Series

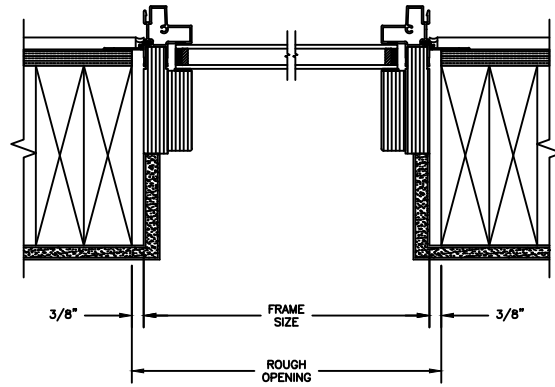
CLAD RADIUS - 3 1/4" FRAME

SECTION DETAILS : CONSTRUCTION

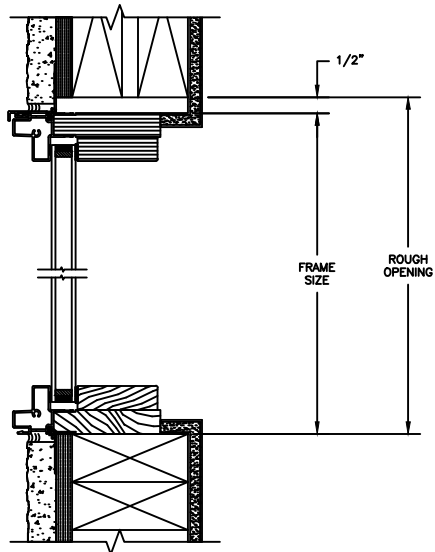
SCALE: 2" = 1'-0"



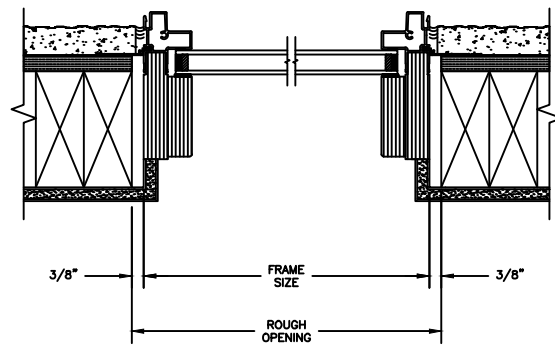
HEAD JAMB & SILL
2 X 6 FRAME WITH SIDING



JAMBS
2 X 6 FRAME WITH SIDING



HEAD JAMB & SILL
2 X 4 FRAME WITH STUCCO



JAMBS
2 X 4 FRAME WITH STUCCO

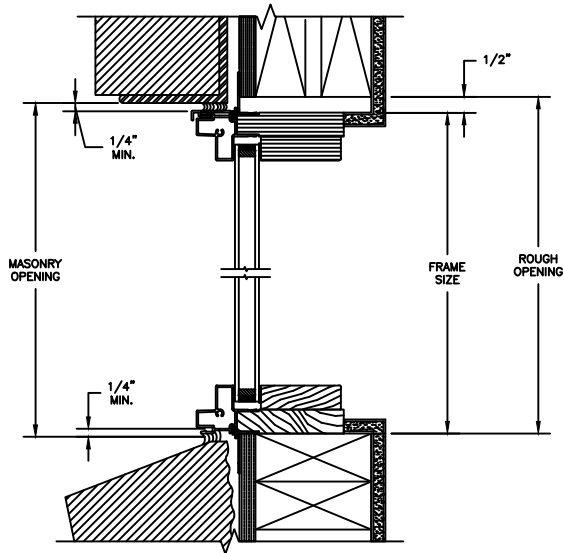
NOTE :
THE ABOVE WALL SECTIONS REPRESENT TYPICAL WALL CONDITIONS, THESE DETAILS ARE NOT INTENDED AS INSTALLATIONS INSTRUCTIONS. PLEASE REFER TO THE INSTALLATION INSTRUCTIONS PROVIDED WITH THE PURCHASED UNITS.

Pinnacle Series

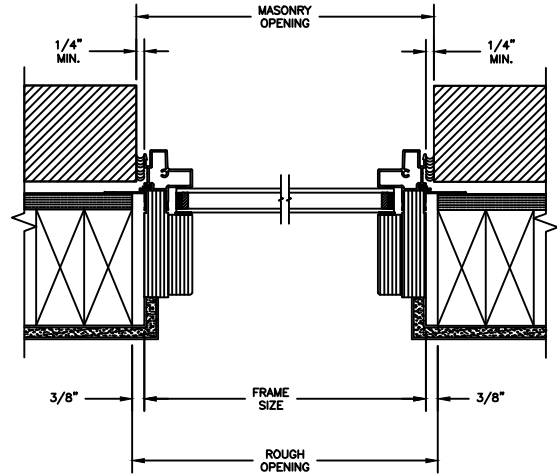
CLAD RADIUS - 3 1/4" FRAME

SECTION DETAILS : CONSTRUCTION

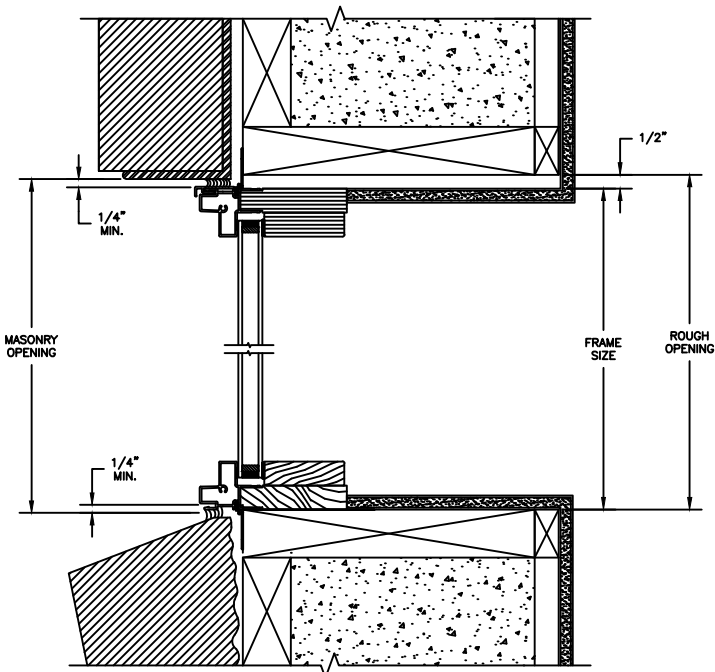
SCALE: 2" = 1'-0"



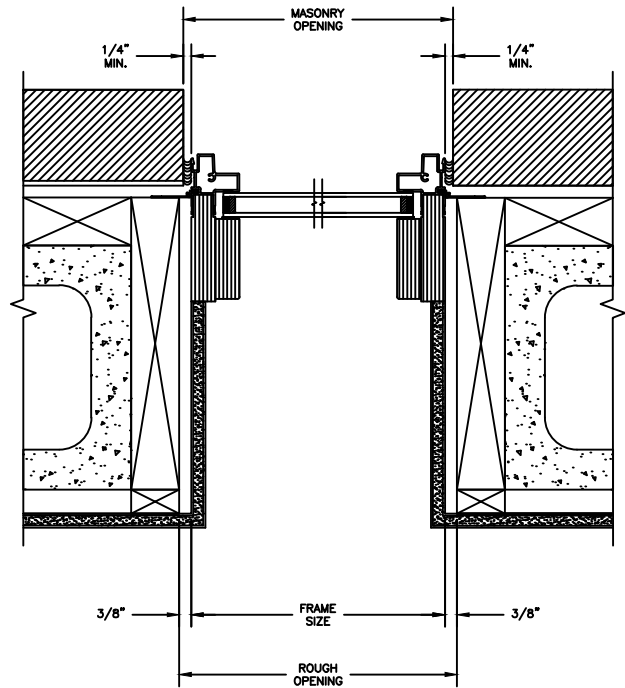
HEAD JAMB & SILL
2 X 4 FRAME WITH BRICK VENEER



JAMBS
2 X 4 FRAME WITH BRICK VENEER



HEAD JAMB & SILL
8" CONCRETE BLOCK WALL
WITH BRICK VENEER



JAMBS
8" CONCRETE BLOCK WALL
WITH BRICK VENEER