

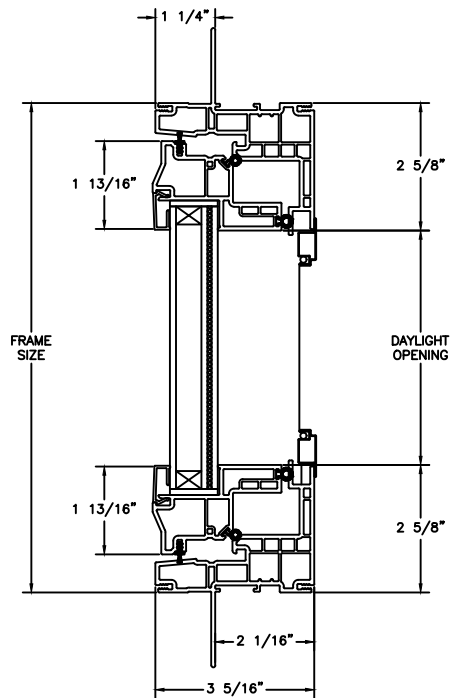
Next Dimension Series

IMPACT CASEMENT

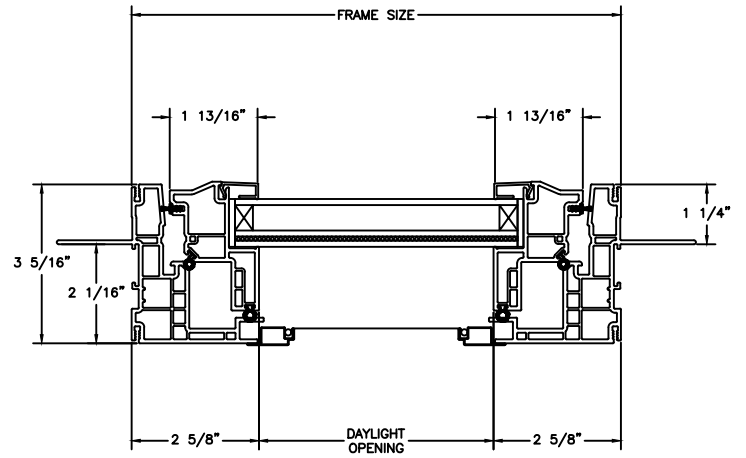
SECTION DETAILS: OPERATING / PICTURE

SCALE: 3" = 1'-0"

OPERATING

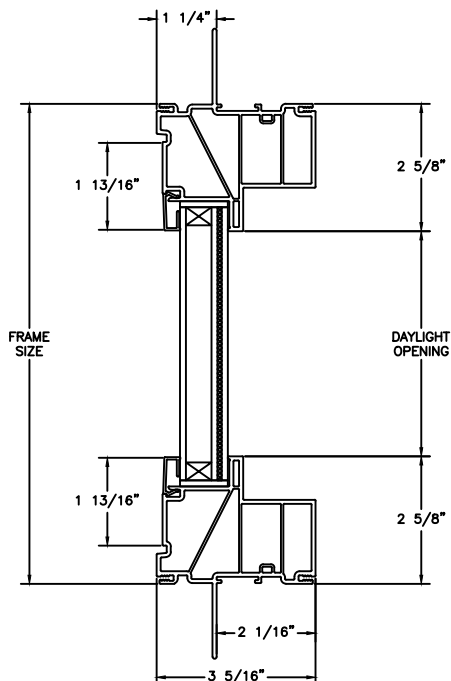


HEAD JAMB & SILL

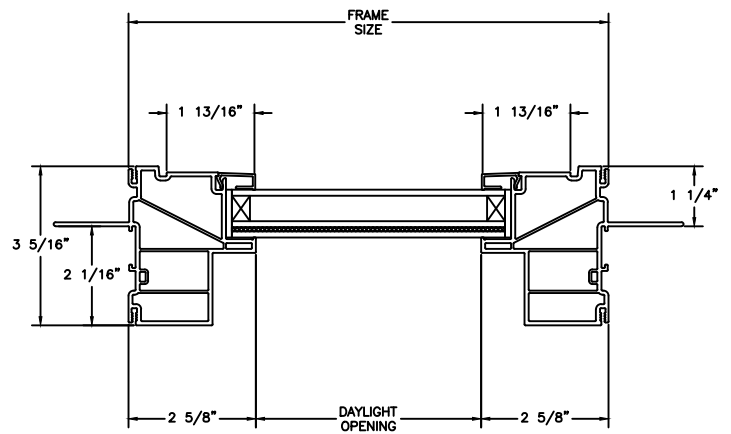


JAMBS

PICTURE



HEAD JAMB & SILL



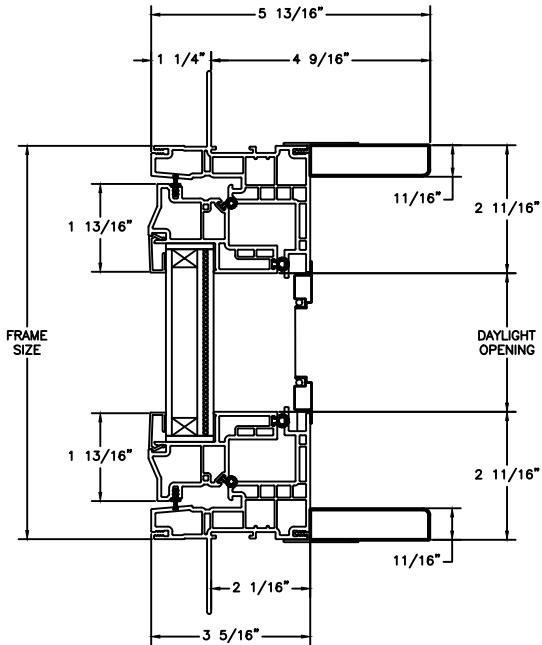
JAMBS

Next Dimension Series

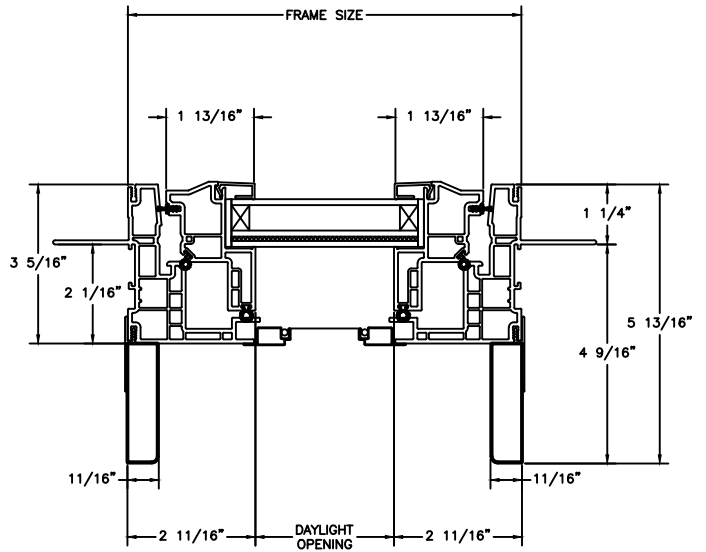
IMPACT CASEMENT

SECTION DETAILS: OPERATING / PICTURE (4 9/16" JAMB)
 SCALE: 3" = 1'-0"

OPERATING

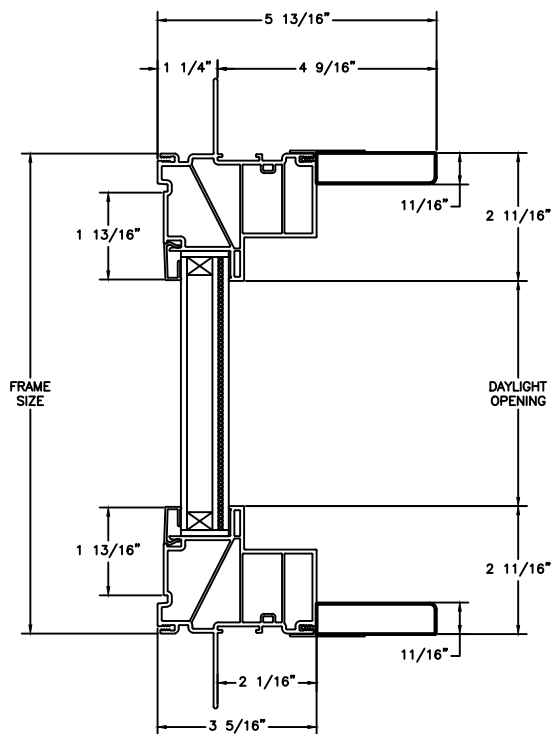


HEAD JAMB & SILL

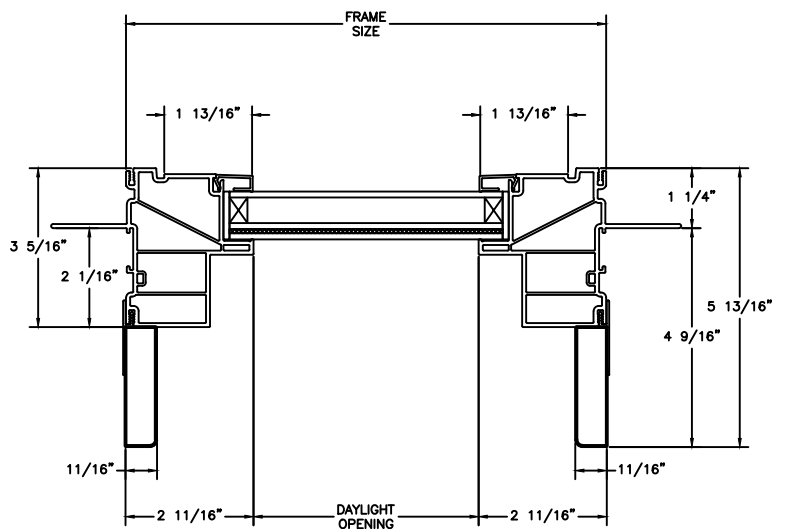


JAMBS

PICTURE



HEAD JAMB & SILL

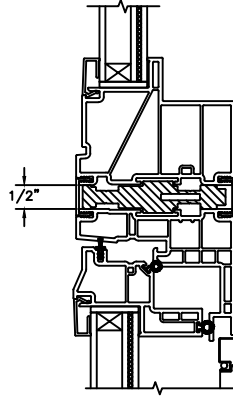


JAMBS

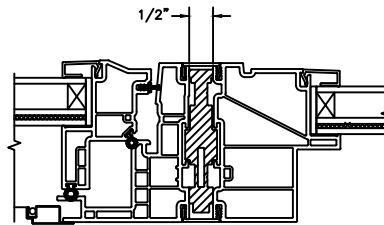
Next Dimension Series

IMPACT CASEMENT

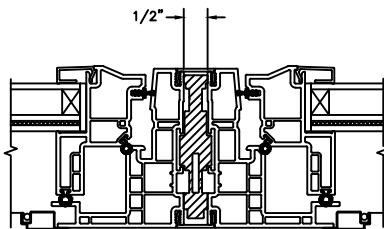
SECTION DETAILS: MULLIONS
SCALE: 3" = 1'-0"



HORIZONTAL MULLION
PICTURE/OPERATOR



VERTICAL MULLION
OPERATOR/PICTURE

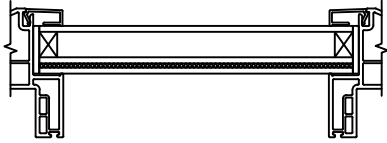


VERTICAL MULLION
OPERATOR/OPERATOR

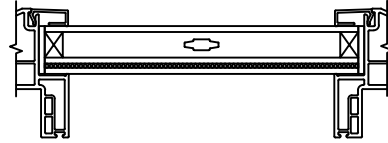
Next Dimension Series

IMPACT CASEMENT

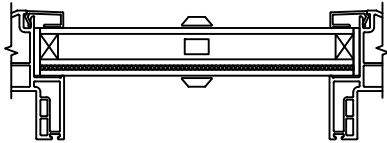
SECTION DETAILS : DIVIDED LITE OPTIONS
SCALE: 3" = 1'-0"



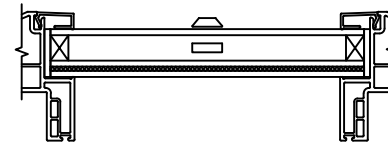
INSULATING GLASS



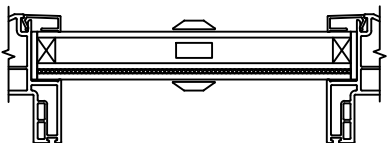
3/4" PROFILED INNERGRILLE



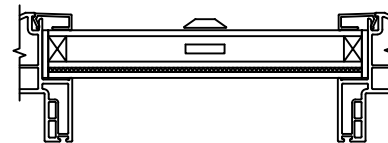
5/8" GRILLE BAR
WITH INNERBAR



5/8" GRILLE BAR (EXTERIOR ONLY)
WITH 5/8" FLAT INNERGRILLE



7/8" GRILLE BAR
WITH INNERBAR

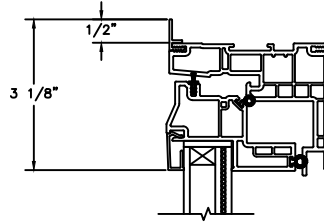


7/8" GRILLE BAR (EXTERIOR ONLY)
WITH 13/16" FLAT INNERGRILLE

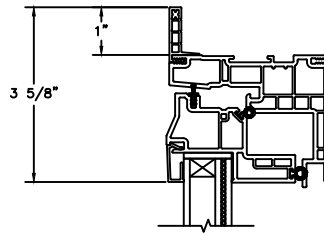
Next Dimension Series

IMPACT CASEMENT

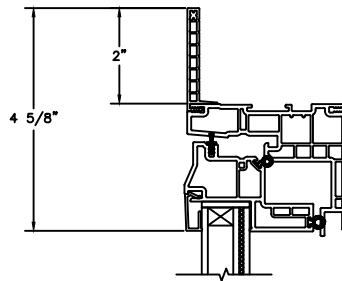
SECTION DETAILS : FLUSH FIN OPTIONS
SCALE: 3" = 1'-0"



1/2" FLANGE



1" FLANGE

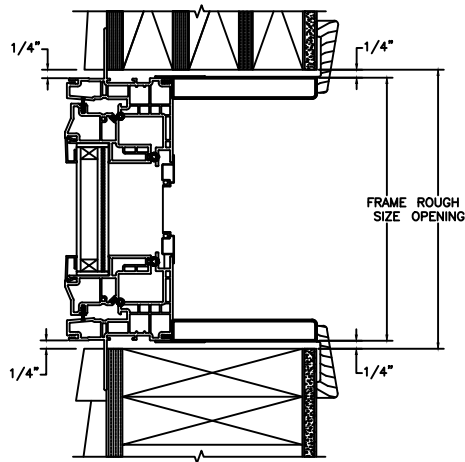


2" FLANGE

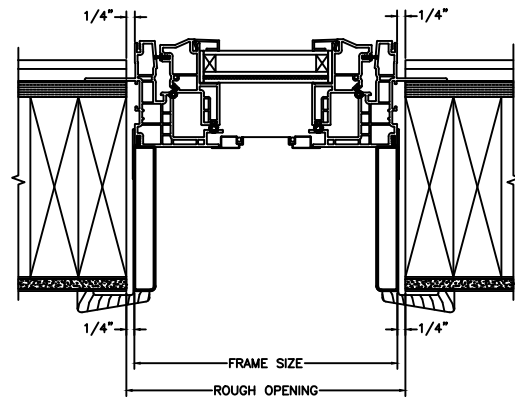
Next Dimension Series

IMPACT CASEMENT

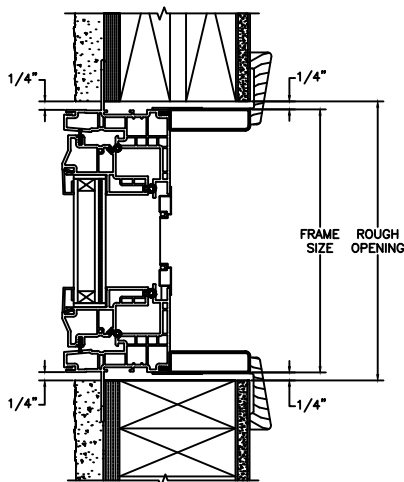
SECTION DETAILS : CONSTRUCTION
 SCALE: 2" = 1'-0"



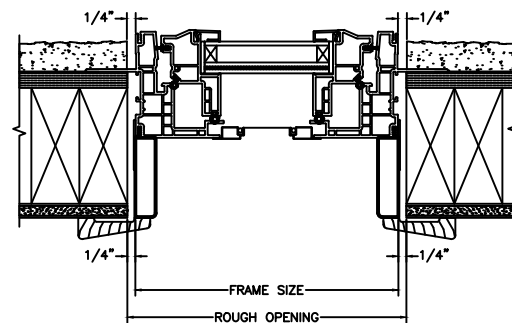
HEAD JAMB & SILL
 2 X 6 FRAME WITH SIDING



JAMBS
 2 X 6 FRAME WITH SIDING



HEAD JAMB & SILL
 2 X 4 FRAME WITH STUCCO



JAMBS
 2 X 4 FRAME WITH STUCCO

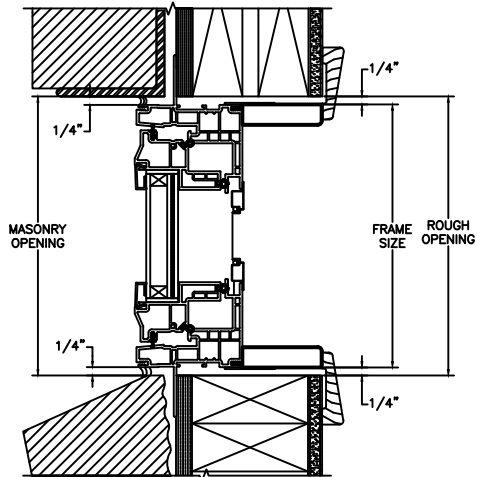
NOTE:
 THE ABOVE WALL SECTIONS REPRESENT TYPICAL WALL CONDITIONS, THESE DETAILS ARE NOT INTENDED AS INSTALLATIONS INSTRUCTIONS. PLEASE REFER TO THE INSTALLATION INSTRUCTIONS PROVIDED WITH THE PURCHASED UNITS.

Next Dimension Series

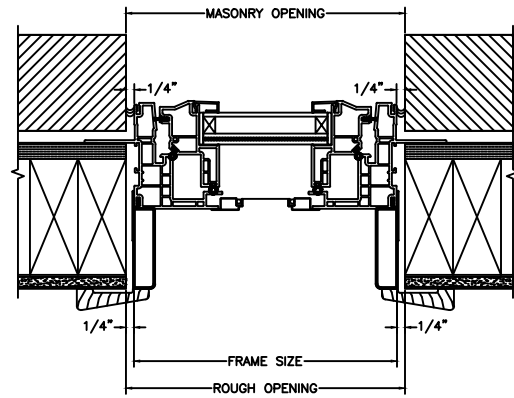
IMPACT CASEMENT

SECTION DETAILS : CONSTRUCTION

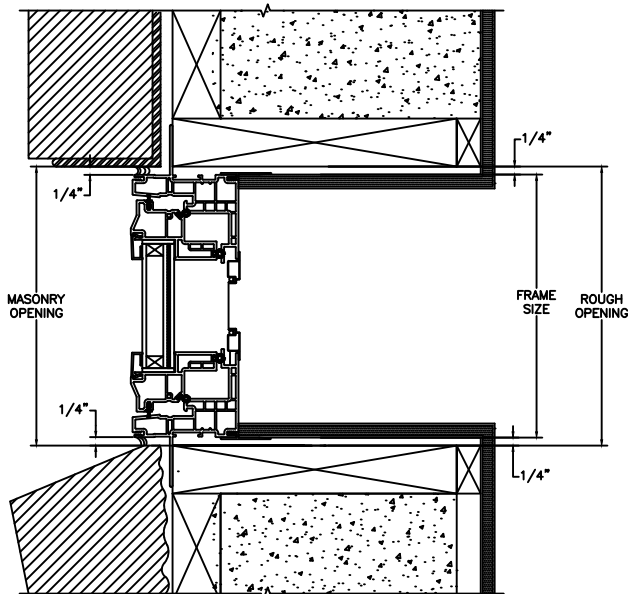
SCALE: 2" = 1'-0"



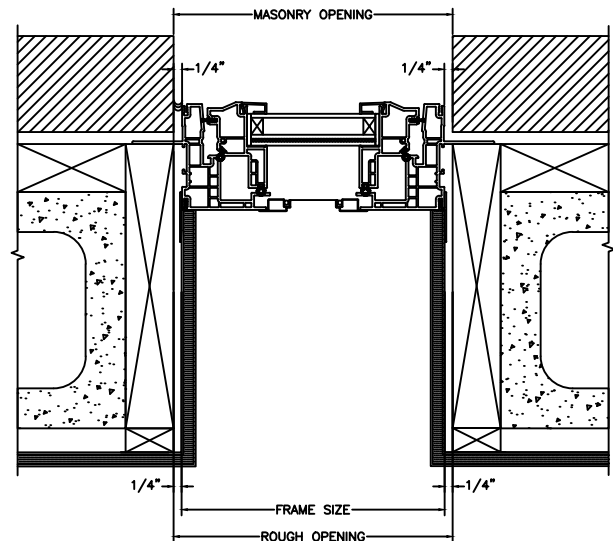
HEAD JAMB & SILL
2 X 4 FRAME WITH BRICK VENEER



JAMBS
2 X 4 FRAME WITH BRICK VENEER



HEAD JAMB & SILL
8" CONCRETE BLOCK WALL
WITH BRICK VENEER



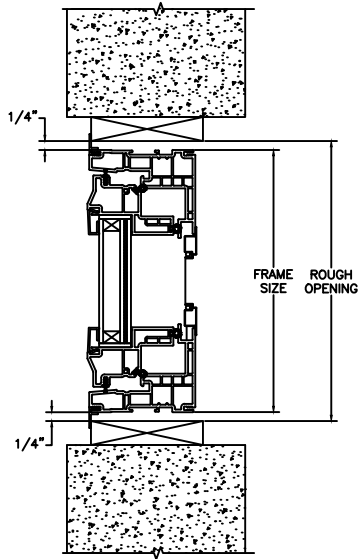
JAMBS
8" CONCRETE BLOCK WALL
WITH BRICK VENEER

NOTE:
THE ABOVE WALL SECTIONS REPRESENT TYPICAL WALL CONDITIONS, THESE DETAILS ARE NOT INTENDED AS INSTALLATIONS INSTRUCTIONS. PLEASE REFER TO THE INSTALLATION INSTRUCTIONS PROVIDED WITH THE PURCHASED UNITS.

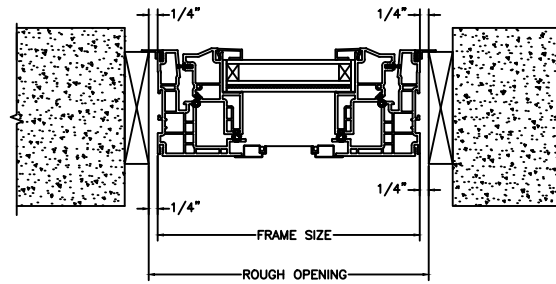
Next Dimension Series

IMPACT CASEMENT

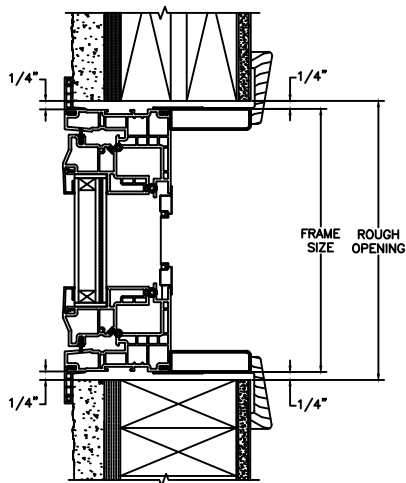
SECTION DETAILS : CONSTRUCTION (FLANGE OPTION)
 SCALE: 2" = 1'-0"



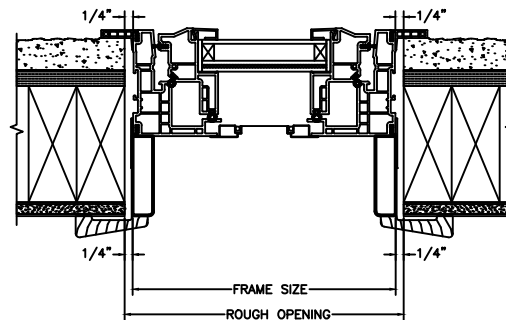
HEAD JAMB & SILL
 BLOCK WALL WITH 1 X 4
 1/2" FLANGE OPTION



JAMBS
 BLOCK WALL WITH 1 X 4
 1/2" FLANGE OPTION



HEAD JAMB & SILL
 2 X 4 FRAME WITH STUCCO
 1" OR 2" FLANGE OPTION



JAMBS
 2 X 4 FRAME WITH STUCCO
 1" OR 2" FLANGE OPTION

NOTE :
 THE ABOVE WALL SECTIONS REPRESENT TYPICAL WALL CONDITIONS, THESE DETAILS ARE NOT INTENDED AS INSTALLATIONS INSTRUCTIONS. PLEASE REFER TO THE INSTALLATION INSTRUCTIONS PROVIDED WITH THE PURCHASED UNITS.