



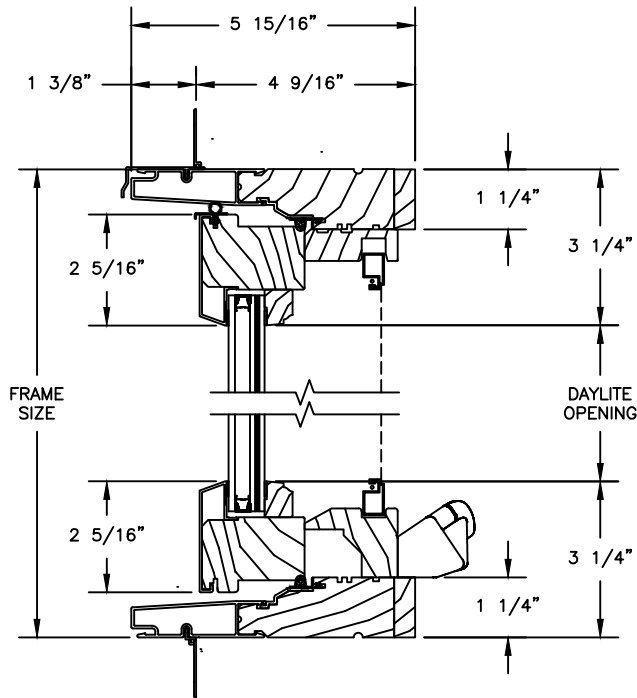
# Pinnacle Impact Select Series

## CLAD CASEMENT

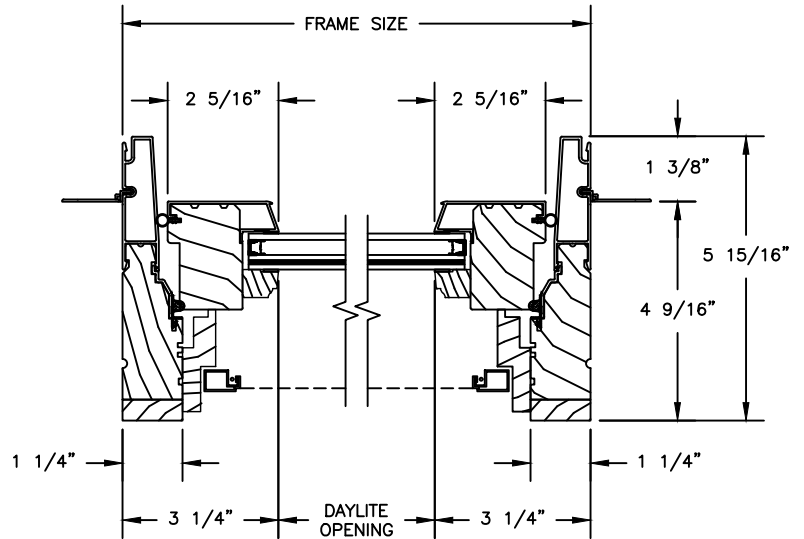
SECTION DETAILS : OPERATING

SCALE: 3" = 1'-0"

OPERATING

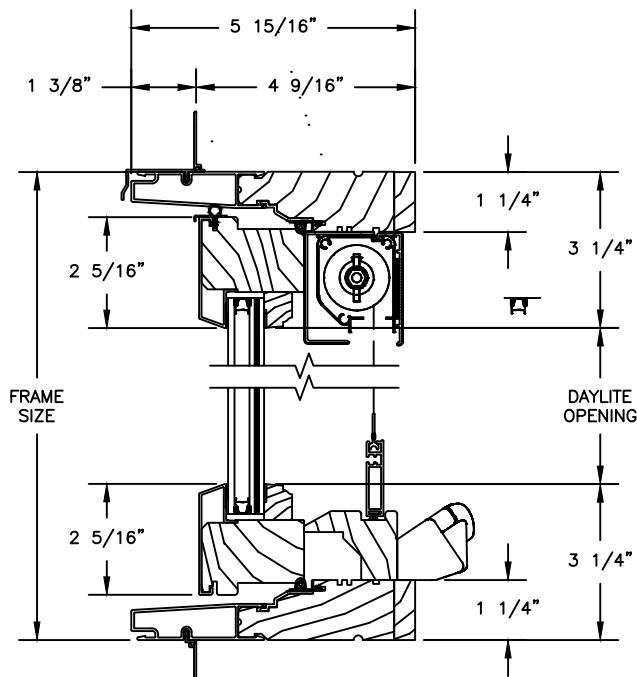


HEAD JAMB & SILL

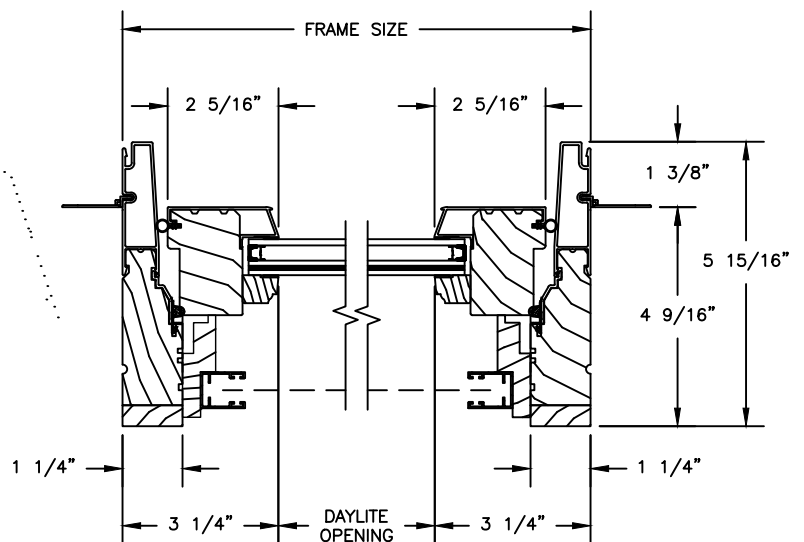


JAMBS

OPERATING WITH RETRACTABLE SCREEN



HEAD JAMB & SILL



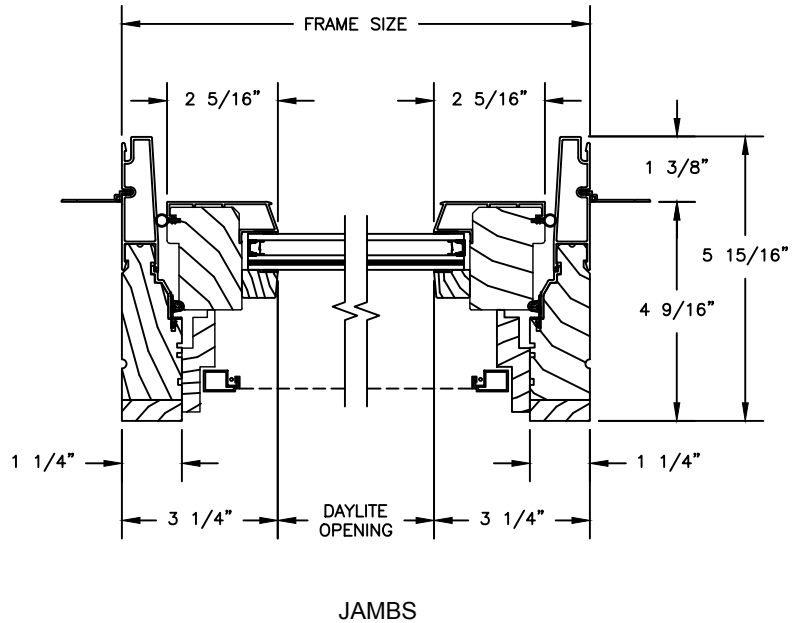
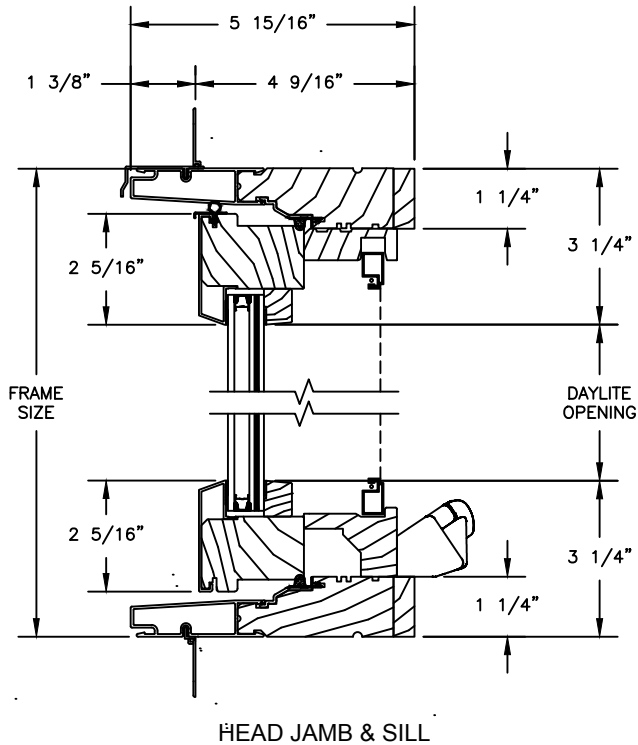
JAMBS

# Pinnacle Impact Select Series

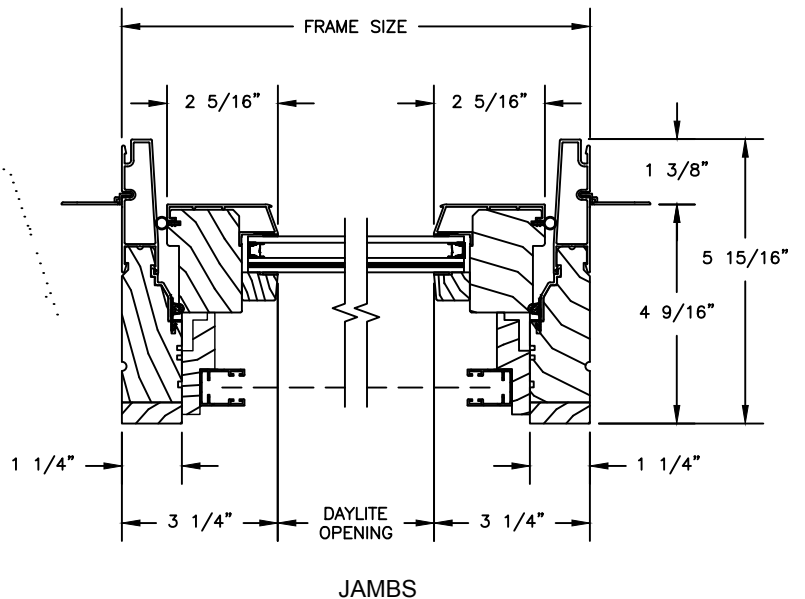
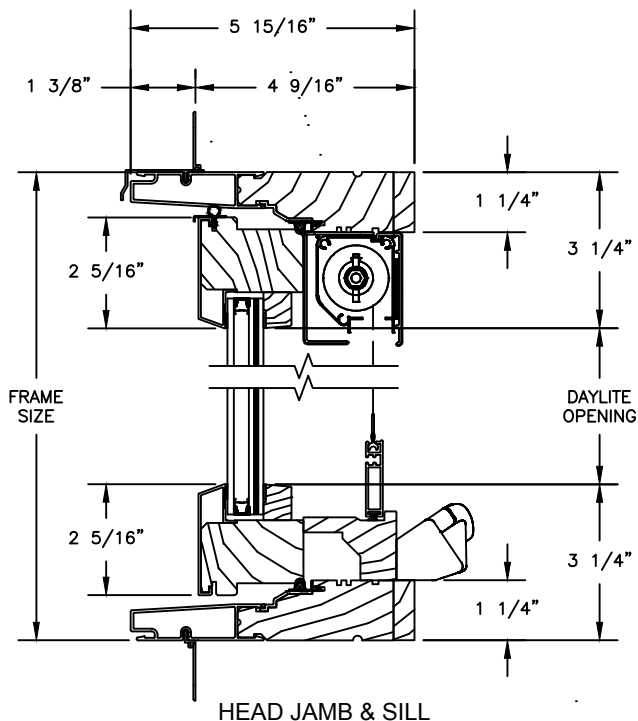
## CLAD CASEMENT

SECTION DETAILS : OPERATING WITH CONTEMPORARY STOPS  
 SCALE: 3" = 1'-0"

### OPERATING



### OPERATING WITH RETRACTABLE SCREEN



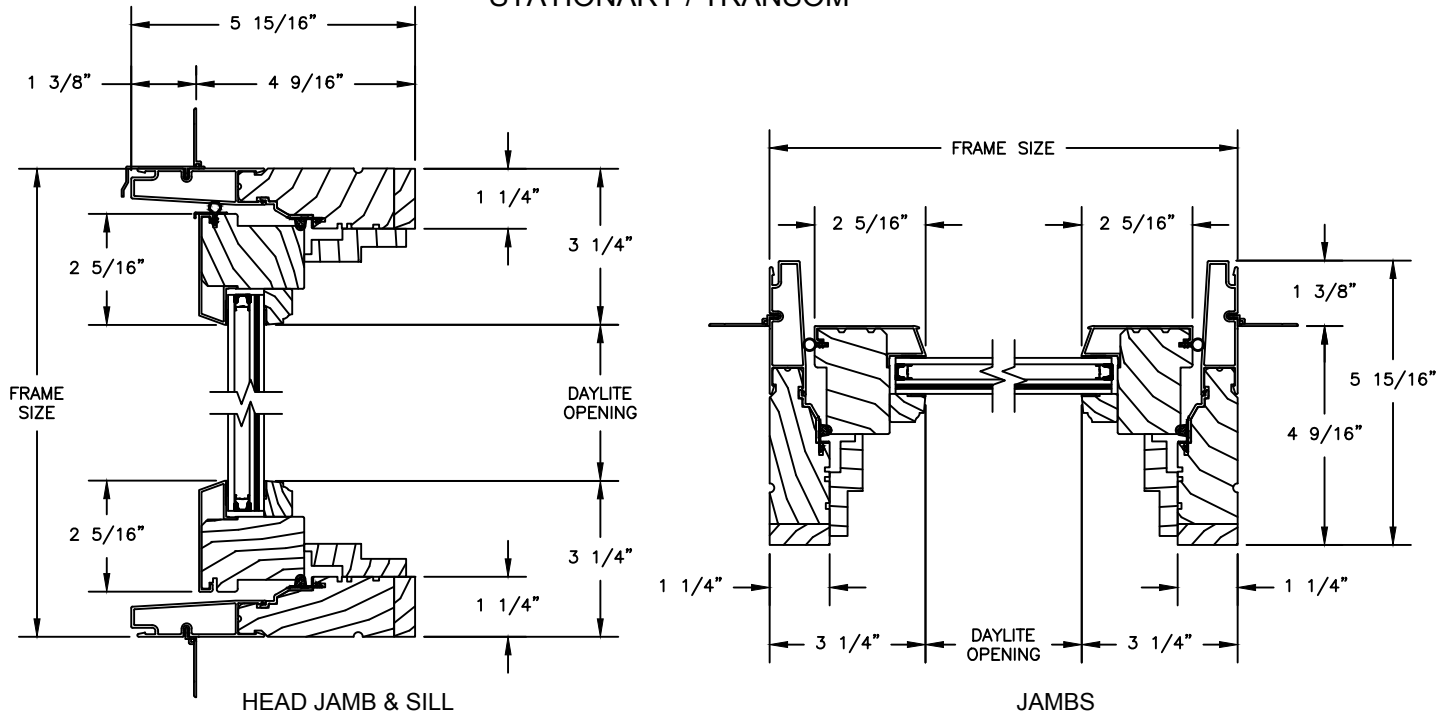
# Pinnacle Impact Select Series

## CLAD PUSH-OUT CASEMENT

SECTION DETAILS : STATIONARY / TRANSOM

SCALE: 3" = 1'-0"

STATIONARY / TRANSOM



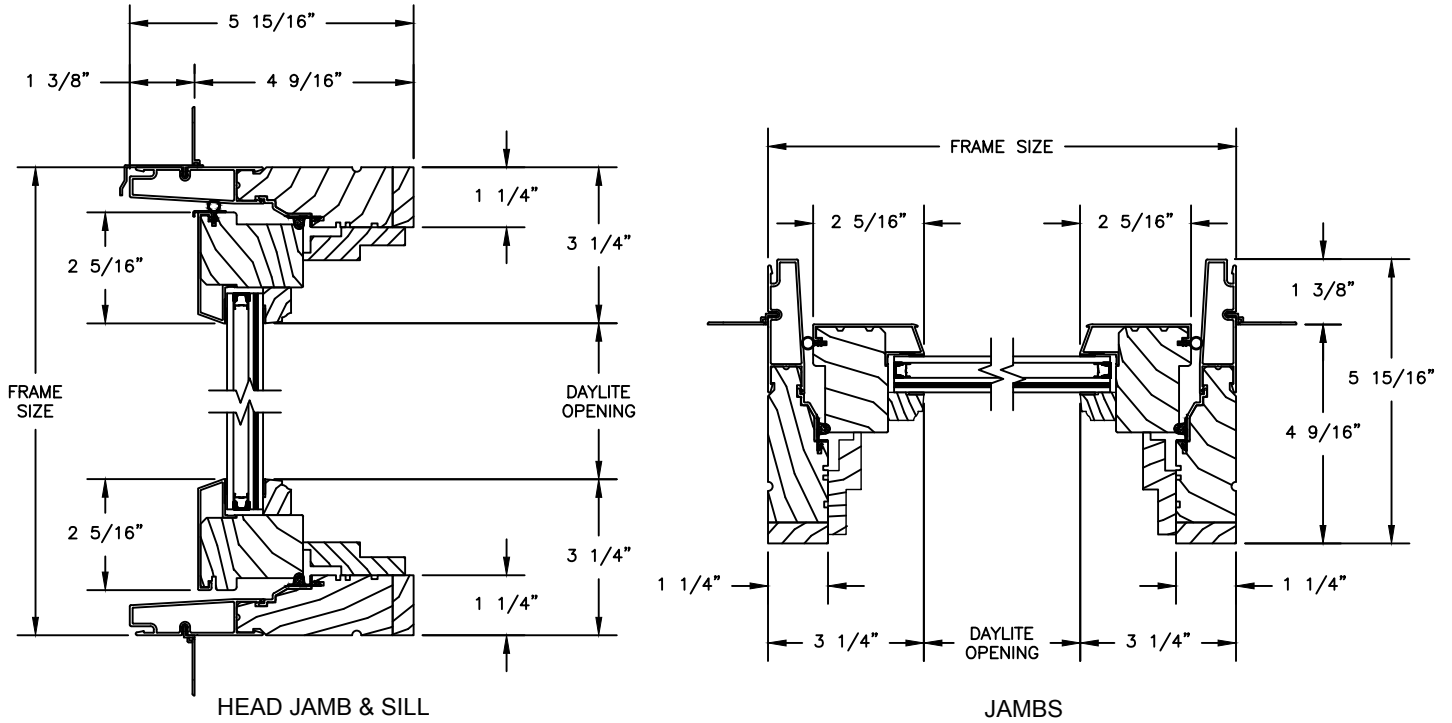
# Pinnacle Impact Select Series

## CLAD CASEMENT

SECTION DETAILS : STATIONARY & PICTURE/TRANSOM

SCALE: 3" = 1'-0"

### STATIONARY / TRANSOM



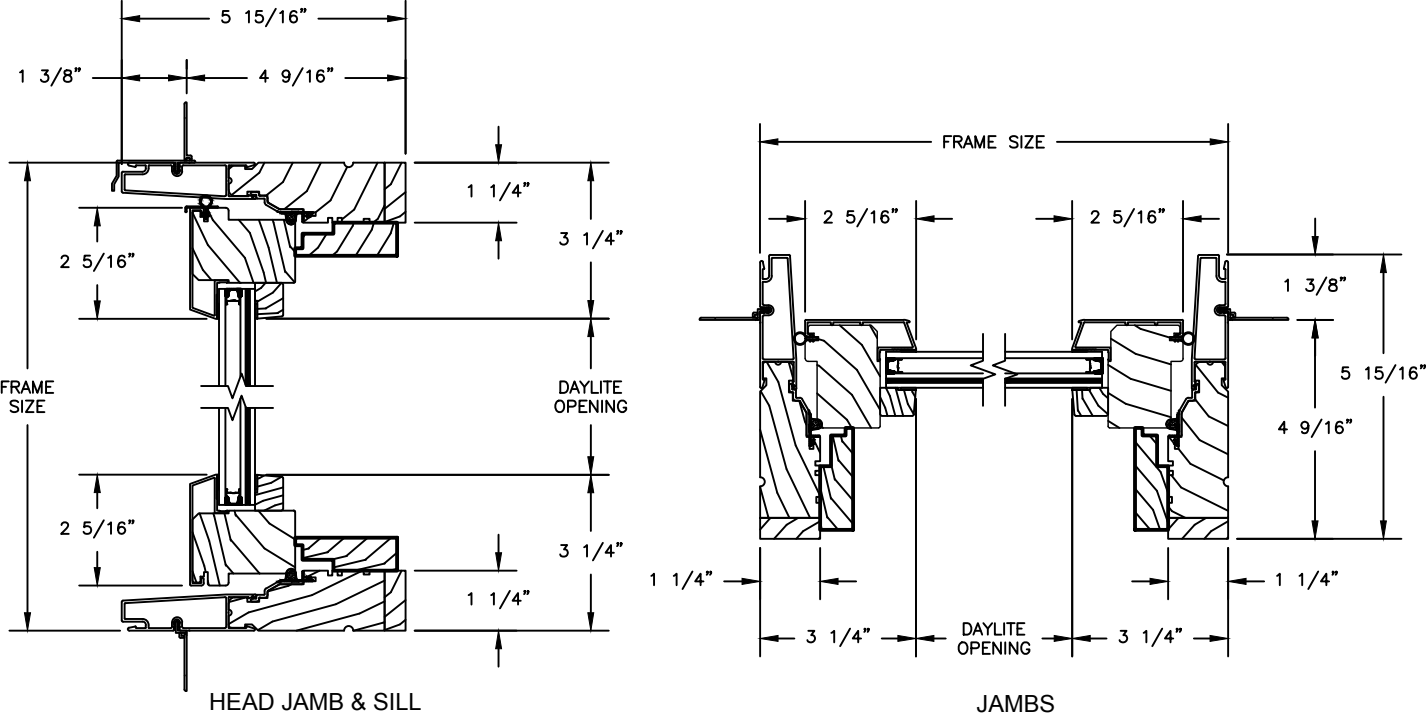
# Pinnacle Impact Select Series

## CLAD CASEMENT

SECTION DETAILS : STATIONARY / TRANSOM WITH CONTEMPORARY STOPS

SCALE: 3" = 1'-0"

### STATIONARY

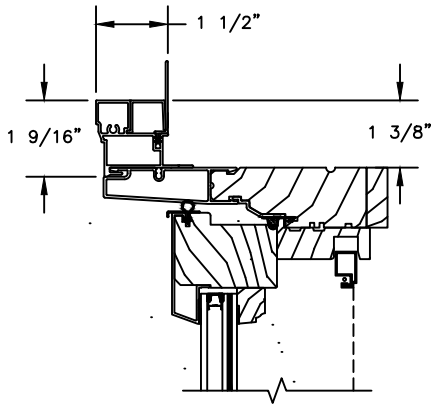


# Pinnacle Impact Select Series

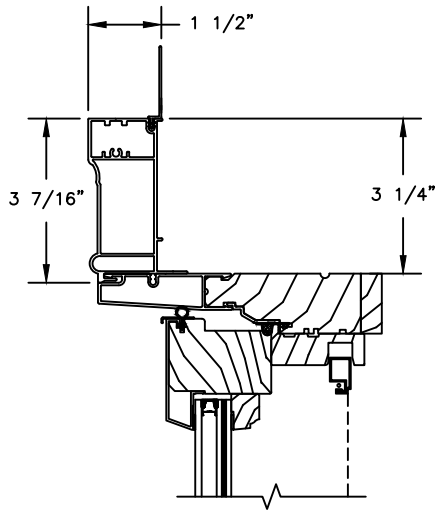
## CLAD CASEMENT

SECTION DETAILS : CASING OPTIONS

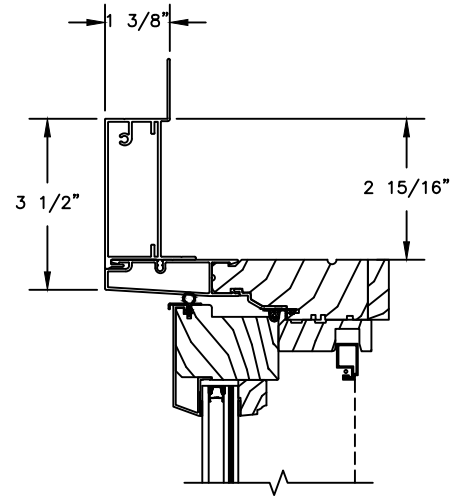
SCALE: 3" = 1'-0"



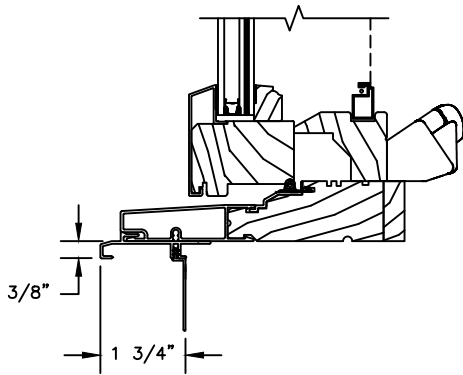
HEAD JAMB WITH  
CLAD BRICKMOULD CASING



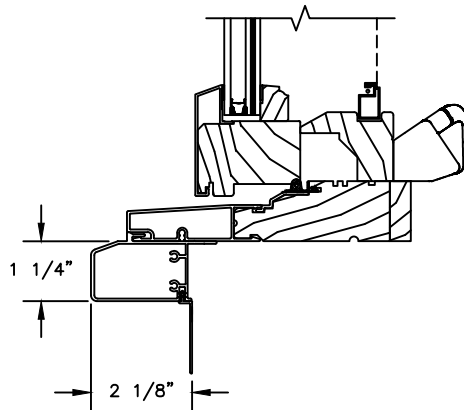
HEAD JAMB WITH  
CLAD WILLIAMSBURG CASING



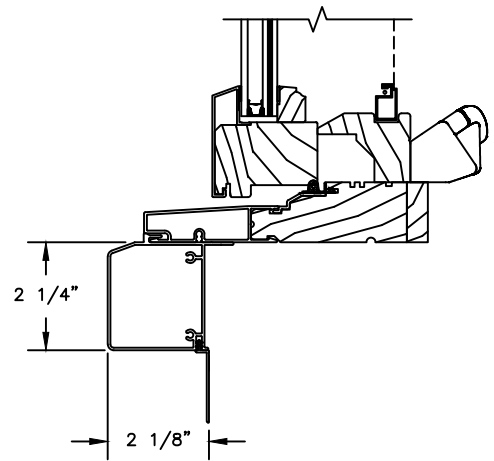
HEAD JAMB WITH  
3 1/2" CLAD FLAT CASING



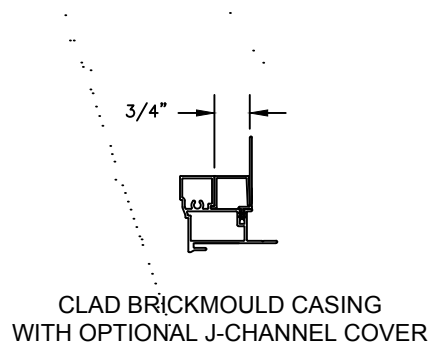
SILL WITH  
3/8" CLAD SUBSILL



SILL WITH  
1 1/4" CLAD SUBSILL



SILL WITH  
2 1/4" CLAD SUBSILL



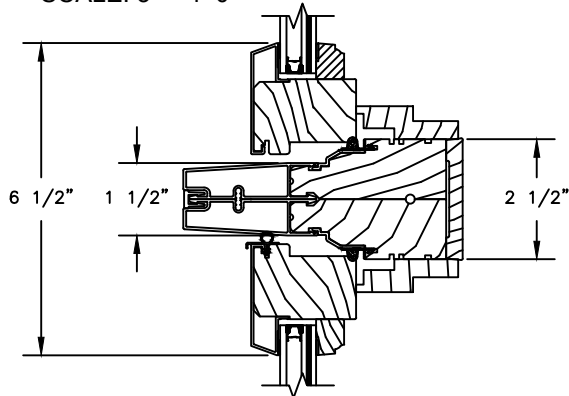
CLAD BRICKMOULD CASING  
WITH OPTIONAL J-CHANNEL COVER

# Pinnacle Impact Select Series

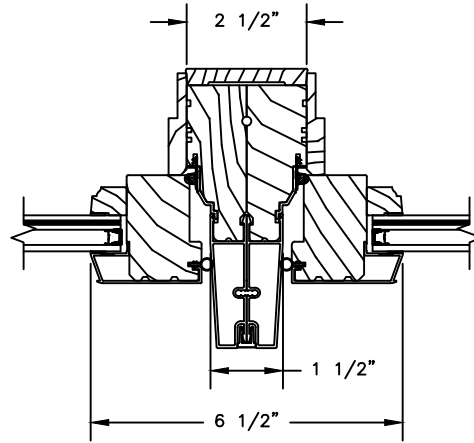
## CLAD PUSH-OUT CASEMENT

SECTION DETAILS : MULLIONS

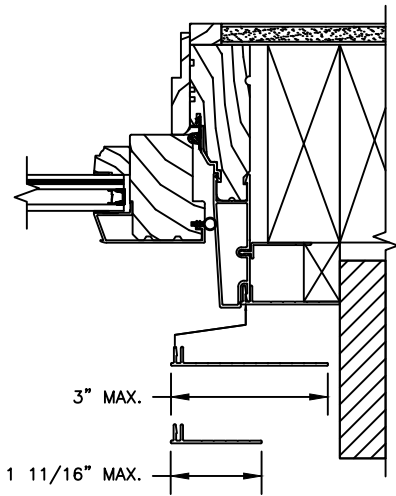
SCALE: 3" = 1'-0"



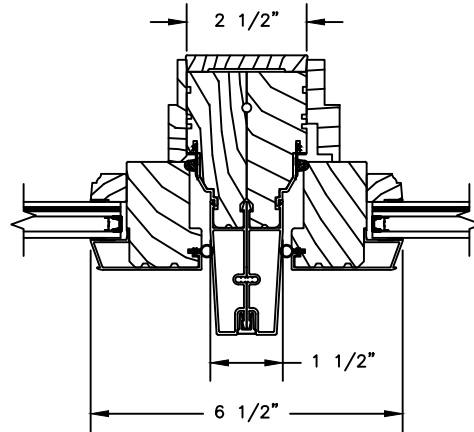
HORIZONTAL MULLION  
TRANSOM/OPERATOR



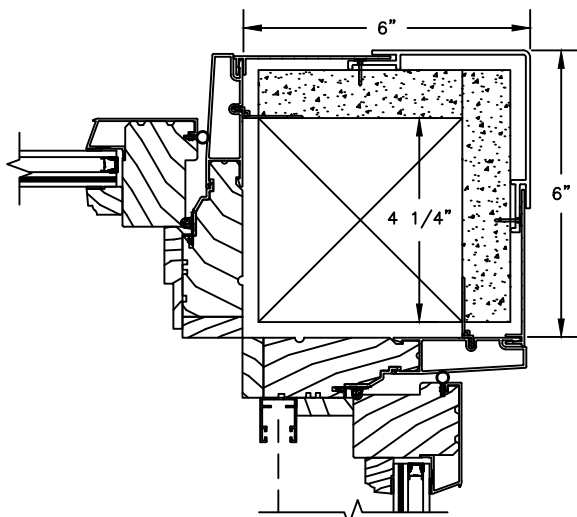
VERTICAL MULLION  
OPERATOR/OPERATOR



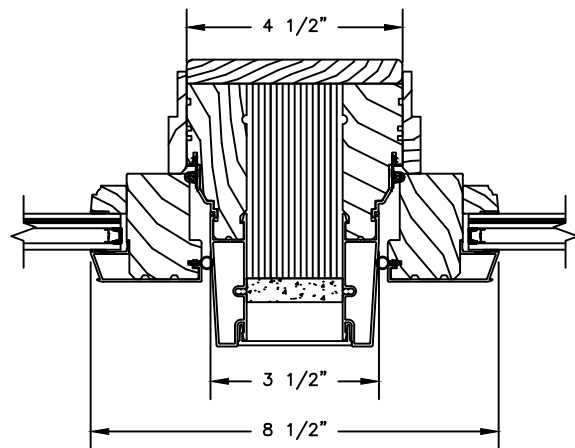
FRAME EXPANDER OPTIONS



VERTICAL MULLION  
OPERATOR/STATIONARY



90° MULLION  
PUSH OUT/PUSH OUT W/ RETRACTABLE SCREEN  
(ONLY USED WITH 4 9/16" JAMB & 3 1/4" FRAME EXPANDER)



VERTICAL MULLION WITH  
2" SPREAD MULL  
ADDITIONAL WIDTHS INCLUDE:  
1", 2", 2 1/2", 3", & 4"

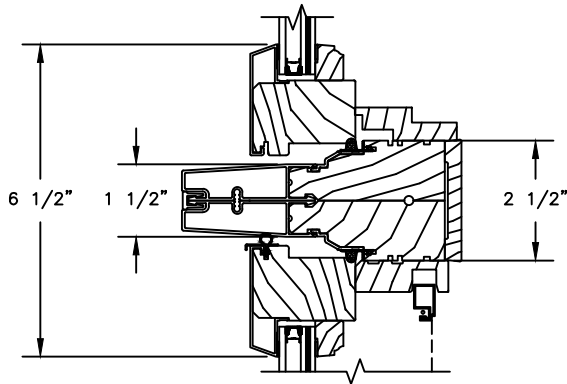


# Pinnacle Impact Select Series

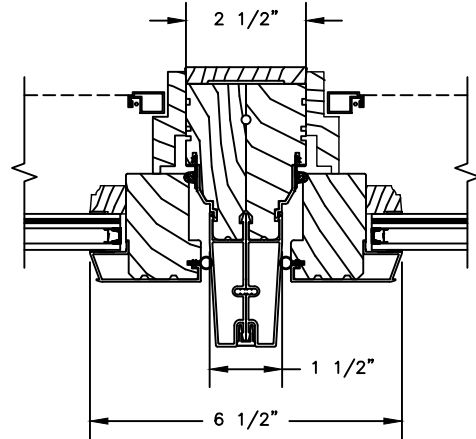
## CLAD CASEMENT

SECTION DETAILS : MULLIONS

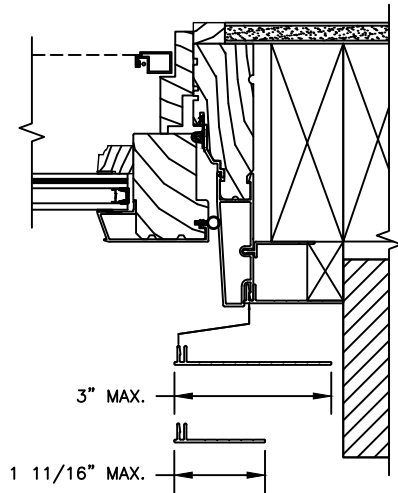
SCALE: 3" = 1'-0"



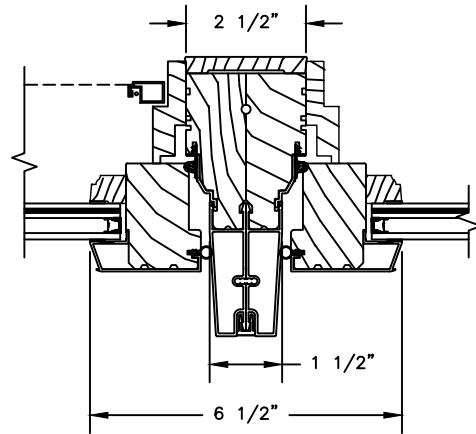
HORIZONTAL MULLION  
STATIONARY/OPERATOR



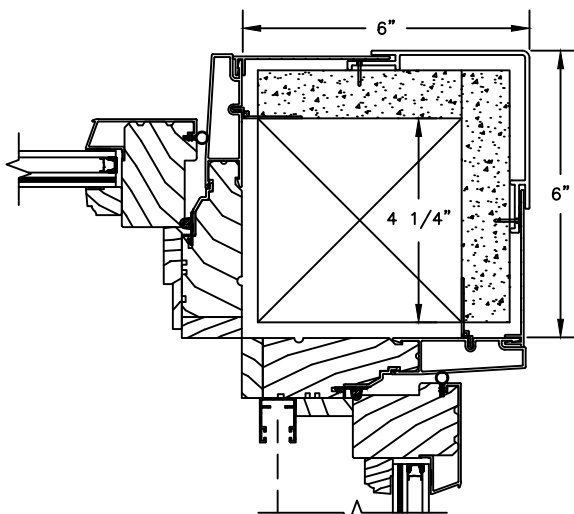
VERTICAL MULLION  
OPERATOR/OPERATOR



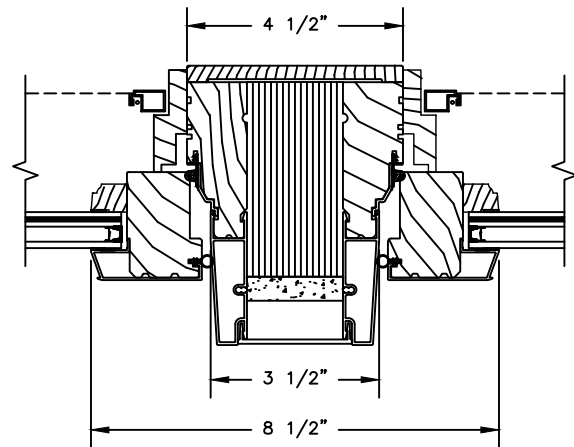
FRAME EXPANDER OPTIONS



VERTICAL MULLION  
OPERATOR/STATIONARY



90° MULLION  
PUSH OUT/PUSH OUT W/ RETRACTABLE SCREEN  
(ONLY USED WITH 4 9/16" JAMB & 3 1/4" FRAME EXPANDER)



VERTICAL MULLION WITH  
2" SPREAD MULL  
ADDITIONAL WIDTHS INCLUDE:  
1", 2", 2 1/2", 3", & 4"

NOTE:  
FOR INFORMATION ON STRUCTURAL MULLIONS REFER TO  
THE PRODUCT PERFORMANCE AND INFORMATION SECTION.

# Pinnacle Impact Select Series

## CLAD PUSH-OUT CASEMENT

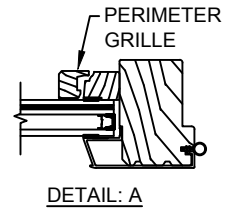
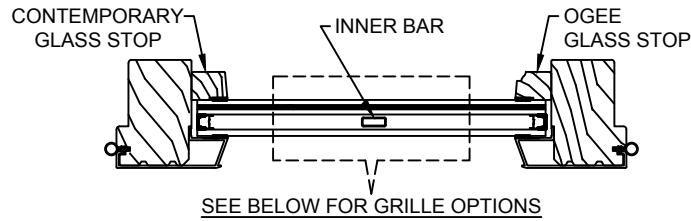
SECTION DETAILS : GLASS STOP & DIVIDED LITE OPTIONS

SCALE: 3" = 1'-0"

### AVAILABLE STYLES

-  - PUTTY
-  - TALL PUTTY\*
-  - OGEE
-  - CONTEMPORARY
-  - TALL CONTEMPORARY\*

\*CLAD EXTERIOR BAR ONLY



	5/8" WDL WITH INNER BAR	7/8" WDL WITH INNERBAR	1 1/4" WDL WITH INNERBAR	2" WDL WITH INNERBAR
STANDARD INSULATING GLASS				
13/16" INNERGRILLE				
3/4" PROFILED INNERGRILLE				
1" PROFILED INNERGRILLE				
7/8" STICK & PERIMETER GRILLE				
1 1/4" STICK & PERIMETER GRILLE				

NOTE:

\* ALL WDL OPTIONS CAN BE ORDERED WITH OR WITHOUT INNER BAR

\* PERIMETER GRILLES ONLY AVAILABLE IN THE 7/8" AND 1 1/4" OGEE STYLE GLASS STOP (SEE DETAIL: A)

# Pinnacle Impact Select Series

## CLAD PUSH-OUT CASEMENT

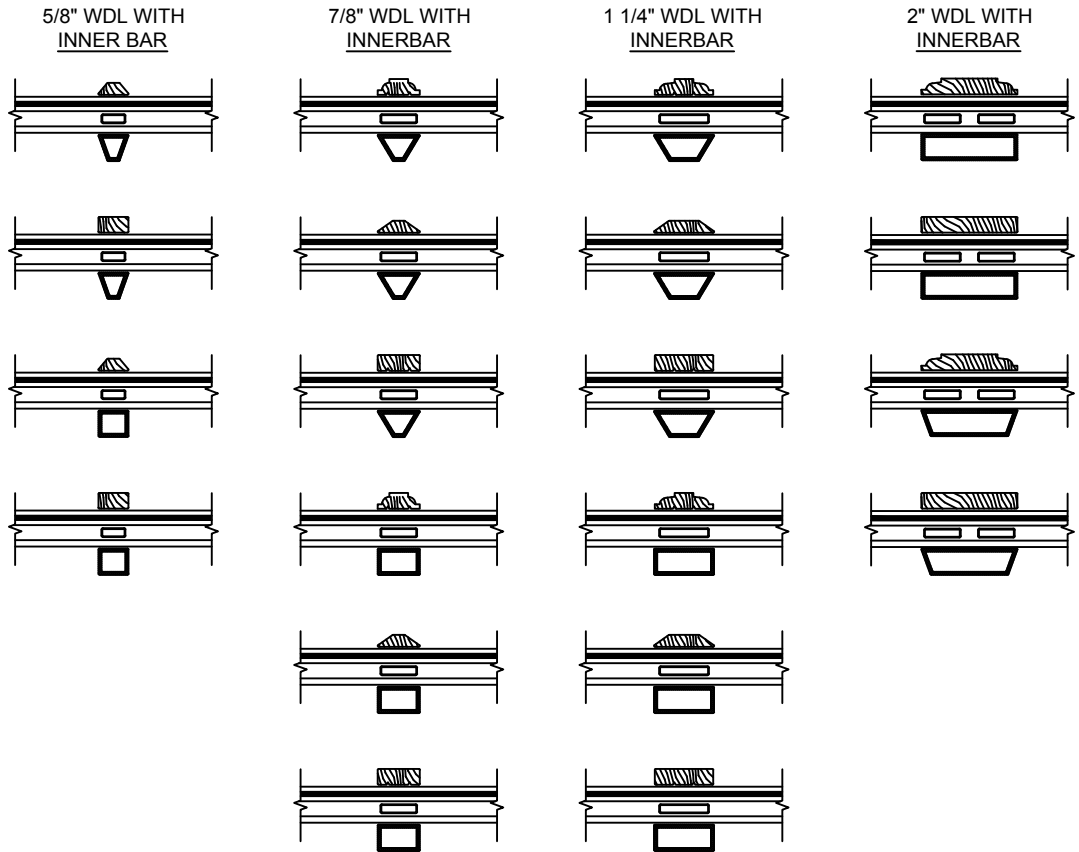
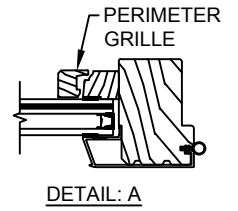
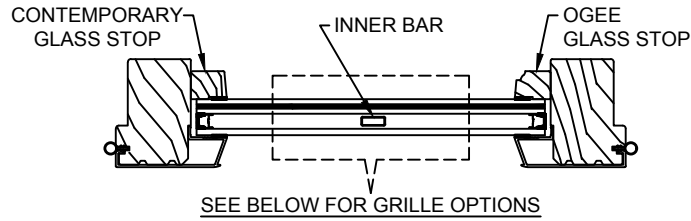
SECTION DETAILS : GLASS STOP & DIVIDED LITE OPTIONS

SCALE: 3" = 1'-0"

AVAILABLE STYLES

-  - PUTTY
-  - TALL PUTTY\*
-  - OGEE
-  - CONTEMPORARY
-  - TALL CONTEMPORARY\*

\*CLAD EXTERIOR BAR ONLY



NOTE:

\* ALL WDL OPTIONS CAN BE ORDERED WITH OR WITHOUT INNER BAR

\* PERIMETER GRILLES ONLY AVAILABLE IN THE 7/8" AND 1 1/4" OGEE STYLE GLASS STOP (SEE DETAIL: A)

# Pinnacle Impact Select Series

## CLAD CASEMENT

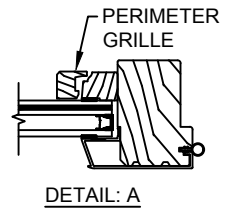
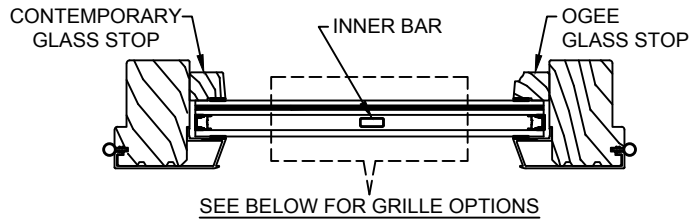
SECTION DETAILS : GLASS STOP & DIVIDED LITE OPTIONS

SCALE: 3" = 1'-0"

### AVAILABLE STYLES

-  - PUTTY
-  - TALL PUTTY\*
-  - OGEE
-  - CONTEMPORARY
-  - TALL CONTEMPORARY\*

\*CLAD EXTERIOR BAR ONLY



	5/8" WDL WITH INNER BAR	7/8" WDL WITH INNERBAR	1 1/4" WDL WITH INNERBAR	2" WDL WITH INNERBAR
STANDARD INSULATING GLASS				
13/16" INNERGRILLE				
3/4" PROFILED INNERGRILLE				
1" PROFILED INNERGRILLE				
7/8" STICK & PERIMETER GRILLE				
1 1/4" STICK & PERIMETER GRILLE				

**NOTE:**

\* ALL WDL OPTIONS CAN BE ORDERED WITH OR WITHOUT INNER BAR

\* PERIMETER GRILLES ONLY AVAILABLE IN THE 7/8" AND 1 1/4" OGEE STYLE GLASS STOP (SEE DETAIL: A)

# Pinnacle Impact Select Series

## CLAD CASEMENT

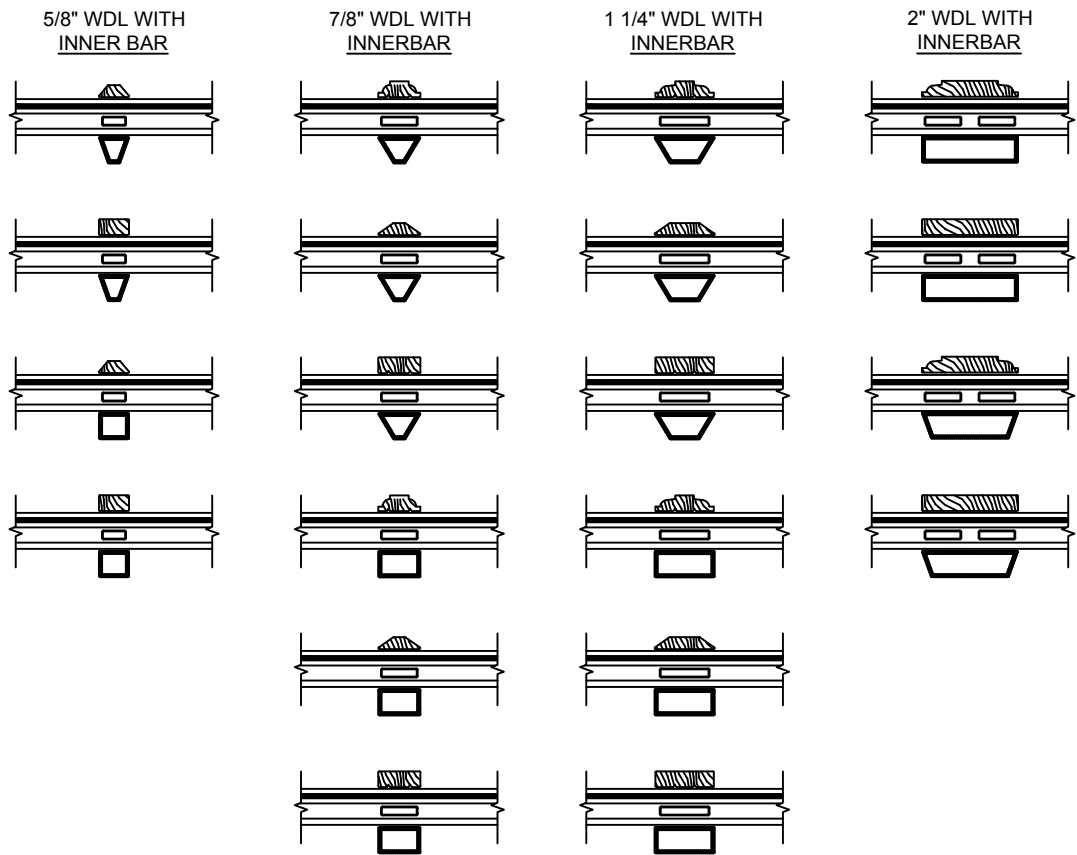
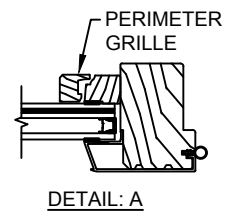
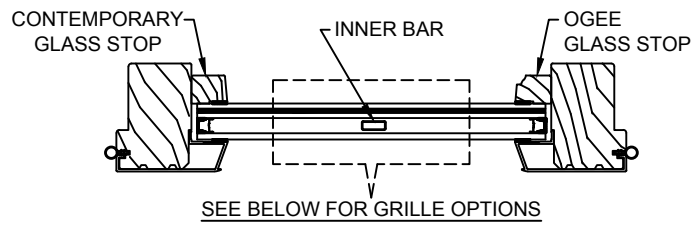
SECTION DETAILS : GLASS STOP & DIVIDED LITE OPTIONS

SCALE: 3" = 1'-0"

AVAILABLE STYLES

-  - PUTTY
-  - TALL PUTTY\*
-  - OGEE
-  - CONTEMPORARY
-  - TALL CONTEMPORARY\*

\*CLAD EXTERIOR BAR ONLY



NOTE:

\* ALL WDL OPTIONS CAN BE ORDERED WITH OR WITHOUT INNER BAR

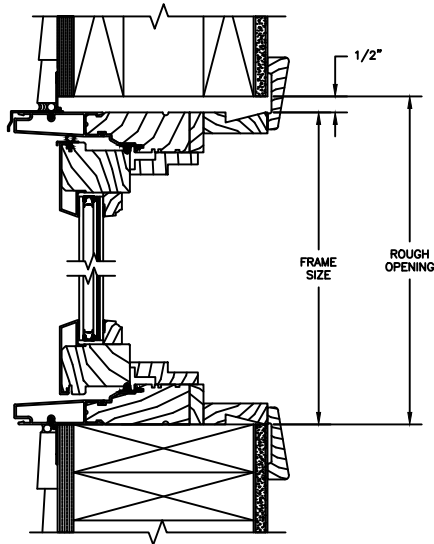
\* PERIMETER GRILLES ONLY AVAILABLE IN THE 7/8" AND 1 1/4" OGEE STYLE GLASS STOP (SEE DETAIL: A)

# Pinnacle Select Series

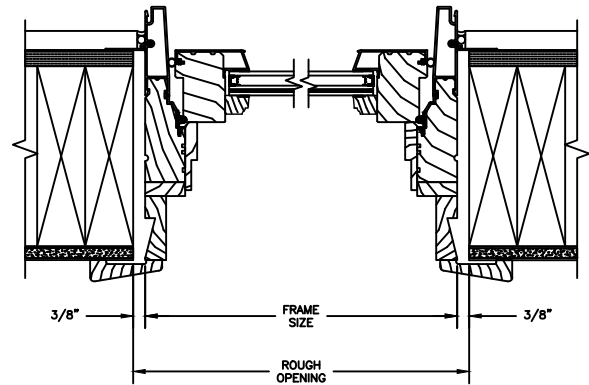
## CLAD PUSH-OUT CASEMENT

SECTION DETAILS : CONSTRUCTION

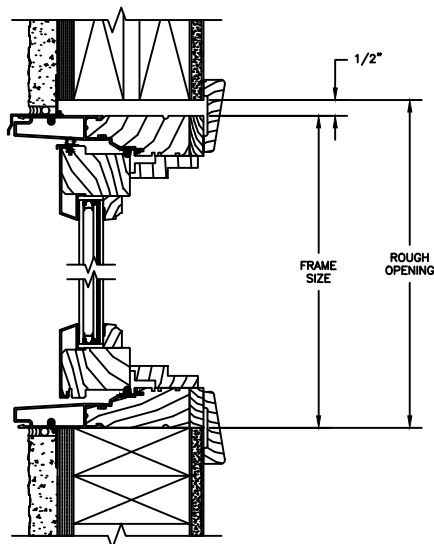
SCALE: 2" = 1'-0"



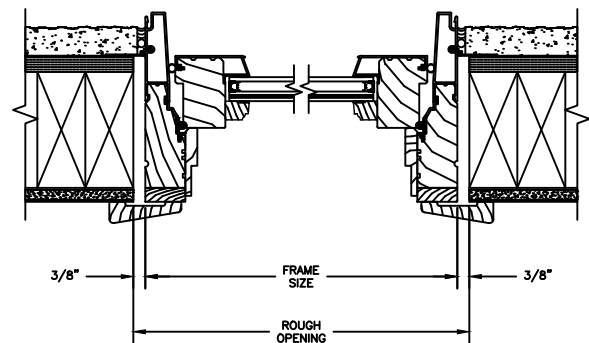
HEAD JAMB & SILL  
2 X 6 FRAME WITH SIDING



JAMBS  
2 X 6 FRAME WITH SIDING



HEAD JAMB & SILL  
2 X 4 FRAME WITH STUCCO



JAMBS  
2 X 4 FRAME WITH STUCCO

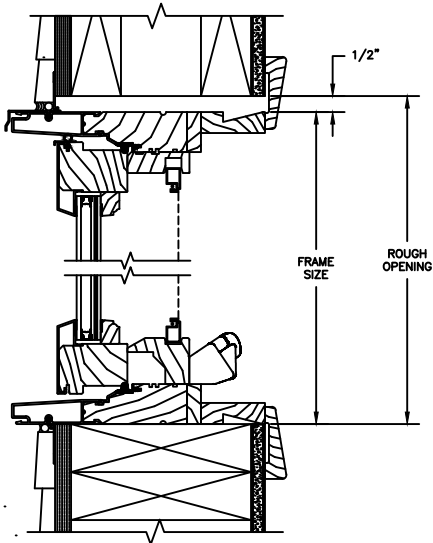
NOTE :  
THE ABOVE WALL SECTIONS REPRESENT TYPICAL WALL CONDITIONS, THESE DETAILS ARE NOT INTENDED AS INSTALLATIONS INSTRUCTIONS. PLEASE REFER TO THE INSTALLATION INSTRUCTIONS PROVIDED WITH THE PURCHASED UNITS.

# Pinnacle Select Series

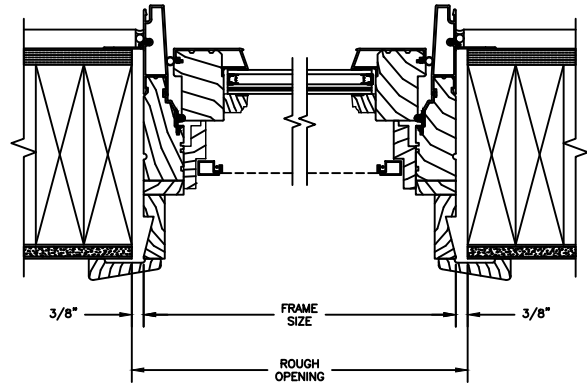
## CLAD CASEMENT

SECTION DETAILS : CONSTRUCTION

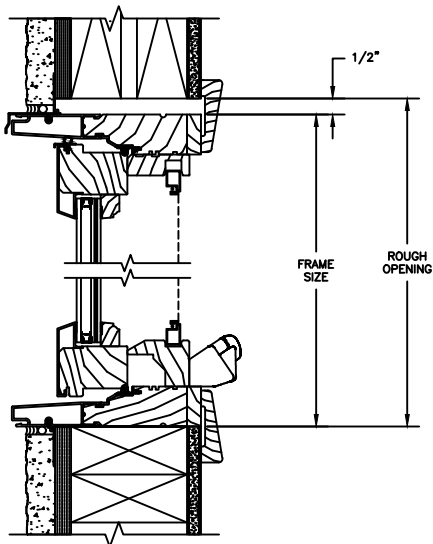
SCALE: 2" = 1'-0"



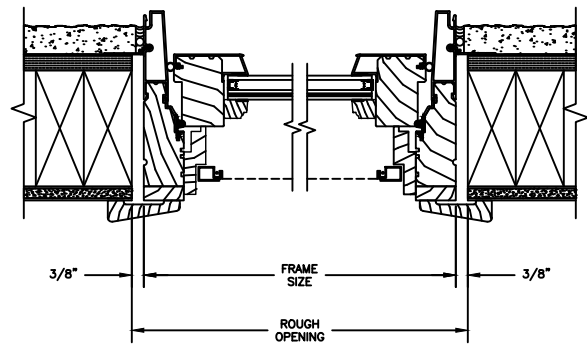
HEAD JAMB & SILL  
2 X 6 FRAME WITH SIDING



JAMBS  
2 X 6 FRAME WITH SIDING



HEAD JAMB & SILL  
2 X 4 FRAME WITH STUCCO



JAMBS  
2 X 4 FRAME WITH STUCCO

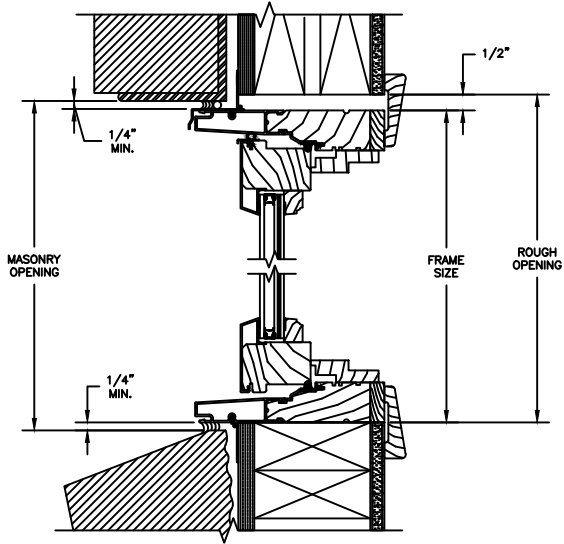
NOTE:  
THE ABOVE WALL SECTIONS REPRESENT TYPICAL WALL CONDITIONS, THESE DETAILS ARE NOT INTENDED AS INSTALLATIONS INSTRUCTIONS. PLEASE REFER TO THE INSTALLATION INSTRUCTIONS PROVIDED WITH THE PURCHASED UNITS.

# Pinnacle Select Series

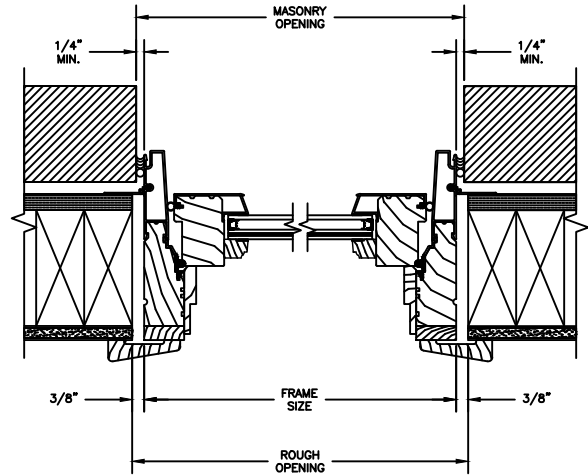
## CLAD PUSH-OUT CASEMENT

SECTION DETAILS : CONSTRUCTION

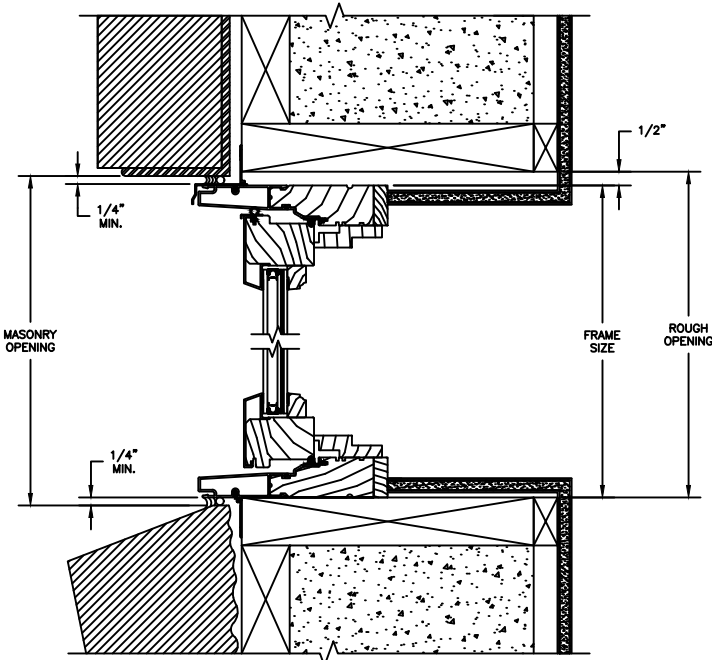
SCALE: 2" = 1'-0"



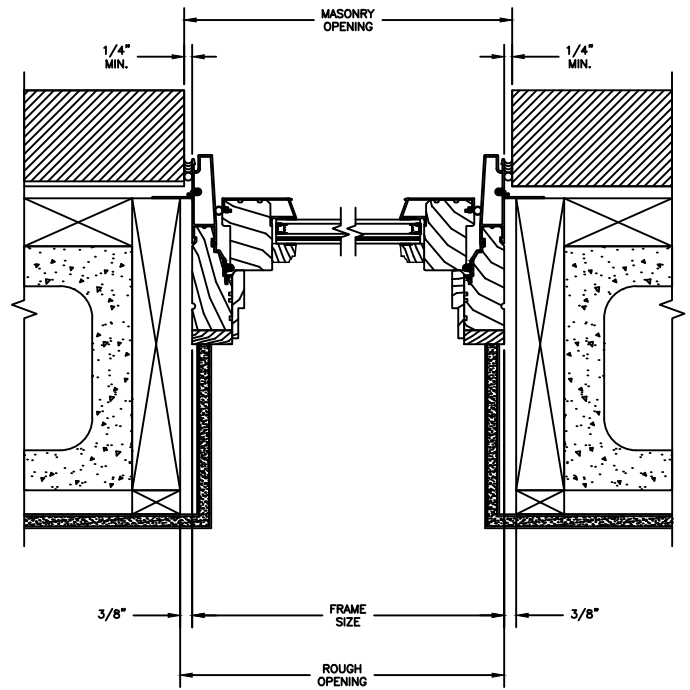
HEAD JAMB & SILL  
2 X 4 FRAME WITH BRICK VENEER



JAMBS  
2 X 4 FRAME WITH BRICK VENEER



HEAD JAMB & SILL  
8" CONCRETE BLOCK WALL  
WITH BRICK VENEER



JAMBS  
8" CONCRETE BLOCK WALL  
WITH BRICK VENEER

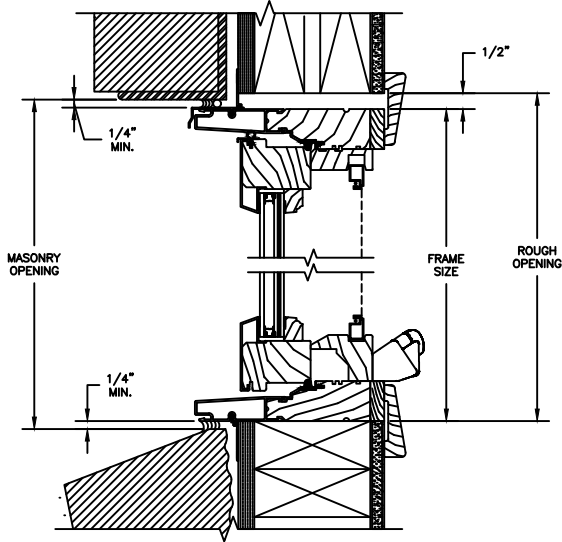


# Pinnacle Select Series

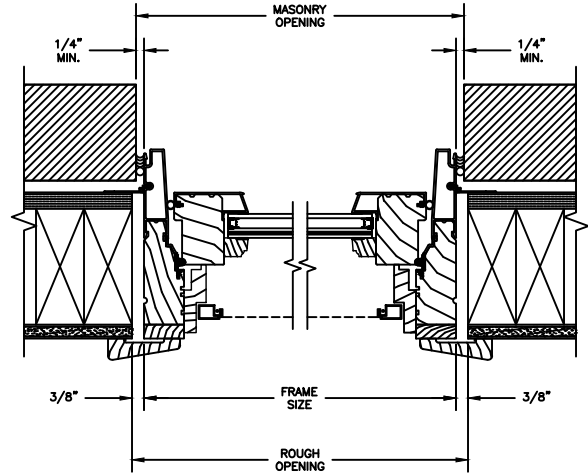
## CLAD CASEMENT

SECTION DETAILS : CONSTRUCTION

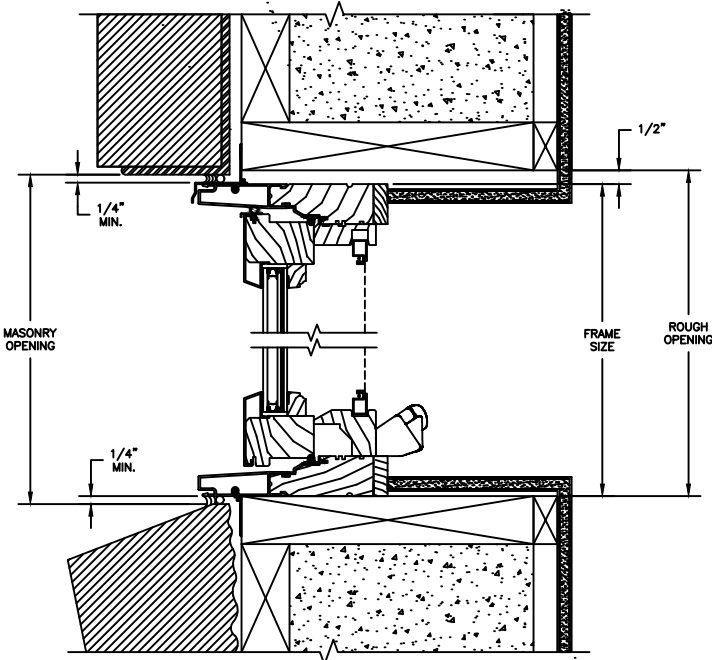
SCALE: 2" = 1'-0"



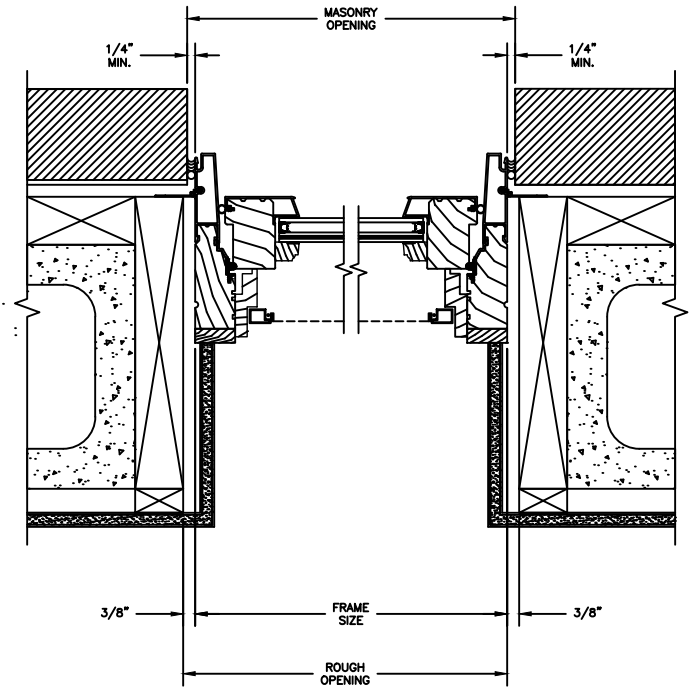
HEAD JAMB & SILL  
2 X 4 FRAME WITH BRICK VENEER



JAMBS  
2 X 4 FRAME WITH BRICK VENEER



HEAD JAMB & SILL  
8" CONCRETE BLOCK WALL  
WITH BRICK VENEER



JAMBS  
8" CONCRETE BLOCK WALL  
WITH BRICK VENEER