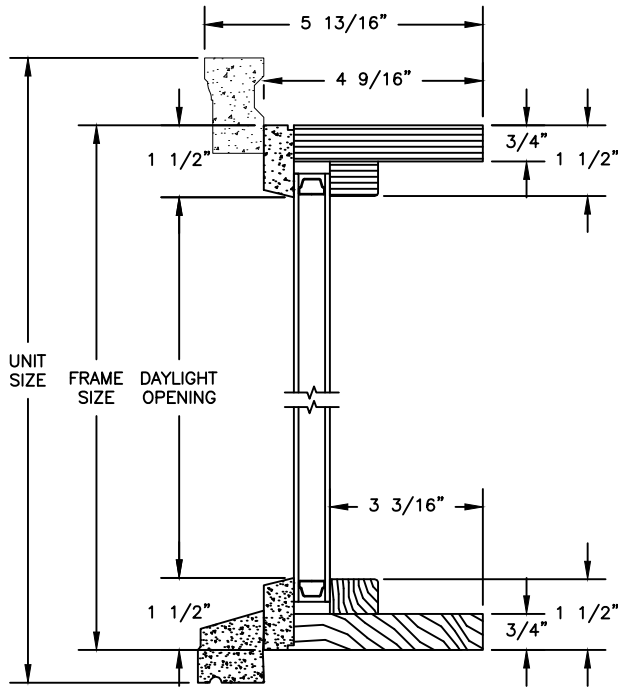


Pinnacle Series

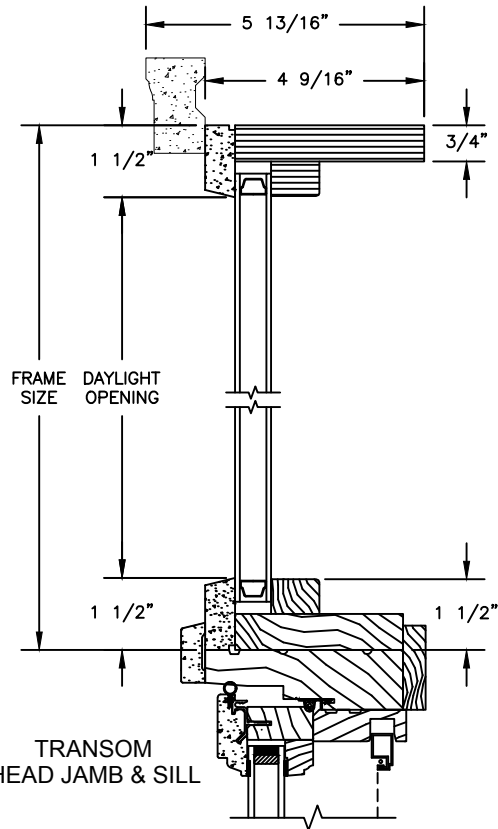
PRIMED RADIUS DIRECT GLAZE

SECTION DETAILS: HALF ROUND

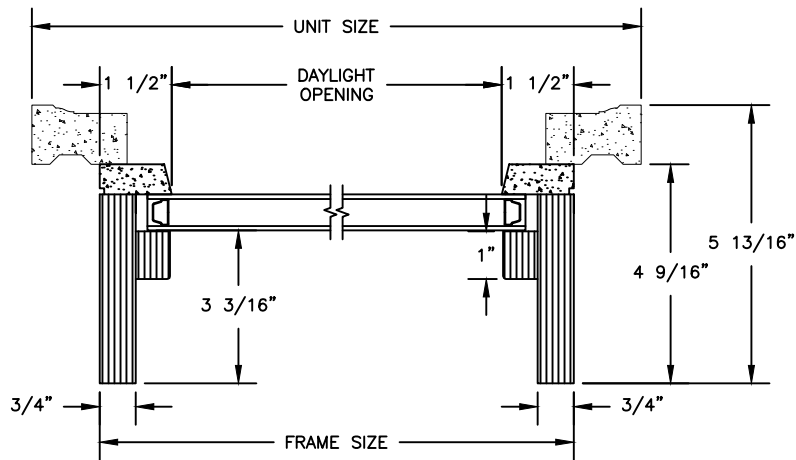
SCALE: 3" = 1'-0"



HEAD JAMB & SILL

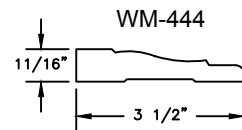
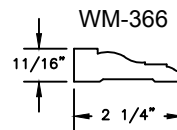
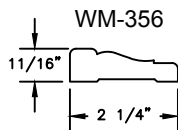
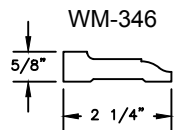
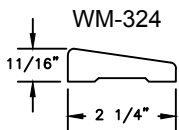


TRANSOM
HEAD JAMB & SILL



HALF ROUNDS, FULL ROUNDS & OVALS
JAMB

AVAILABLE INTERIOR TRIM PROFILES

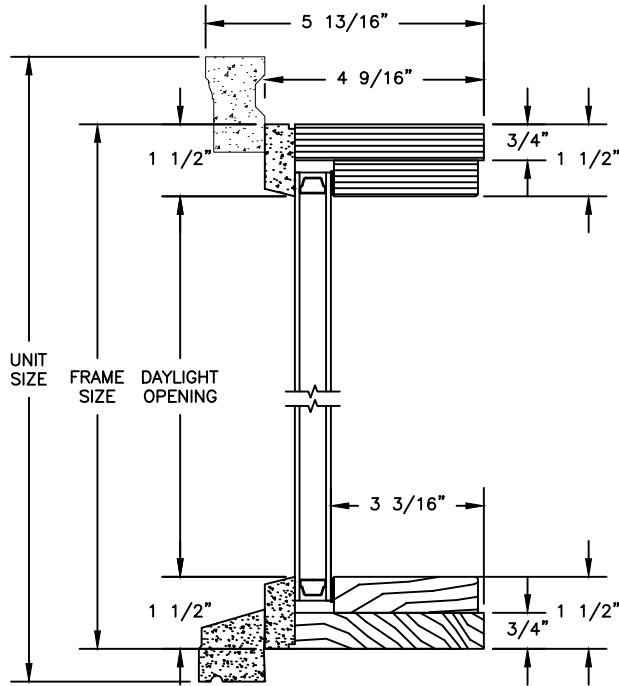


Pinnacle Series

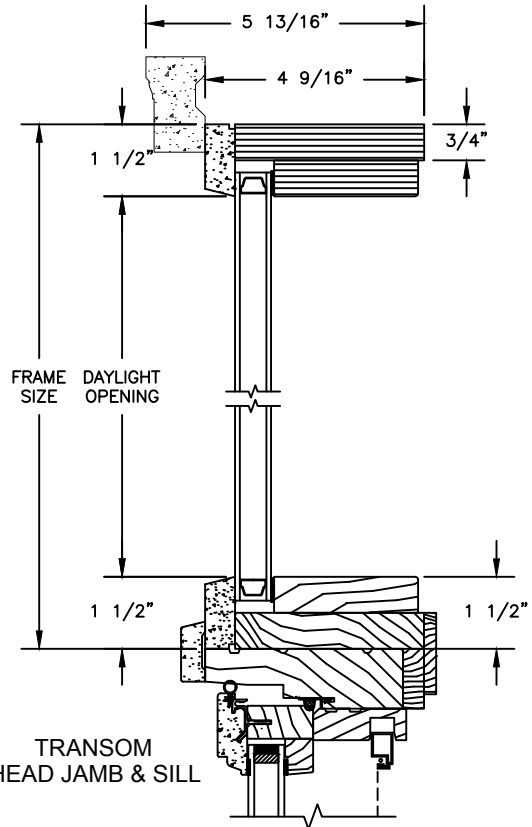
PRIMED RADIUS DIRECT GLAZE

SECTION DETAILS: HALF ROUND WITH CONTEMPORARY STOPS

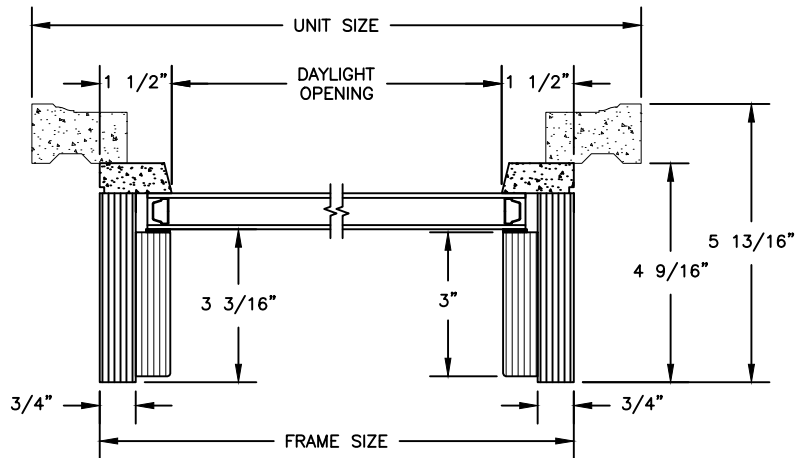
SCALE: 3" = 1'-0"



HEAD JAMB & SILL



TRANSOM
HEAD JAMB & SILL



HALF ROUNDS, FULL ROUNDS & OVALS
JAMB

AVAILABLE INTERIOR TRIM PROFILES

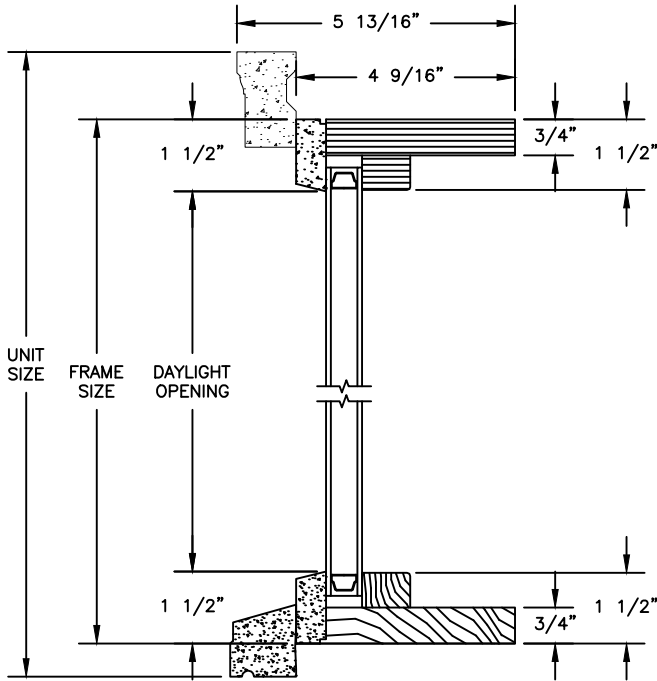


Pinnacle Series

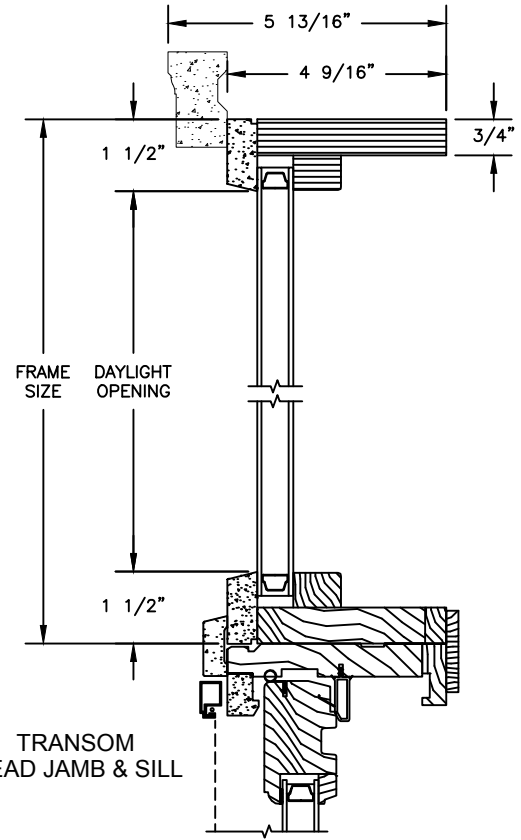
PRIMED RADIUS DIRECT GLAZE

SECTION DETAILS: HALF ROUND

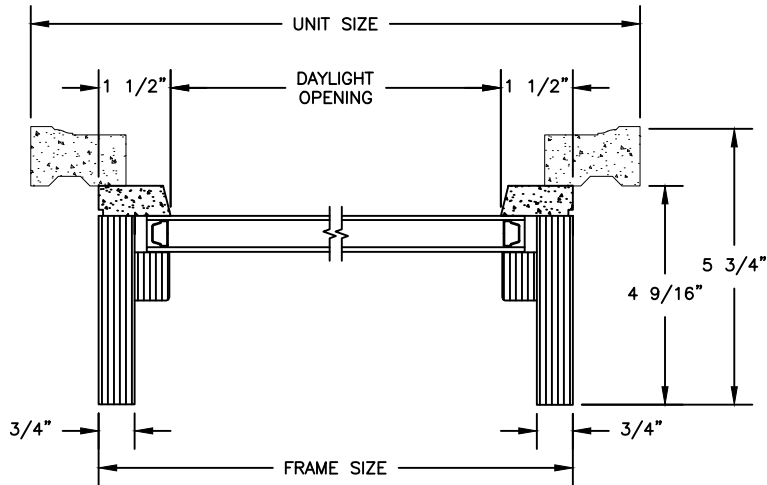
SCALE: 3" = 1'-0"



HEAD JAMB & SILL

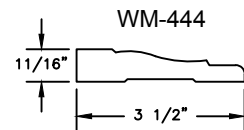
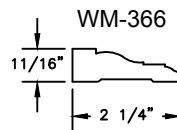
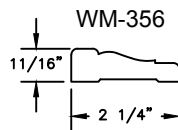
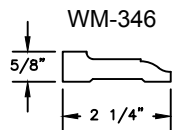
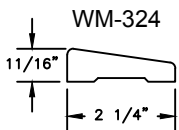


TRANSOM
HEAD JAMB & SILL



HALF ROUNDS, FULL ROUNDS & OVALS
JAMB

AVAILABLE INTERIOR TRIM PROFILES

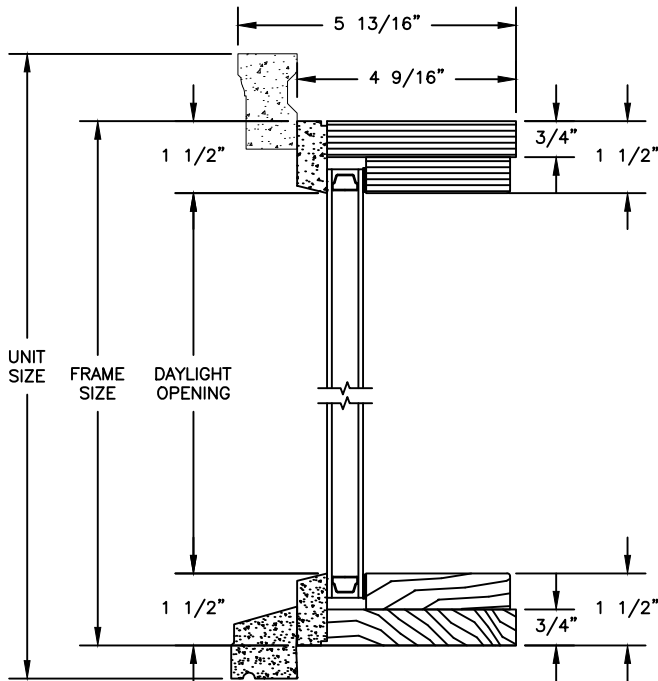


Pinnacle Series

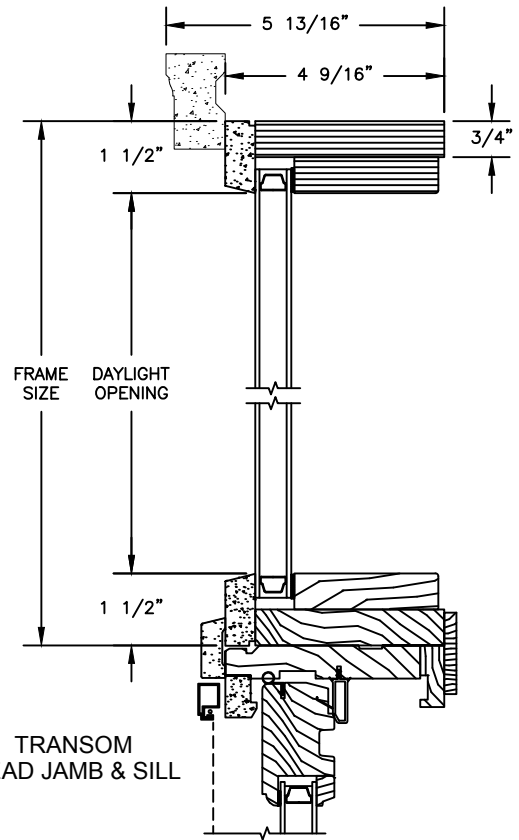
PRIMED RADIUS DIRECT GLAZE

SECTION DETAILS: HALF ROUND WITH CONTEMPORARY STOPS

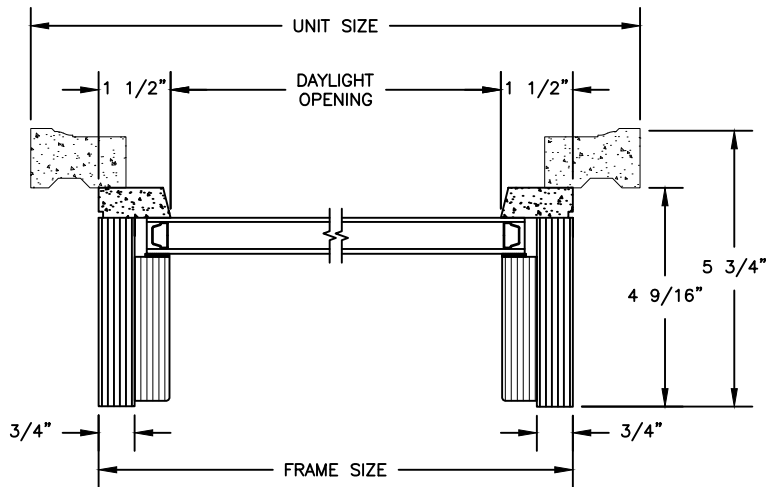
SCALE: 3" = 1'-0"



HEAD JAMB & SILL

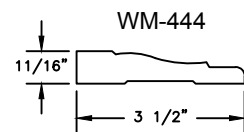
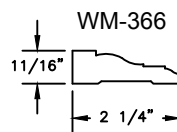
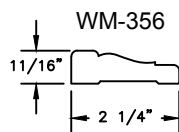
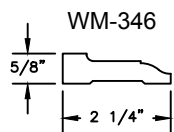
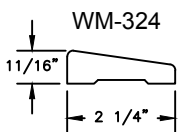


TRANSOM
HEAD JAMB & SILL



HALF ROUNDS, FULL ROUNDS & OVALS
JAMB

AVAILABLE INTERIOR TRIM PROFILES

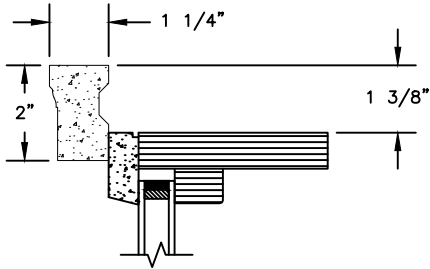


Pinnacle Series

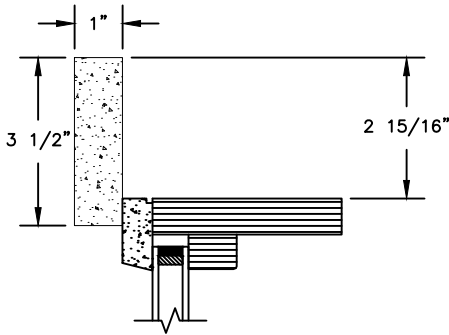
PRIMED RADIUS

SECTION DETAILS : CASING OPTIONS

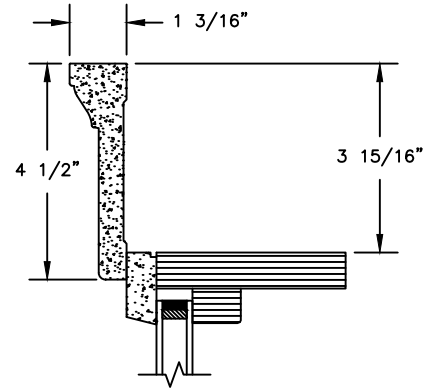
SCALE: 3" = 1'-0"



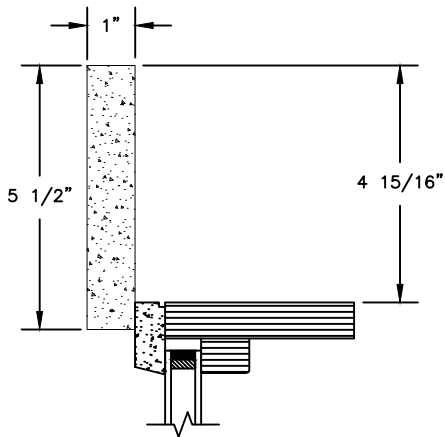
HEAD JAMB WITH
STANDARD 180 BRICKMOULD



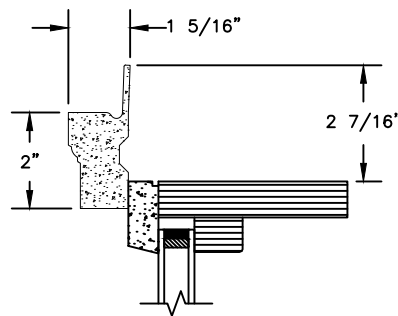
HEAD JAMB WITH
3 1/2" FLAT CASING



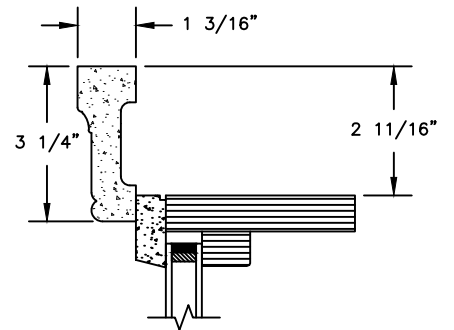
HEAD JAMB WITH
4 1/2" BACKBAND



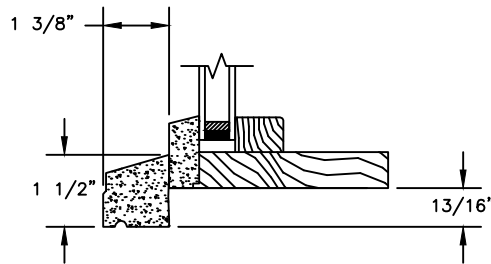
HEAD JAMB WITH
5 1/2" FLAT CASING



HEAD JAMB WITH
180 FLANGED BRICKMOULD



HEAD JAMB WITH
WILLIAMSBURG BRICKMOULD



SILL WITH
STANDARD SILL NOSE




Pinnacle Series

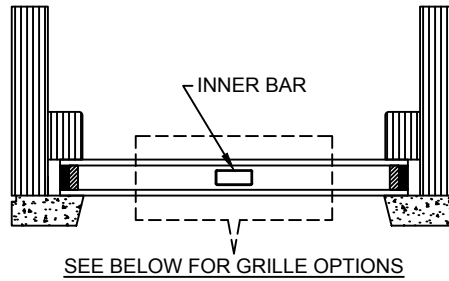
PRIMED RADIUS

SECTION DETAILS : DIVIDED LITE OPTIONS

SCALE: 3" = 1'-0"

AVAILABLE STYLES

-  - PUTTY
-  - OGEE
-  - CONTEMPORARY

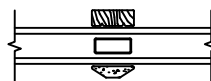
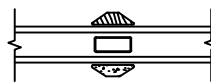
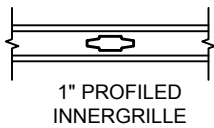
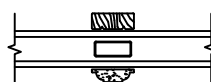
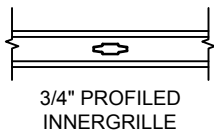
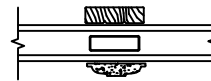
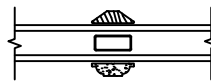
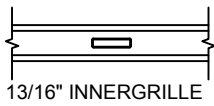
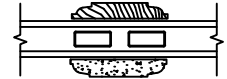
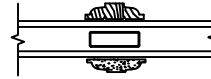


5/8" WDL WITH
INNER BAR

7/8" WDL WITH
INNERBAR

1 1/4" WDL WITH
INNERBAR

2" WDL WITH
INNERBAR



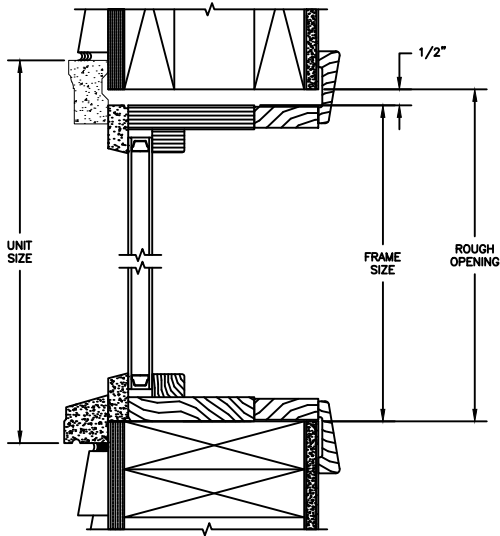
NOTE:
* ALL WDL OPTIONS CAN BE ORDERED WITH OR WITHOUT INNER BAR

Pinnacle Series

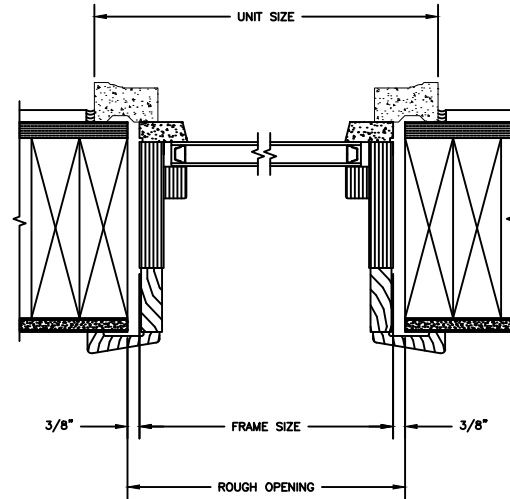
PRIMED RADIUS

SECTION DETAILS : CONSTRUCTION

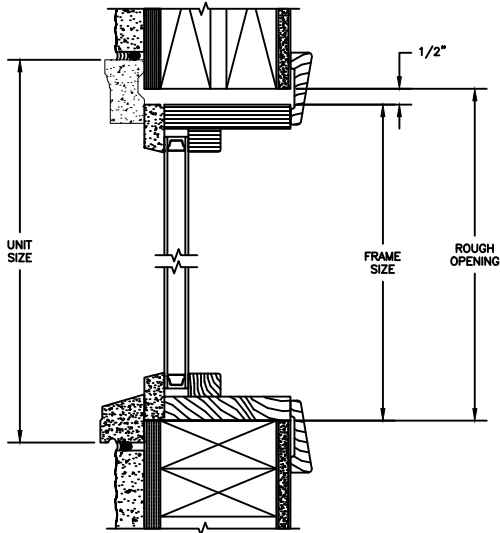
SCALE: 2" = 1'-0"



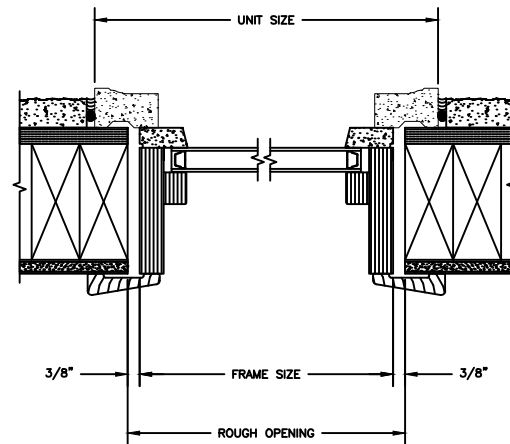
HEAD JAMB & SILL
2 X 6 FRAME WITH SIDING



JAMBS
2 X 6 FRAME WITH SIDING



HEAD JAMB & SILL
2 X 4 FRAME WITH STUCCO



JAMBS
2 X 4 FRAME WITH STUCCO

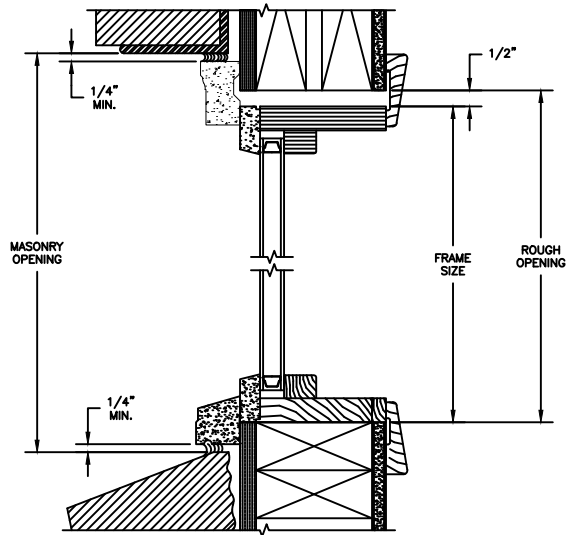
NOTE :
THE ABOVE WALL SECTIONS REPRESENT TYPICAL WALL CONDITIONS, THESE DETAILS ARE NOT INTENDED AS INSTALLATIONS INSTRUCTIONS. PLEASE REFER TO THE INSTALLATION INSTRUCTIONS PROVIDED WITH THE PURCHASED UNITS.

Pinnacle Series

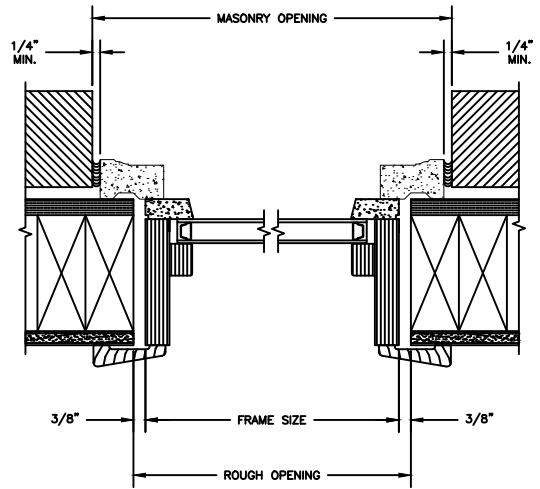
PRIMED RADIUS

SECTION DETAILS : CONSTRUCTION

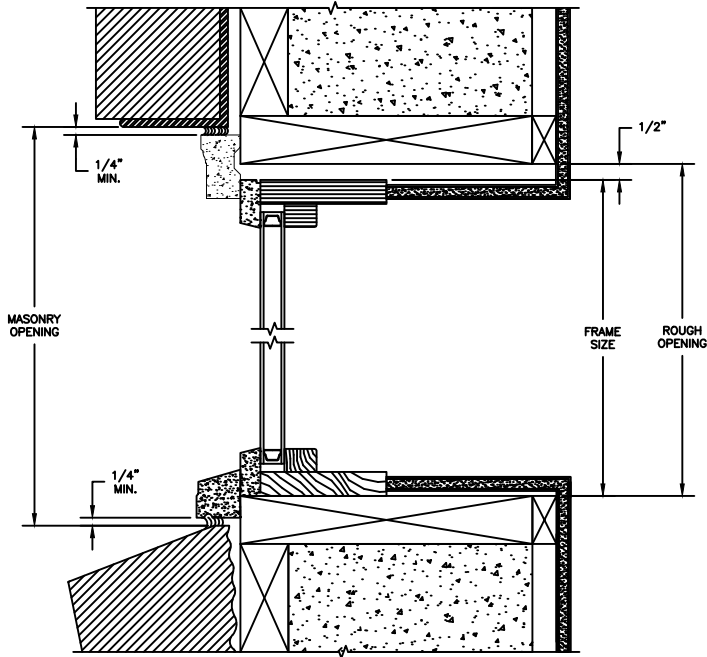
SCALE: 2" = 1'-0"



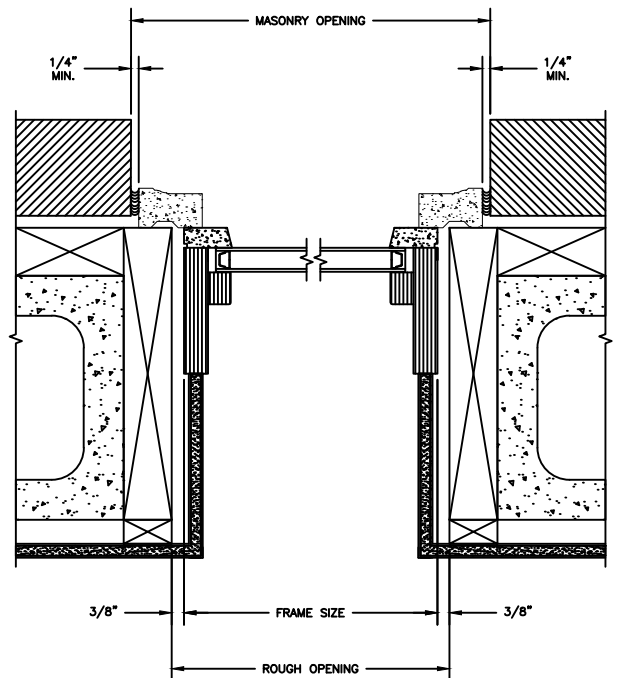
HEAD JAMB & SILL
2 X 4 FRAME WITH BRICK VENEER



JAMBS
2 X 4 FRAME WITH BRICK VENEER



HEAD JAMB & SILL
8" CONCRETE BLOCK WALL
WITH BRICK VENEER



JAMBS
8" CONCRETE BLOCK WALL
WITH BRICK VENEER

NOTE:
THE ABOVE WALL SECTIONS REPRESENT TYPICAL WALL CONDITIONS, THESE DETAILS ARE NOT INTENDED AS INSTALLATIONS INSTRUCTIONS. PLEASE REFER TO THE INSTALLATION INSTRUCTIONS PROVIDED WITH THE PURCHASED UNITS.