

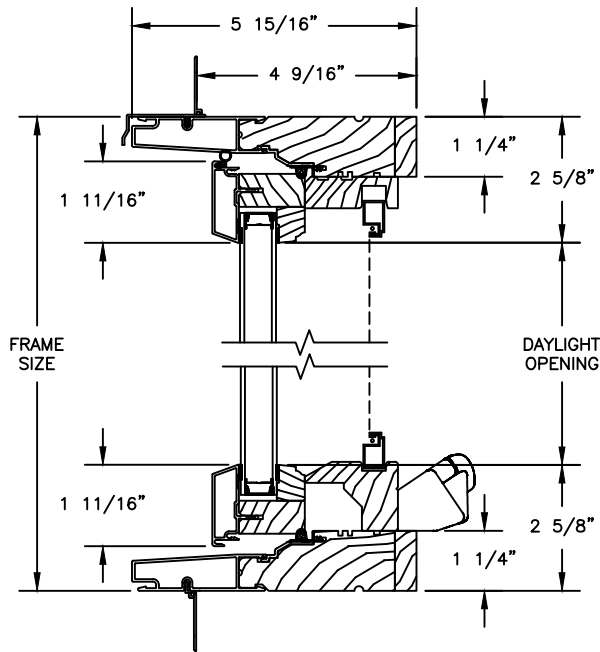
Pinnacle Series

CLAD AWNING

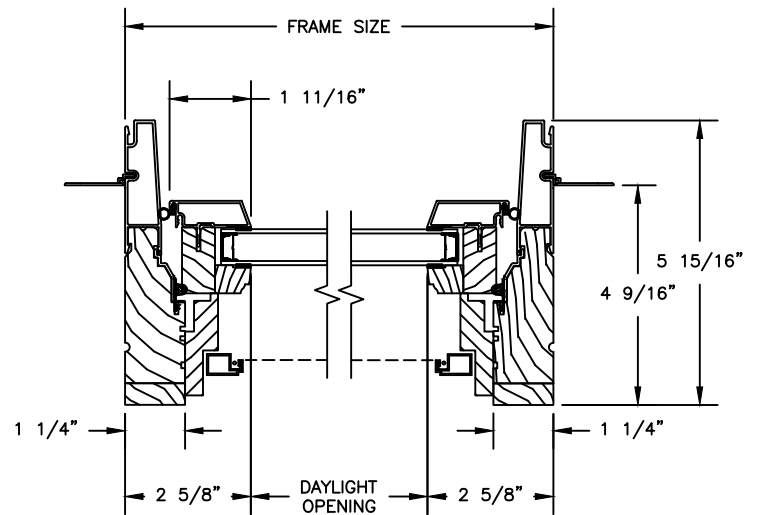
SECTION DETAILS : OPERATING / STATIONARY

SCALE: 3" = 1'-0"

OPERATING

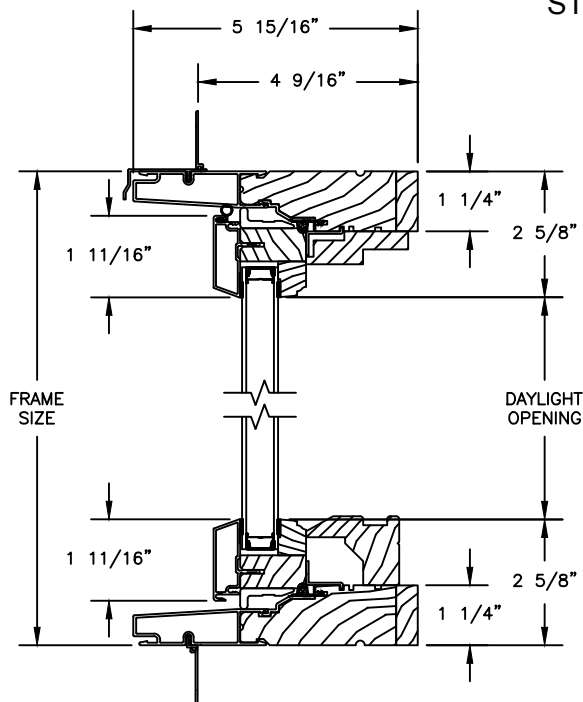


HEAD JAMB & SILL

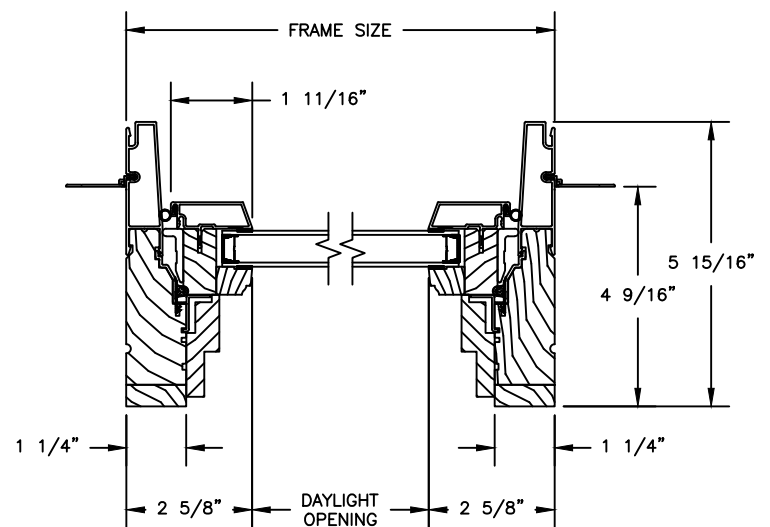


JAMBS

STATIONARY



HEAD JAMB & SILL



JAMBS

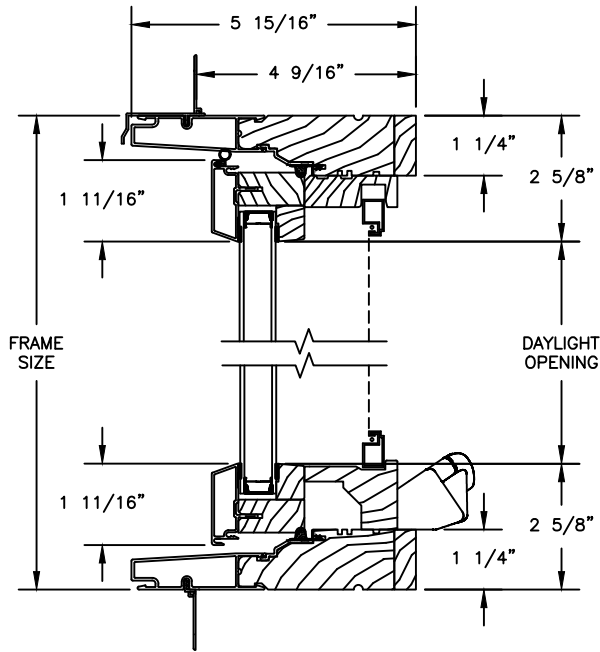
Pinnacle Series

CLAD AWNING

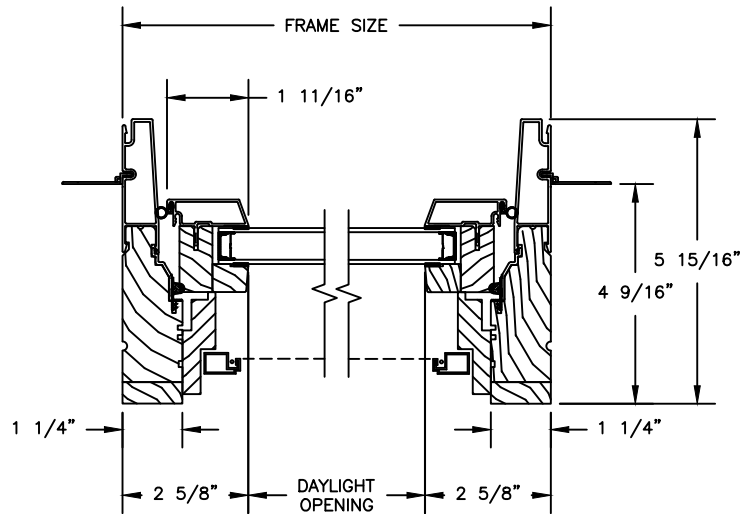
SECTION DETAILS : OPERATING / STATIONARY WITH CONTEMPORARY STOPS

SCALE: 3" = 1'-0"

OPERATING

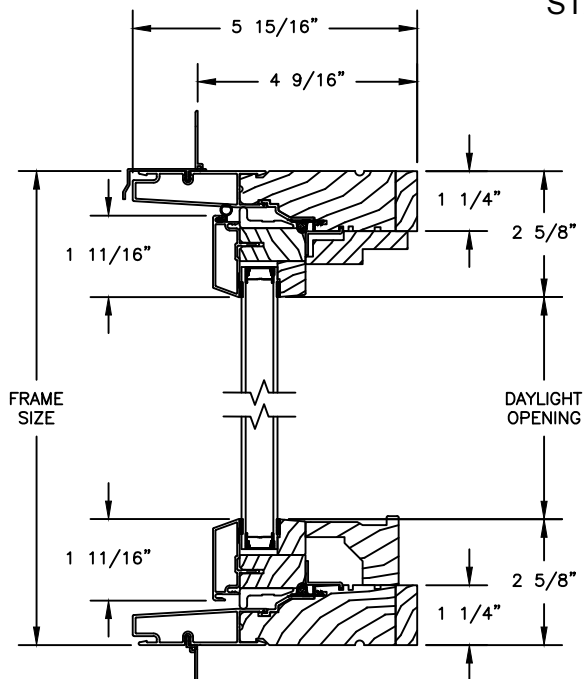


HEAD JAMB & SILL

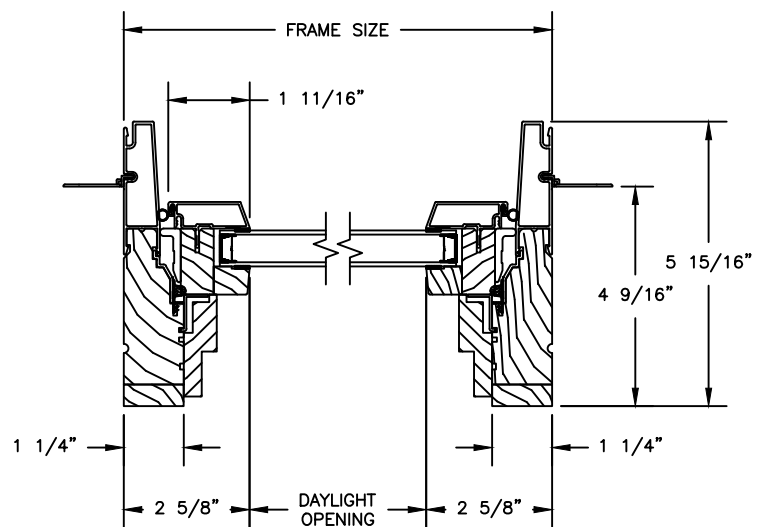


JAMBS

STATIONARY



HEAD JAMB & SILL



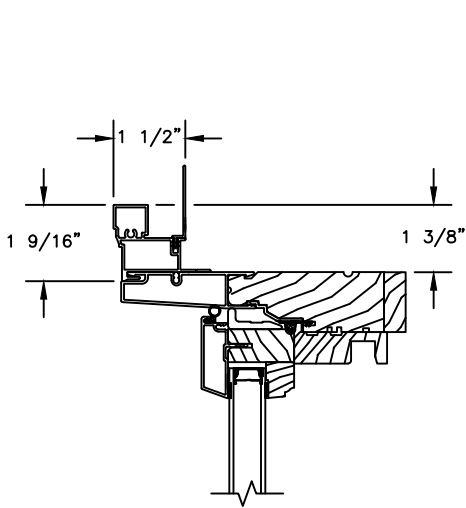
JAMBS

Pinnacle Series

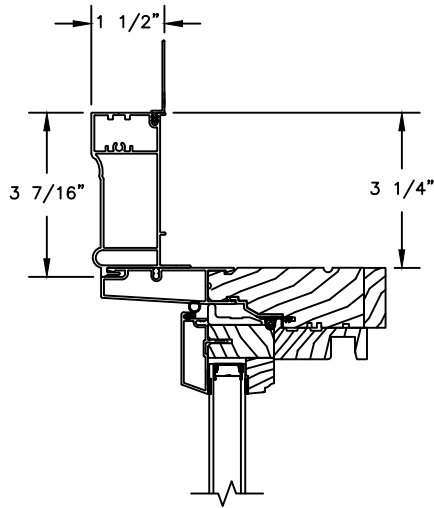
CLAD AWNING

SECTION DETAILS : CASING OPTIONS

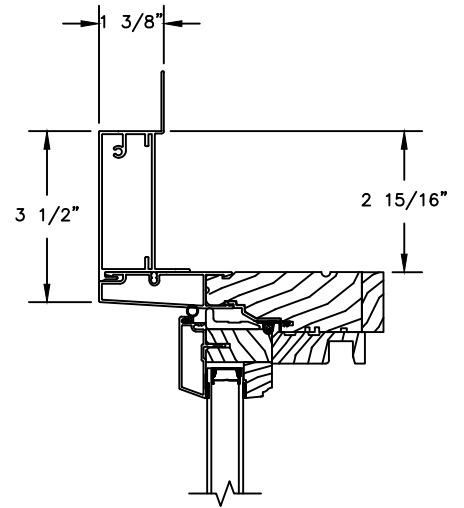
SCALE: 3" = 1'-0"



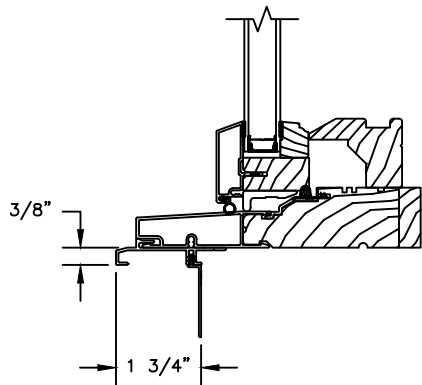
HEAD JAMB WITH
CLAD BRICKMOULD CASING



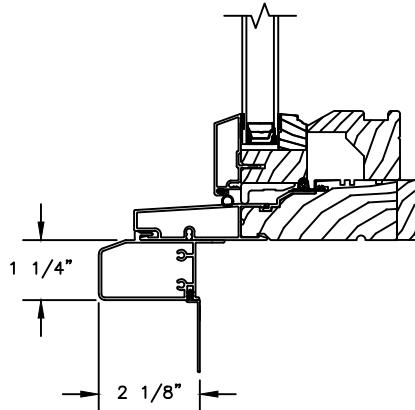
HEAD JAMB WITH CLAD
WILLIAMSBURG CASING



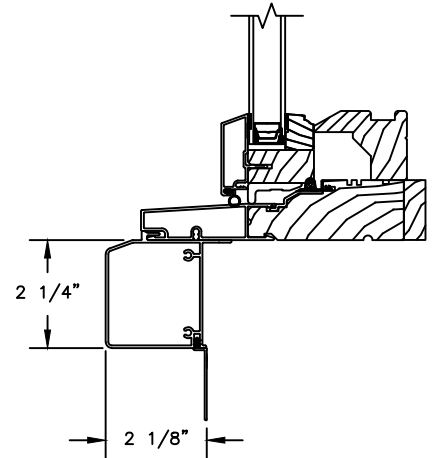
HEAD JAMB WITH
3 1/2" CLAD FLAT CASING



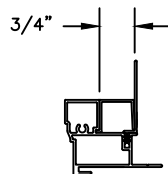
SILL WITH 3/8" CLAD SUBSILL



SILL WITH 1 1/4" CLAD SUBSILL



SILL WITH 2 1/4" CLAD SUBSILL



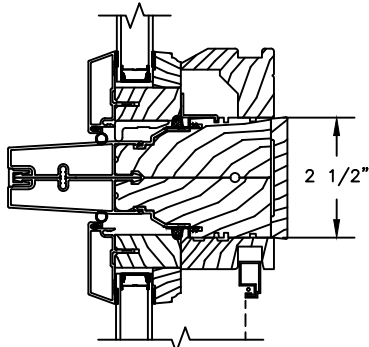
CLAD BRICKMOULD CASING
WITH OPTIONAL J-CHANNEL COVER

Pinnacle Series

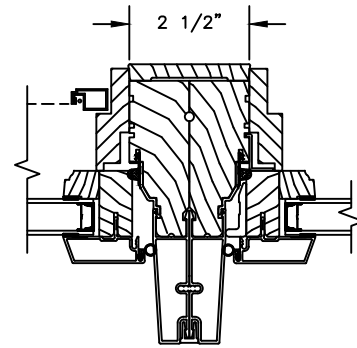
CLAD AWNING

SECTION DETAILS : MULLIONS

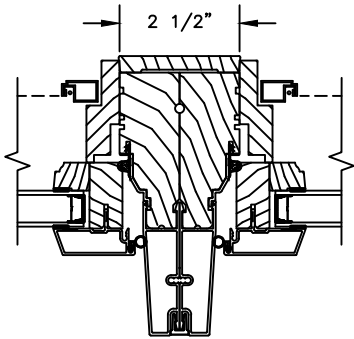
SCALE: 3" = 1'-0"



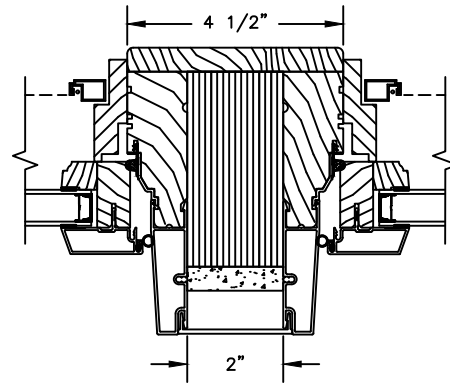
HORIZONTAL MULLION
STATIONARY/OPERATOR



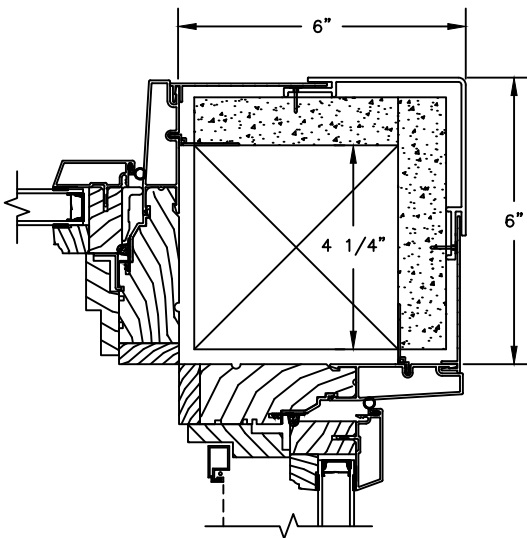
VERTICAL MULLION
OPERATOR/PICTURE



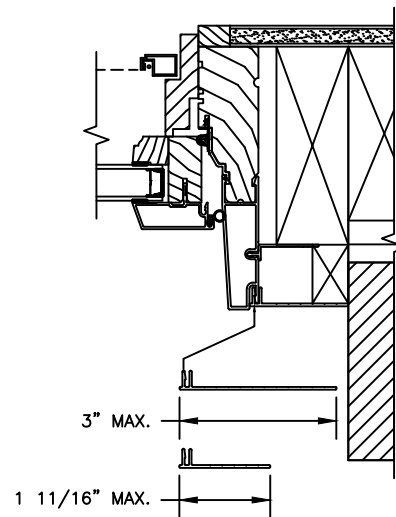
VERTICAL MULLION
OPERATOR/OPERATOR



VERTICAL MULLION WITH
2" SPREAD MULL
ADDITIONAL WIDTHS INCLUDE:
1", 2", 2 1/2", 3", & 4"



90° MULLION
PICTURE/OPERATOR
(ONLY USED WITH 4 9/16" JAMB & 3 1/4"
FRAME EXPANDER)



Pinnacle Series

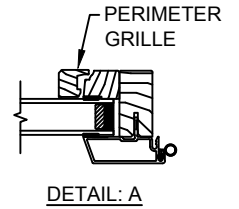
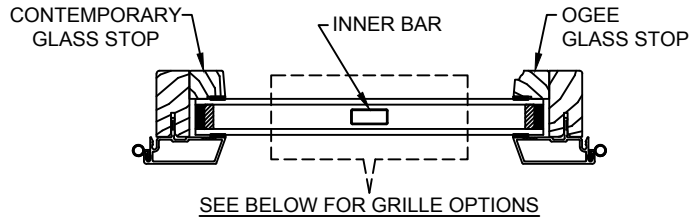
CLAD AWNING

SECTION DETAILS : GLASS STOP & DIVIDED LITE OPTIONS

SCALE: 3" = 1'-0"

AVAILABLE STYLES

-  - PUTTY
-  - TALL PUTTY
-  - OGEE
-  - CONTEMPORARY

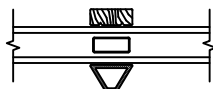
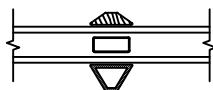
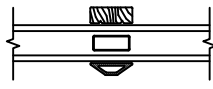
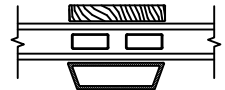
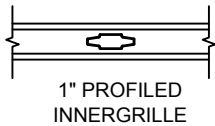
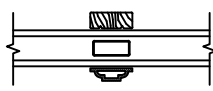
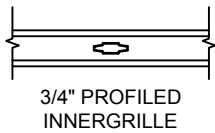
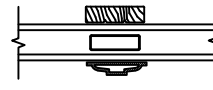
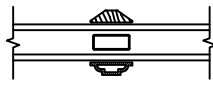
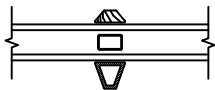
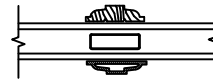
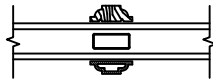


5/8" WDL WITH
INNER BAR

7/8" WDL WITH
INNERBAR

1 1/4" WDL WITH
INNERBAR

2" WDL WITH
INNERBAR



NOTE:

* ALL WDL OPTIONS CAN BE ORDERED WITH OR WITHOUT INNER BAR

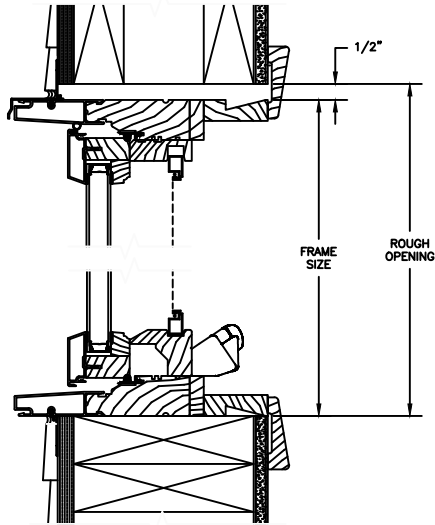
* PERIMETER GRILLES ONLY AVAILABLE IN THE 7/8" AND 1 1/4" OGEE STYLE GLASS STOP (SEE DETAIL: A)

Pinnacle Series

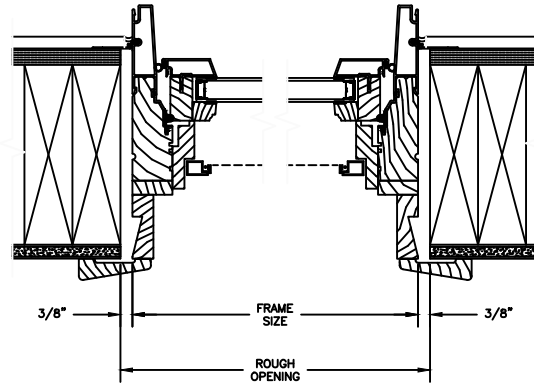
CLAD AWNING

SECTION DETAILS : CONSTRUCTION

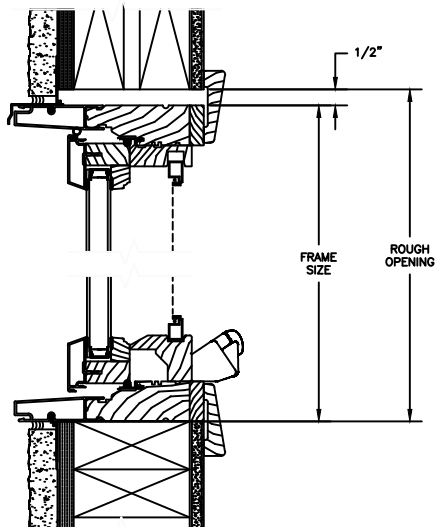
SCALE: 2" = 1'-0"



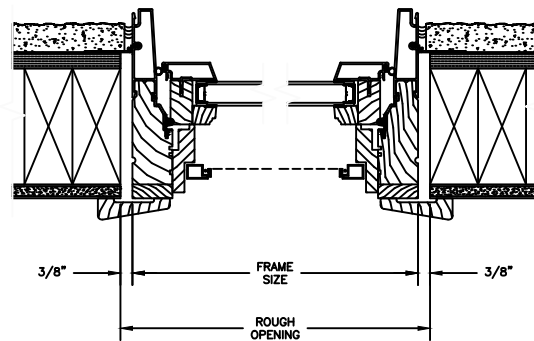
HEAD JAMB & SILL
2 X 6 FRAME WITH SIDING



JAMBS
2 X 6 FRAME WITH SIDING



HEAD JAMB & SILL
2 X 4 FRAME WITH STUCCO



JAMBS
2 X 4 FRAME WITH STUCCO

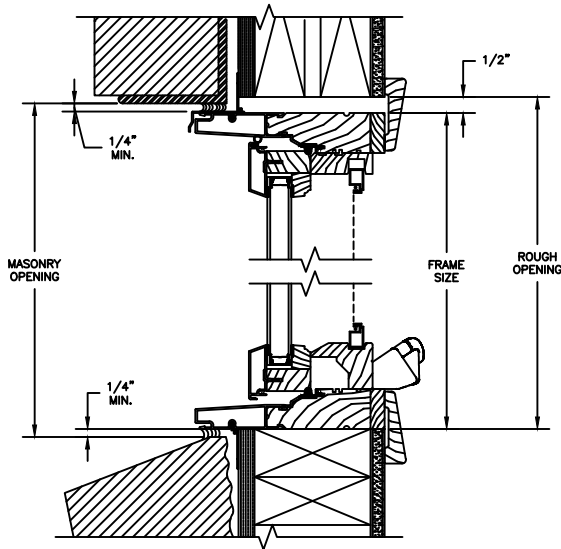
NOTE :
THE ABOVE WALL SECTIONS REPRESENT TYPICAL WALL CONDITIONS, THESE DETAILS ARE NOT INTENDED AS INSTALLATIONS INSTRUCTIONS. PLEASE REFER TO THE INSTALLATION INSTRUCTIONS PROVIDED WITH THE PURCHASED UNITS.

Pinnacle Series

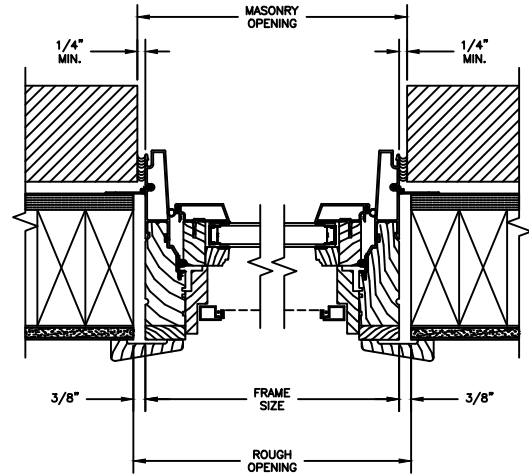
CLAD AWNING

SECTION DETAILS : CONSTRUCTION

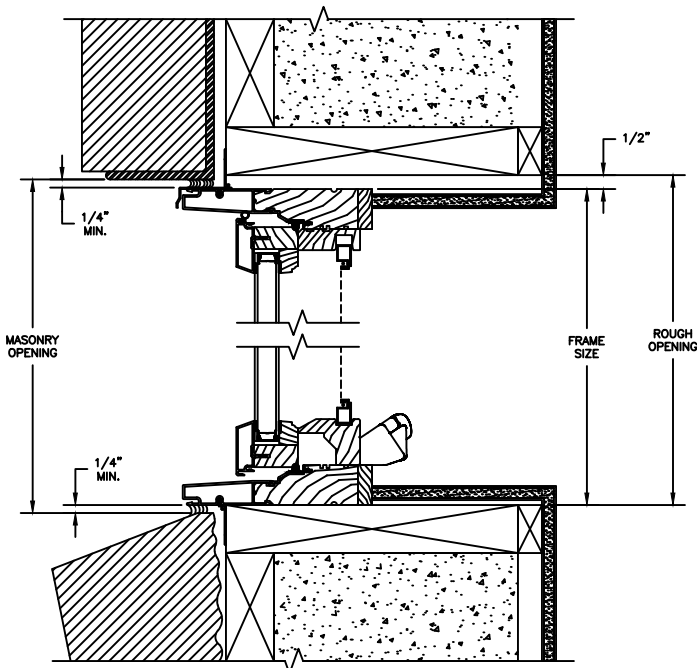
SCALE: 2" = 1'-0"



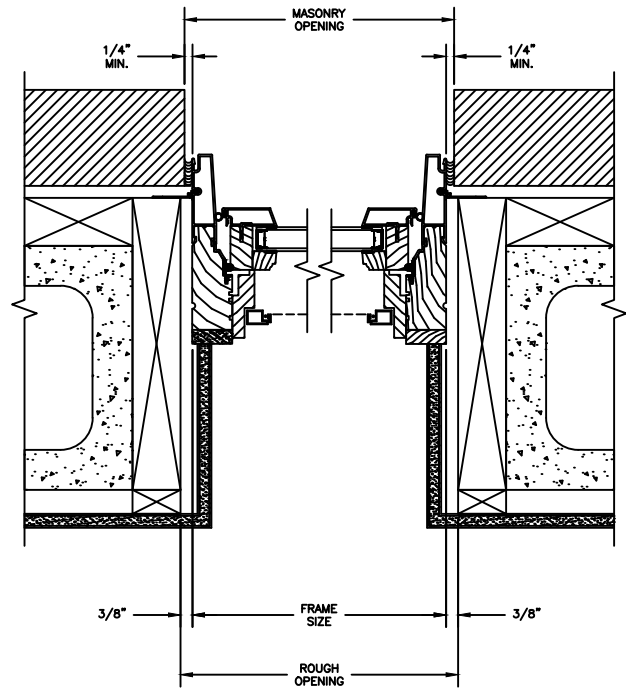
HEAD JAMB & SILL
2 X 4 FRAME WITH BRICK VENEER



JAMBS
2 X 4 FRAME WITH BRICK VENEER



HEAD JAMB & SILL
8" CONCRETE BLOCK WALL
WITH BRICK VENEER



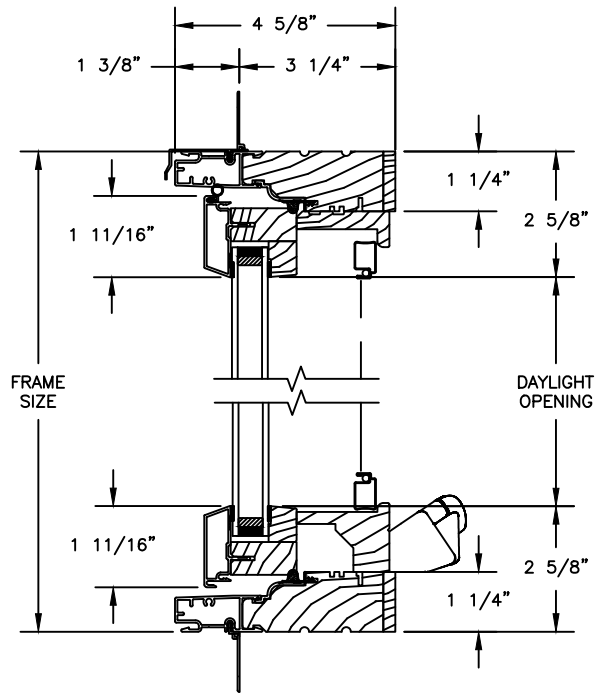
JAMBS
8" CONCRETE BLOCK WALL
WITH BRICK VENEER

Pinnacle Series

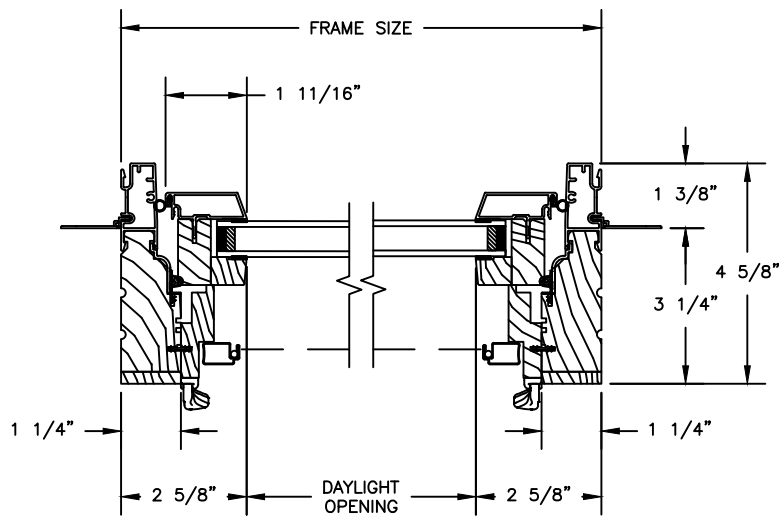
CLAD AWNING - 3 1/4" FRAME

SECTION DETAILS : OPERATING
SCALE: 3" = 1'-0"

OPERATING



HEAD JAMB & SILL



JAMBS

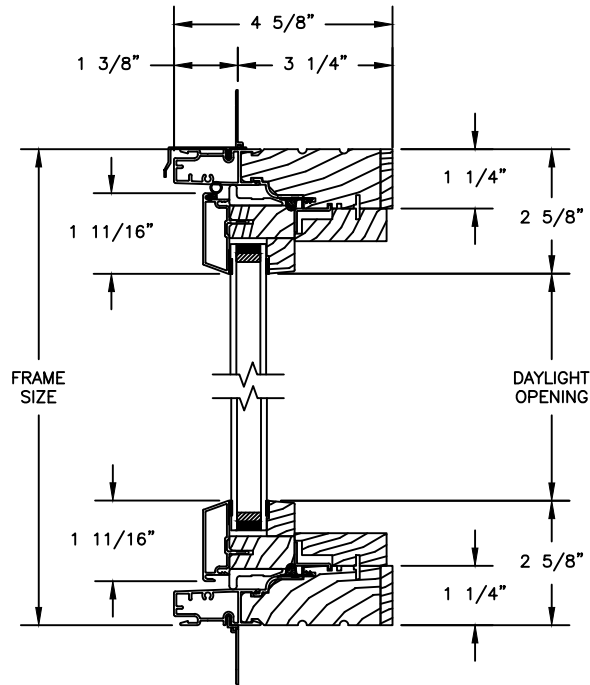
Pinnacle Series

CLAD AWNING - 3 1/4" FRAME

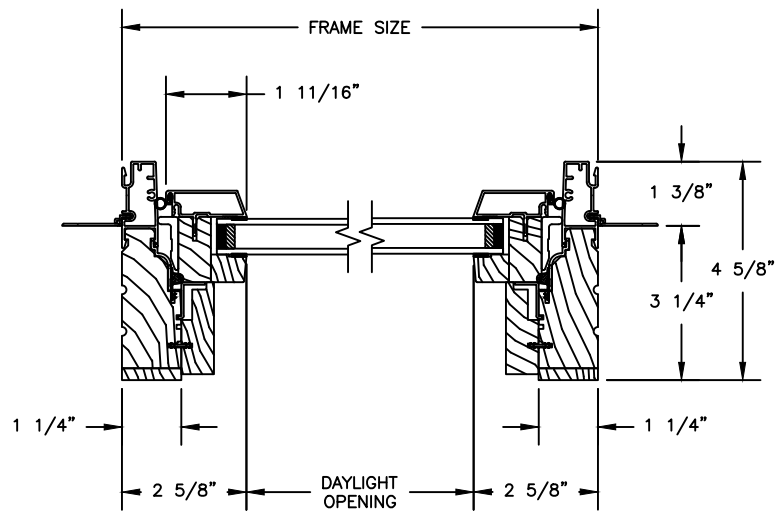
SECTION DETAILS : PICTURE

SCALE: 3" = 1'-0"

PICTURE



HEAD JAMB & SILL



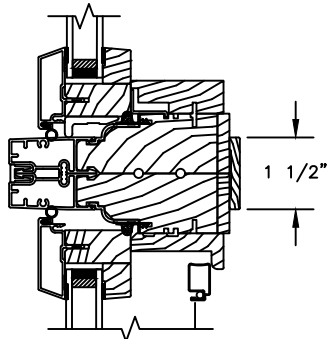
JAMBS

Pinnacle Series

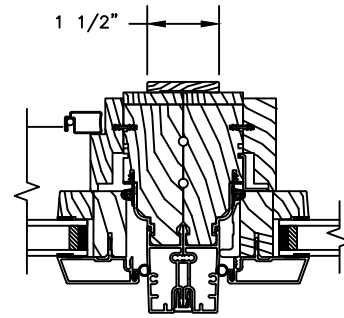
CLAD CASEMENT - 3 1/4" FRAME

SECTION DETAILS : MULLIONS

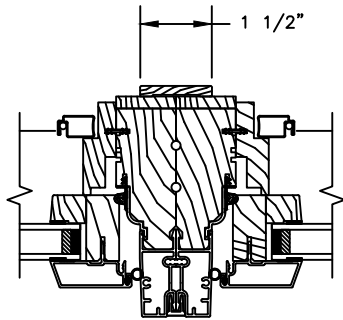
SCALE: 3" = 1'-0"



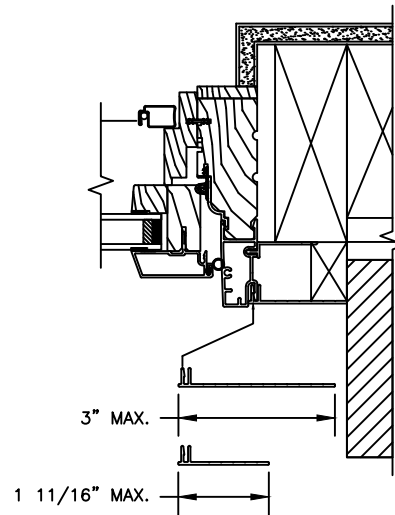
HORIZONTAL MULLION
STATIONARY/OPERATOR



VERTICAL MULLION
OPERATOR/PICTURE



VERTICAL MULLION
OPERATOR/OPERATOR



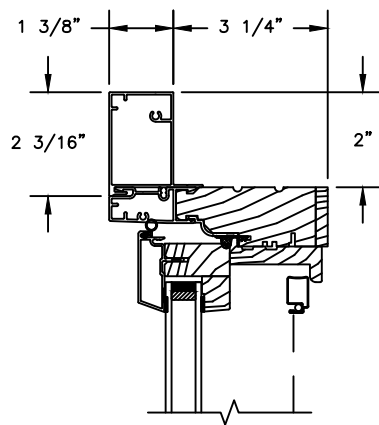
NOTE :
FOR INFORMATION ON STRUCTURAL MULLIONS REFER TO
THE PRODUCT PERFORMANCE AND INFORMATION SECTION.

Pinnacle Series

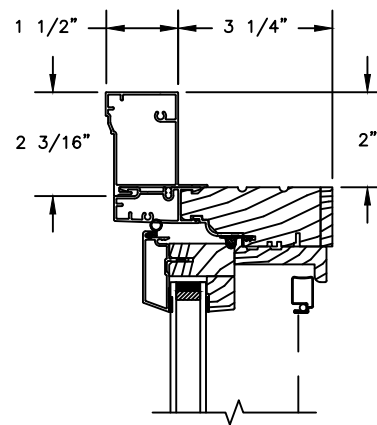
CLAD CASEMENT - 3 1/4" FRAME

SECTION DETAILS : FLUSH FIN

SCALE: 3" = 1'-0"



HEAD JAMB WITH
CONTEMPORARY FLUSH FIN



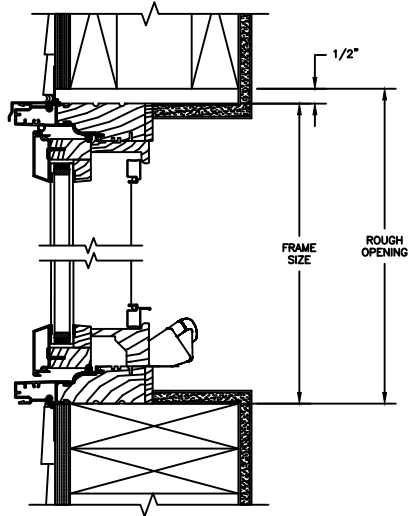
HEAD JAMB WITH
TRADITIONAL FLUSH FIN

Pinnacle Series

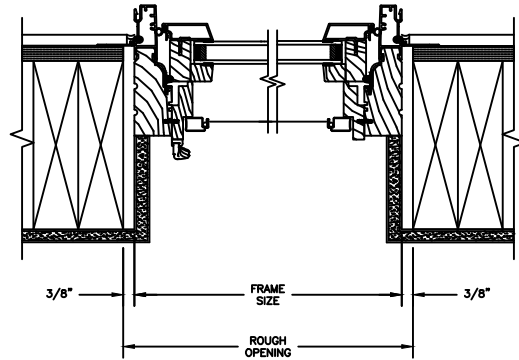
CLAD CASEMENT

SECTION DETAILS : CONSTRUCTION

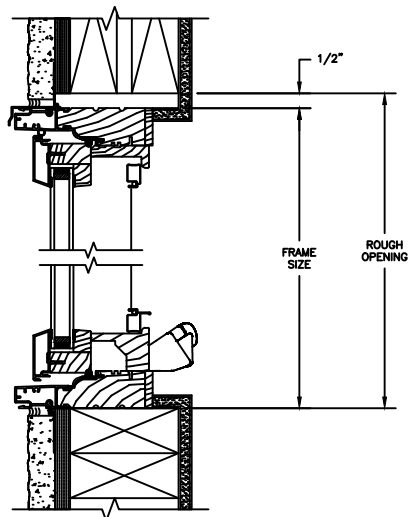
SCALE: 2" = 1'-0"



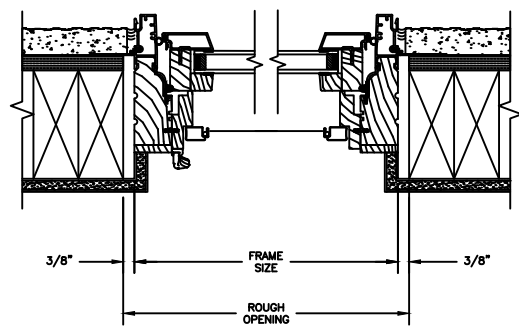
HEAD JAMB & SILL
2 X 6 FRAME WITH SIDING



JAMBS
2 X 6 FRAME WITH SIDING



HEAD JAMB & SILL
2 X 4 FRAME WITH STUCCO



JAMBS
2 X 4 FRAME WITH STUCCO

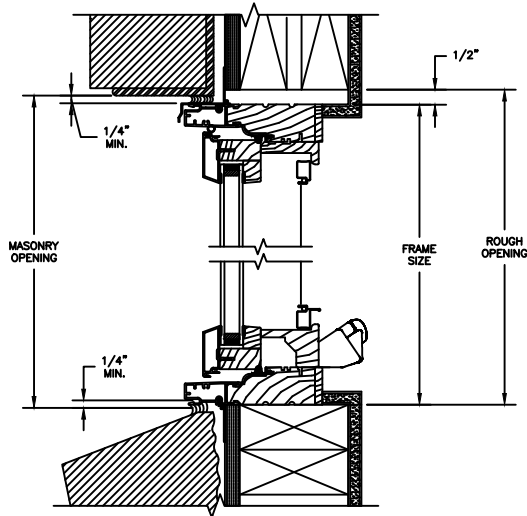
NOTE :
THE ABOVE WALL SECTIONS REPRESENT TYPICAL WALL CONDITIONS, THESE DETAILS ARE NOT INTENDED AS INSTALLATIONS INSTRUCTIONS. PLEASE REFER TO THE INSTALLATION INSTRUCTIONS PROVIDED WITH THE PURCHASED UNITS.

Pinnacle Series

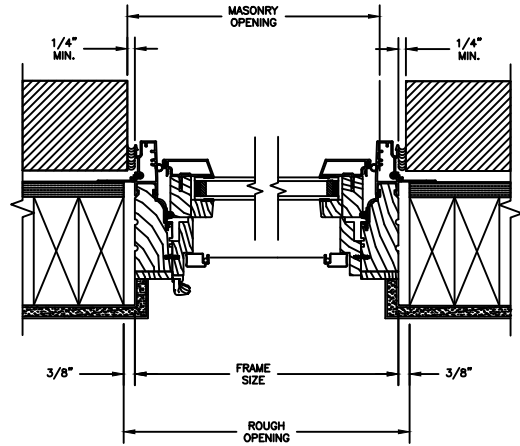
CLAD CASEMENT

SECTION DETAILS : CONSTRUCTION

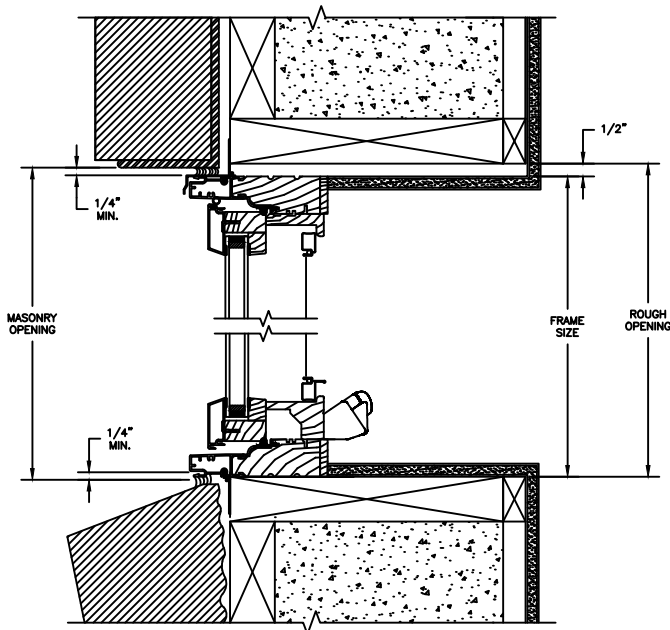
SCALE: 2" = 1'-0"



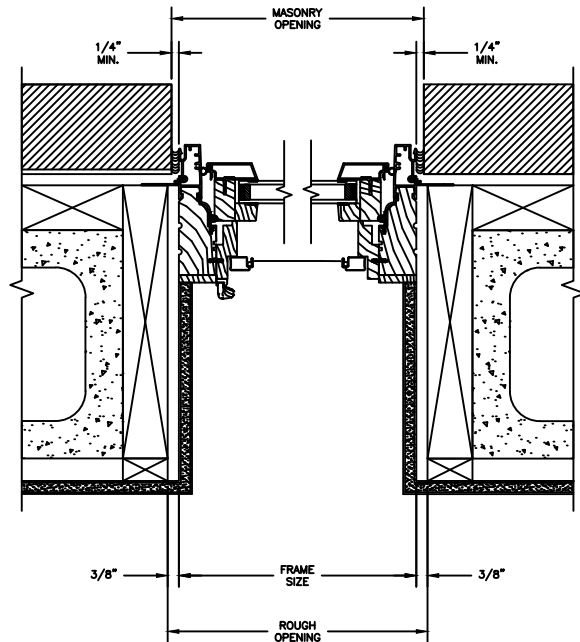
HEAD JAMB & SILL
2 X 4 FRAME WITH BRICK VENEER



JAMBS
2 X 4 FRAME WITH BRICK VENEER



HEAD JAMB & SILL
8" CONCRETE BLOCK WALL
WITH BRICK VENEER



JAMBS
8" CONCRETE BLOCK WALL
WITH BRICK VENEER