

# Pinnacle Series

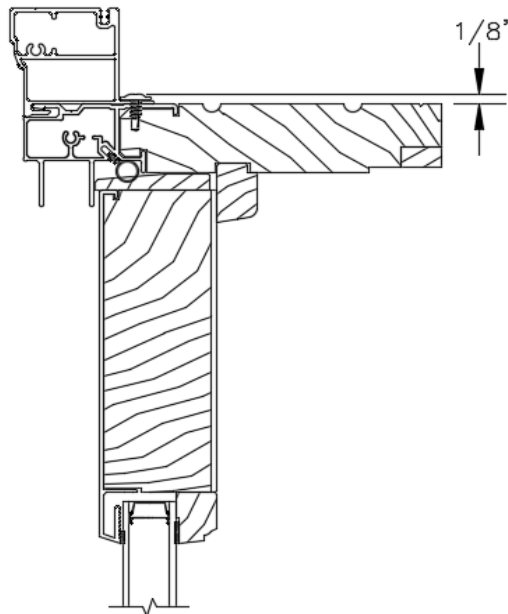
## CLAD PATIO DOOR - FRENCH SLIDER

### MEASUREMENT CONVERSIONS

STANDARD (NO CASING)												
Size Referenced	Daylite Opening		Glass Size		Frame Size		Rough Opening		Unit Size		Masonry Opening	
Daylite Opening	Dimension Needed											
	Width		+ 1 1/4		Width		x2 +19		Width		x2 +12 1/4	
Glass Size	Height		+1 1/4		Height		+ 16.75		Height		+ 9 1/2	
	Width		- 1 1/4		Width		x2 +16 1/2		Width		x2 +17 1/4	
Frame Size	Height		- 1 1/4		Height		+ 15 1/2		Height		+ 16	
	Width		(-19) /2		Width		(-16 1/2) /2		Width		+ 3/4	
Rough Opening	Height		- 16.75		Height		- 15 1/2		Height		+ 0	
	Width		(-12 1/4) /2		Width		(-17 1/4) /2		Width		- 3/4	
Unit Size	Height		- 9 1/2		Height		- 16		Height		- 1/2	
	Width		(-11 1/2) /2		Width		(-16 1/2) /2		Width		+ 0	
Masonry Opening	Height		- 9		Height		+ 0		Height		+ 3/4	
	Width		(-12 1/4) /2		Width		(-17 1/4) /2		Width		- 3/4	
Masonry Opening	Height		- 9 1/2		Height		- 16		Height		- 1/2	
	Width		(-12 1/4) /2		Width		(-17 1/4) /2		Width		- 3/4	

#### FRAME TO UNIT ADDERS

WM180 Brickmould	+ 2 13/16	Width
	+ 1 13/32	Height
Williamsburg Casing	+ 6 1/2	Width
	+ 3 1/4	Height
3 1/2" Flat Casing	+ 5 7/8	Width
	+ 2 15/16	Height



**NOTE: RIGID NAIL FIN AND ALL CASING OPTIONS ARE APPLIED WITH SCREWS THAT SLIGHTLY PROTRUDE INTO ROUGH OPENING BY  $\frac{1}{8}$ ". THESE SCREWS ARE NOT INCLUDED IN ROUGH OPENING CALCULATIONS.**

**NOTE: ADD  $\frac{3}{4}$ " TO UNIT WIDTH AND  $\frac{1}{2}$ " TO UNIT HEIGHT TO CALCULATE MASONRY OPENING.**