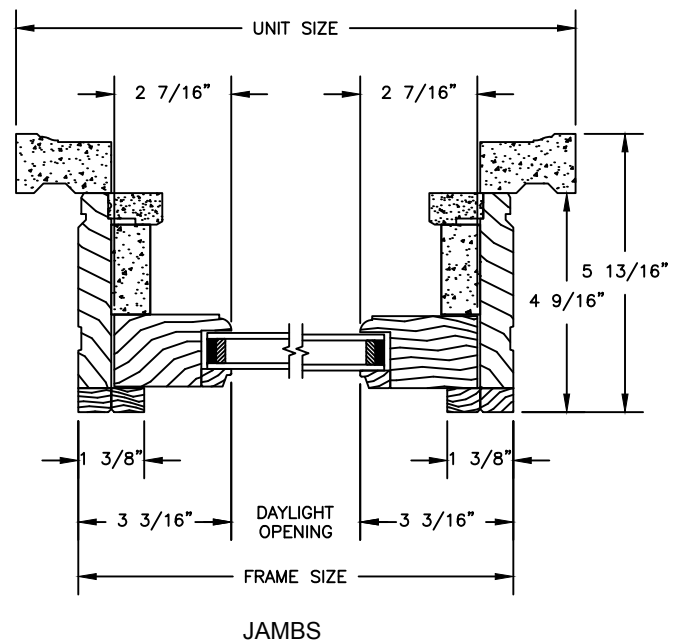
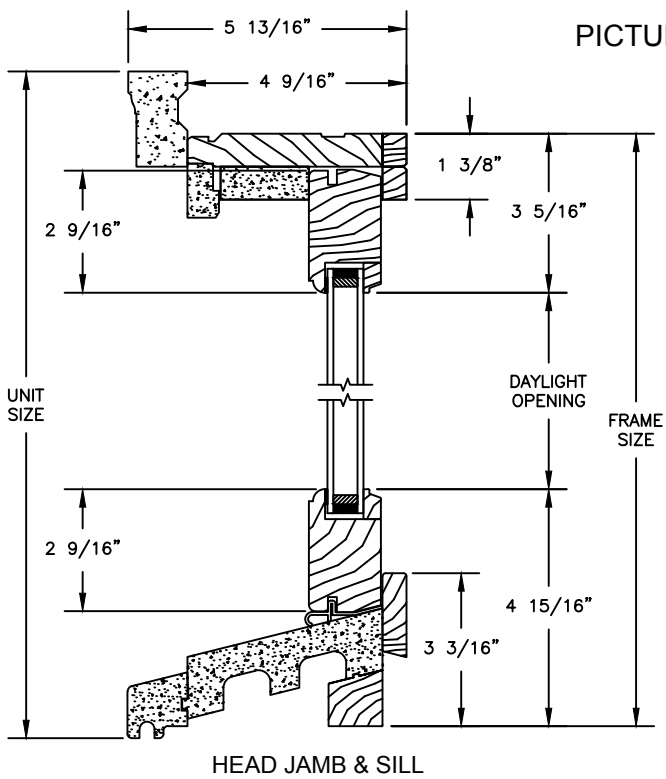
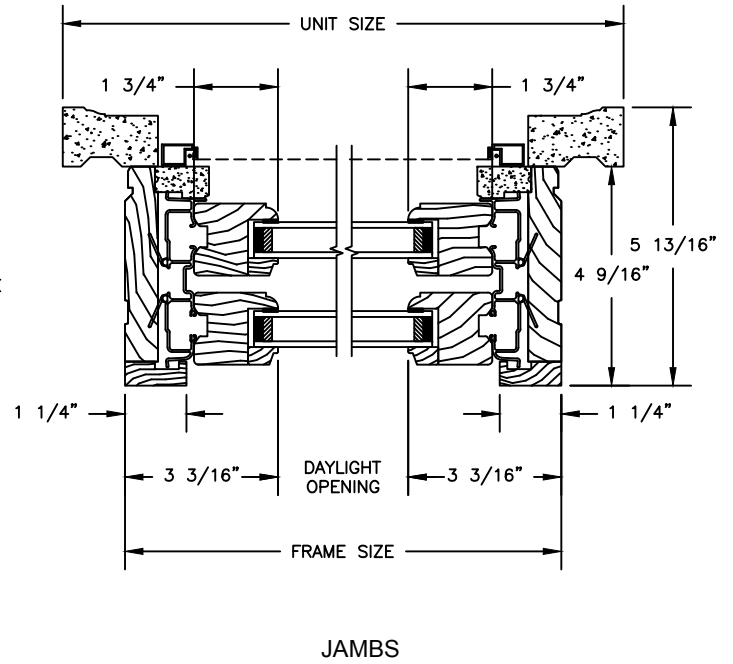
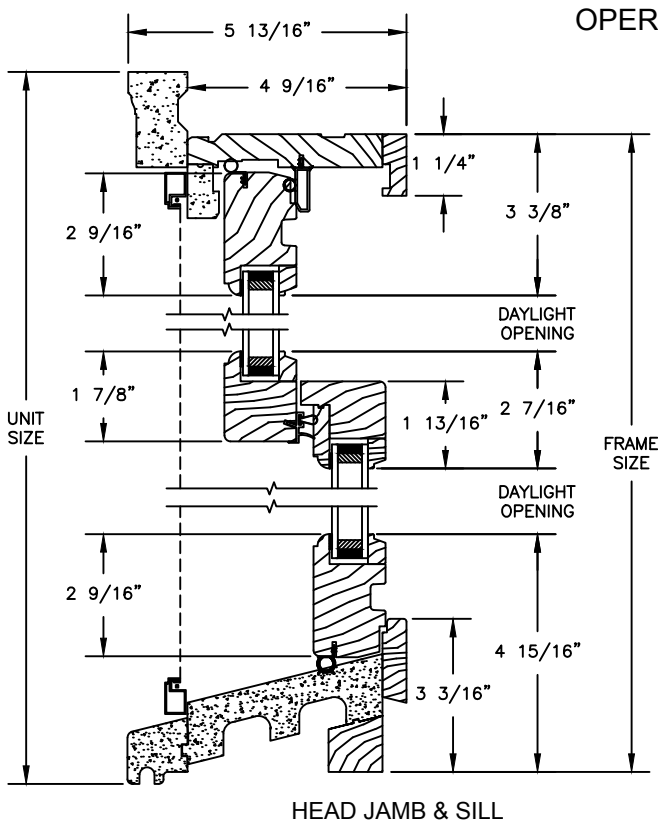


Pinnacle Series

PRIMED DOUBLE HUNG

SECTION DETAILS : OPERATING / PICTURE
 SCALE: 3" = 1'-0"



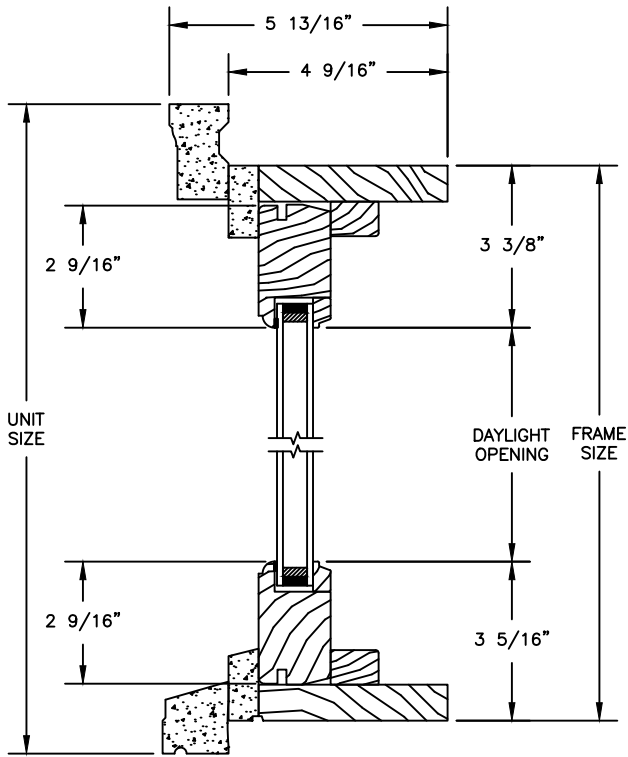
Pinnacle Series

PRIMED DOUBLE HUNG

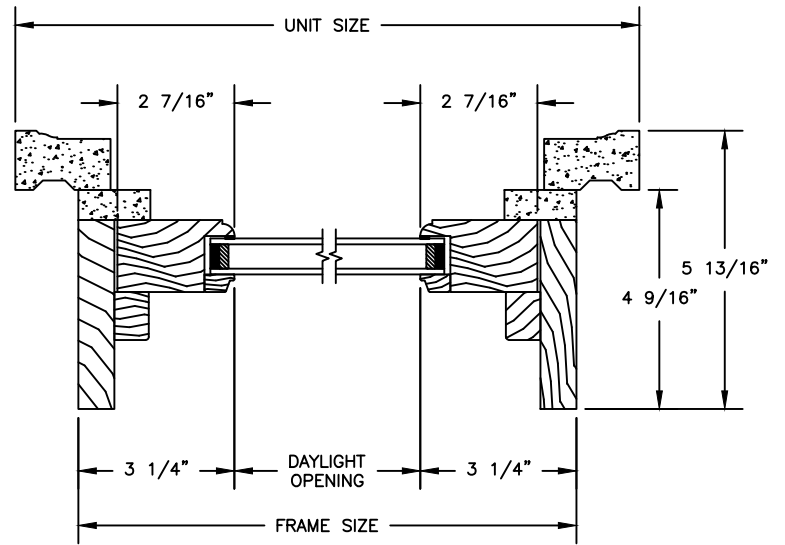
SECTION DETAILS : TRANSOM

SCALE: 3" = 1'-0"

TRANSOM



HEAD JAMB & SILL



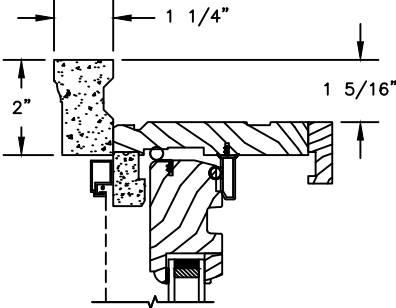
JAMBS

Pinnacle Series

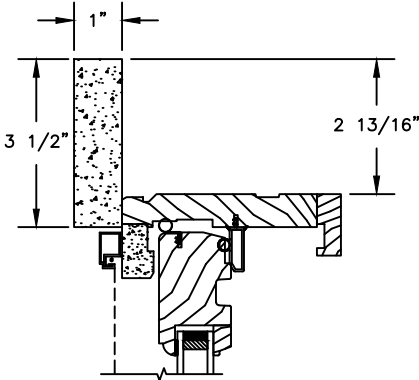
PRIMED DOUBLE HUNG

SECTION DETAILS : CASING OPTIONS

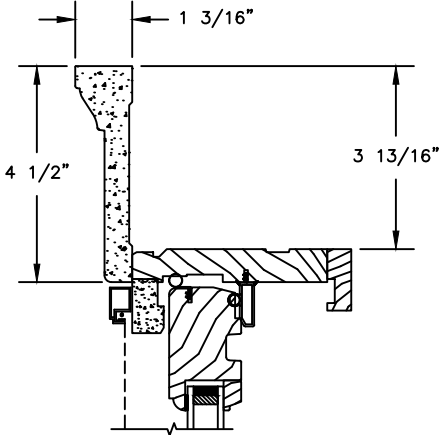
SCALE: 3" = 1'-0"



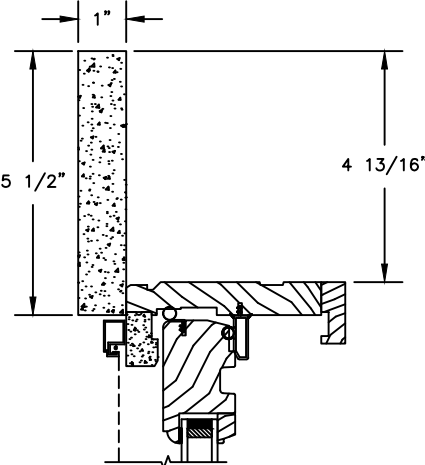
HEAD JAMB WITH
STANDARD 180 BRICKMOULD



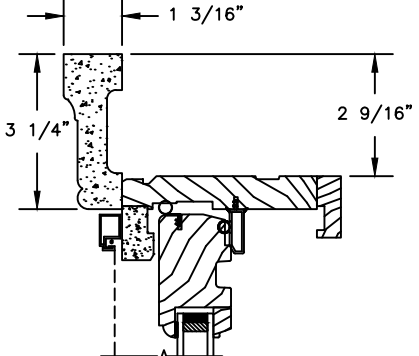
HEAD JAMB WITH
3 1/2" FLAT CASING



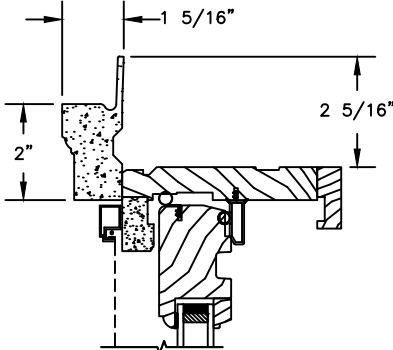
HEAD JAMB WITH
4 1/2" BACKBAND



HEAD JAMB WITH
5 1/2" FLAT CASING



HEAD JAMB WITH
WILLIAMSBURG BRICKMOULD



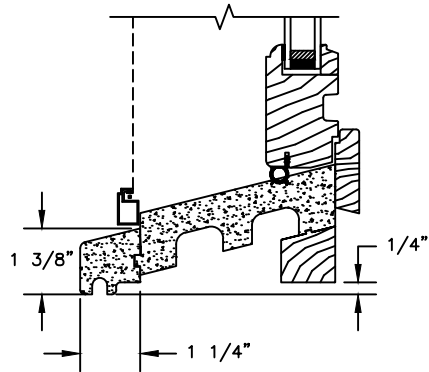
HEAD JAMB WITH
180 FLANGED BRICKMOULD

Pinnacle Series

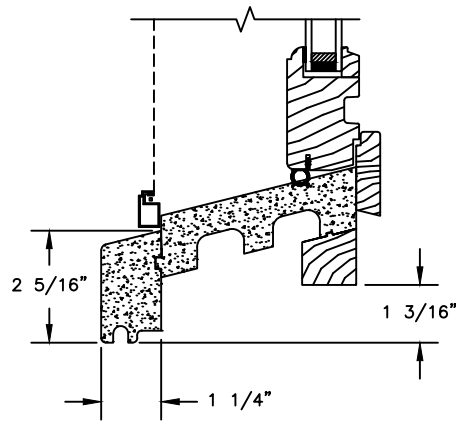
PRIMED DOUBLE HUNG

SECTION DETAILS : CASING OPTIONS

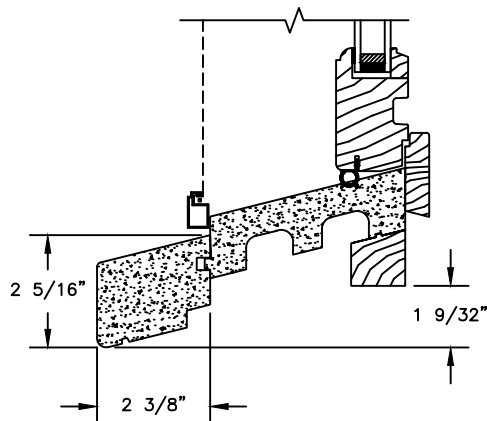
SCALE: 3" = 1'-0"



STANDARD SUBSILL



BULLNOSE SUBSILL



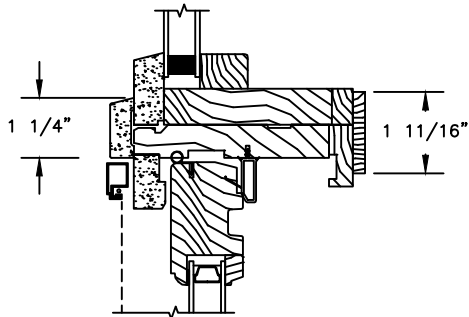
BELLY SUBSILL

Pinnacle Series

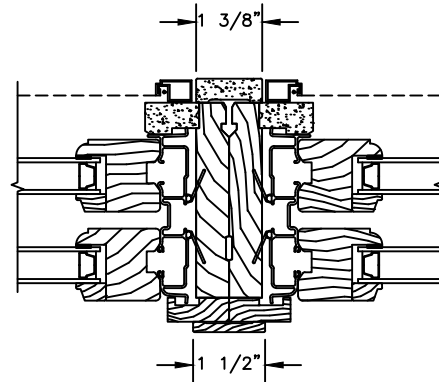
PRIMED DOUBLE HUNG

SECTION DETAILS : MULLIONS

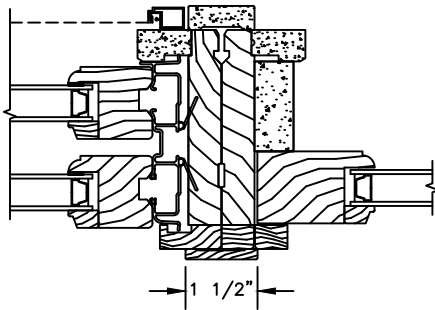
SCALE: 3" = 1'-0"



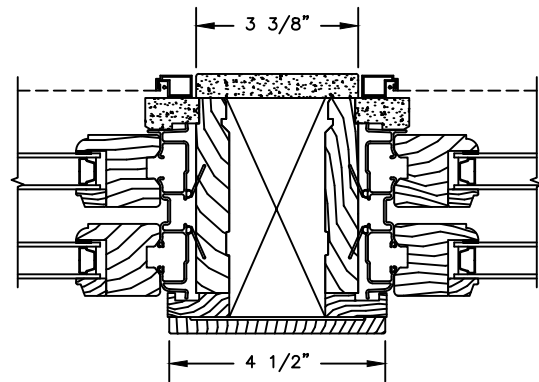
HORIZONTAL MULLION
RADIUS/OPERATOR



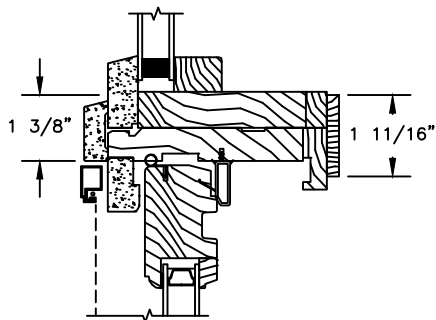
VERTICAL MULLION
OPERATOR/OPERATOR



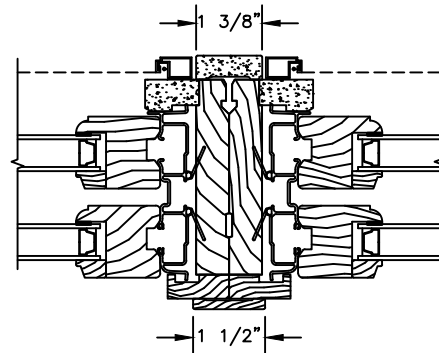
VERTICAL MULLION
OPERATOR/PICTURE



VERTICAL MULLION WITH
2" SPREAD MULL
OPERATOR/OPERATOR
ADDITIONAL WIDTHS INCLUDE:
1" - 5"



SLIMLINE HORIZONTAL
MULLION
RADIUS/OPERATOR



SLIMLINE VERTICAL
MULLION
OPERATOR/OPERATOR



Pinnacle Series

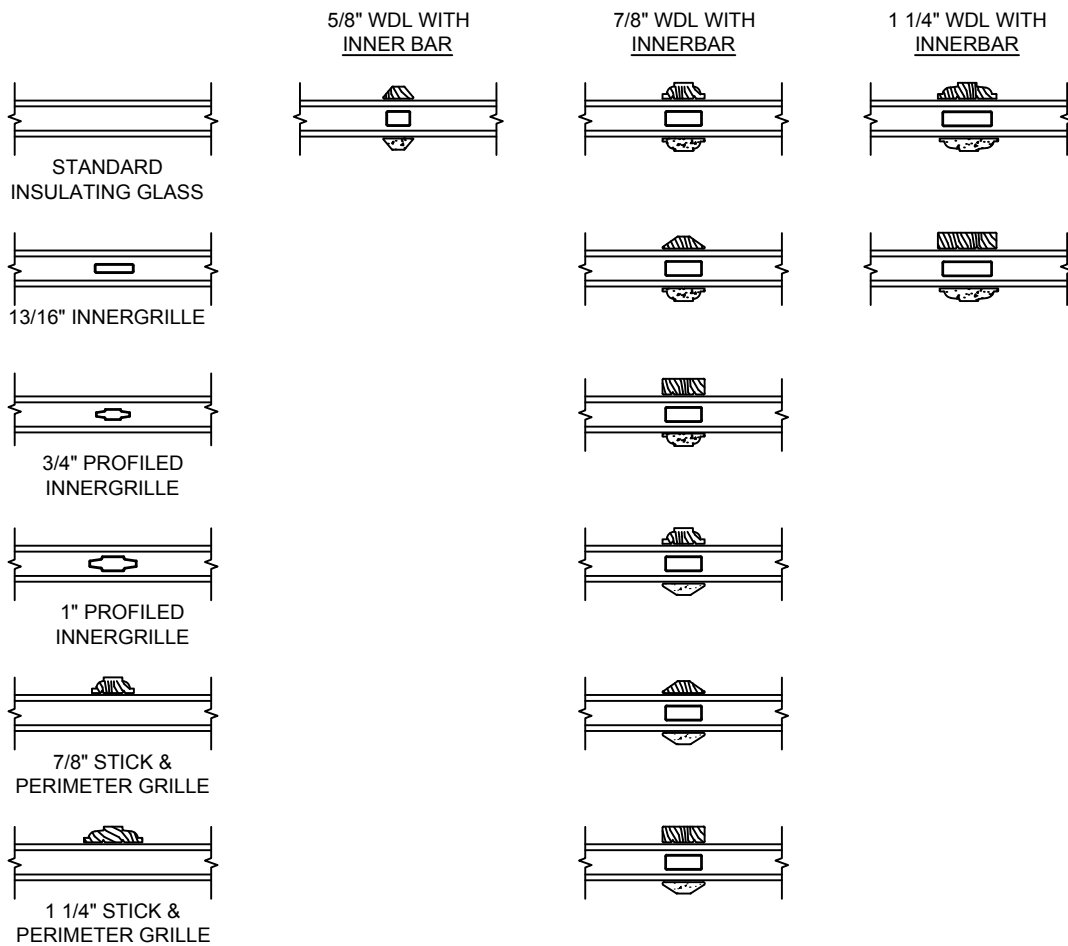
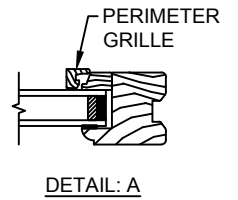
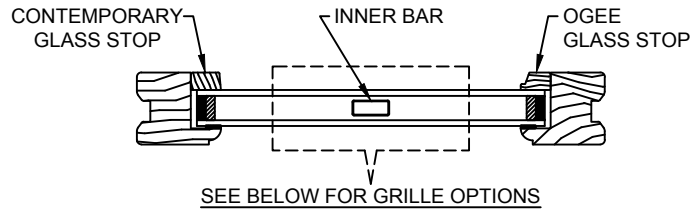
PRIMED DOUBLE HUNG

SECTION DETAILS : GLASS STOP & DIVIDED LITE OPTIONS

SCALE: 3" = 1'-0"

AVAILABLE STYLES

-  - PUTTY
-  - OGEE
-  - CONTEMPORARY



NOTE:

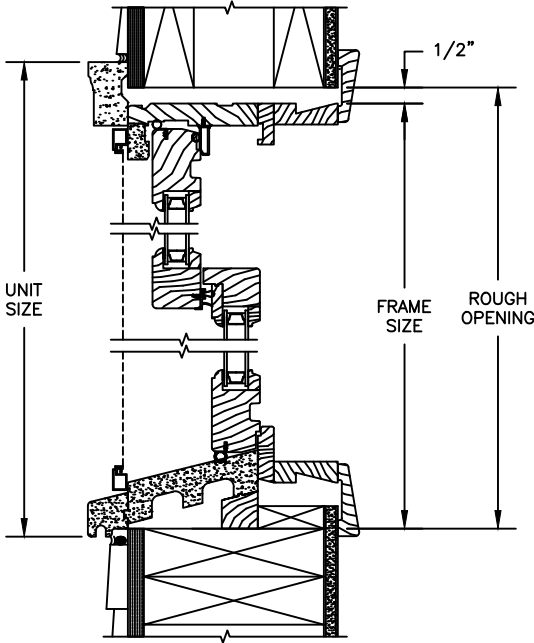
* ALL WDL OPTIONS CAN BE ORDERED WITH OR WITHOUT INNER BAR

* PERIMETER GRILLES ONLY AVAILABLE IN THE 7/8" AND 1 1/4" OGEE STYLE GLASS STOP (SEE DETAIL: A)

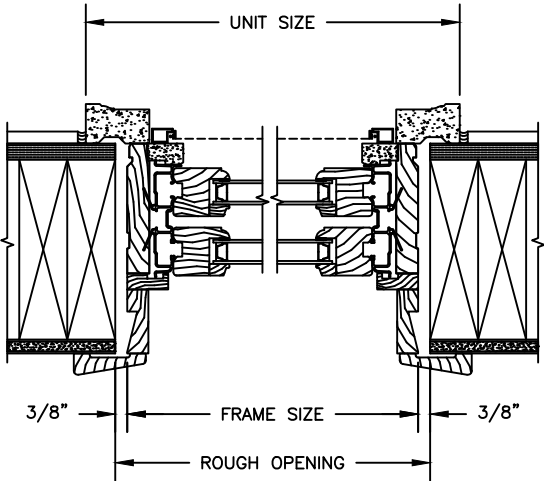
Pinnacle Series

PRIMED DOUBLE HUNG

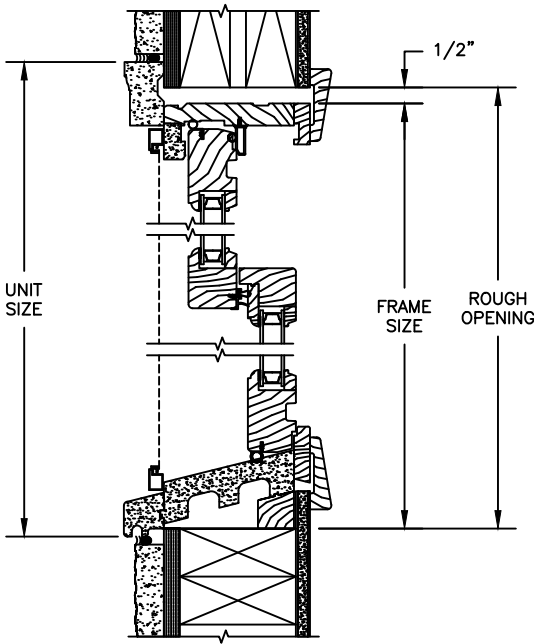
SECTION DETAILS : CONSTRUCTION
 SCALE: 2" = 1'-0"



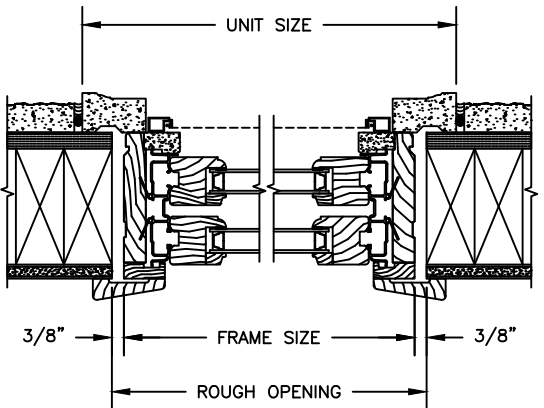
HEAD JAMB & SILL
 2 X 6 FRAME WITH SIDING



JAMBS
 2 X 6 FRAME WITH SIDING



HEAD JAMB & SILL
 2 X 4 FRAME WITH STUCCO



JAMBS
 2 X 4 FRAME WITH STUCCO

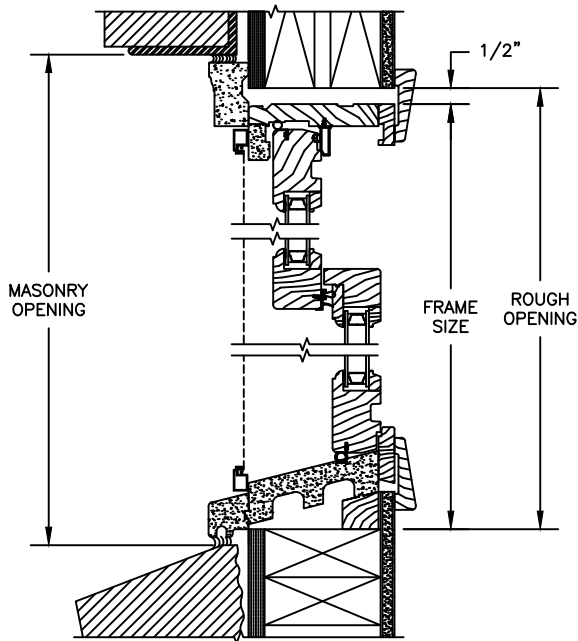
NOTE :
 THE ABOVE WALL SECTIONS REPRESENT TYPICAL WALL CONDITIONS, THESE DETAILS ARE NOT INTENDED AS INSTALLATIONS INSTRUCTIONS. PLEASE REFER TO THE INSTALLATION INSTRUCTIONS PROVIDED WITH THE PURCHASED UNITS.

Pinnacle Series

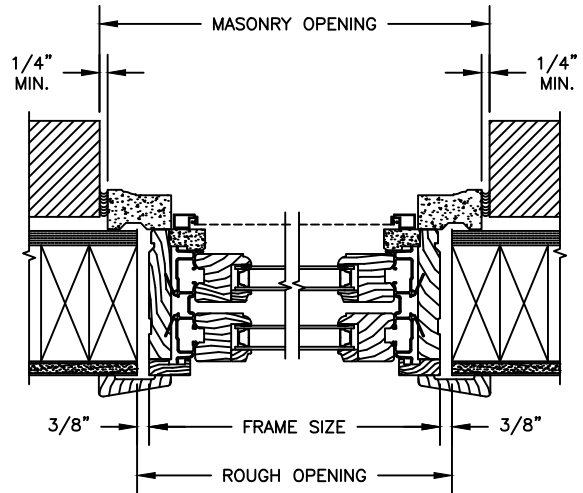
PRIMED DOUBLE HUNG

SECTION DETAILS : CONSTRUCTION

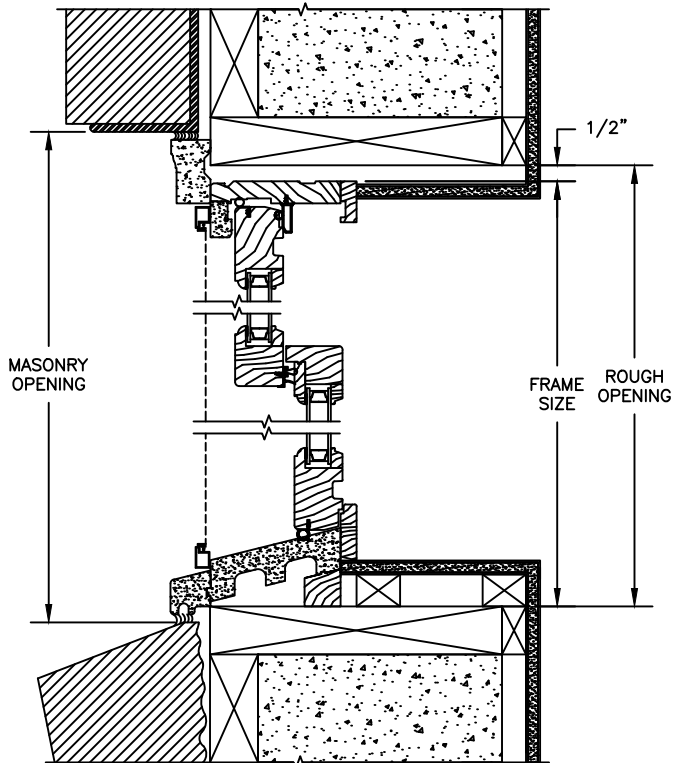
SCALE: 2" = 1'-0"



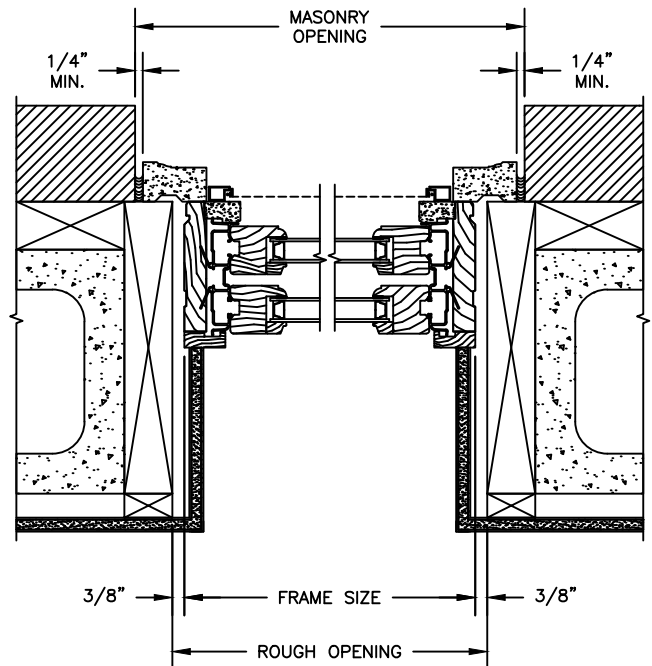
HEAD JAMB & SILL
2 X 4 FRAME WITH BRICK VENEER



JAMBS
2 X 4 FRAME WITH BRICK VENEER



HEAD JAMB & SILL
8" CONCRETE BLOCK WALL
WITH BRICK VENEER



JAMBS
8" CONCRETE BLOCK WALL
WITH BRICK VENEER

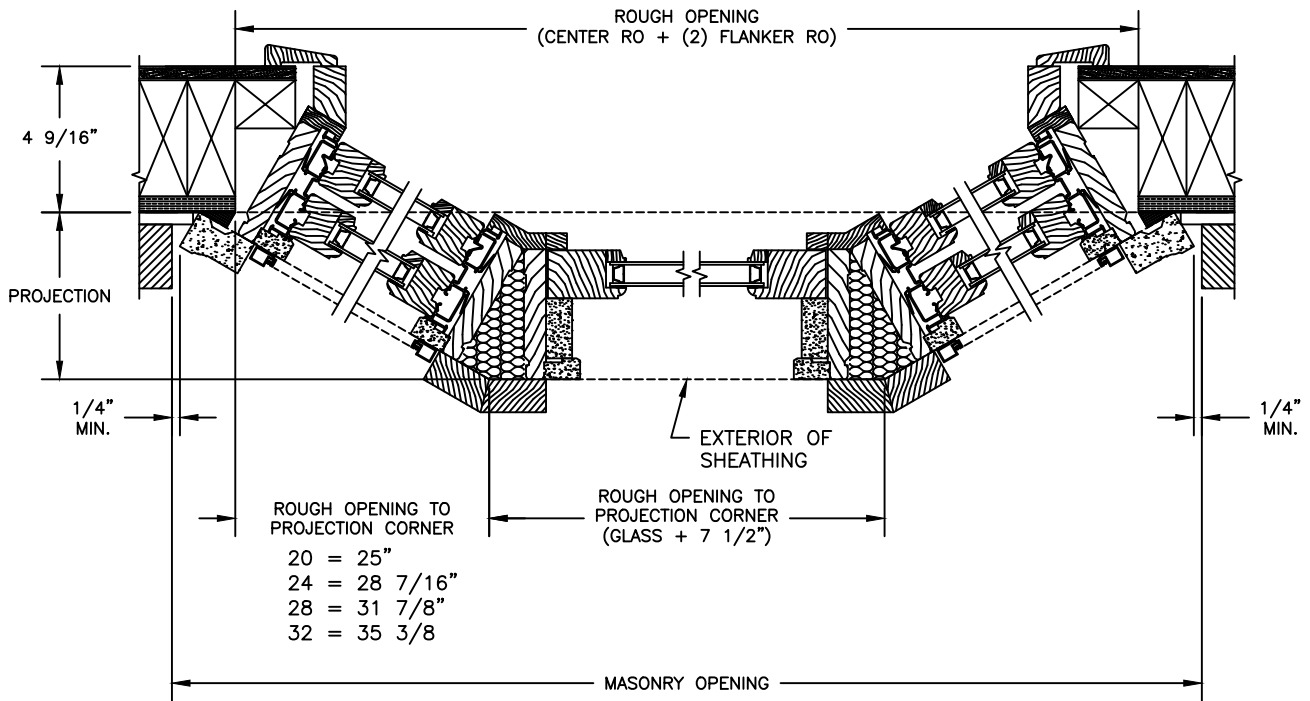
NOTE:
THE ABOVE WALL SECTIONS REPRESENT TYPICAL WALL CONDITIONS, THESE DETAILS ARE NOT INTENDED AS INSTALLATION INSTRUCTIONS. PLEASE REFER TO THE INSTALLATION INSTRUCTIONS PROVIDED WITH THE PURCHASED UNITS.

Pinnacle Series

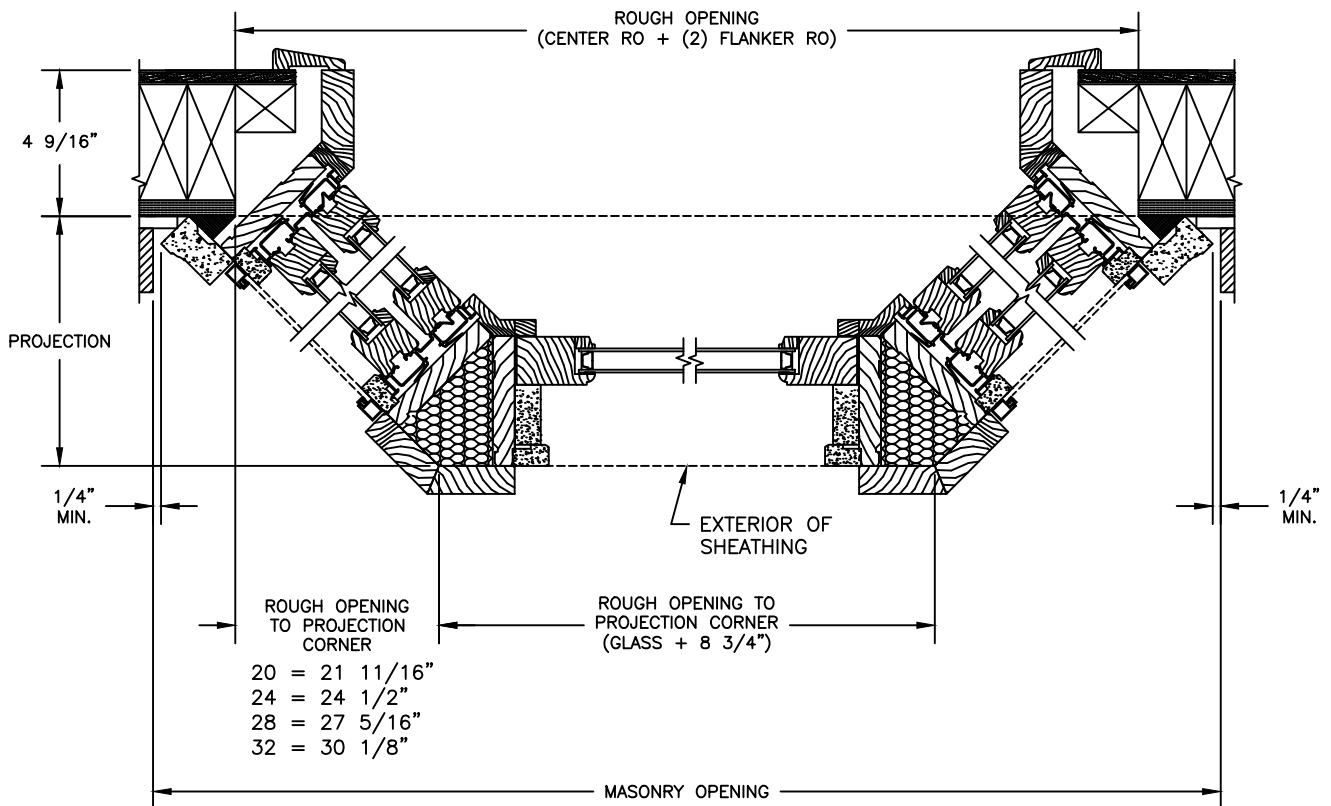
PRIMED DOUBLE HUNG

SECTION DETAILS : 30/45 DEGREES BAY

SCALE: 2" = 1'-0"



30 DEGREE BAY



45 DEGREE BAY