

Pinnacle Series

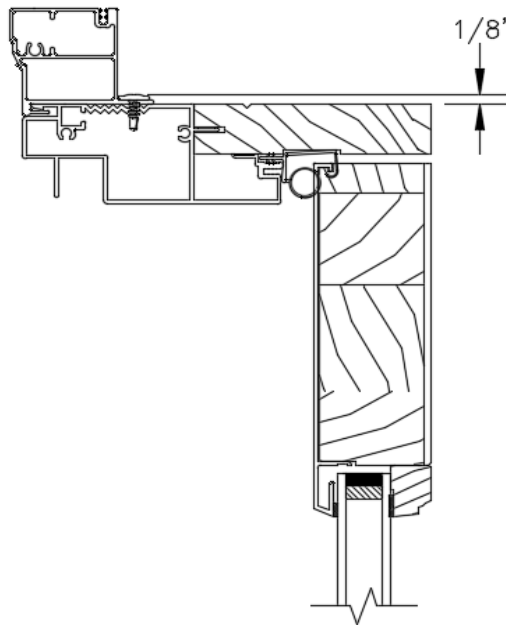
CLAD PATIO DOOR - INSWING

MEASUREMENT CONVERSIONS

STANDARD (NO CASING)															
Size Referenced	Daylite Opening		Glass Size		Frame Size		Rough Opening		Unit Size		Masonry Opening				
Daylite Opening	Dimension Needed														
	Width		+ 1 1/4	Width		+ 11 1/2	Width		+ 12 1/4	Width		+ 11 1/2	Width		+ 12 1/4
Glass Size	Height		+ 1 1/4	Height		+ 16 7/8	Height		+ 17 3/8	Height		+ 16 7/8	Height		+ 17 3/8
	Width	- 1 1/4	Width		+ 10 1/4	Width		+ 11	Width		+ 10 1/4	Width		+ 11	
Frame Size	Height	- 1 1/4	Height		+ 15 5/8	Height		+ 16 1/8	Height		+ 15 5/8	Height		+ 16 1/8	
	Width	- 11 1/2	Width	- 10 1/4	Width		+ 3/4	Width		+ 0	Width		+ 3/4		
Rough Opening	Height	- 16 7/8	Height	- 15 5/8	Height		+ 1/2	Height		+ 0	Height		+ 1/2		
	Width	- 12 1/4	Width	- 11	Width	- 3/4	Width		+ 3/4	Width		- 3/4	Width		+ 0
Unit Size	Height	- 17 3/8	Height	- 16 1/8	Height	- 1/2	Height		- 1/2	Height		+ 0	Height		+ 0
	Width	- 11 1/2	Width	- 10 1/4	Width	+ 0	Width		+ 3/4	Width		+ 3/4	Width		+ 3/4
Masonry Opening	Height	- 16 7/8	Height	- 15 5/8	Height	+ 0	Height		+ 1/2	Height		+ 1/2	Height		+ 1/2
	Width	- 12 1/4	Width	- 11	Width	- 3/4	Width		+ 0	Width		- 3/4	Width		+ 0
Masonry Opening	Height	- 17 3/8	Height	- 16 1/8	Height	- 1/2	Height		+ 0	Height		- 1/2	Height		+ 0

FRAME TO UNIT ADDERS

WM180 Brickmould	+ 2 13/16	Width
	+ 1 13/32	Height
Williamsburg Casing	+ 6 1/2	Width
	+ 3 1/4	Height
3 1/2" Flat Casing	+ 5 7/8	Width
	+ 2 15/16	Height



NOTE: RIGID NAIL FIN AND ALL CASING OPTIONS ARE APPLIED WITH SCREWS THAT SLIGHTLY PROTRUDE INTO ROUGH OPENING BY 1/8". THESE SCREWS ARE NOT INCLUDED IN ROUGH OPENING CALCULATIONS.

NOTE: ADD 3/4" TO UNIT WIDTH AND 1/2" TO UNIT HEIGHT TO CALCULATE MASONRY OPENING.