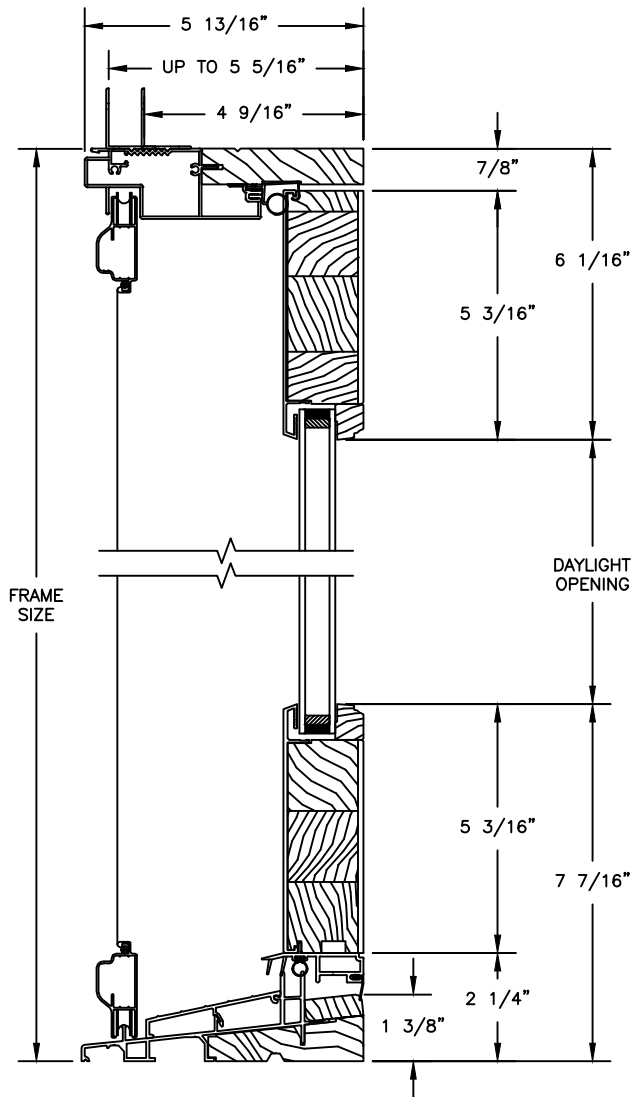


Pinnacle Series

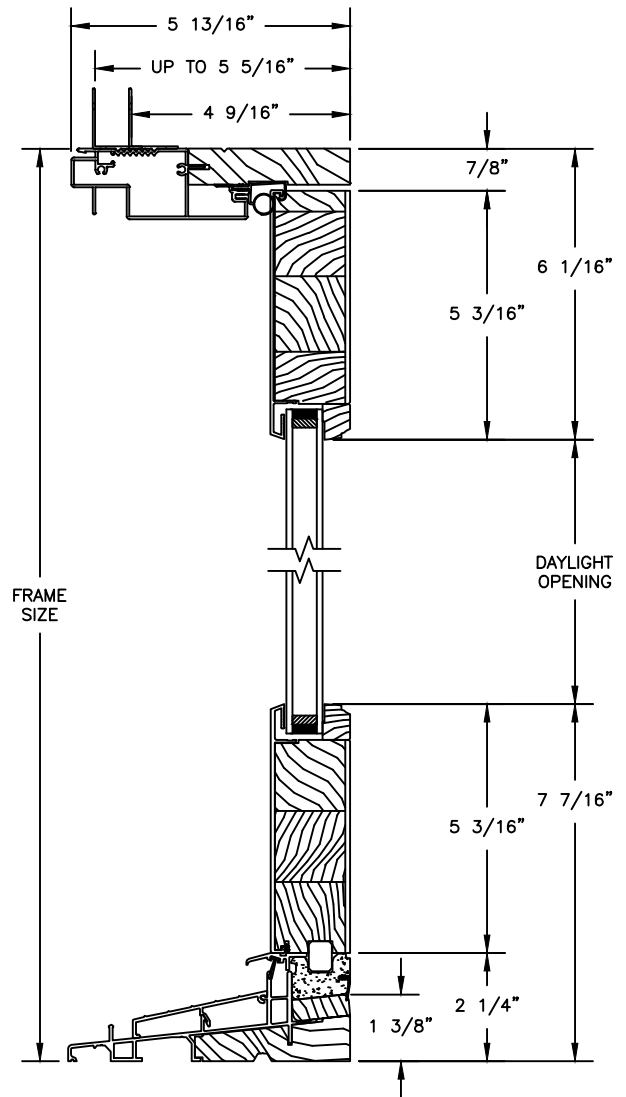
CLAD PATIO DOOR - NARROW INSWING

SECTION DETAILS 4 9/16" TO 5 5/16" JAMB

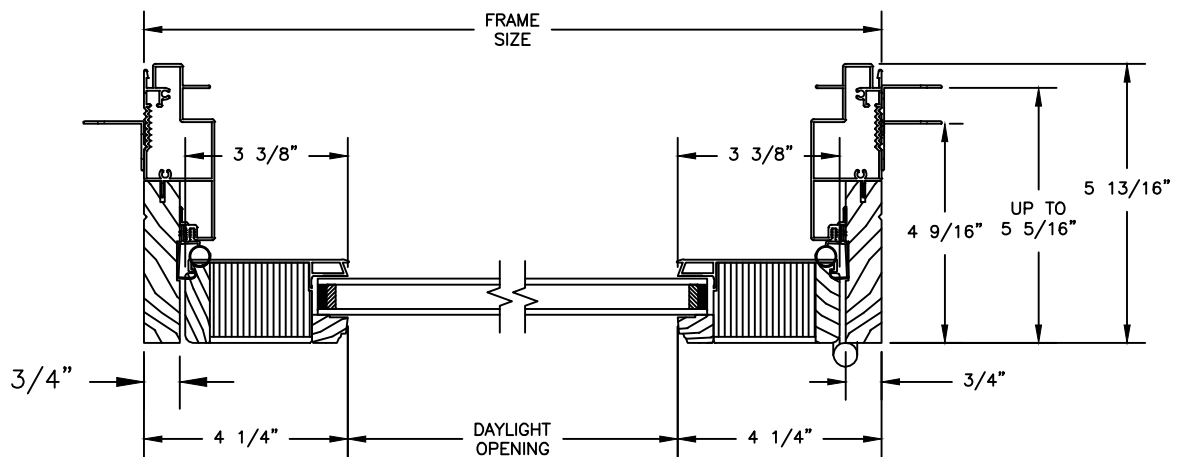
SCALE: 3" = 1'-0"



OPERATING HEAD JAMB & SILL



STATIONARY HEAD JAMB & SILL



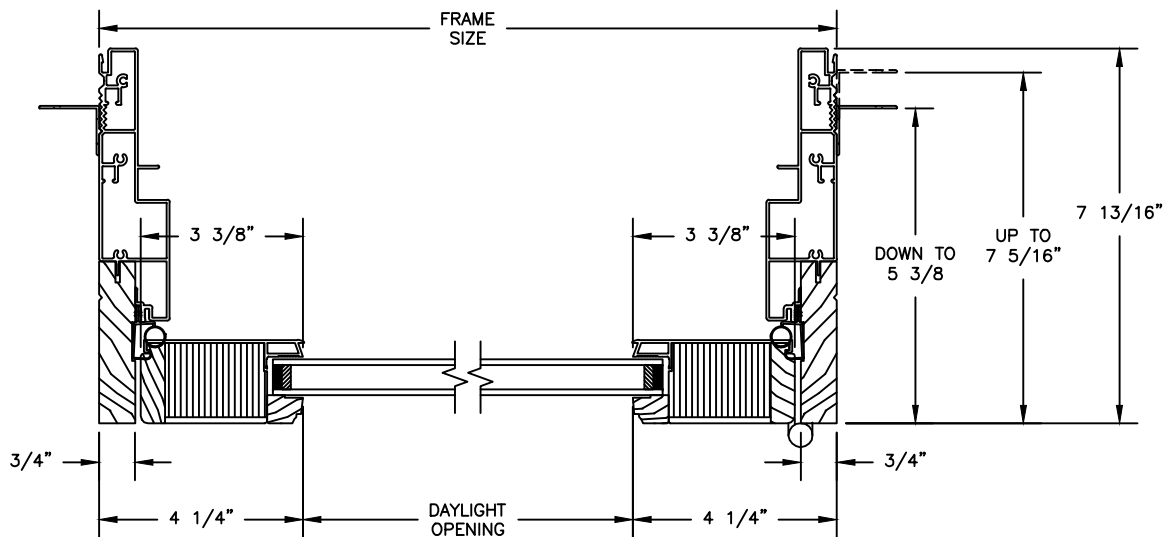
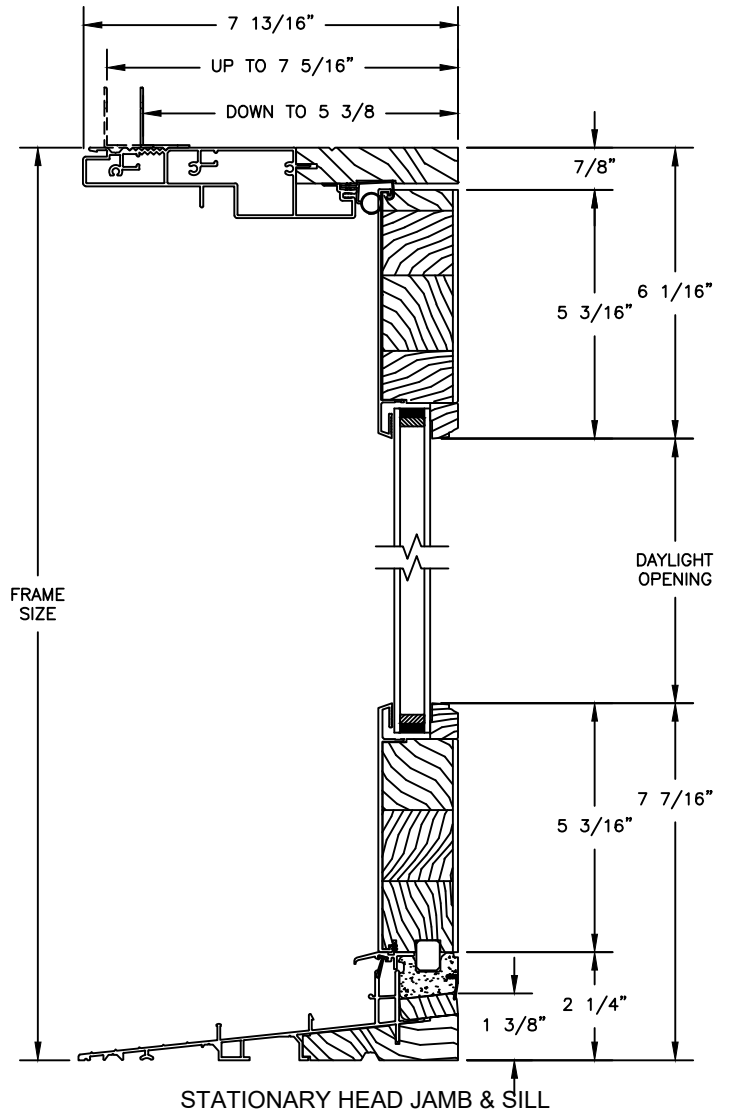
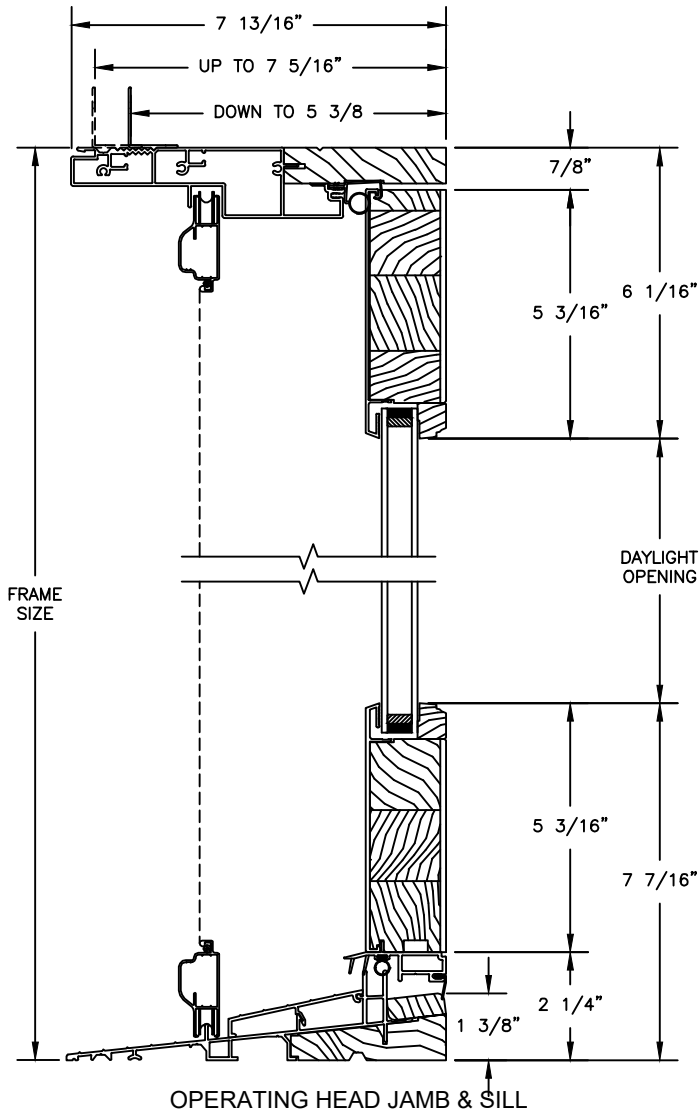
1 PANEL JAMB

Pinnacle Series

CLAD PATIO DOOR - NARROW INSWING

SECTION DETAILS 5 3/8" TO 7 5/16" JAMB

SCALE: 3" = 1'-0"

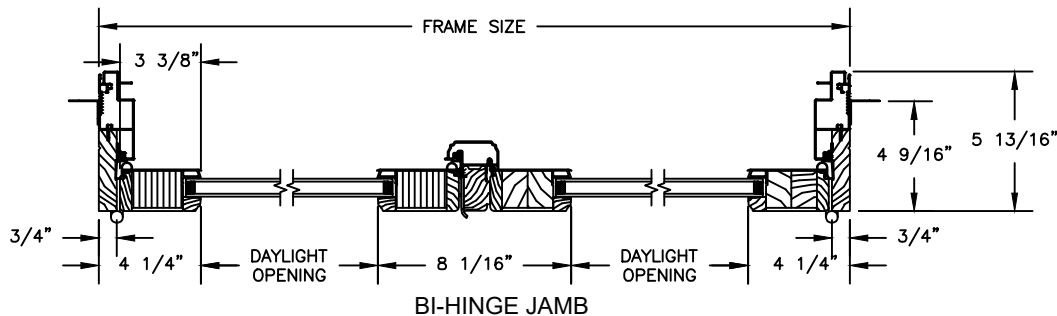
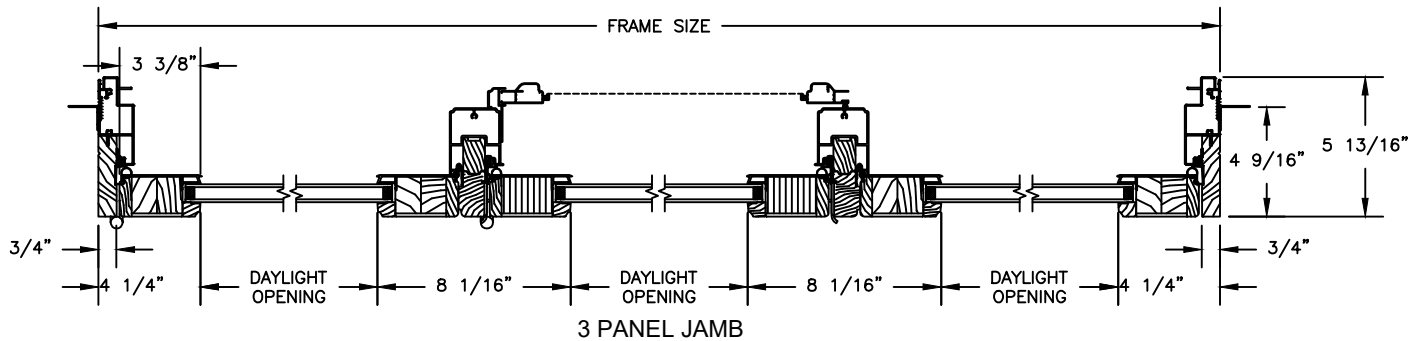
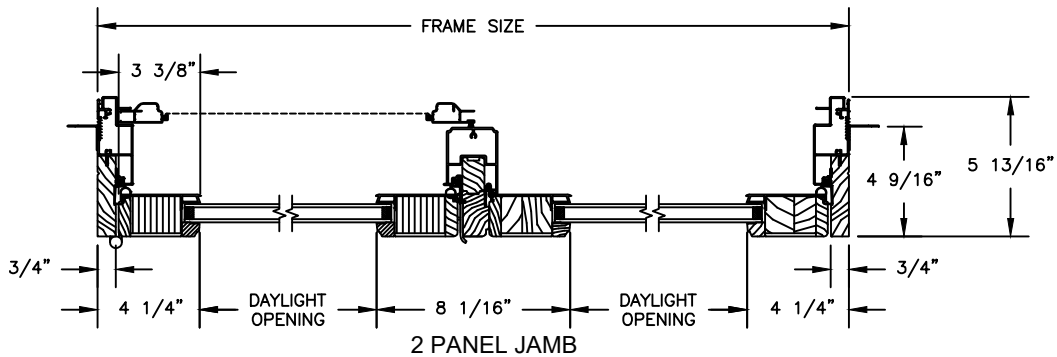
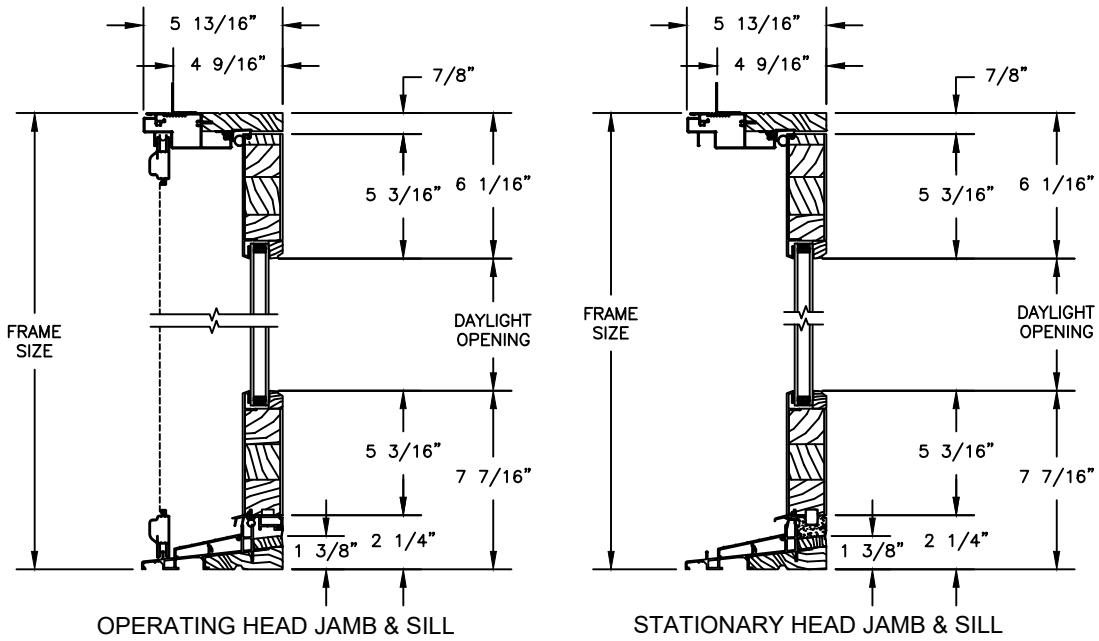


Pinnacle Series

CLAD PATIO DOOR - NARROW INSWING

SECTION DETAILS

SCALE: 1 1/2" = 1'-0"

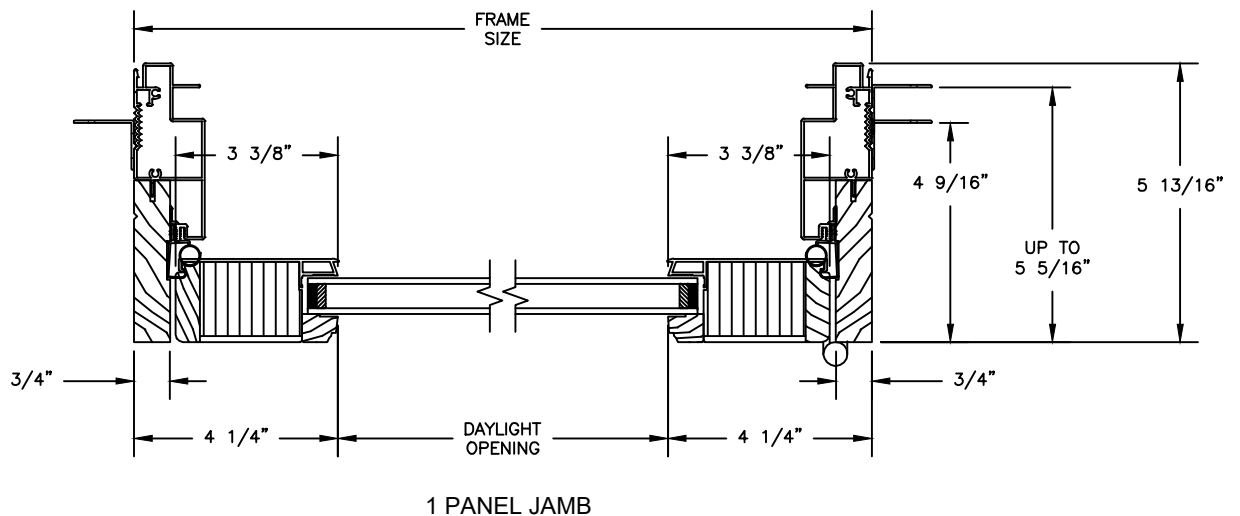
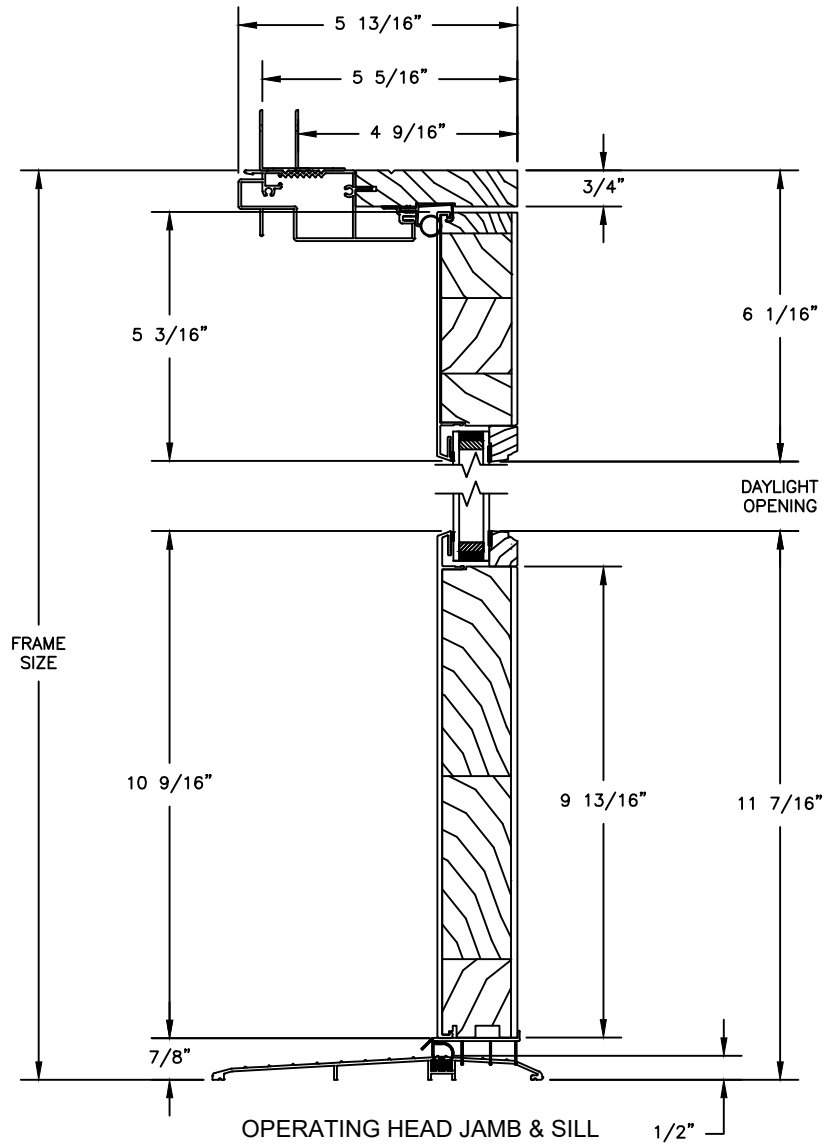


Pinnacle Series

CLAD PATIO DOOR - NARROW INSWING

SECTION DETAILS: 4 9/16" JAMB HANDICAP SILL & 10" BOTTOM RAIL

SCALE: 3" = 1'-0"

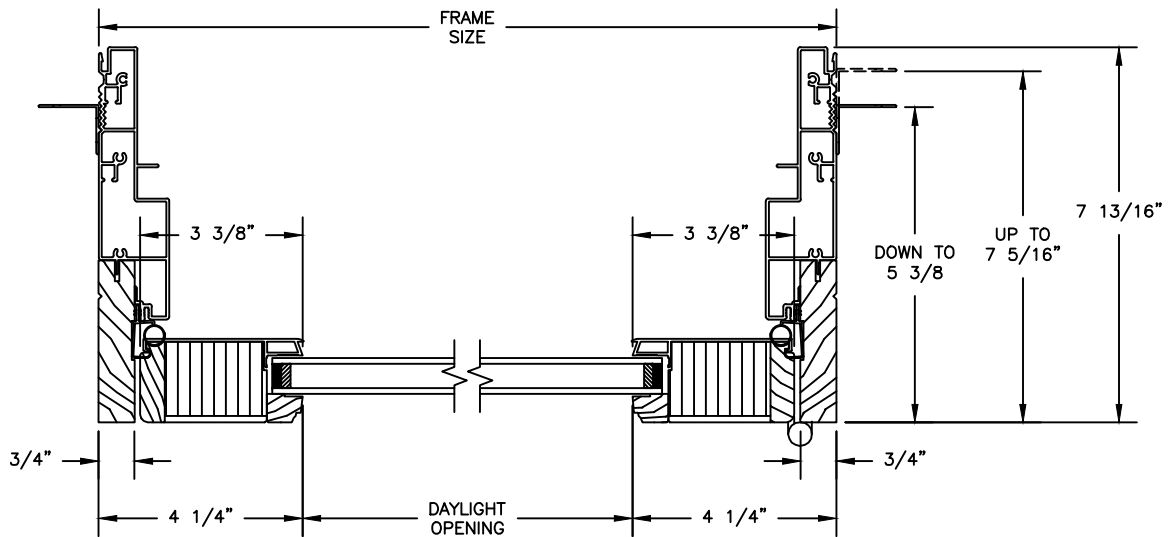
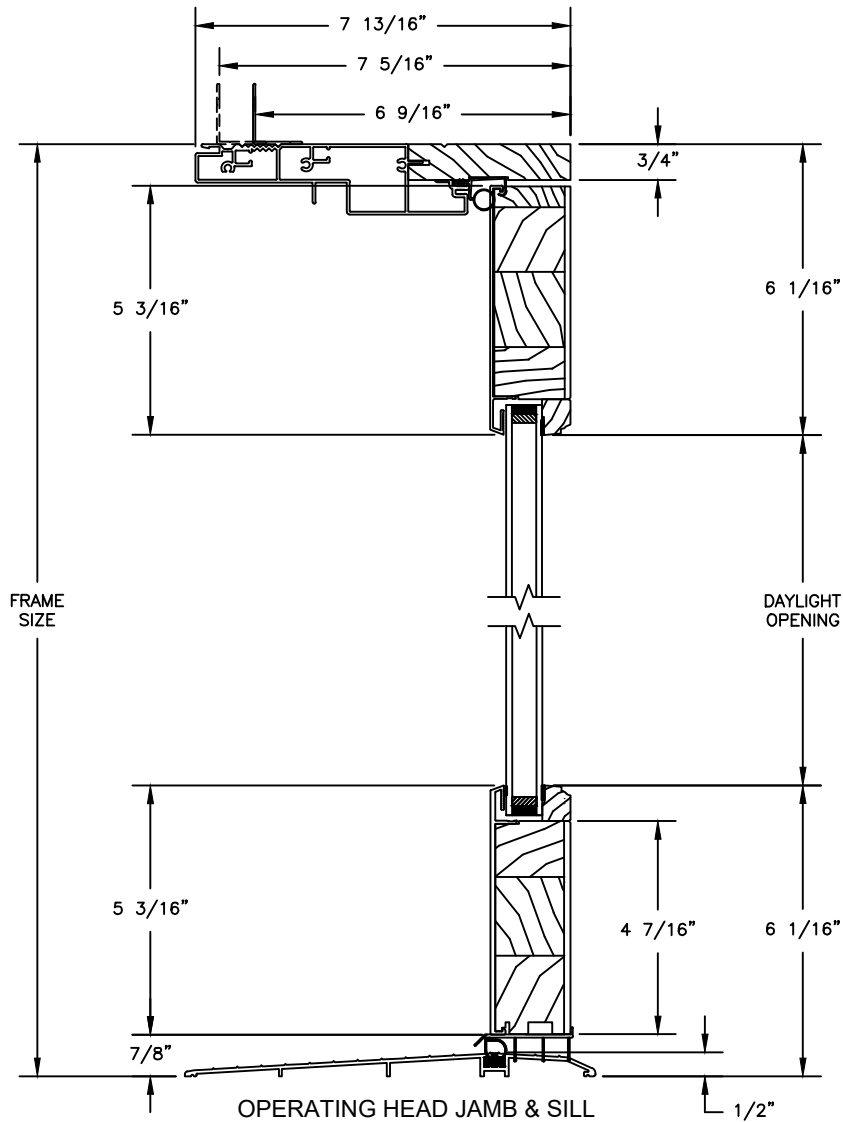


1 PANEL JAMB

Pinnacle Series

CLAD PATIO DOOR - NARROW INSWING

SECTION DETAILS: 6 9/16" JAMB HANDICAP SILL & 10" BOTTOM RAIL
 SCALE: 3" = 1'-0"



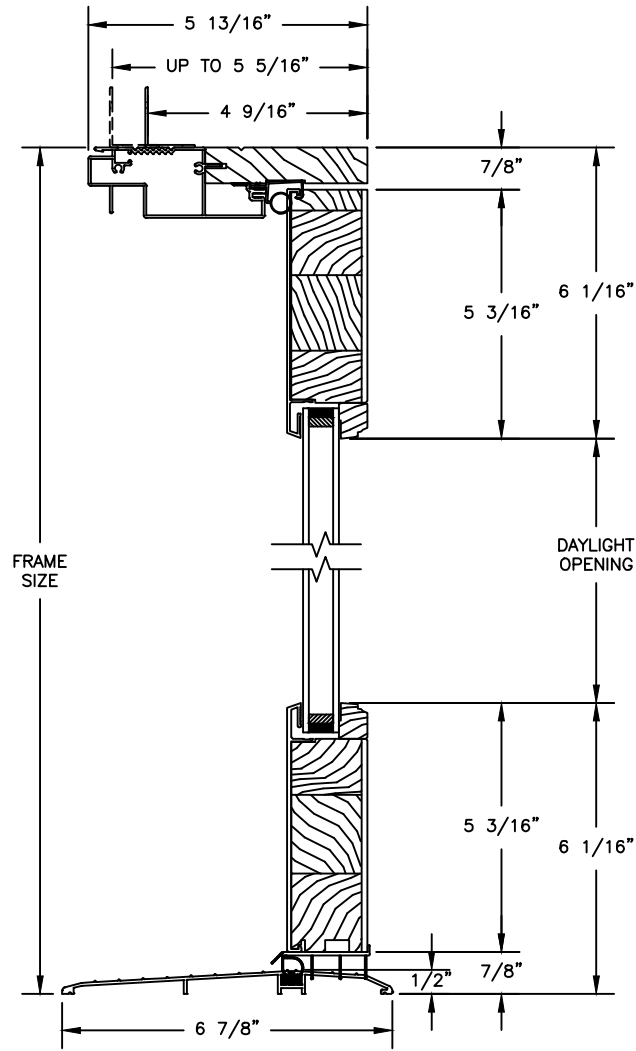
1 PANEL JAMB

Pinnacle Series

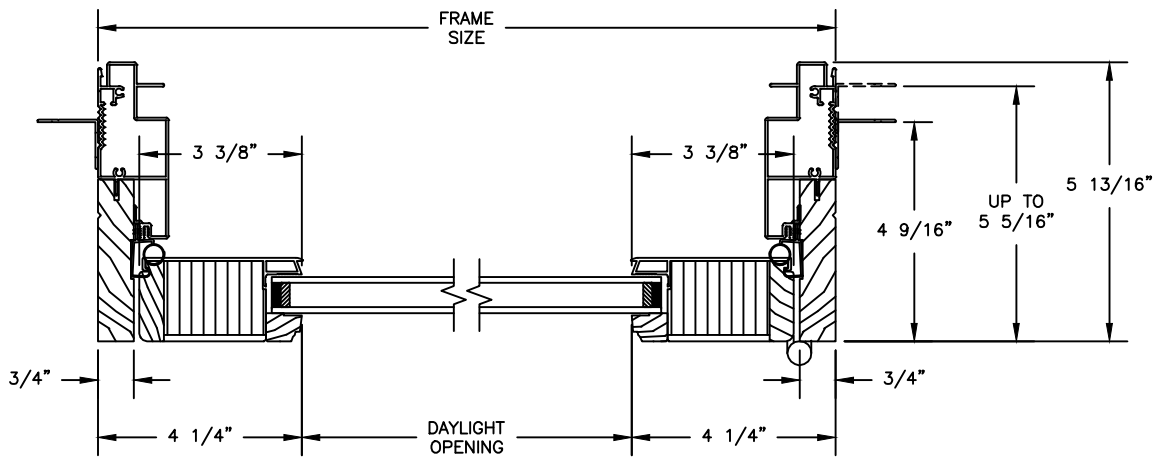
CLAD PATIO DOOR - NARROW INSWING

SECTION DETAILS: 4 9/16" JAMB WITH HANDICAP SILL

SCALE: 3" = 1'-0"



OPERATING HEAD JAMB & SILL



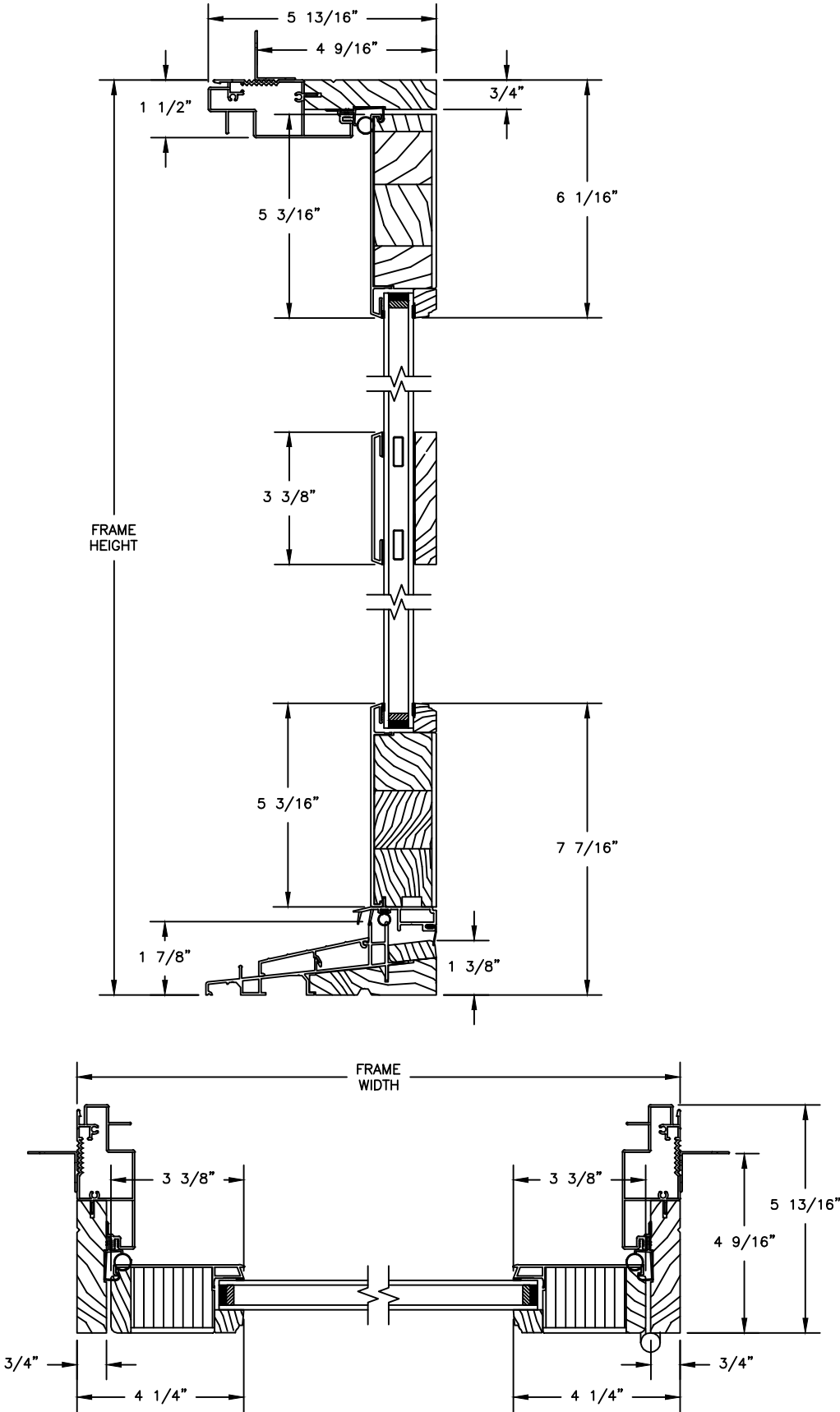
1 PANEL JAMB

Pinnacle Series

CLAD PATIO DOOR - NARROW INSWING

SECTION DETAILS: 4 9/16" JAMB WITH SIMULATED MIDRAIL

SCALE: 3" = 1'-0"



Pinnacle Series

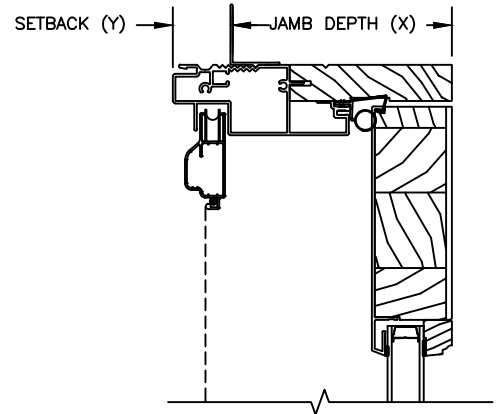
CLAD PATIO DOOR - NARROW INSWING

SECTION DETAILS: NARROW / WIDE JAMB SETBACK & JAMB DEPTHS

	JAMB DEPTH (X)	SETBACK (Y)
NARROW JAMB	4.583	1.250
	4.623	1.186
	4.688	1.125
	4.751	1.063
	4.813	1.000
	4.876	.938
	4.938	.875
	5.001	.813
	5.063	.750
	5.126	.688
	5.188	.625
	5.251	.563
	5.313	.500
	WIDE JAMB	5.375
5.438		2.375
5.500		2.312
5.563		2.250
5.625		2.187
5.688		2.125
5.750		2.062
5.813		2.000
5.875		1.937
5.938		1.875
6.000		1.812
6.063		1.750
6.125		1.687
6.188		1.625
6.250		1.562
6.313		1.500
6.375		1.437
6.438		1.375
6.500		1.312
6.563		1.250
6.625		1.187
6.688		1.125
6.750		1.062
6.813		1.000
6.875		.937
6.938		.875
7.000		.812
7.063		.750
7.125	.687	
7.188	.625	
7.250	.562	
7.313	.500	

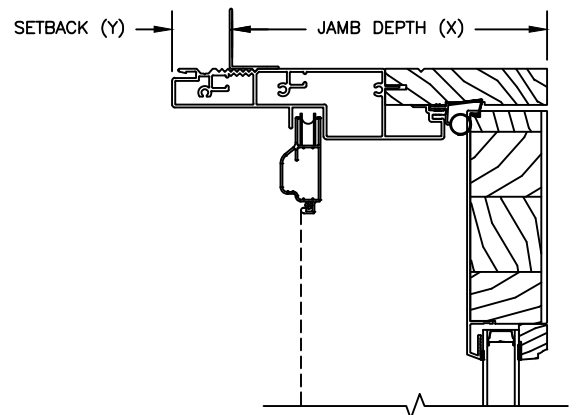
NARROW JAMB

(4 9/16" - 5 5/16")



WIDE JAMB

(5 3/8" - 7 1/4")



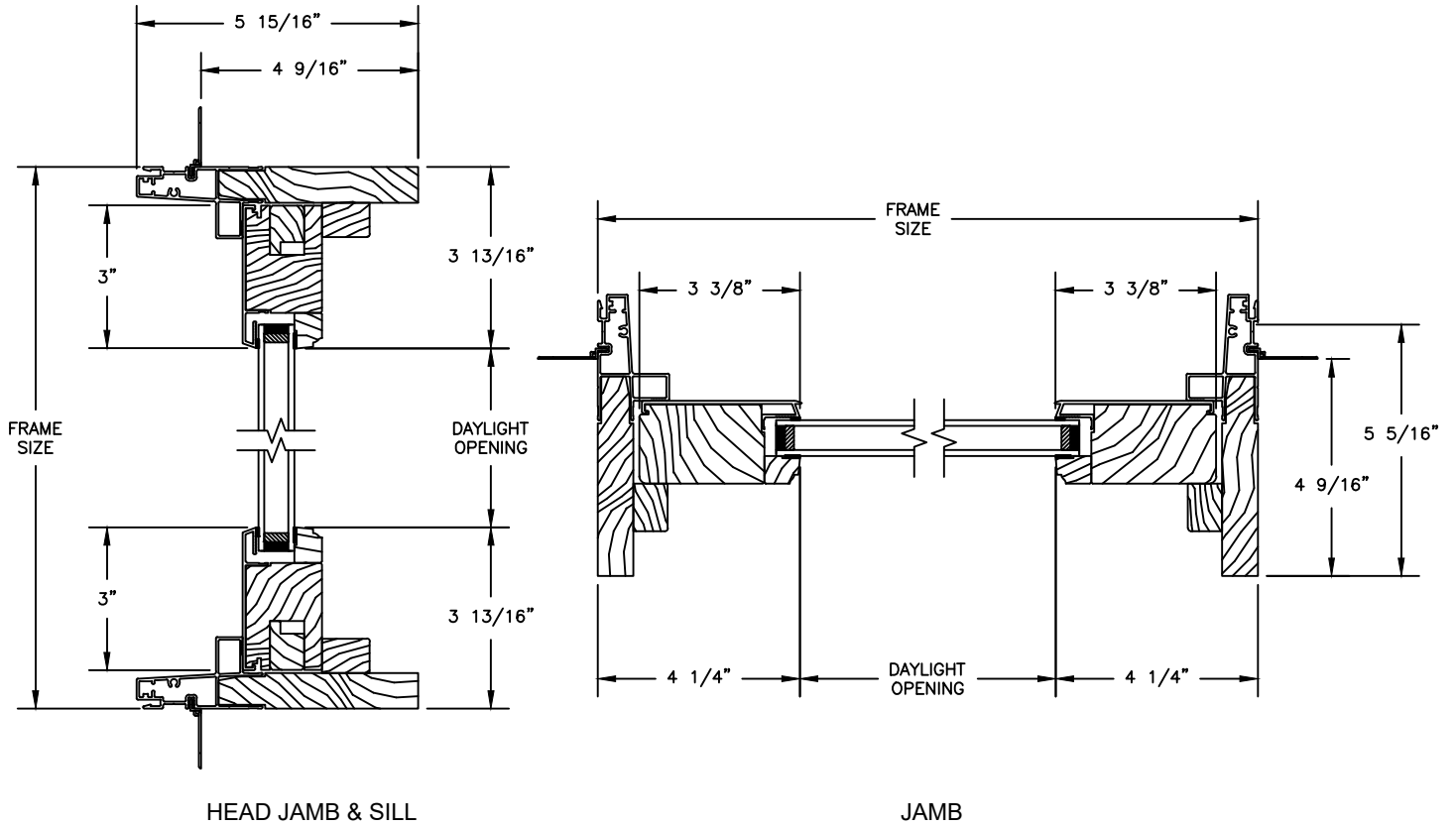
STANDARD JAMB DEPTHS: 4 9/16" | 5 1/4" | 6 9/16" | 7 1/4"

Pinnacle Series

CLAD PATIO DOOR - NARROW SWING

SECTION DETAILS: TRANSOM

SCALE: 3" = 1'-0"

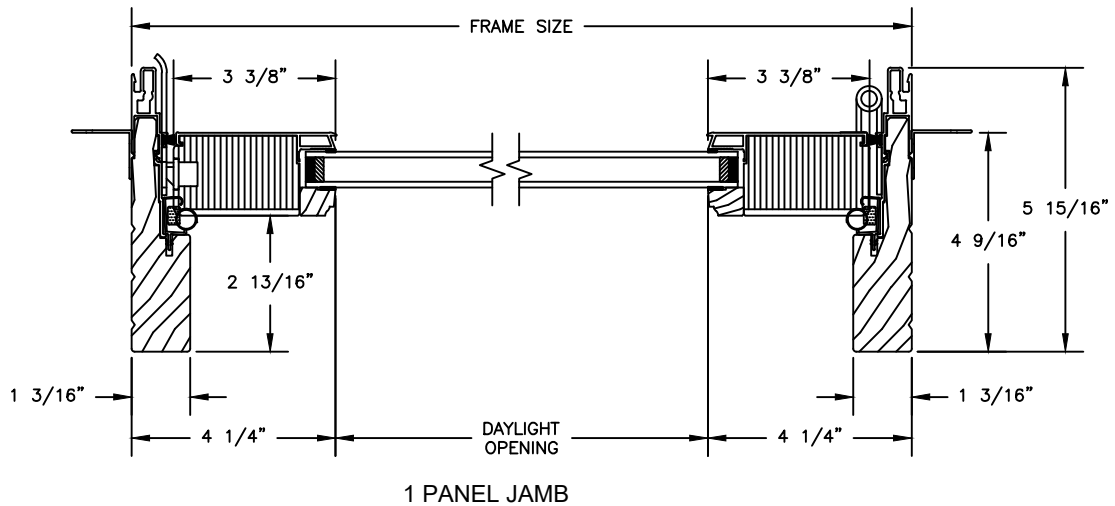
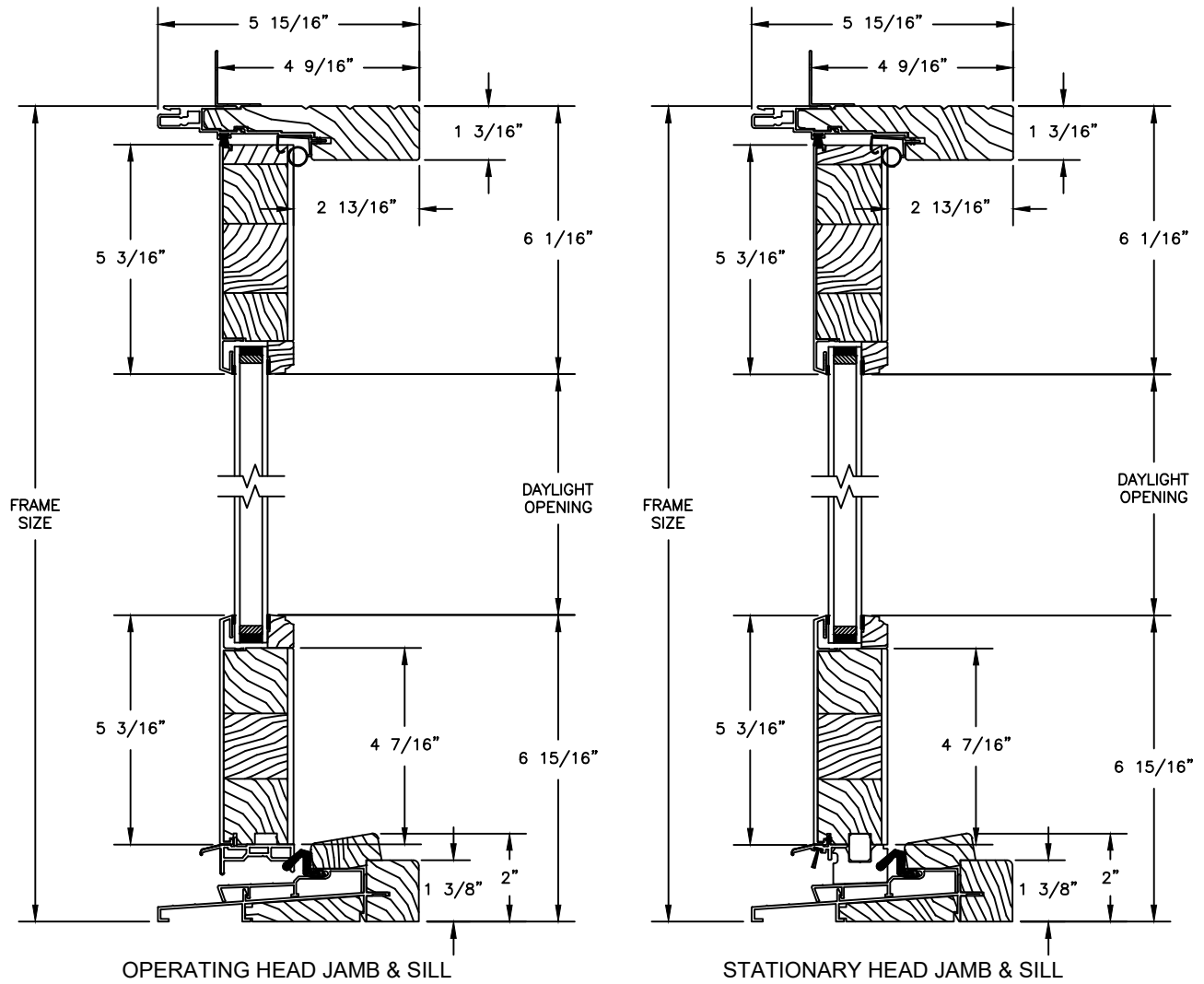


Pinnacle Series

CLAD PATIO DOOR - NARROW OUTSWING

SECTION DETAILS

SCALE: 3" = 1'-0"

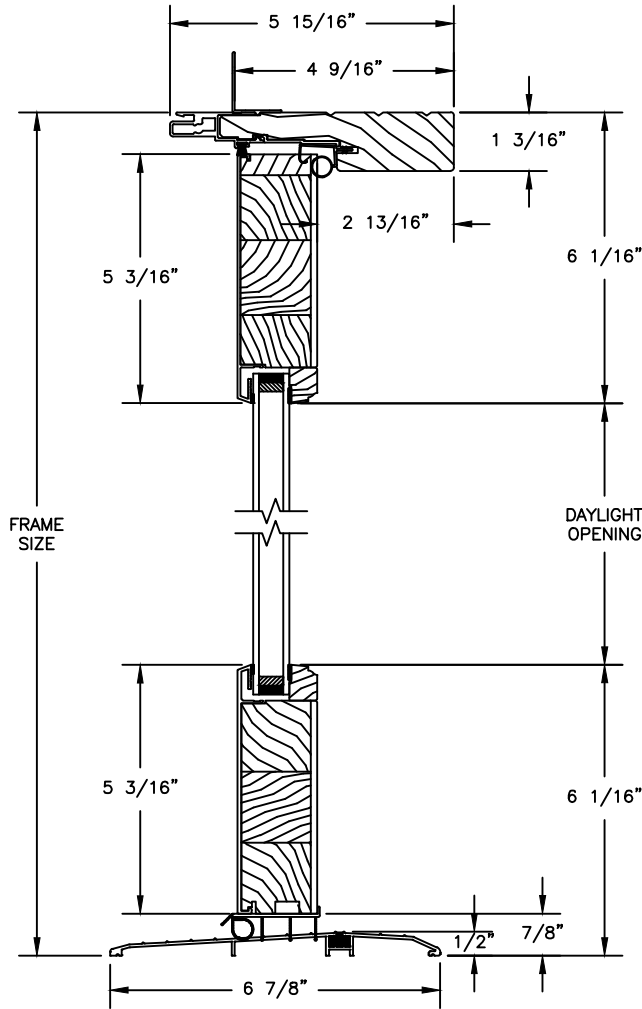


Pinnacle Series

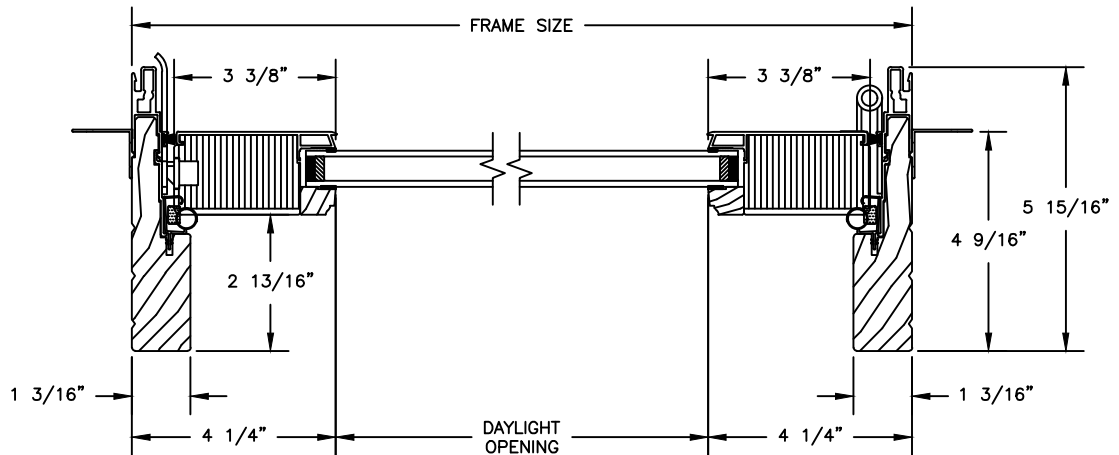
CLAD PATIO DOOR - NARROW OUTSWING

SECTION DETAILS: WITH HANDICAP SILL

SCALE: 3" = 1'-0"



OPERATING HEAD JAMB & SILL



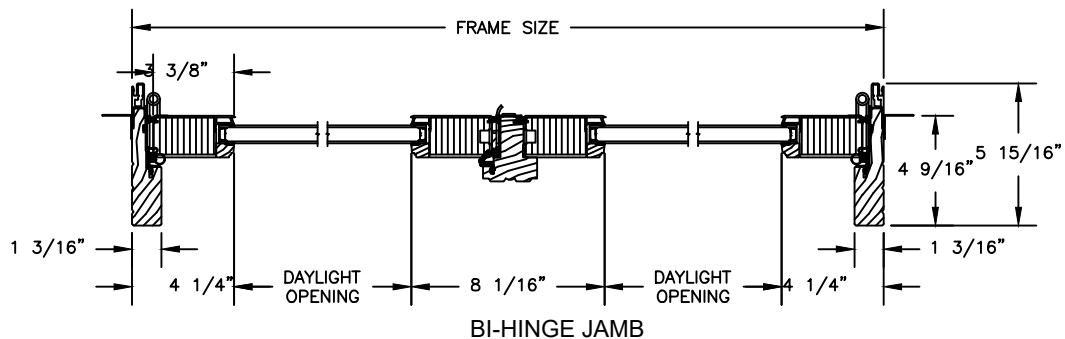
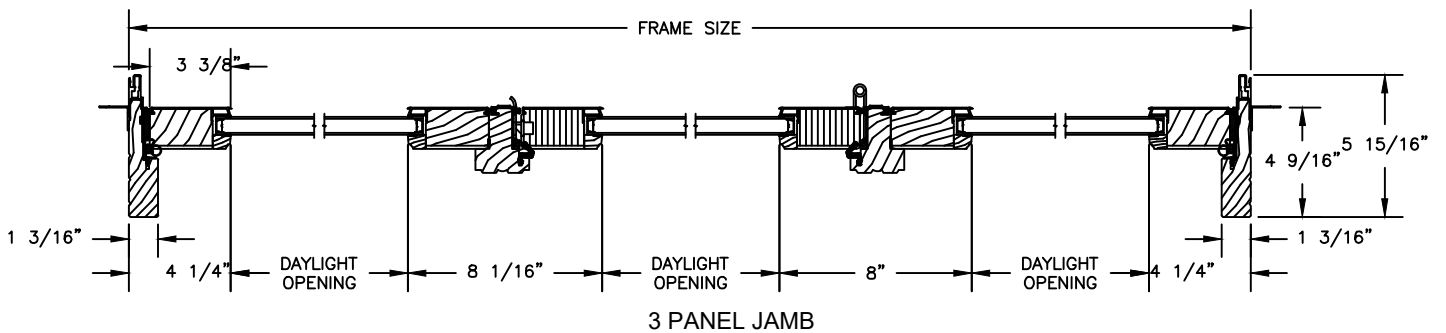
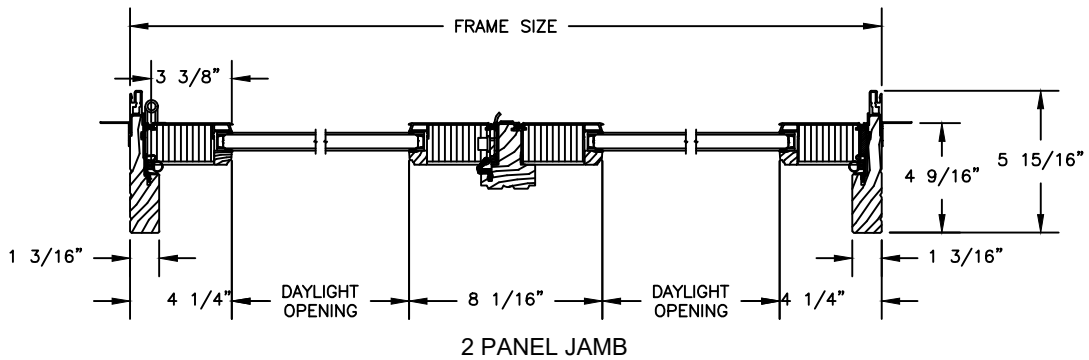
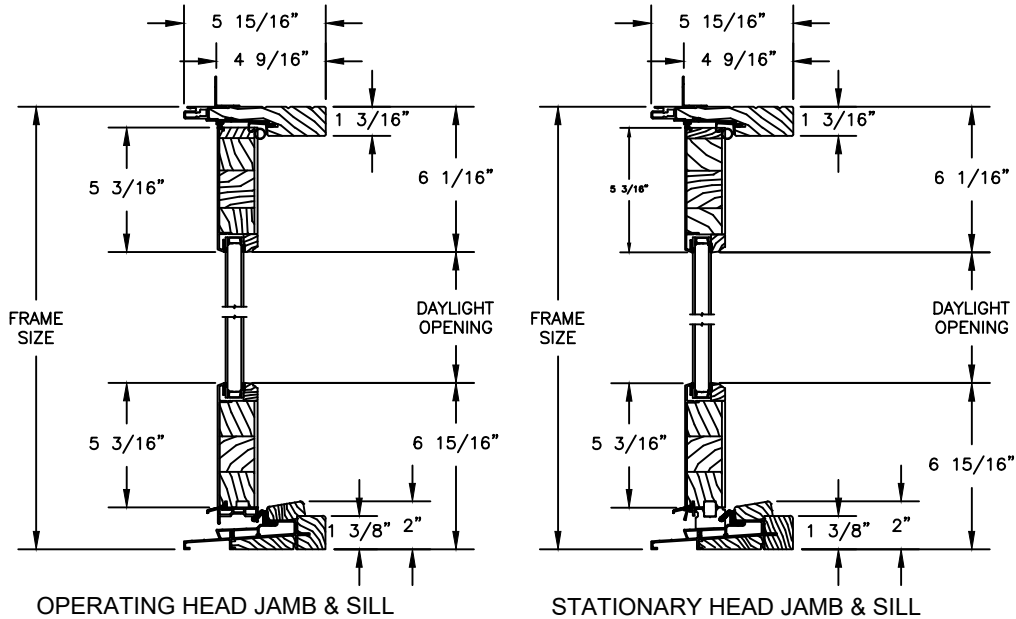
1 PANEL JAMB

Pinnacle Series

CLAD PATIO DOOR - NARROW OUTSWING

SECTION DETAILS

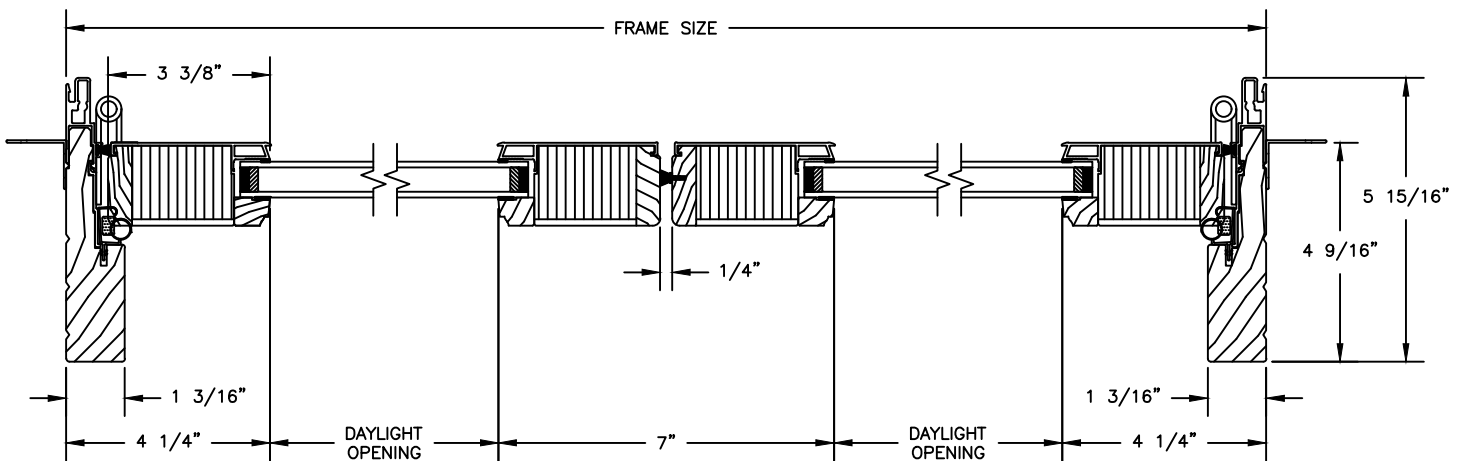
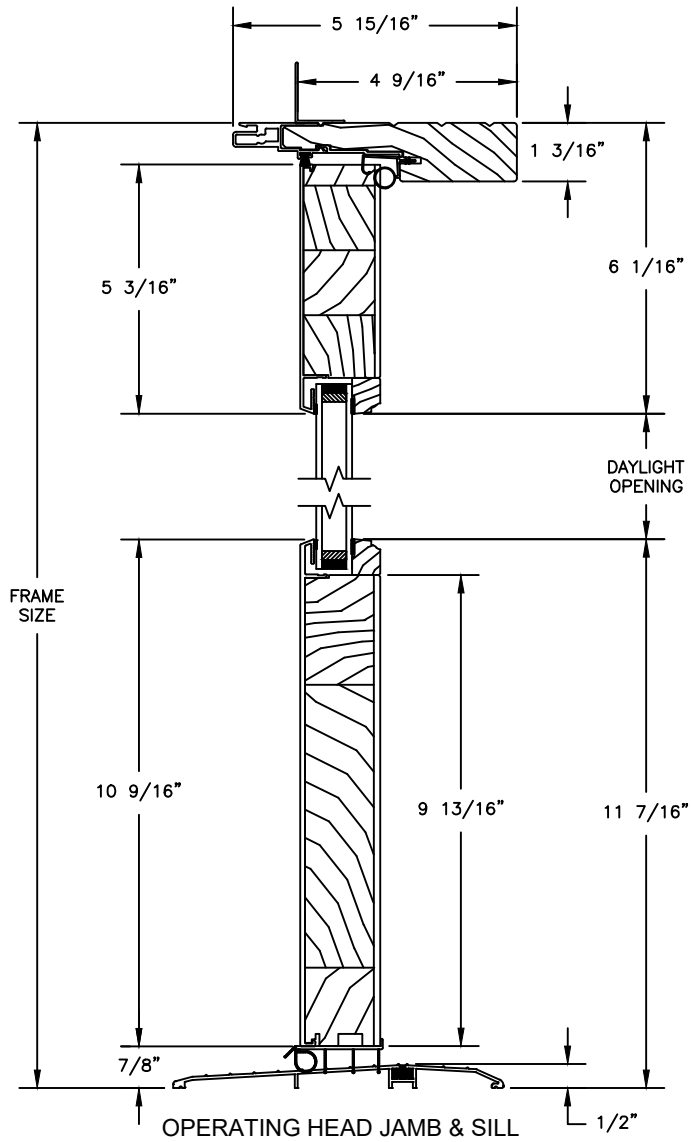
SCALE: 1 1/2" = 1'-0"



Pinnacle Series

CLAD PATIO DOOR - NARROW OUTSWING

SECTION DETAILS: HANDICAP SILL WITH NO ASTRAGAL & 10" BOTTOM RAIL
 SCALE: 3" = 1'-0"



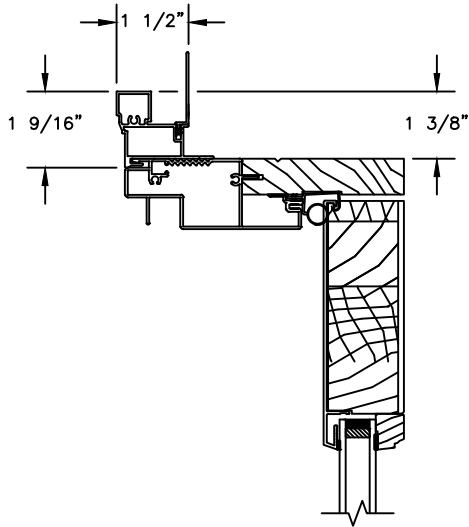
2 PANEL BI-HINGE JAMB WITH NO ASTRAGAL

Pinnacle Series

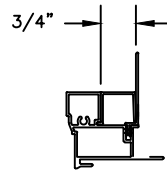
CLAD NARROW SWINGING PATIO DOOR

SECTION DETAILS : CASING OPTIONS

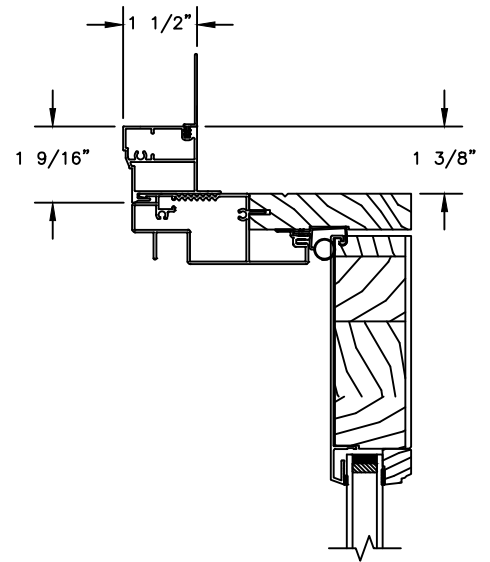
SCALE: 3" = 1'-0"



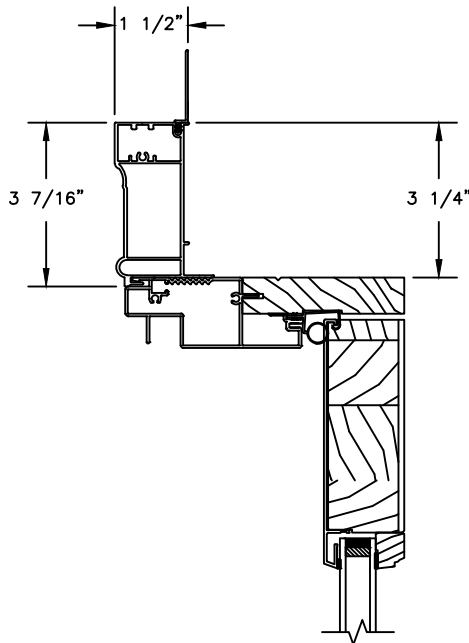
HEAD JAMB WITH
CLAD 180 BRICKMOULD CASING



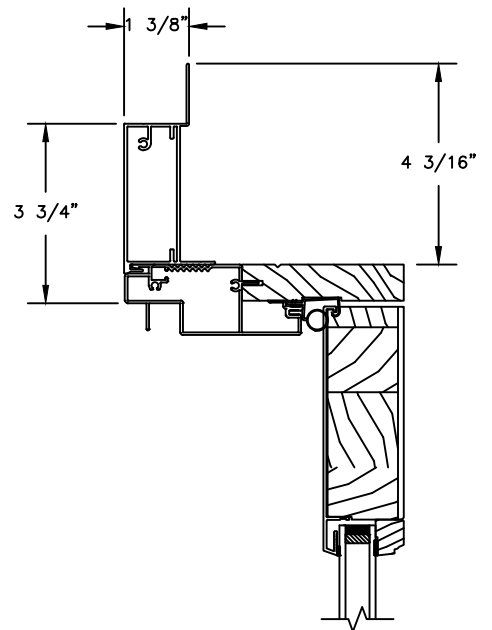
CLAD BRICKMOULD CASING
WITH OPTIONAL J-CHANNEL COVER



HEAD JAMB WITH
CLAD SQUARE BRICKMOULD CASING



HEAD JAMB WITH
CLAD WILLIAMSBURG CASING



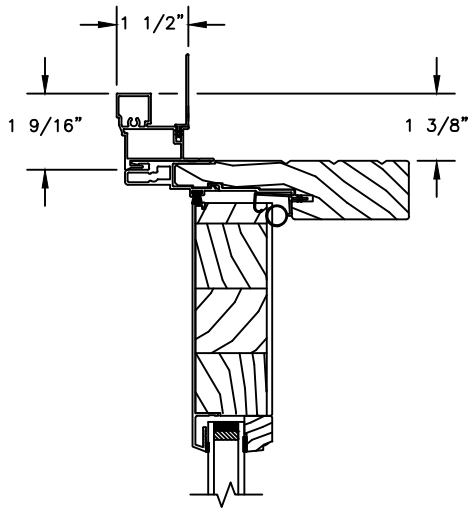
HEAD JAMB WITH
CLAD 3 1/2" FLAT CASING

Pinnacle Series

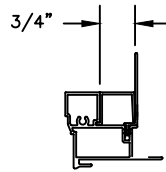
CLAD NARROW SWINGING PATIO DOOR

SECTION DETAILS : CASING OPTIONS

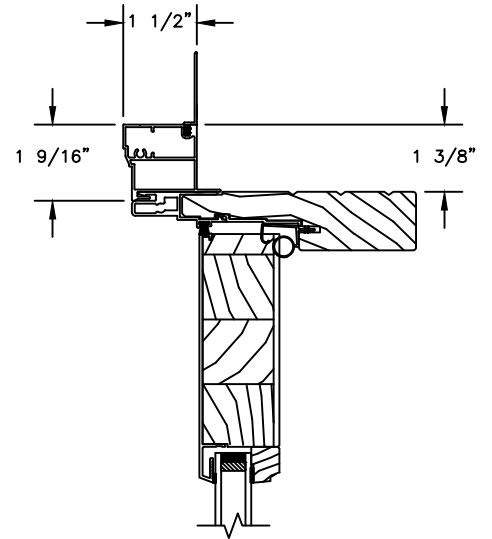
SCALE: 3" = 1'-0"



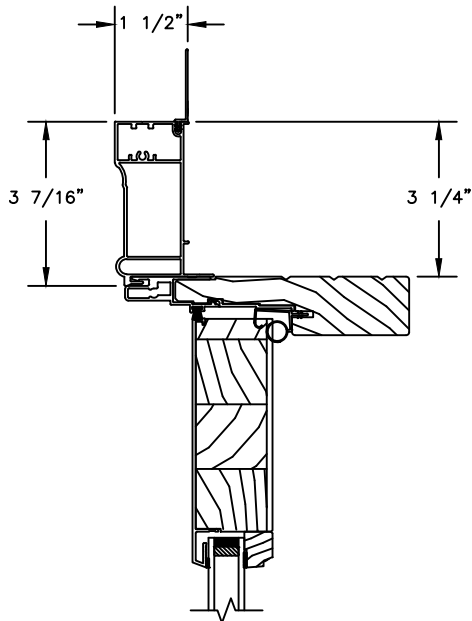
HEAD JAMB WITH
CLAD 180 BRICKMOULD CASING



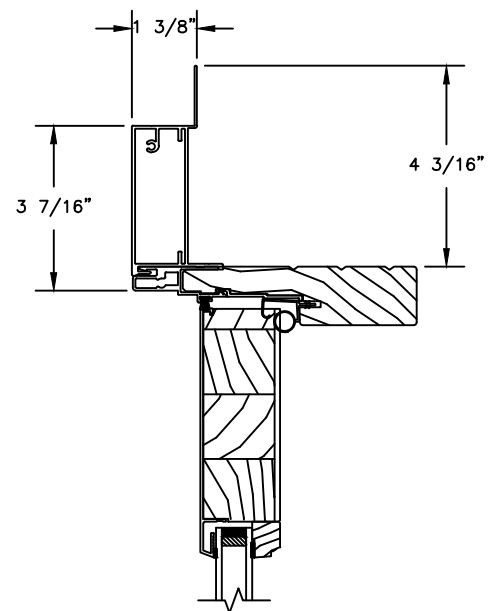
CLAD BRICKMOULD CASING
WITH OPTIONAL J-CHANNEL COVER



HEAD JAMB WITH
CLAD SQUARE BRICKMOULD CASING



HEAD JAMB WITH
CLAD WILLIAMSBURG CASING



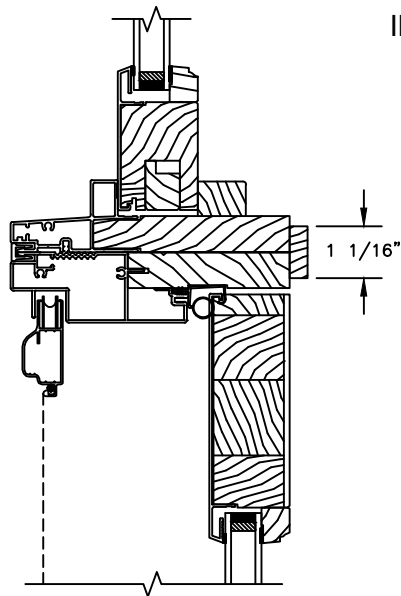
HEAD JAMB WITH
CLAD 3 1/2" FLAT CASING

Pinnacle Series

CLAD NARROW SWINGING PATIO DOOR

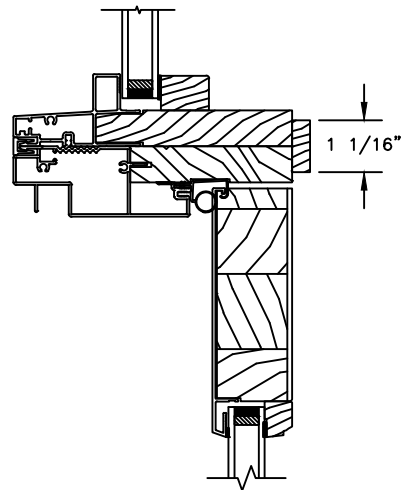
SECTION DETAILS : MULLIONS

SCALE: 3" = 1'-0"

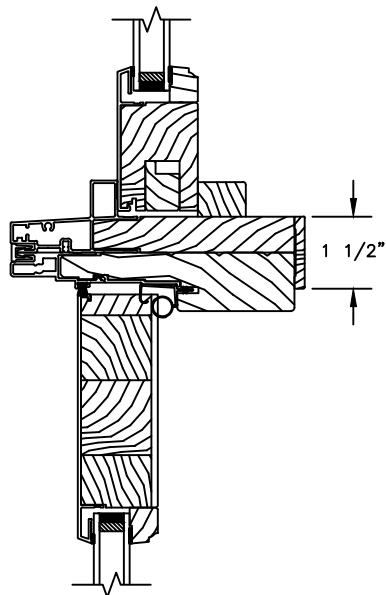


INSWING

HORIZONTAL MULLION
TRANSOM/OPERATOR

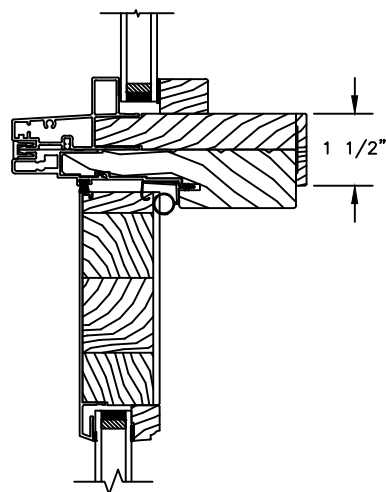


HORIZONTAL MULLION
RADIUS/STATIONARY



OUTSWING

HORIZONTAL MULLION
TRANSOM/OPERATOR



HORIZONTAL MULLION
RADIUS/OPERATOR

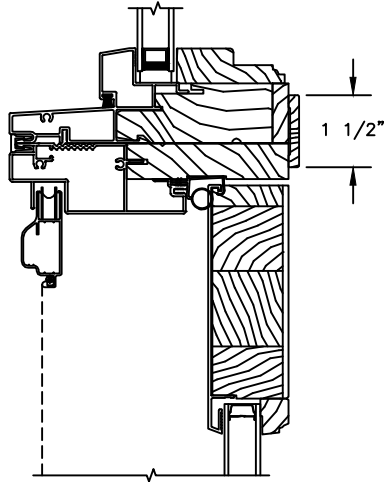
Pinnacle Series

CLAD NARROW SWINGING PATIO DOOR

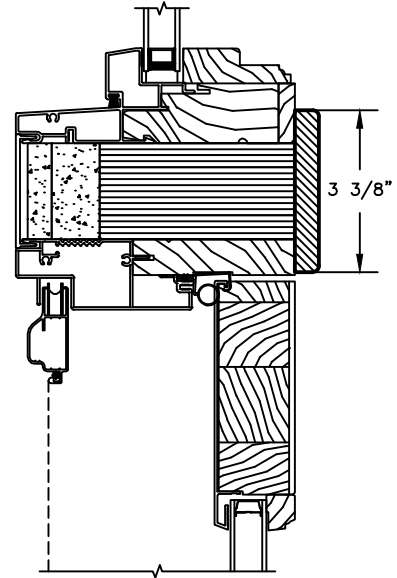
SECTION DETAILS : MULLIONS

SCALE: 3" = 1'-0"

INSWING

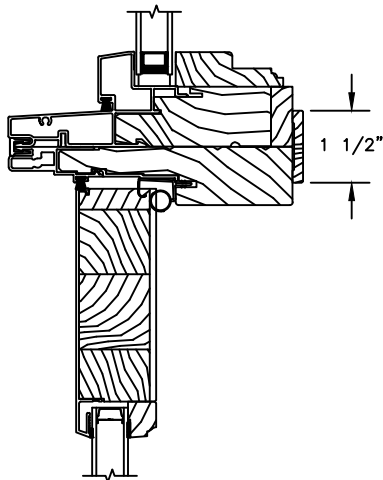


HORIZONTAL MULLION
DIRECT SET/OPERATOR

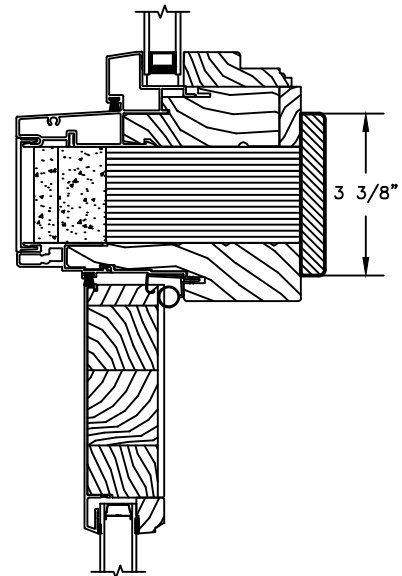


HORIZONTAL MULLION WITH
2" SPREAD MULL
DIRECT SET/OPERATOR
ADDITIONAL WIDTHS INCLUDE:
1", 2", 2 1/2", 3", & 4"

OUTSWING



HORIZONTAL MULLION
DIRECT SET/OPERATOR



HORIZONTAL MULLION WITH
2" SPREAD MULL
DIRECT SET/OPERATOR
ADDITIONAL WIDTHS INCLUDE:
1", 2", 2 1/2", 3", & 4"

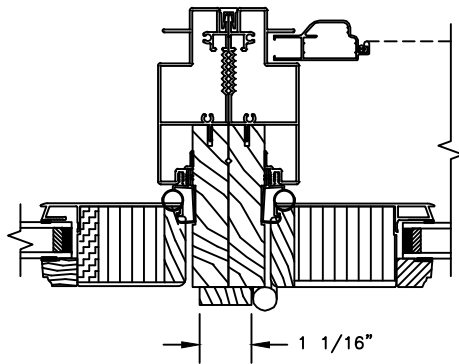
Pinnacle Series

CLAD NARROW SWINGING PATIO DOOR

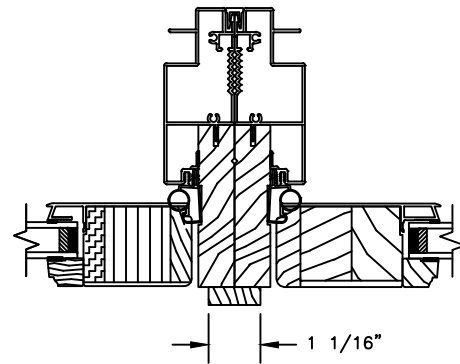
SECTION DETAILS : MULLIONS

SCALE: 3" = 1'-0"

IN SWING

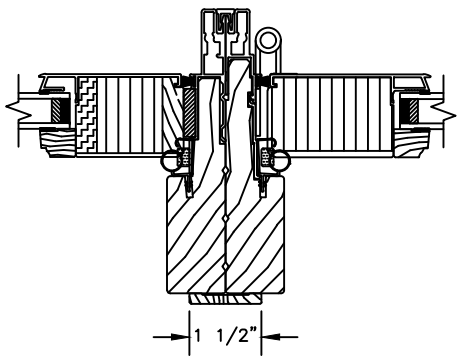


VERTICAL MULLION
SIDELITE/OPERATOR

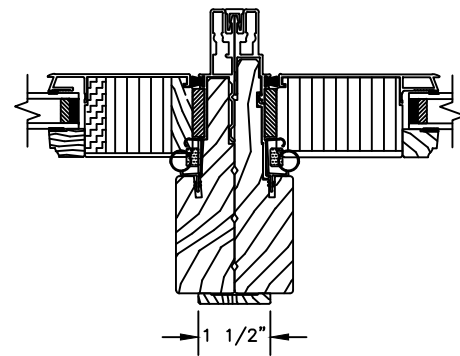


VERTICAL MULLION
SIDELITE/STATIONARY

OUT SWING



VERTICAL MULLION
SIDELITE/OPERATOR



VERTICAL MULLION
SIDELITE/STATIONARY

Pinnacle Series

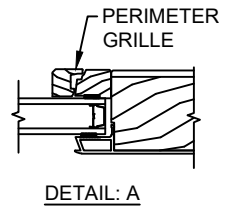
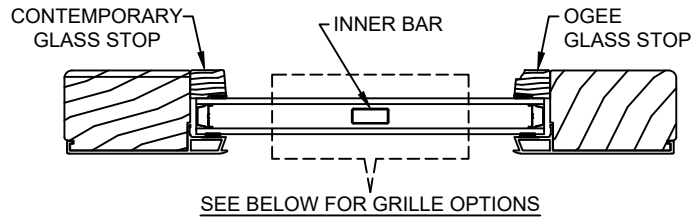
CLAD NARROW SWINGING PATIO DOOR

SECTION DETAILS : GLASS STOP & DIVIDED LITE OPTIONS

SCALE: 3" = 1'-0"

AVAILABLE STYLES

-  - PUTTY
-  - OGEE
-  - CONTEMPORARY



	5/8" WDL WITH INNER BAR	7/8" WDL WITH INNERBAR	1 1/4" WDL WITH INNERBAR	2" WDL WITH INNERBAR
STANDARD INSULATING GLASS				
13/16" INNERGRILLE				
3/4" PROFILED INNERGRILLE				
1" PROFILED INNERGRILLE				
7/8" PERIMETER GRILLE				
1 1/4" PERIMETER GRILLE				

NOTE:

* ALL WDL OPTIONS CAN BE ORDERED WITH OR WITHOUT INNER BAR

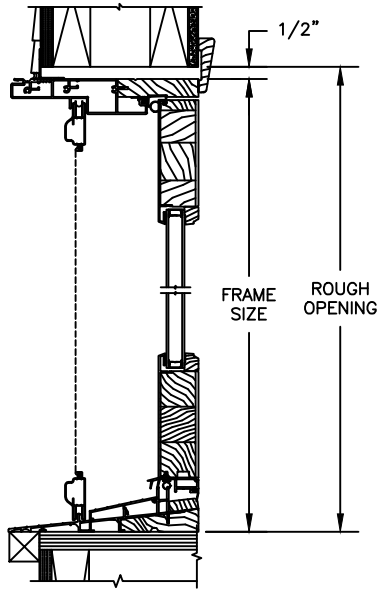
* PERIMETER GRILLES ONLY AVAILABLE IN THE 7/8" AND 1 1/4" OGEE STYLE GLASS STOP (SEE DETAIL: A)

Pinnacle Series

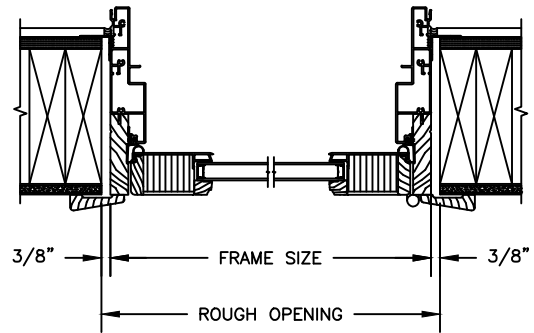
CLAD PATIO DOOR - NARROW INSWING

SECTION DETAILS : CONSTRUCTION

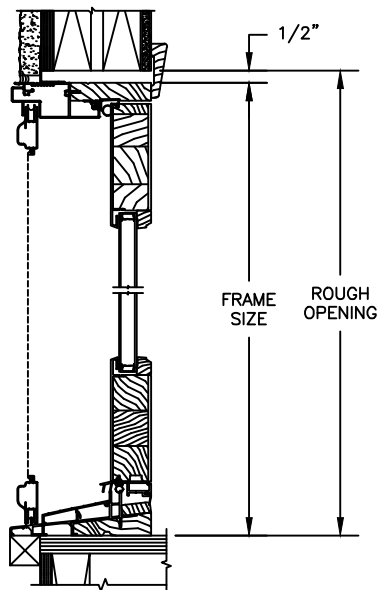
SCALE: 1 1/2" = 1'-0"



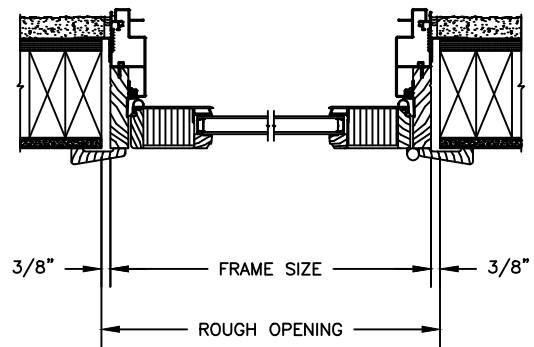
HEAD JAMB & SILL
2 X 6 FRAME WITH SIDING



JAMBS
2 X 6 FRAME WITH SIDING



HEAD JAMB & SILL
2 X 4 FRAME WITH STUCCO



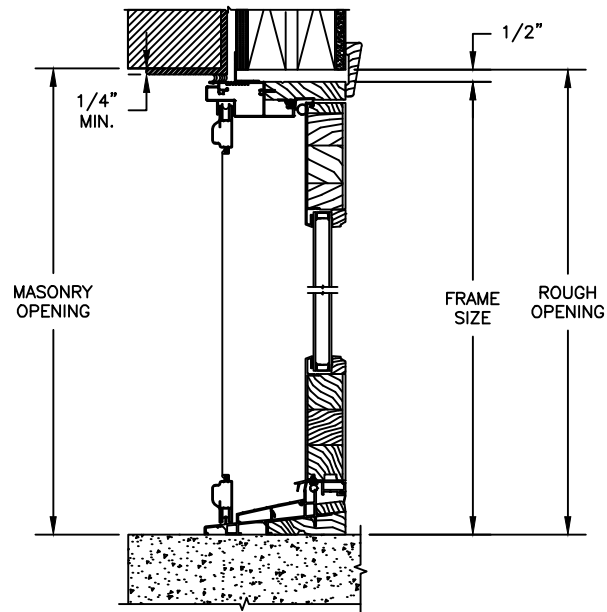
JAMBS
2 X 4 FRAME WITH STUCCO

Pinnacle Series

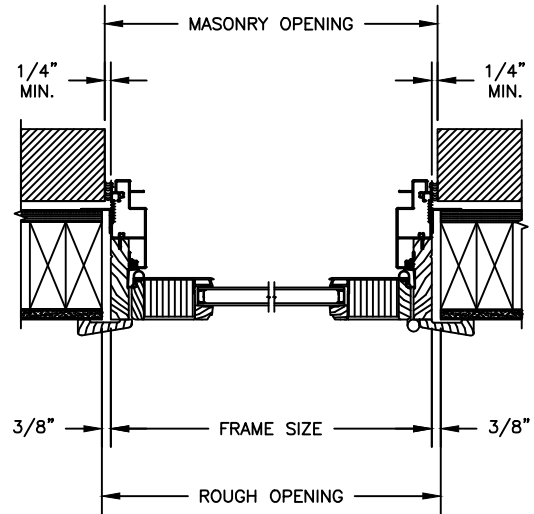
CLAD PATIO DOOR - NARROW INSWING

SECTION DETAILS : CONSTRUCTION

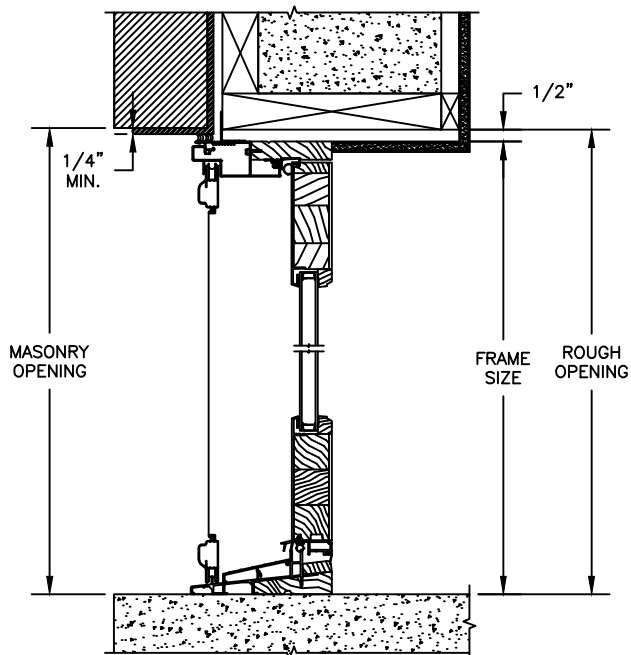
SCALE: 1 1/2" = 1'-0"



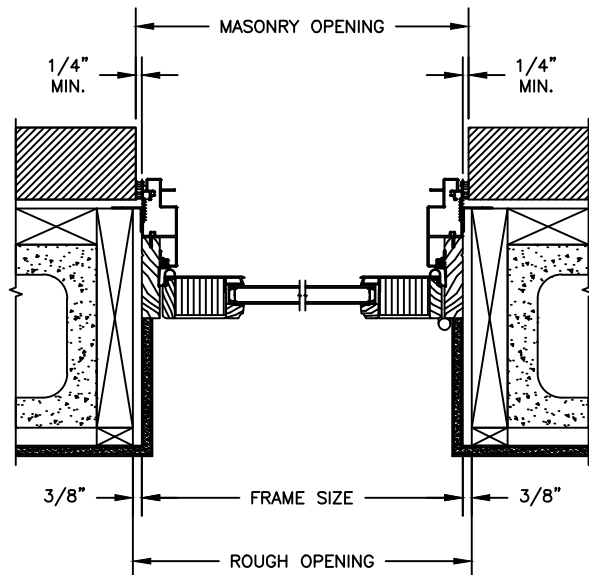
HEAD JAMB & SILL
2 X 6 FRAME WITH BRICK VENEER



JAMBS
2 X 6 FRAME WITH BRICK VENEER



HEAD JAMB & SILL
8" CONCRETE BLOCK WALL
WITH BRICK VENEER



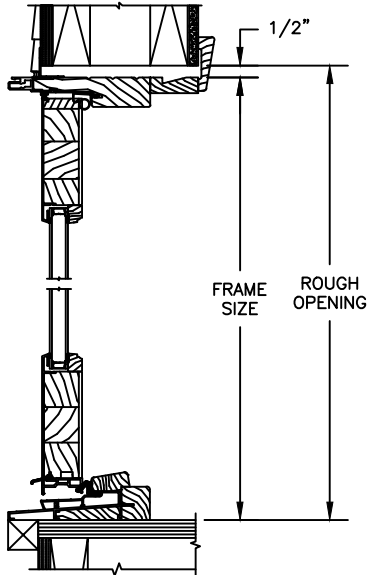
JAMBS
8" CONCRETE BLOCK WALL
WITH BRICK VENEER

Pinnacle Series

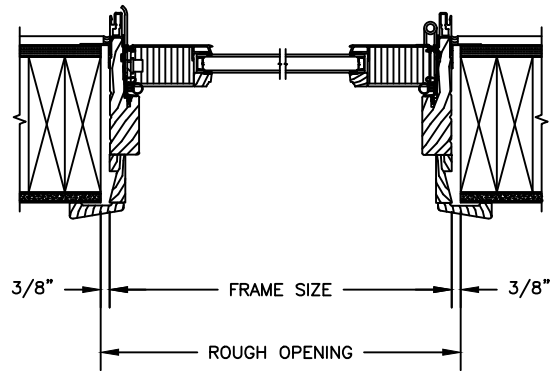
CLAD PATIO DOOR - NARROW OUTSWING

SECTION DETAILS : CONSTRUCTION

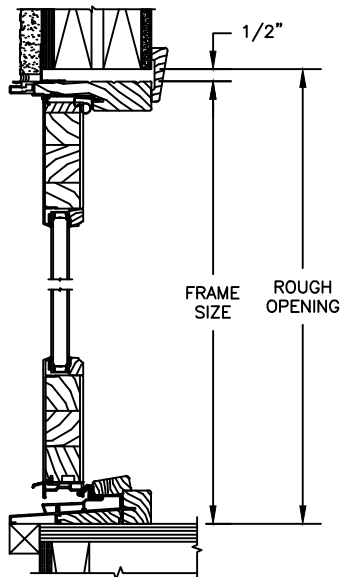
SCALE: 1 1/2" = 1'-0"



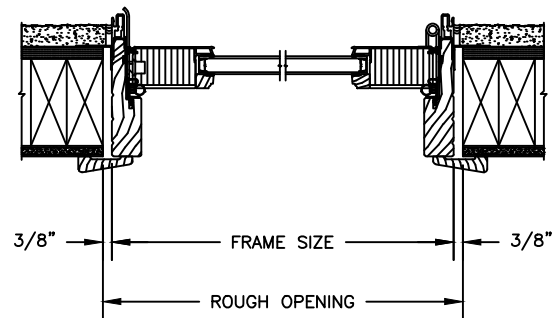
HEAD JAMB & SILL
2 X 6 FRAME WITH SIDING



JAMBS
2 X 6 FRAME WITH SIDING



HEAD JAMB & SILL
2 X 4 FRAME WITH STUCCO



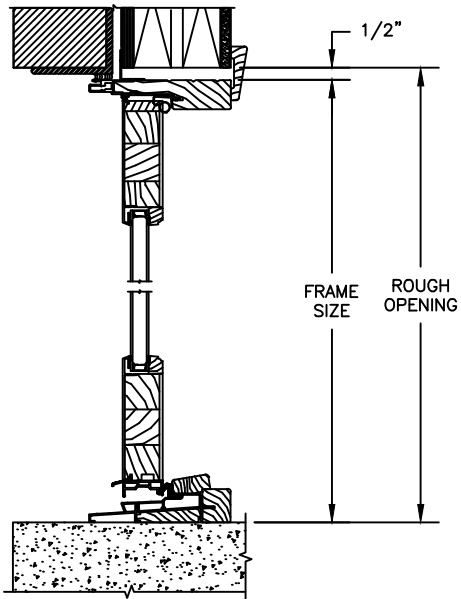
JAMBS
2 X 4 FRAME WITH STUCCO

Pinnacle Series

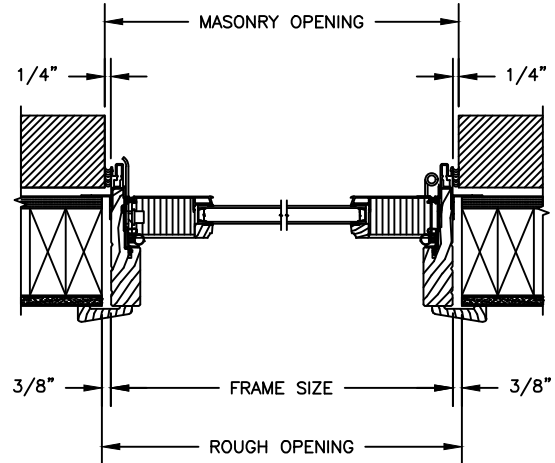
CLAD PATIO DOOR - NARROW OUTSWING

SECTION DETAILS : CONSTRUCTION

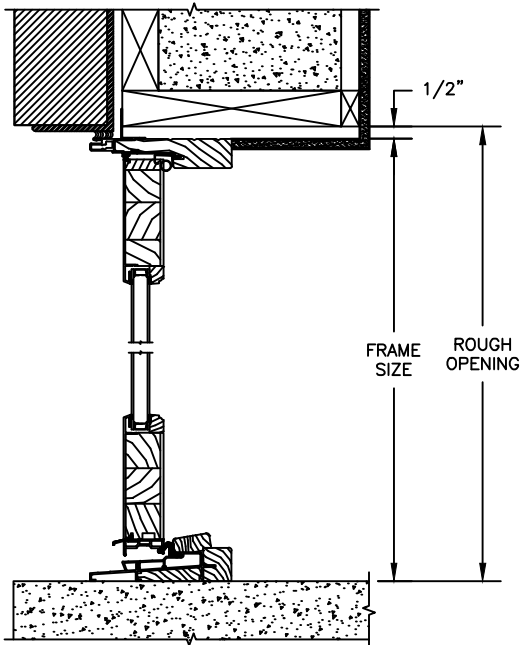
SCALE: 1 1/2" = 1'-0"



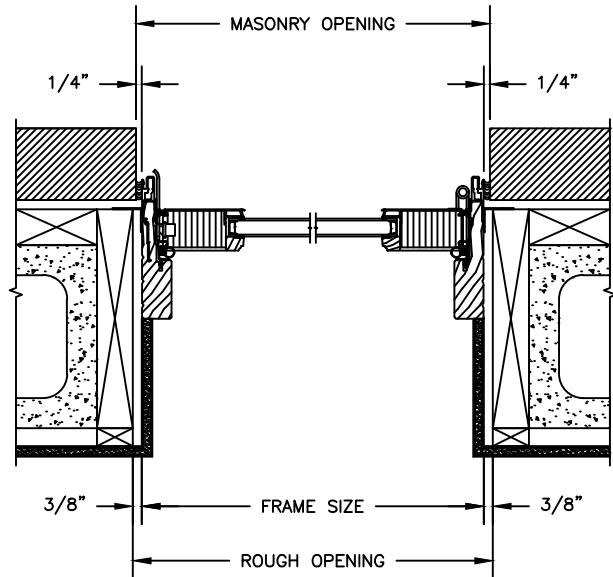
HEAD JAMB & SILL
2 X 6 FRAME WITH BRICK VENEER



JAMBS
2 X 6 FRAME WITH BRICK VENEER



HEAD JAMB & SILL
8" CONCRETE BLOCK WALL
WITH BRICK VENEER

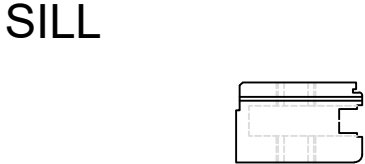
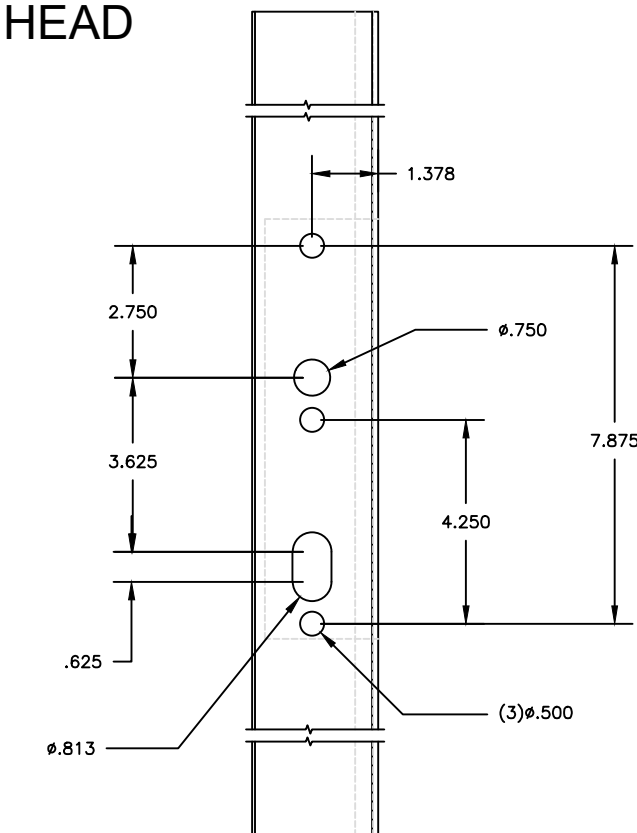


JAMBS
8" CONCRETE BLOCK WALL
WITH BRICK VENEER

Pinnacle Series

CLAD PATIO DOOR - NARROW INSWING/OUTSWING

HARDWARE MACHINING DETAILS



SINGLE/MULTI
POINT