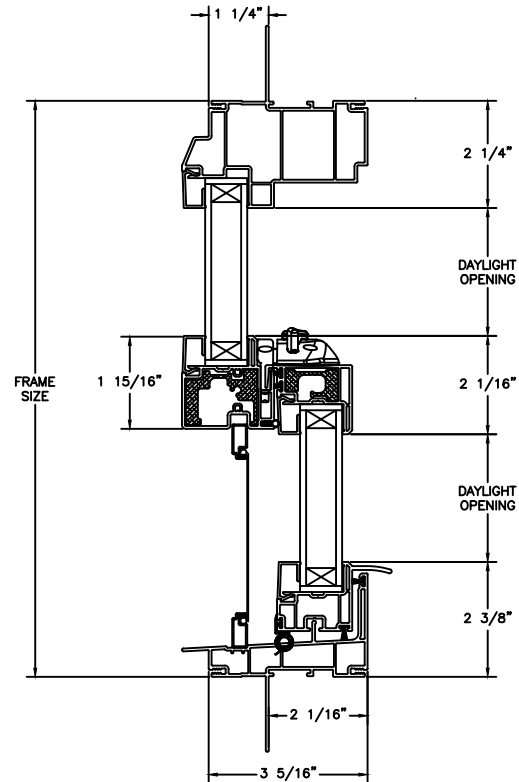


Next Dimension Series

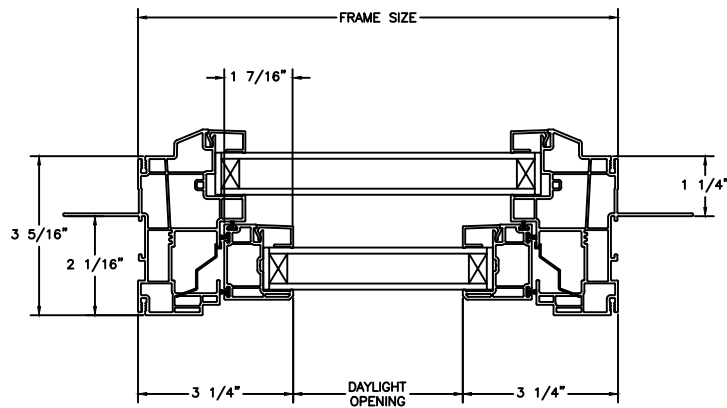
SINGLE HUNG

SECTION DETAILS

SCALE: 3" = 1'-0"



HEAD JAMB & SILL



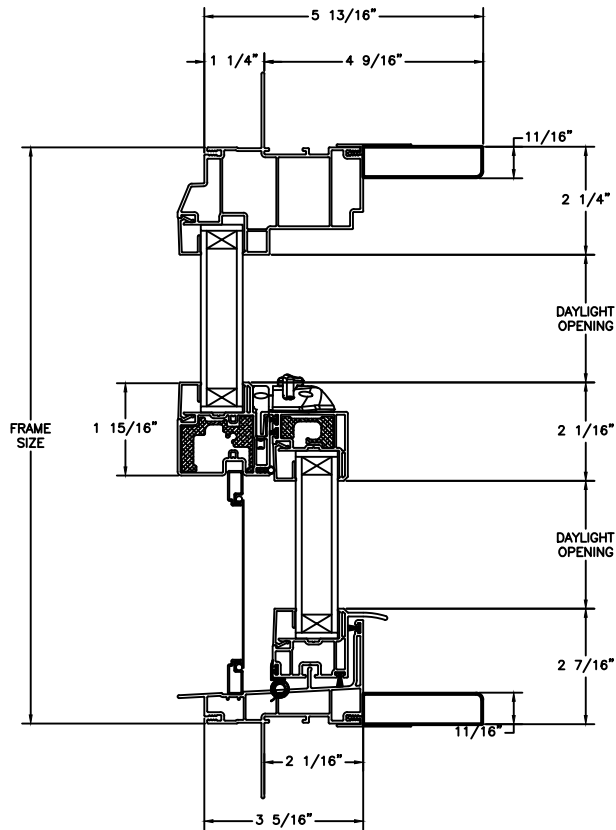
SIDE JAMB

Next Dimension Series

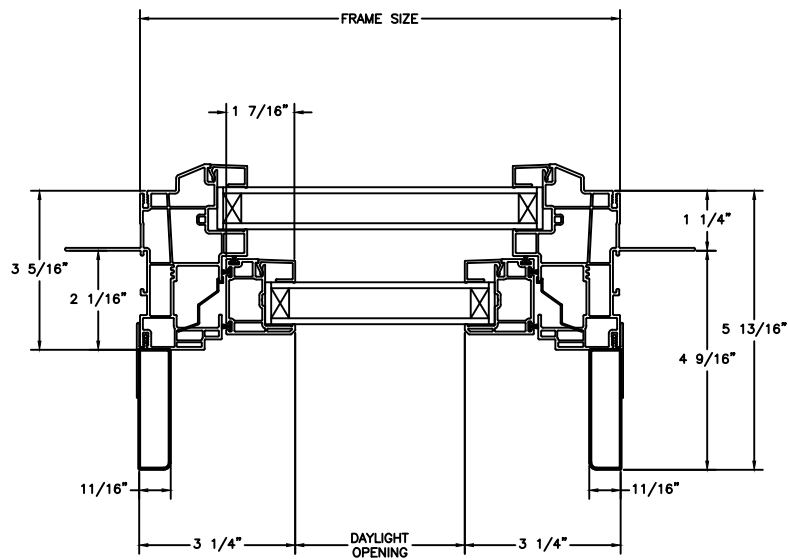
SINGLE HUNG

SECTION DETAILS (4 9/16" JAMB)

SCALE: 3" = 1'-0"



HEAD JAMB & SILL

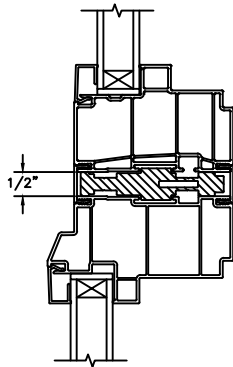


SIDE JAMB

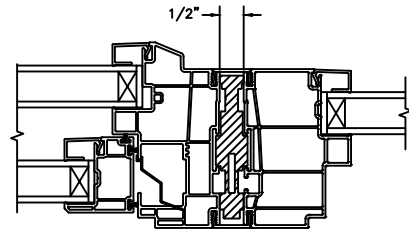
Next Dimension Series

SINGLE HUNG

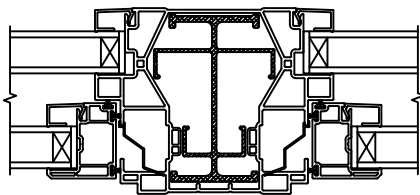
SECTION DETAILS: MULLIONS
SCALE: 3" = 1'-0"



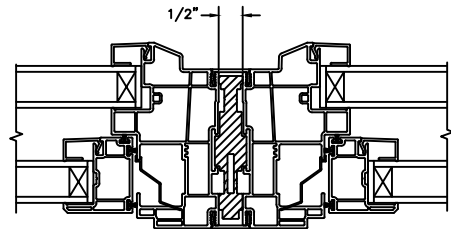
HORIZONTAL MULLION
FIXED/OPERATOR



VERTICAL MULLION
OPERATOR/FIXED



VERTICAL T-BAR
OPERATOR/OPERATOR

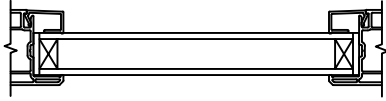


VERTICAL MULLION
OPERATOR/OPERATOR

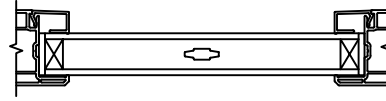
Next Dimension Series

SINGLE HUNG

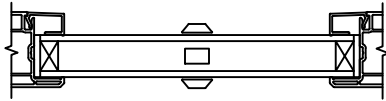
SECTION DETAILS : DIVIDED LITE OPTIONS
SCALE: 3" = 1'-0"



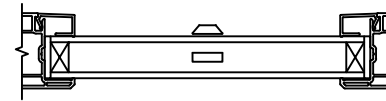
INSULATING GLASS



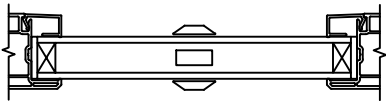
3/4" PROFILED INNERGRILLE



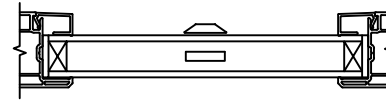
5/8" GRILLE BAR
WITH INNERBAR



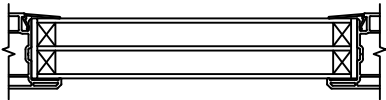
5/8" GRILLE BAR (EXTERIOR ONLY)
WITH 5/8" FLAT INNERGRILLE



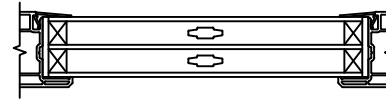
7/8" GRILLE BAR
WITH INNERBAR



7/8" GRILLE BAR (EXTERIOR ONLY)
WITH 13/16" FLAT INNERGRILLE



TRIPLE IG INSULATING GLASS

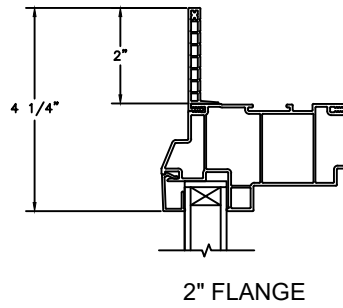
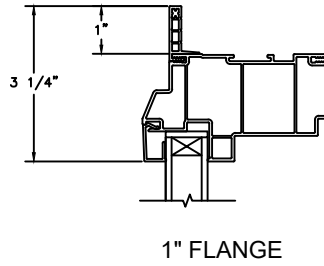
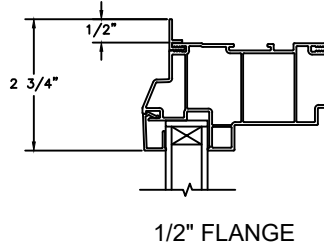


TRIPLE IG PROFILED INNERGRILLE

Next Dimension Series

SINGLE HUNG

SECTION DETAILS : FLUSH FIN OPTIONS
SCALE: 3" = 1'-0"

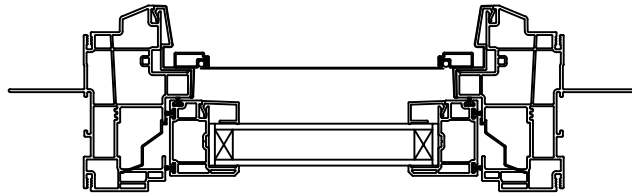


Next Dimension Series

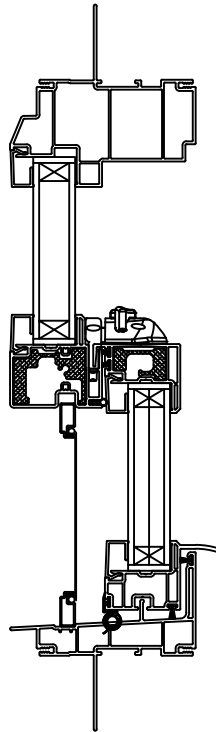
SINGLE HUNG

SECTION DETAILS : JAMB COVER FOR LAMINATED EXTERIOR

SCALE: 3" = 1'-0"



JAMBS



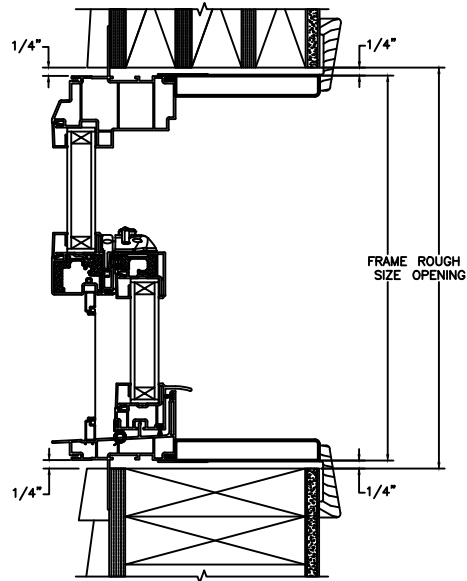
HEAD JAMB & SILL

Next Dimension Series

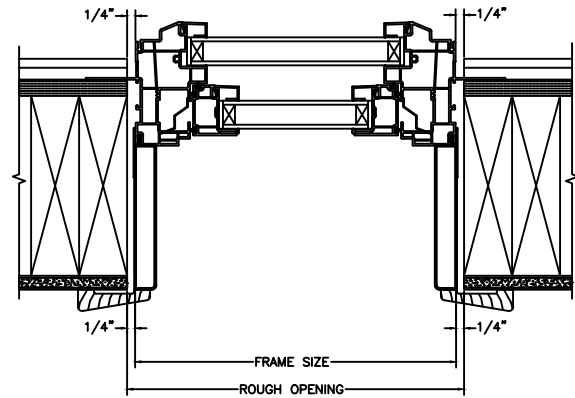
SINGLE HUNG

SECTION DETAILS : CONSTRUCTION

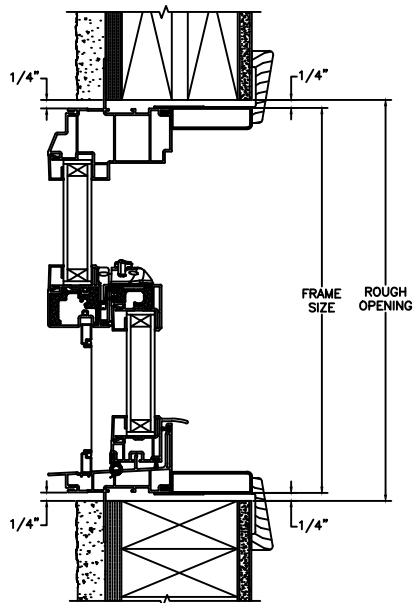
SCALE: 2" = 1'-0"



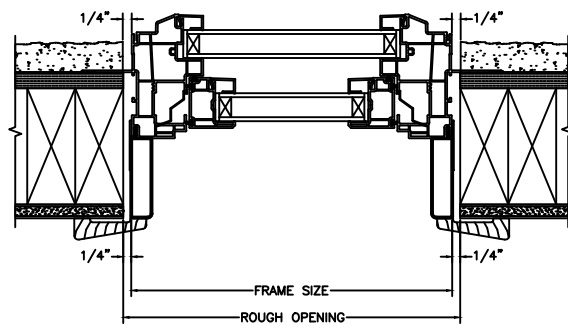
HEAD JAMB & SILL
2 X 6 FRAME WITH SIDING



JAMBS
2 X 6 FRAME WITH SIDING



HEAD JAMB & SILL
2 X 4 FRAME WITH STUCCO



JAMBS
2 X 4 FRAME WITH STUCCO

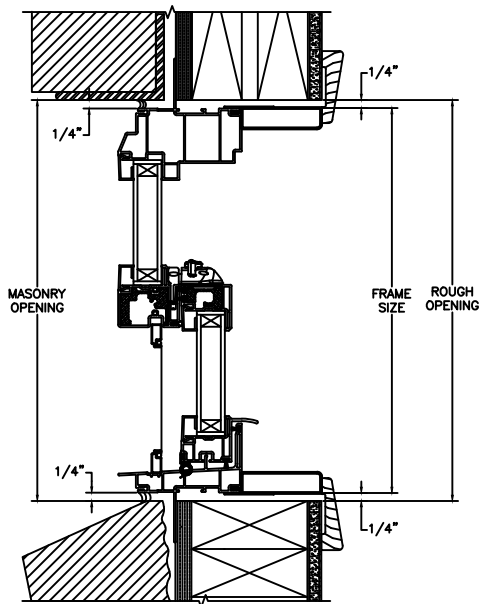
NOTE:
THE ABOVE WALL SECTIONS REPRESENT TYPICAL WALL CONDITIONS, THESE DETAILS ARE NOT INTENDED AS INSTALLATIONS INSTRUCTIONS. PLEASE REFER TO THE INSTALLATION INSTRUCTIONS PROVIDED WITH THE PURCHASED UNITS.

Next Dimension Series

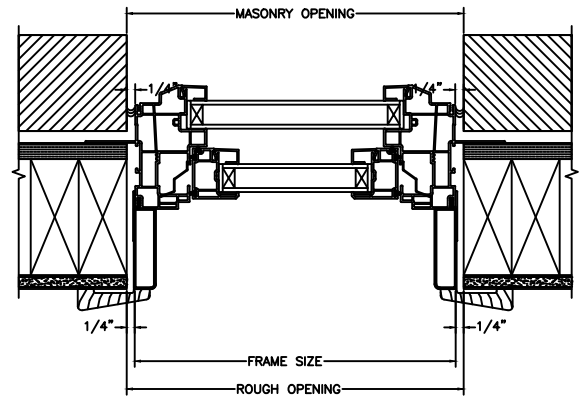
SINGLE HUNG

SECTION DETAILS : CONSTRUCTION

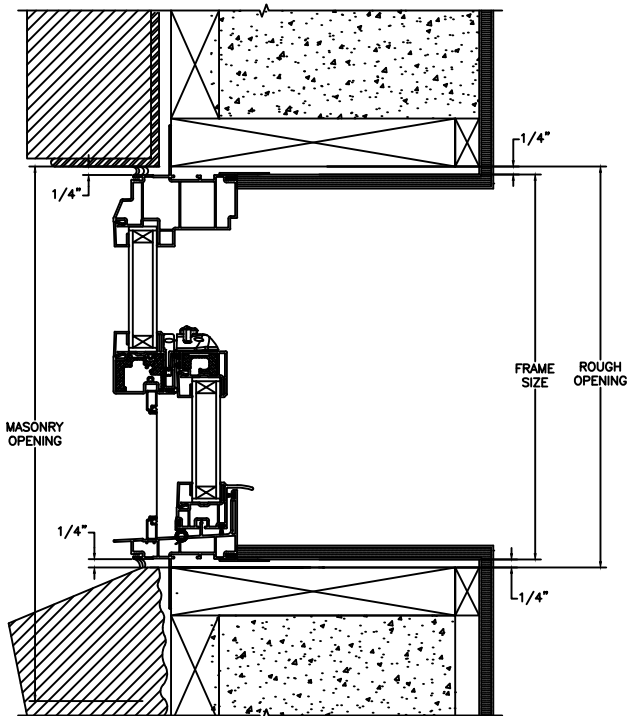
SCALE: 2" = 1'-0"



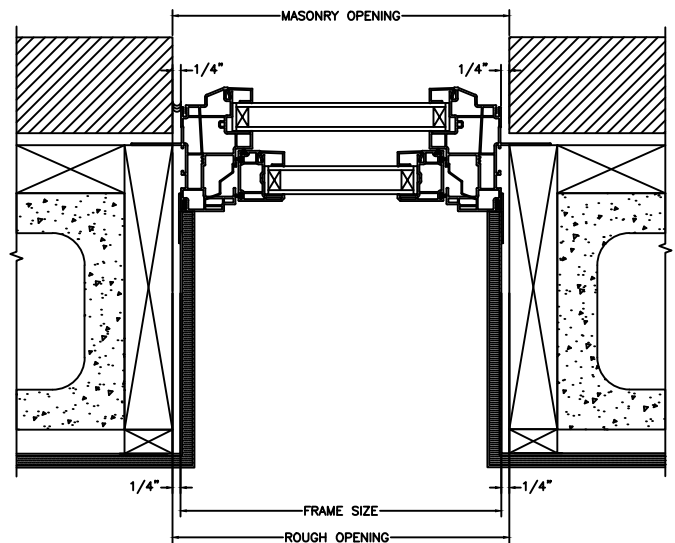
HEAD JAMB & SILL
2 X 4 FRAME WITH BRICK VENEER



JAMBS
2 X 4 FRAME WITH BRICK VENEER



HEAD JAMB & SILL
8" CONCRETE BLOCK WALL
WITH BRICK VENEER



JAMBS
8" CONCRETE BLOCK WALL
WITH BRICK VENEER

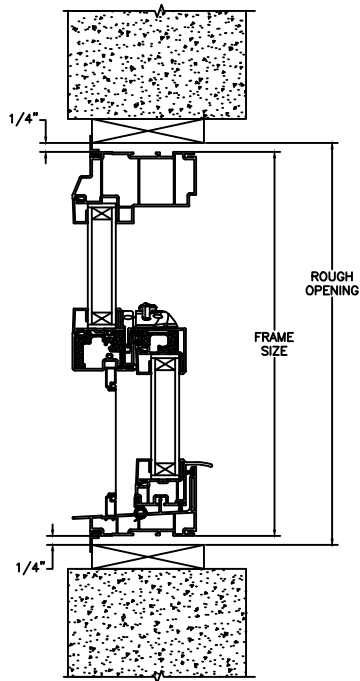
NOTE:
THE ABOVE WALL SECTIONS REPRESENT TYPICAL WALL CONDITIONS, THESE DETAILS ARE NOT INTENDED AS INSTALLATION INSTRUCTIONS. PLEASE REFER TO THE INSTALLATION INSTRUCTIONS PROVIDED WITH THE PURCHASED UNITS.

Next Dimension Series

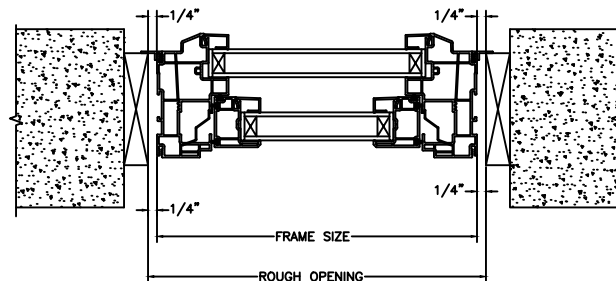
SINGLE HUNG

SECTION DETAILS : CONSTRUCTION (FLANGE OPTION)

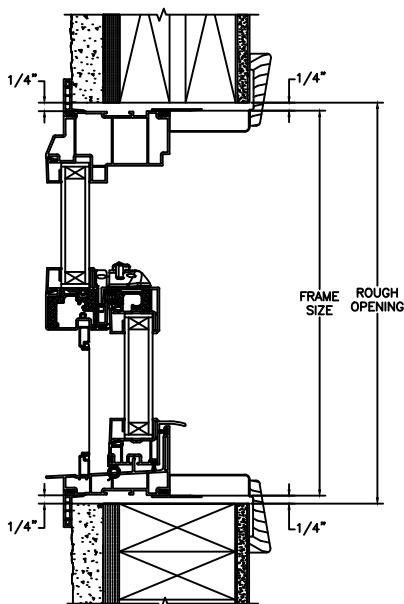
SCALE: 2" = 1'-0"



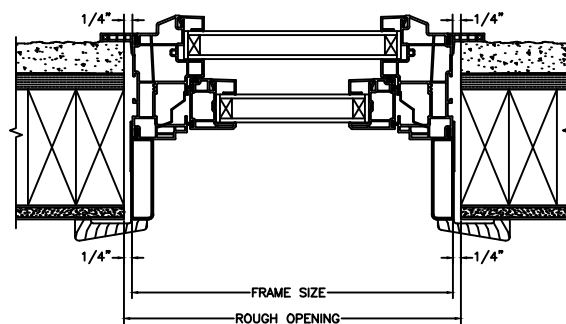
HEAD JAMB & SILL
BLOCK WALL WITH 1 X 4
1/2" FLANGE OPTION



JAMBS
BLOCK WALL WITH 1 X 4
1/2" FLANGE OPTION



HEAD JAMB & SILL
2 X 4 FRAME WITH STUCCO
1" OR 2" FLANGE OPTION



JAMBS
2 X 4 FRAME WITH STUCCO
1" OR 2" FLANGE OPTION

NOTE:
THE ABOVE WALL SECTIONS REPRESENT TYPICAL WALL CONDITIONS, THESE DETAILS ARE NOT INTENDED AS INSTALLATIONS INSTRUCTIONS. PLEASE REFER TO THE INSTALLATION INSTRUCTIONS PROVIDED WITH THE PURCHASED UNITS.