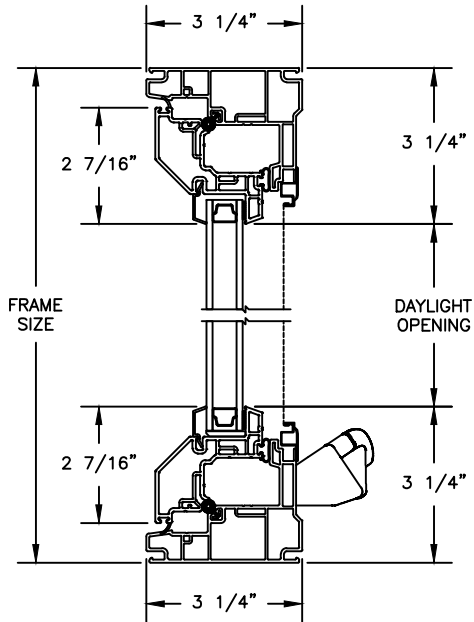


# Revive Series

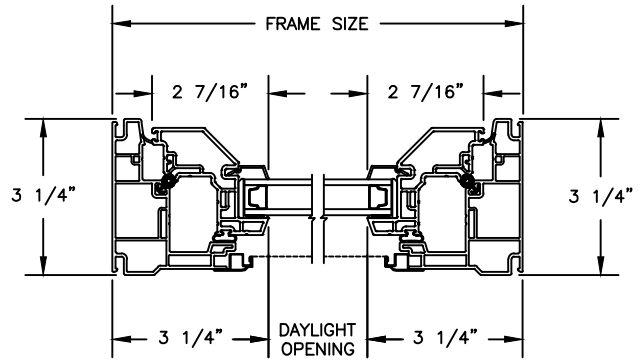
## VINYL CASEMENT

SECTION DETAILS: OPERATING / PICTURE  
 SCALE: 3" = 1'-0"

### OPERATING

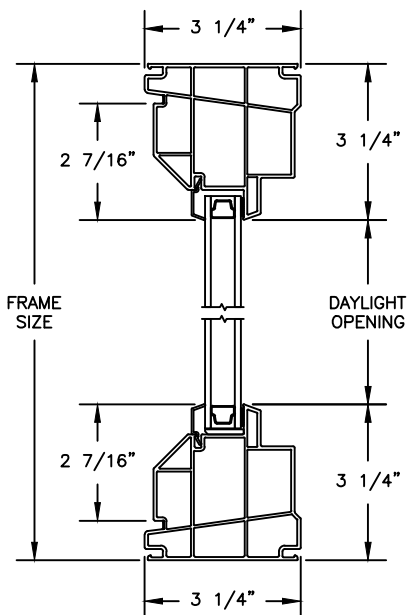


HEAD JAMB & SILL

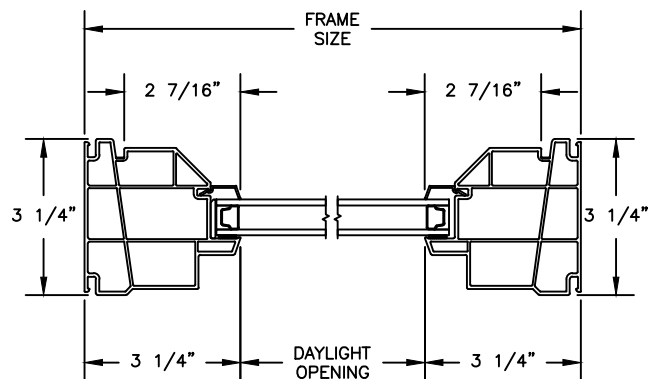


JAMBS

### PICTURE



HEAD JAMB & SILL



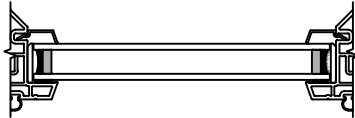
JAMBS

# Revive Series

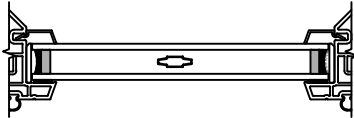
## VINYL CASEMENT

SECTION DETAILS : DIVIDED LITE OPTIONS

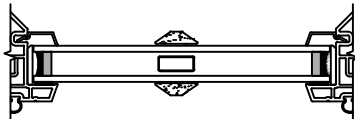
SCALE: 3" = 1'-0"



INSULATING GLASS



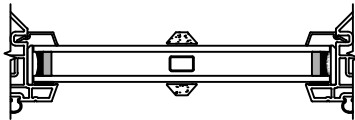
3/4" PROFILED INNERGRILLE



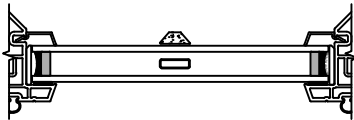
7/8" PUTTY WDL  
WITH INNERBAR



7/8" PUTTY WDL (EXTERIOR ONLY)  
WITH 13/16" FLAT INNERGRILLE



5/8" PUTTY WDL  
WITH INNERBAR



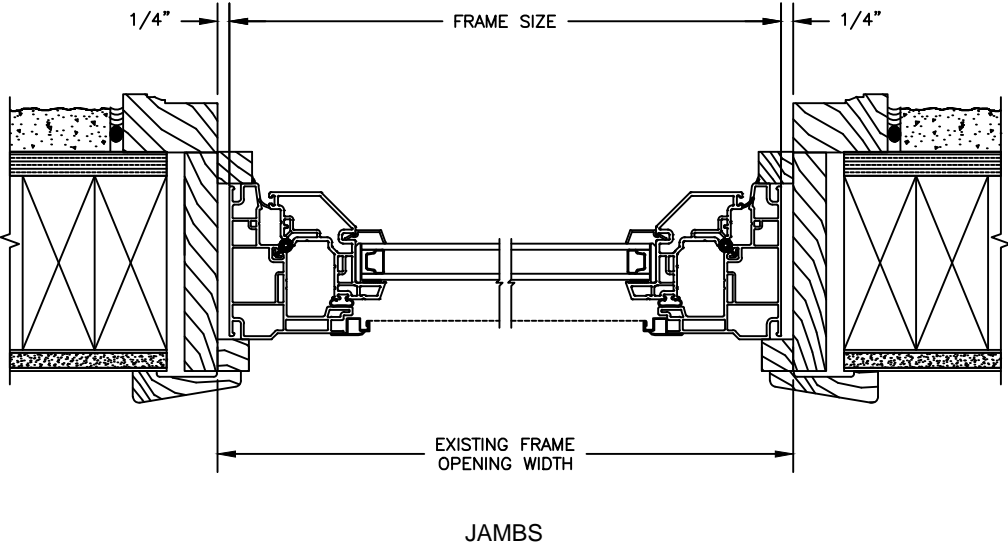
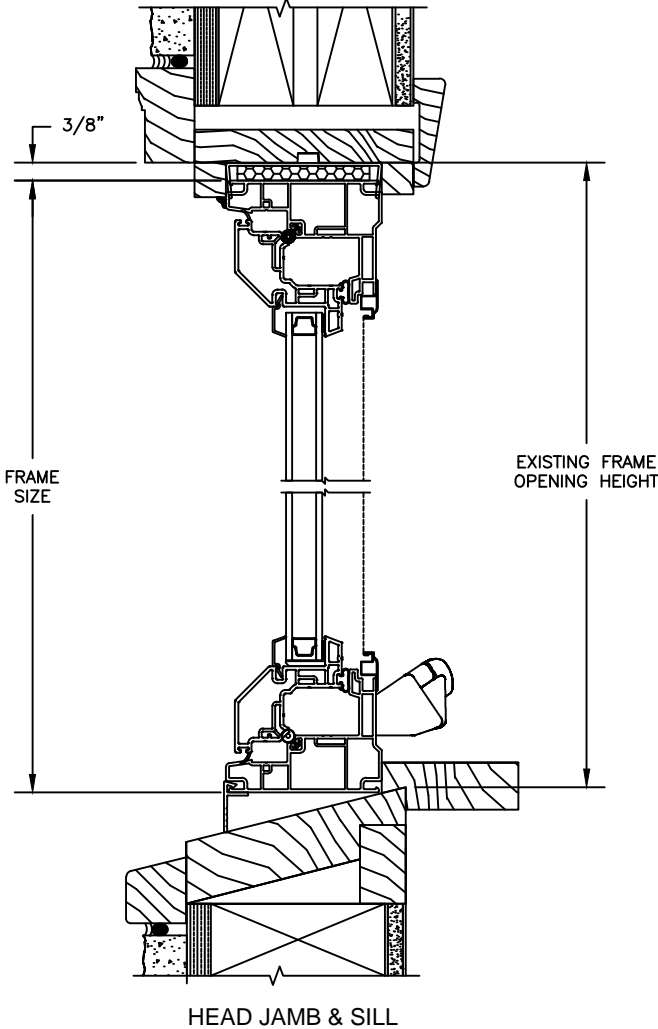
5/8" PUTTY WDL (EXTERIOR ONLY)  
WITH 5/8" FLAT INNERGRILLE

# Revive Series

## VINYL CASEMENT

SECTION DETAILS : CONSTRUCTION - OPERATOR

SCALE: 3" = 1'-0"



# Revive Series

## VINYL CASEMENT

SECTION DETAILS : CONSTRUCTION - PICTURE

SCALE: 3" = 1'-0"

