



WINDSOR
WINDOWS & DOORS
A WOODGRAIN MILLWORK COMPANY

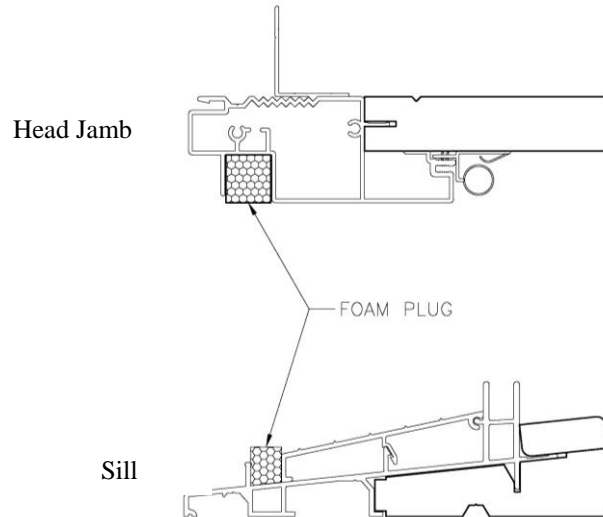
Excellent Choice

Astragal Adapter Installation Instructions

*For use with the following options:
Grandeur Swing Screens applied to Pinnacle Clad Doors*

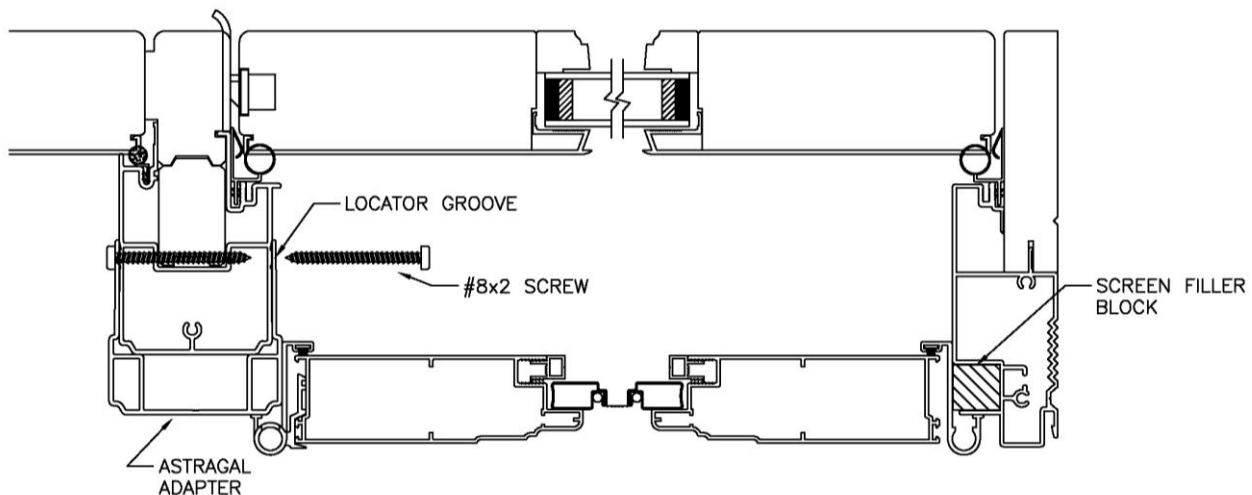
This Swing Screen Adapter Kit is designed to slide over and fasten to the astragal of a Pinnacle Clad Inswing Door in order to prepare the door for application of a Grandeur Swinging Door Screen. Provided with the kit are 2 foam plugs and the necessary screws to secure the adapter to the door.

Step 1: Install the foam filler plugs into the upper and lower screen track of door frame directly in front of the astragal.



Step 2: Set the base (angled cut end) of the screen adapter over the sill foam plugs while engaging the back of adapter with the face of the astragal. Make sure the top of the adapter clears the frame at the head of the door unit and push inward until it bottoms out.

Step 3: Secure the screen adapter to the astragal with the color-matched screws. Pre-drill screw holes 1/8" x 1 3/4" Deep. Locate one screw approximately 3" from each end then 3 additional screws equally spaced in between. A locator groove has been provided in the side of the screen adapter for further screw placement. A total of 10 screws, 5 on each side, will be used to secure the screen adapter to the astragal. The screws should be slightly staggered from one side of the astragal to the other to eliminate the chance of the screws hitting one another.



Step 4: Install the swinging screen per the instructions provided with the screen system.