

Pinnacle Impact Series

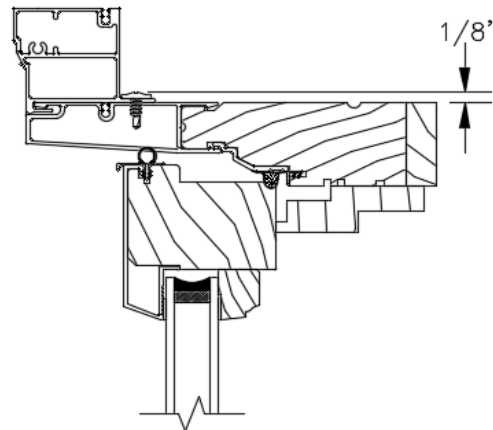
CLAD DIRECT SET

MEASUREMENT CONVERSIONS

STANDARD (NO CASING)												
Size Referenced	Daylite Opening		Glass Size		Frame Size		Rough Opening		Unit Size		Masonry Opening	
Daylite Opening	Dimension Needed											
			Width	+ 7/8	Width	+ 3 7/8	Width	+ 4 5/8	Width	+ 3 7/8	Width	+ 4 5/8
Glass Size			Height	+ 7/8	Height	+ 3 7/8	Height	+ 4 3/8	Height	+ 3 7/8	Height	+ 4 3/8
	Width	- 7/8			Width	+ 3	Width	+ 3 3/4	Width	+ 3	Width	+ 3 3/4
Frame Size	Height	- 7/8			Height	+ 3	Height	+ 3 1/2	Height	+ 3	Height	+ 3 1/2
	Rough Opening	Width	- 3 7/8	Width	- 3			Width	+ 3/4	Width	+ 0	Width
Height		- 3 7/8	Height	- 3			Height	+ 1/2	Height	+ 0	Height	+ 1/2
Unit Size	Width	- 4 5/8	Width	- 3 3/4	Width	- 3/4			Width	- 3/4	Width	+ 0
	Height	- 4 3/8	Height	- 3 1/2	Height	- 1/2			Height	- 1/2	Height	+ 0
Masonry Opening	Width	- 3 7/8	Width	- 3	Width	+ 0	Width	+ 3/4			Width	+ 3/4
	Height	- 3.875	Height	- 3	Height	+ 0	Height	+ 1/2			Height	+ 1/2
Masonry Opening	Width	- 4 5/8	Width	- 3 3/4	Width	- 3/4	Width	+ 0	Width	- 3/4		
	Height	- 4 3/8	Height	- 3 1/2	Height	- 1/2	Height	+ 0	Height	- 1/2		

FRAME TO UNIT ADDERS

WM180 Brickmould	3/8" Subsill	+ 2 13/16	Width
		+ 1 3/4	Height
	1 1/4" Subsill	+ 2 13/16	Width
		+ 2 11/16	Height
	2 1/4" Subsill	+ 2 13/16	Width
		+ 3 11/16	Height
Williamsburg Casing	3/8" Subsill	+ 6 1/2	Width
		+ 3 5/8	Height
	1 1/4" Subsill	+ 6 1/2	Width
		+ 4 1/2	Height
	2 1/4" Subsill	+ 6 1/2	Width
		+ 5 1/2	Height
3 1/2" Flat Casing	3/8" Subsill	+ 5 7/8	Width
		+ 3 5/16	Height
	1 1/4" Subsill	+ 5 7/8	Width
		+ 4 3/16	Height
	2 1/4" Subsill	+ 5 7/8	Width
		+ 5 3/16	Height



NOTE: RIGID NAIL FIN AND ALL CASING OPTIONS ARE APPLIED WITH SCREWS THAT SLIGHTLY PROTRUDE INTO ROUGH OPENING BY $\frac{1}{8}$ ". THESE SCREWS ARE NOT INCLUDED IN ROUGH OPENING CALCULATIONS.

NOTE: ADD $\frac{3}{4}$ " TO UNIT WIDTH AND $\frac{1}{2}$ " TO UNIT HEIGHT TO CALCULATE MASONRY OPENING.