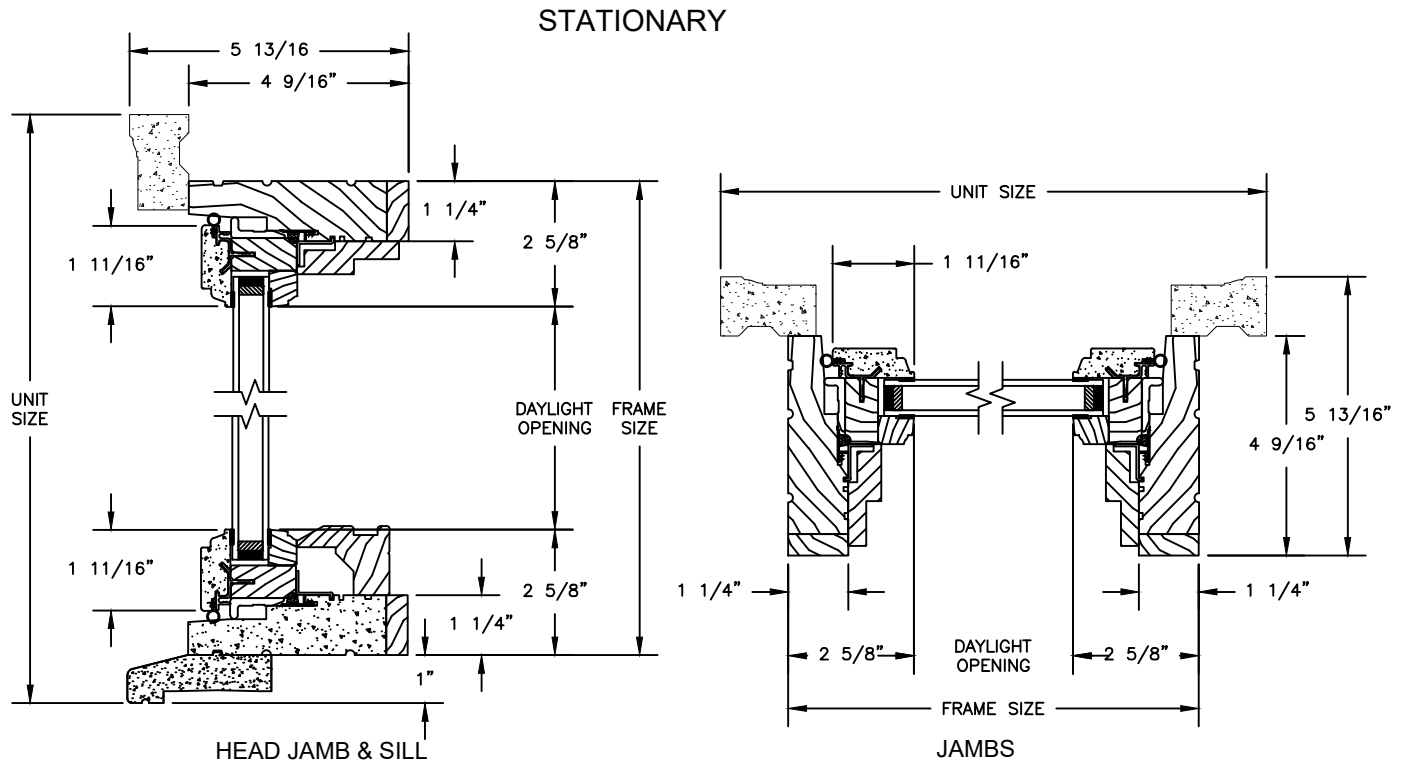
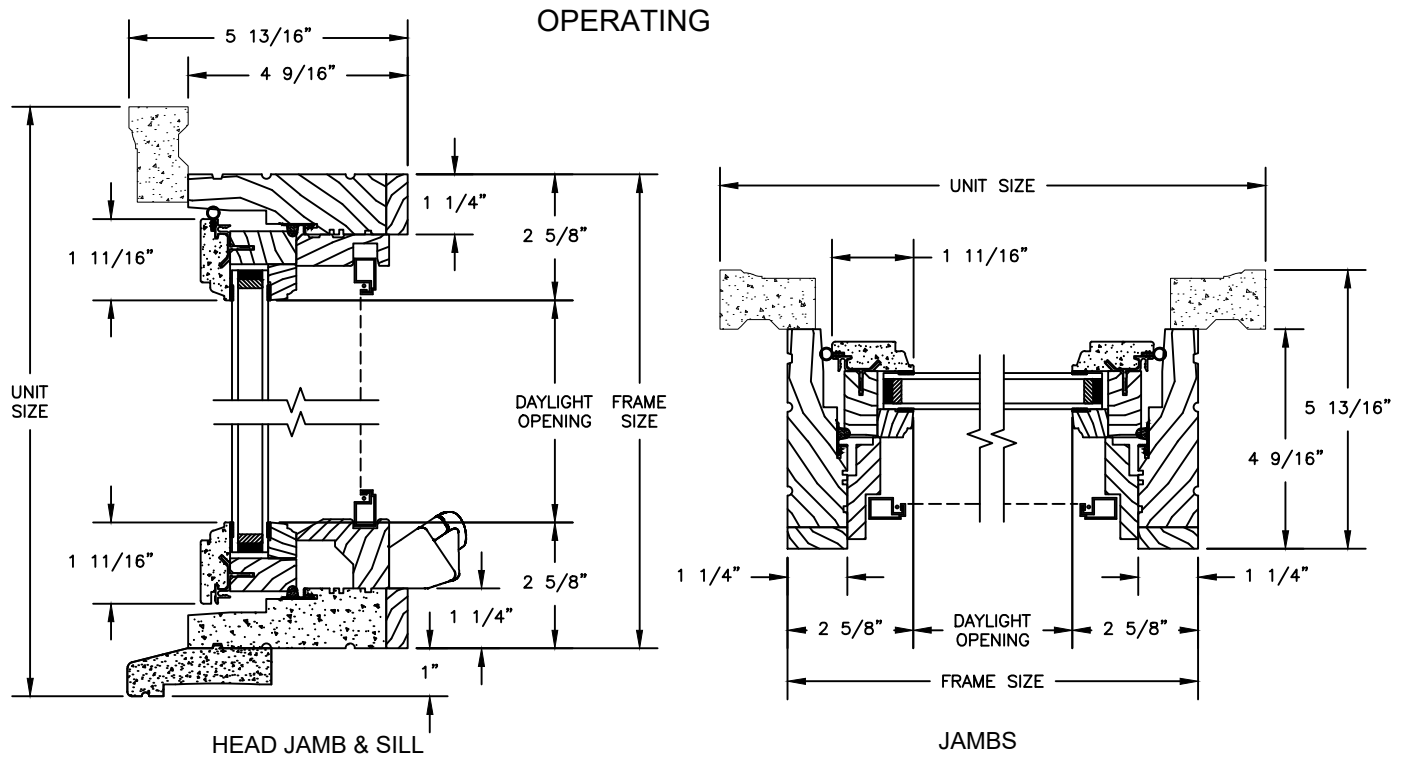


Pinnacle Series

PRIMED AWNING

SECTION DETAILS : OPERATING / STATIONARY

SCALE: 3" = 1'-0"

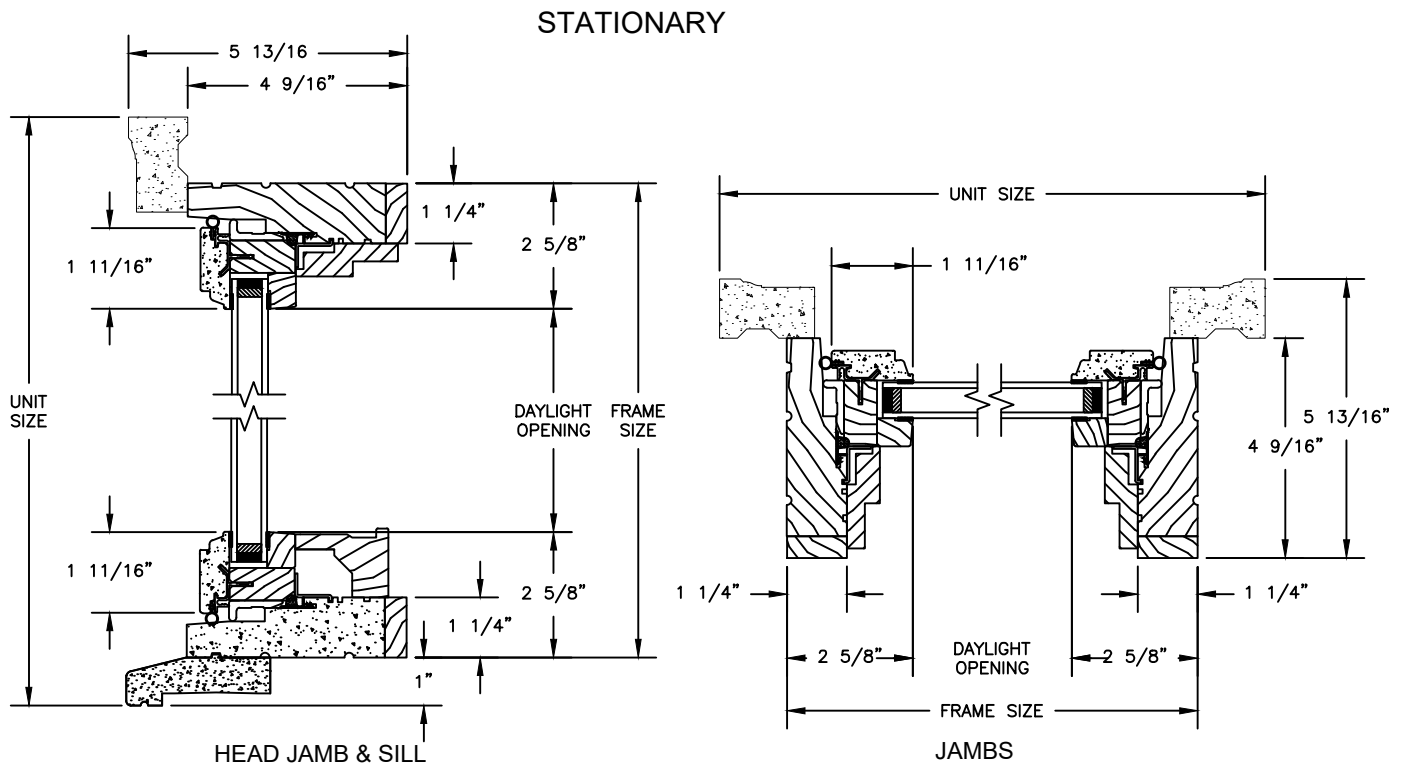
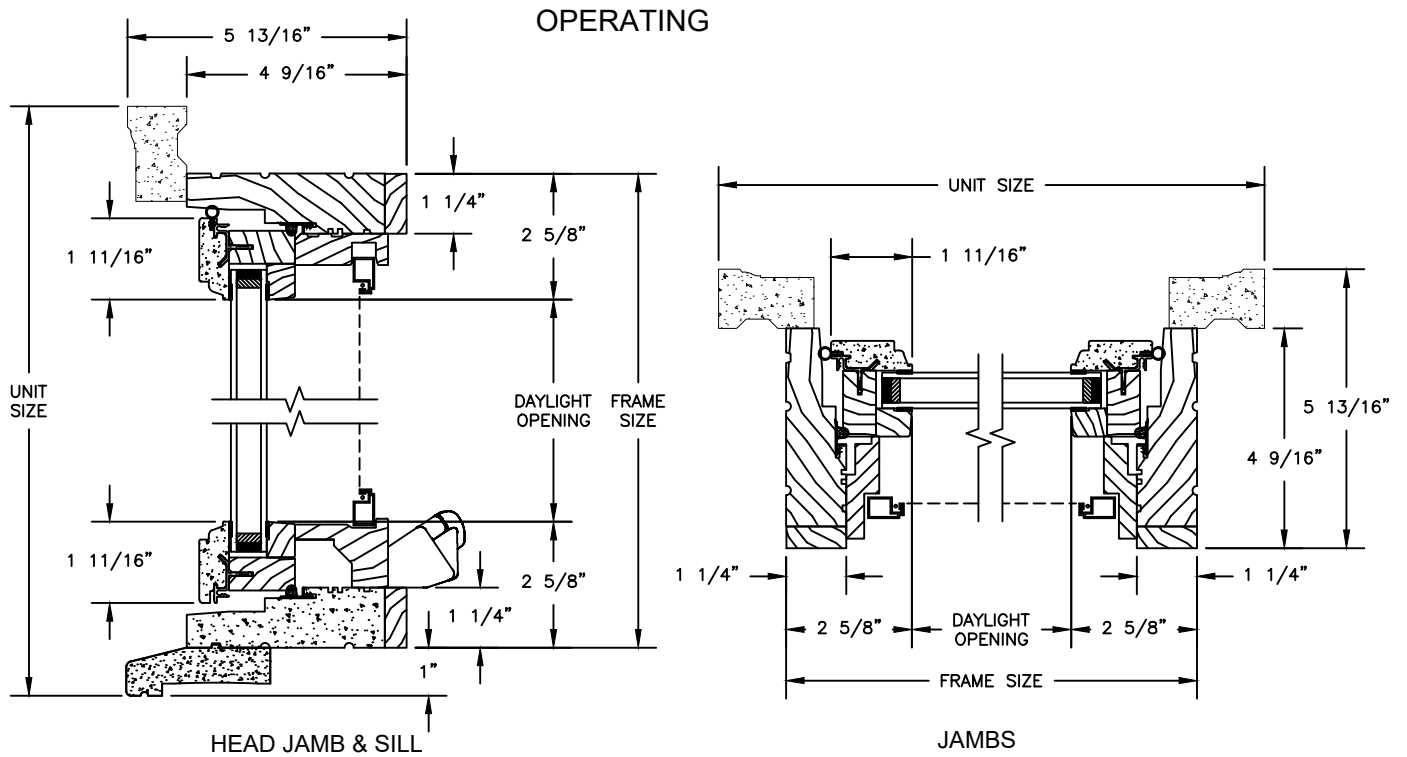


Pinnacle Series

PRIMED AWNING

SECTION DETAILS : OPERATING / STATIONARY WITH CONTEMPORARY STOPS

SCALE: 3" = 1'-0"

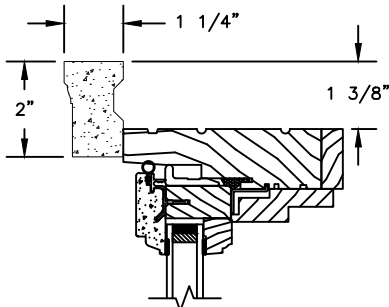


Pinnacle Series

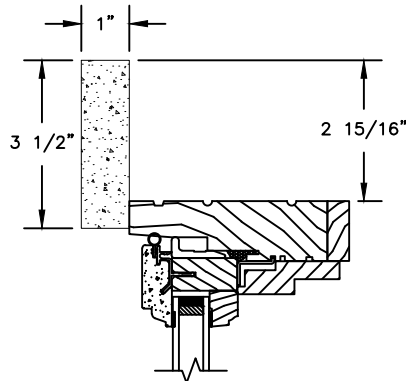
PRIMED AWNING

SECTION DETAILS : CASING OPTIONS

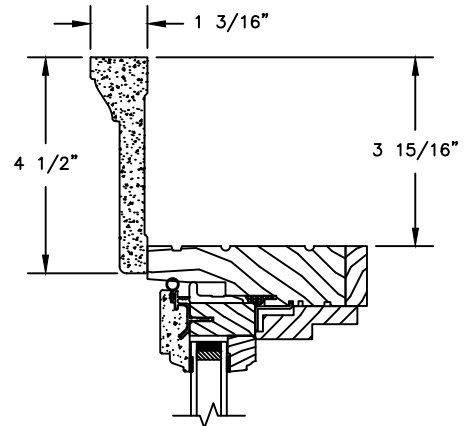
SCALE: 3" = 1'-0"



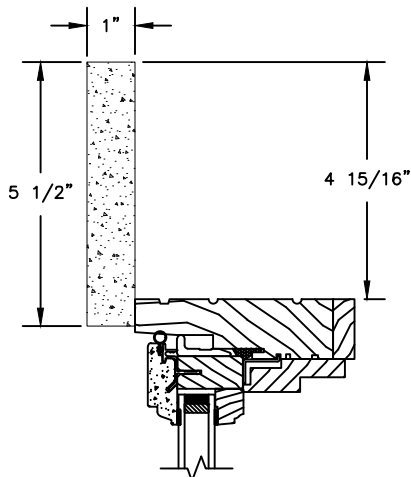
HEAD JAMB WITH
STANDARD 180 BRICKMOULD



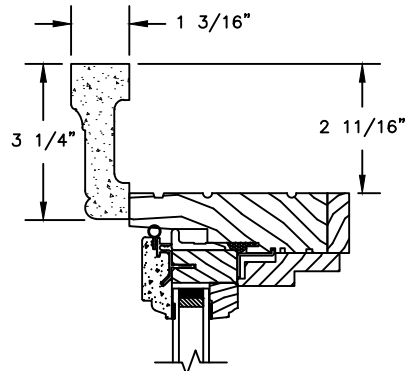
HEAD JAMB WITH
3 1/2" FLAT CASING



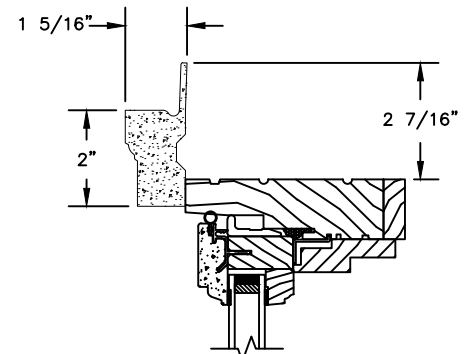
HEAD JAMB WITH
4 1/2" BACKBAND



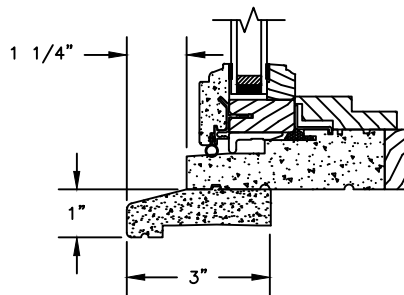
HEAD JAMB WITH
5 1/2" FLAT CASING



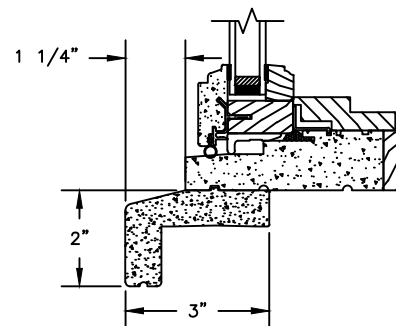
HEAD JAMB WITH
WILLIAMSBURG BRICKMOULD



HEAD JAMB WITH
180 FLANGED BRICKMOULD



HEAD JAMB WITH
STANDARD SUBSILL



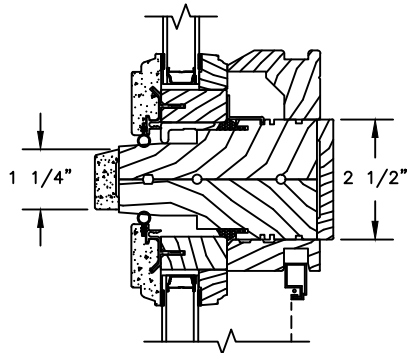
SILL WITH 2" SUBSILL

Pinnacle Series

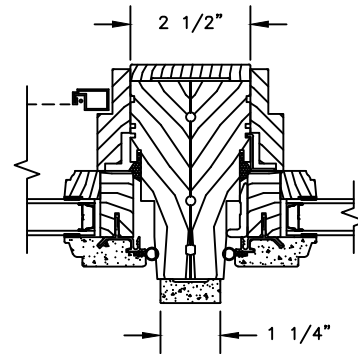
PRIMED AWNING

SECTION DETAILS : MULLIONS

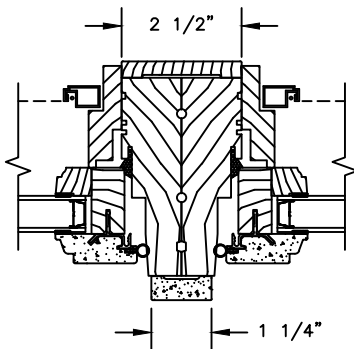
SCALE: 3" = 1'-0"



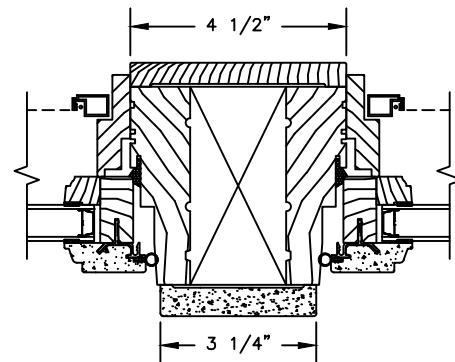
HORIZONTAL MULLION
STATIONARY/OPERATOR



VERTICAL MULLION
OPERATOR/PICTURE



VERTICAL MULLION
OPERATOR/OPERATOR



VERTICAL MULLION WITH
2" SPREAD MULL
ADDITIONAL WIDTHS INCLUDE:
1" - 5"


Pinnacle Series

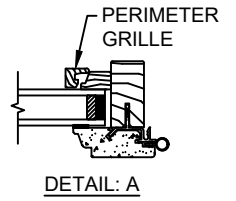
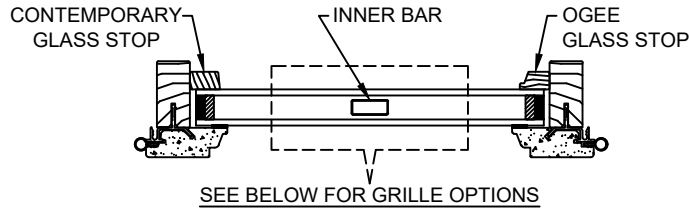
PRIMED AWNING

SECTION DETAILS : GLASS STOP & DIVIDED LITE OPTIONS

SCALE: 3" = 1'-0"

AVAILABLE STYLES

-  - PUTTY
-  - TALL PUTTY
-  - OGEE
-  - CONTEMPORARY



	5/8" WDL WITH INNER BAR	7/8" WDL WITH INNERBAR	1 1/4" WDL WITH INNERBAR	2" WDL WITH INNERBAR
STANDARD INSULATING GLASS				
13/16" INNERGRILLE				
3/4" PROFILED INNERGRILLE				
1" PROFILED INNERGRILLE				
7/8" STICK & PERIMETER GRILLE				
1 1/4" STICK & PERIMETER GRILLE				

NOTE:

* ALL WDL OPTIONS CAN BE ORDERED WITH OR WITHOUT INNER BAR

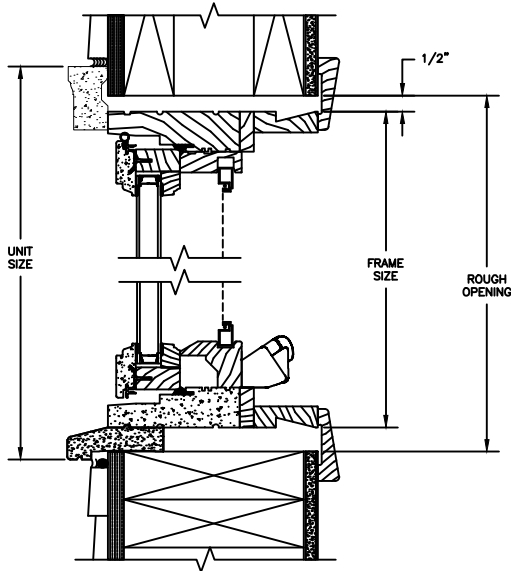
* PERIMETER GRILLES ONLY AVAILABLE IN THE 7/8" AND 1 1/4" OGEE STYLE GLASS STOP (SEE DETAIL: A)

Pinnacle Series

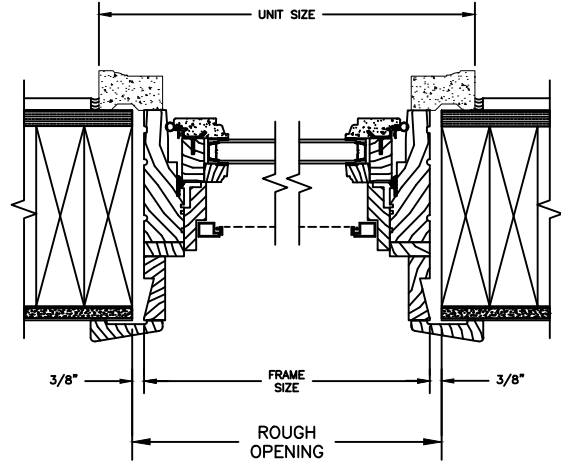
PRIMED AWNING

SECTION DETAILS : CONSTRUCTION

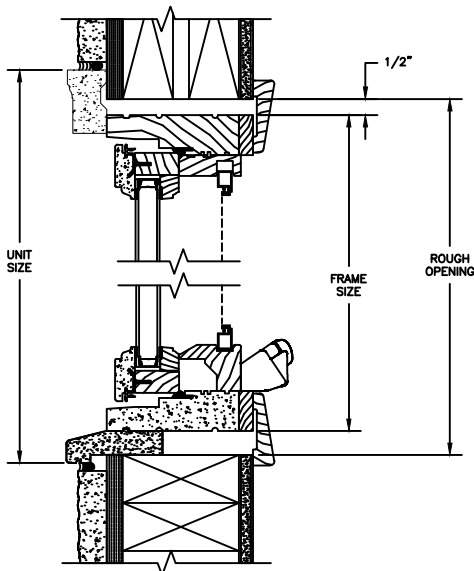
SCALE: 2" = 1'-0"



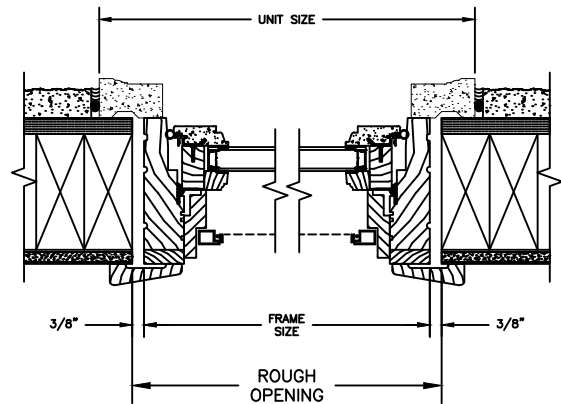
HEAD JAMB & SILL
2 X 6 FRAME WITH SIDING



JAMBS
2 X 6 FRAME WITH SIDING



HEAD JAMB & SILL
2 X 4 FRAME WITH STUCCO



JAMBS
2 X 4 FRAME WITH STUCCO

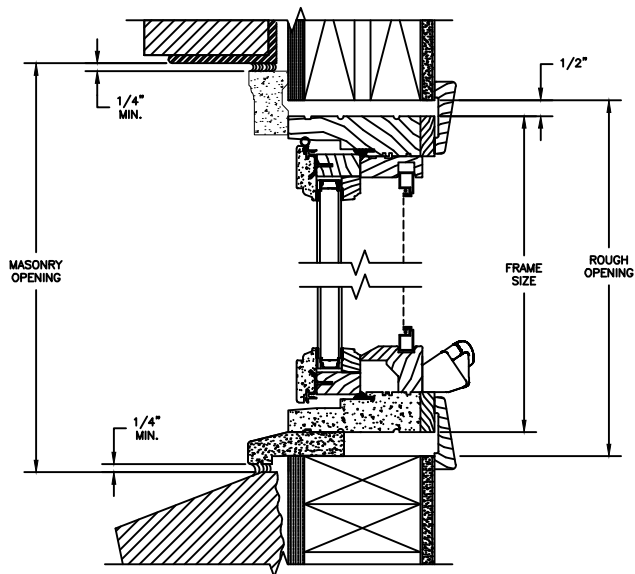
NOTE:
THE ABOVE WALL SECTIONS REPRESENT TYPICAL WALL CONDITIONS, THESE DETAILS ARE NOT INTENDED AS INSTALLATIONS INSTRUCTIONS. PLEASE REFER TO THE INSTALLATION INSTRUCTIONS PROVIDED WITH THE PURCHASED UNITS.

Pinnacle Series

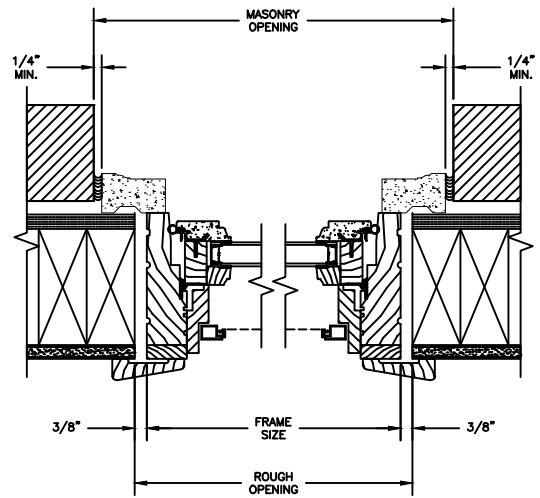
PRIMED AWNING

SECTION DETAILS : CONSTRUCTION

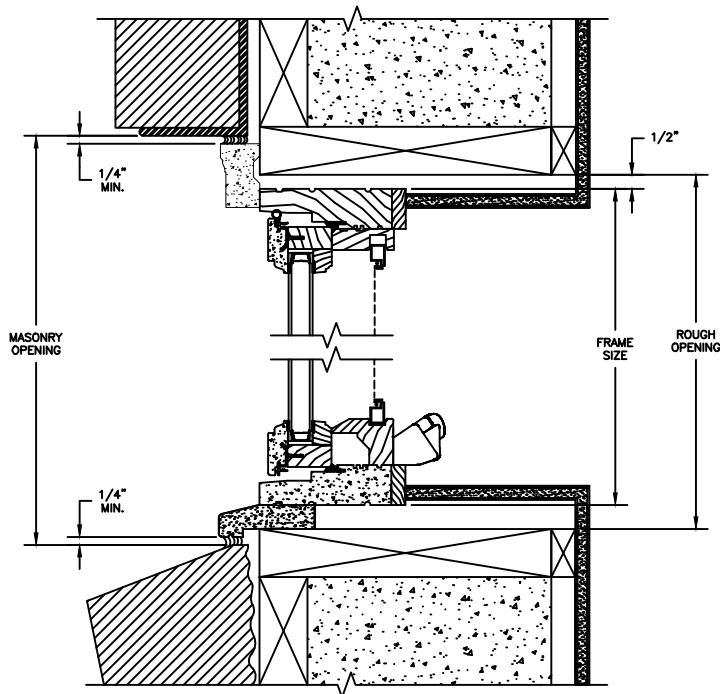
SCALE: 2" = 1'-0"



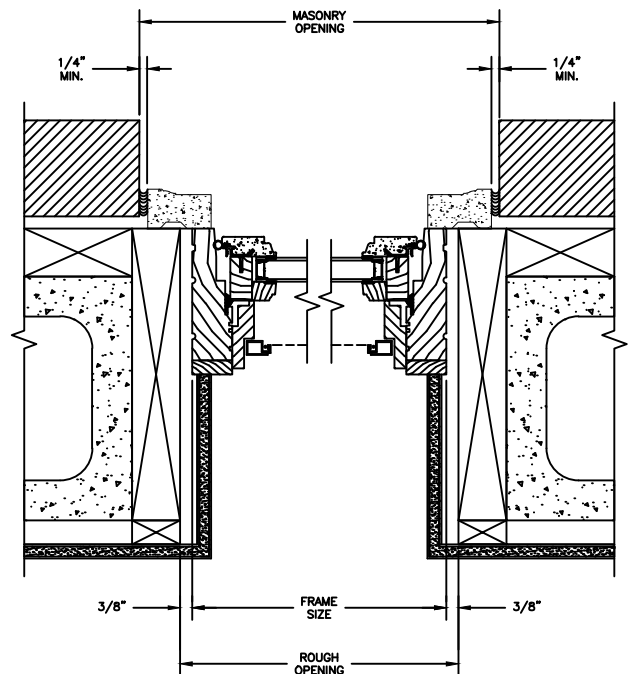
HEAD JAMB & SILL
2 X 4 FRAME WITH BRICK VENEER



JAMBS
2 X 4 FRAME WITH BRICK VENEER



HEAD JAMB & SILL
8" CONCRETE BLOCK WALL
WITH BRICK VENEER



JAMBS
8" CONCRETE BLOCK WALL
WITH BRICK VENEER

NOTE :
THE ABOVE WALL SECTIONS REPRESENT TYPICAL WALL CONDITIONS. THESE DETAILS ARE NOT INTENDED AS INSTALLATIONS INSTRUCTIONS. PLEASE REFER TO THE INSTALLATION INSTRUCTIONS PROVIDED WITH THE PURCHASED UNITS.