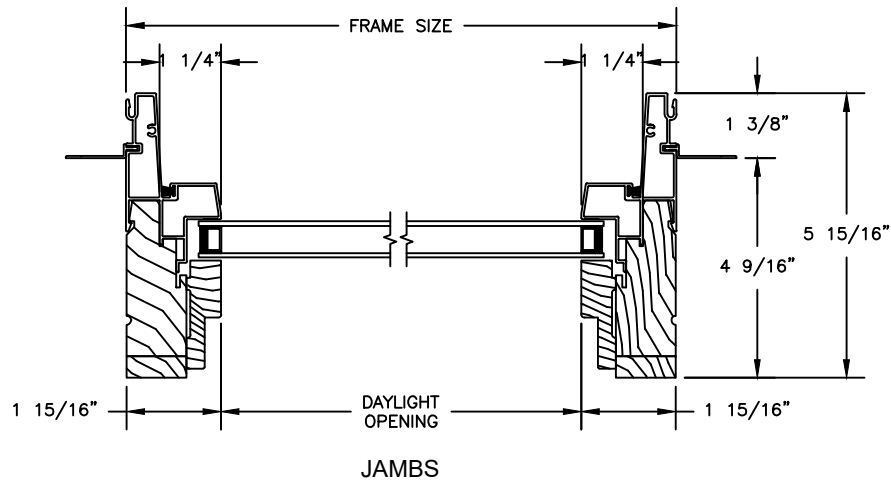
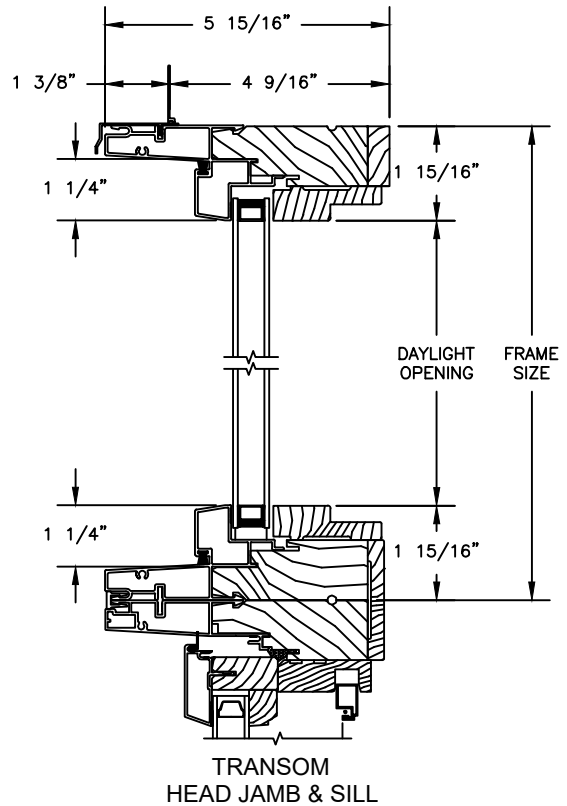
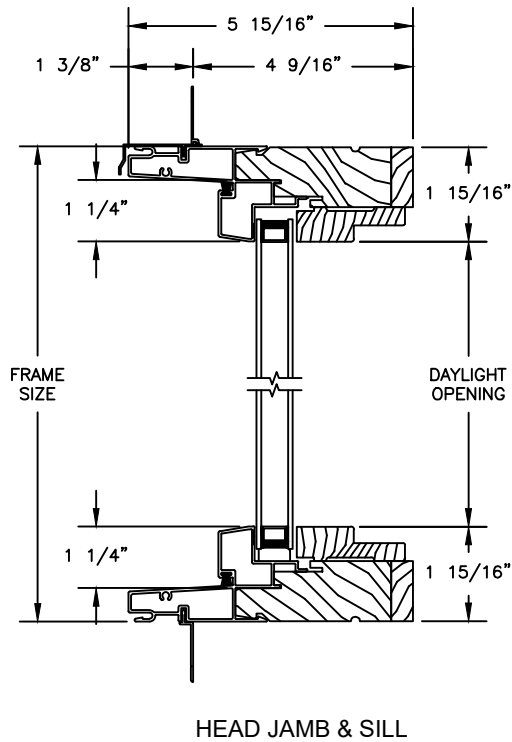


# Pinnacle Series

## CLAD DIRECT SET

SECTION DETAILS: DIRECT GLAZE  
SCALE: 3" = 1'-0"



### NOTES:

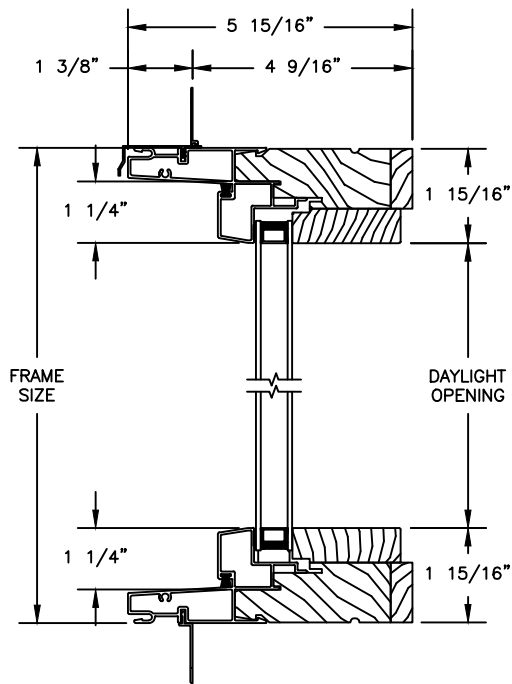
1. FOR RECTANGULAR UNITS, THE RELATIONSHIP BETWEEN GLASS SIZE, FRAME DIMENSION, ROUGH OPENING AND UNIT DIMENSION IS AS SHOWN ABOVE.
2. FOR TRAPEZOID & PENTIOD UNIT, THE RELATIONSHIP BETWEEN GLASS SIZE WIDTH, FRAME DIMENSION WIDTH, ROUGH OPENING WIDTH AND UNIT DIMENSION WIDTH IS AS SHOWN ABOVE.
3. ALL OTHER DIMENSIONAL RELATIONSHIPS, INCLUDING HEIGHTS OF TRAPEZOIDS AND PENTIODS, AND WIDTHS AND HEIGHTS OF TRIANGLES, AND OCTAGONS DEPEND UPON THE INCLUSIVE ANGLES, AND MUST BE CALCULATED SEPARATELY FOR EACH UNIT.

# Pinnacle Series

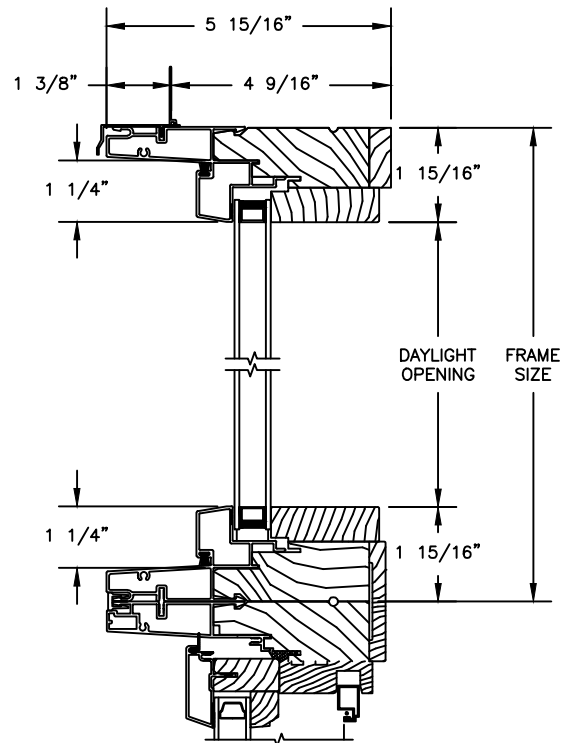
## CLAD DIRECT SET

### SECTION DETAILS: DIRECT GLAZE WITH CONTEMPORARY STOPS

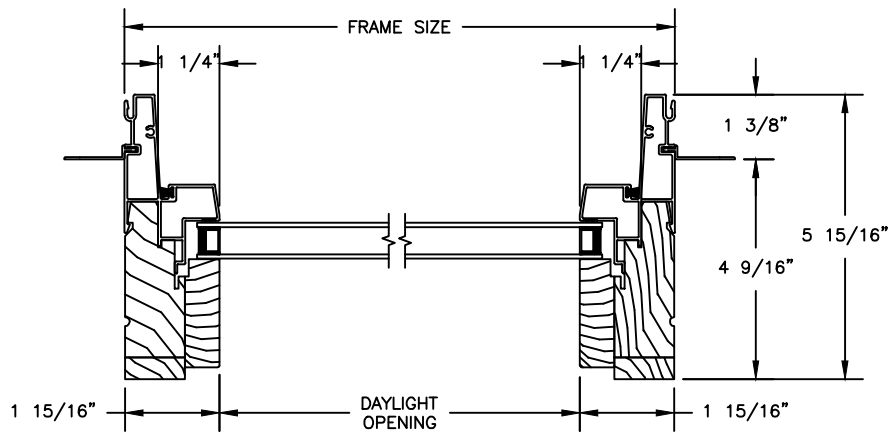
SCALE: 3" = 1'-0"



HEAD JAMB & SILL



TRANSOM  
HEAD JAMB & SILL



JAMBS

NOTES:

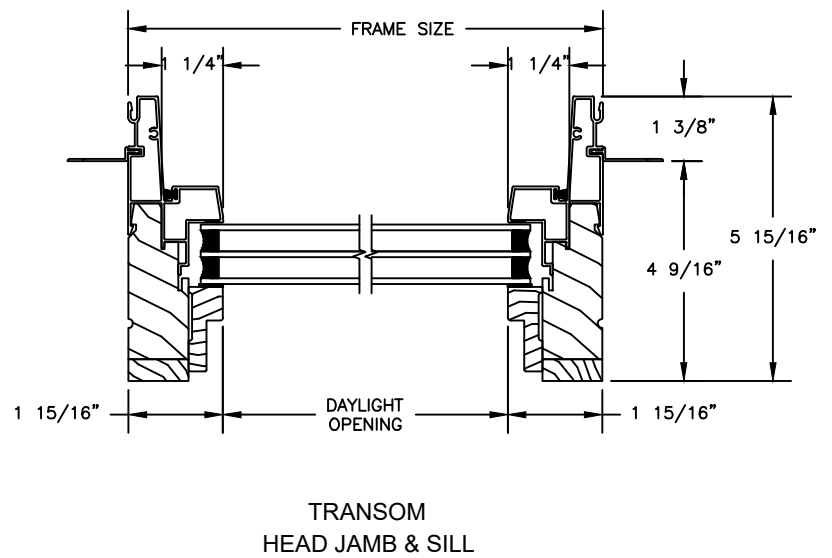
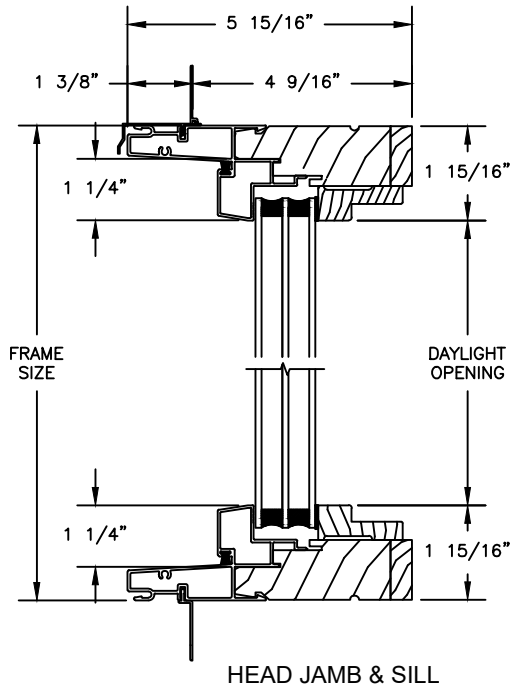
1. FOR RECTANGULAR UNITS, THE RELATIONSHIP BETWEEN GLASS SIZE, FRAME DIMENSION, ROUGH OPENING AND UNIT DIMENSION IS AS SHOWN ABOVE.
2. FOR TRAPEZOID & PENTIOD UNIT, THE RELATIONSHIP BETWEEN GLASS SIZE WIDTH, FRAME DIMENSION WIDTH, ROUGH OPENING WIDTH AND UNIT DIMENSION WIDTH IS AS SHOWN ABOVE.
3. ALL OTHER DIMENSIONAL RELATIONSHIPS, INCLUDING HEIGHTS OF TRAPEZOID AND PENTIODS, AND WIDTHS AND HEIGHTS OF TRIANGLES, AND OCTAGONS DEPEND UPON THE INCLUSIVE ANGLES, AND MUST BE CALCULATED SEPARATELY FOR EACH UNIT.

# Pinnacle Series

## CLAD DIRECT SET

SECTION DETAILS: 1 1/4" TRIPLE IG DIRECT GLAZE

SCALE: 3" = 1'-0"



### NOTES:

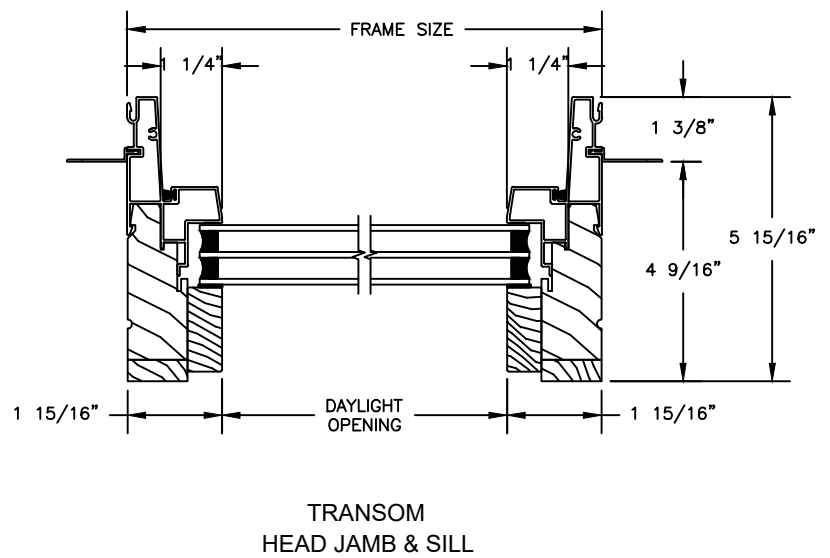
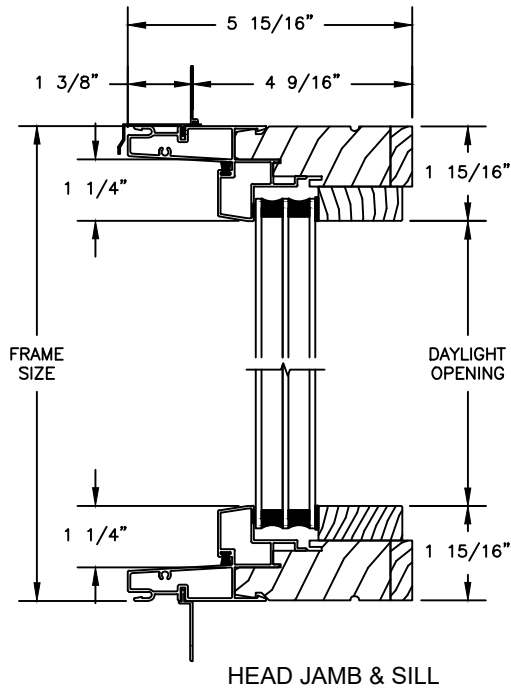
1. FOR RECTANGULAR UNITS, THE RELATIONSHIP BETWEEN GLASS SIZE, FRAME DIMENSION, ROUGH OPENING AND UNIT DIMENSION IS AS SHOWN ABOVE.
2. FOR TRAPEZOID & PENTIOD UNIT, THE RELATIONSHIP BETWEEN GLASS SIZE WIDTH, FRAME DIMENSION WIDTH, ROUGH OPENING WIDTH AND UNIT DIMENSION WIDTH IS AS SHOWN ABOVE.
3. ALL OTHER DIMENSIONAL RELATIONSHIPS, INCLUDING HEIGHTS OF TRAPEZOID AND PENTIODS, AND WIDTHS AND HEIGHTS OF TRIANGLES, AND OCTAGONS DEPEND UPON THE INCLUSIVE ANGLES, AND MUST BE CALCULATED SEPARATELY FOR EACH UNIT.

# Pinnacle Series

## CLAD DIRECT SET

SECTION DETAILS: 1 1/4" TRIPLE IG DIRECT GLAZE WITH CONTEMPORARY STOPS

SCALE: 3" = 1'-0"



### NOTES:

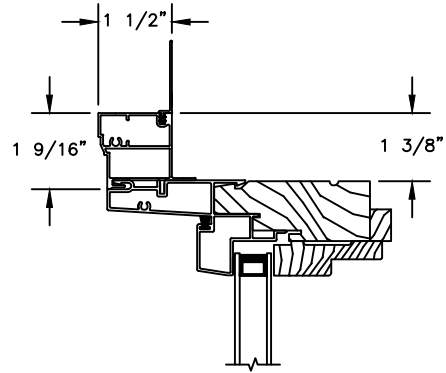
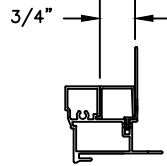
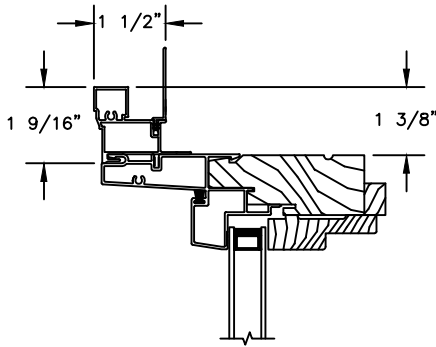
1. FOR RECTANGULAR UNITS, THE RELATIONSHIP BETWEEN GLASS SIZE, FRAME DIMENSION, ROUGH OPENING AND UNIT DIMENSION IS AS SHOWN ABOVE.
2. FOR TRAPEZOID & PENTIOD UNIT, THE RELATIONSHIP BETWEEN GLASS SIZE WIDTH, FRAME DIMENSION WIDTH, ROUGH OPENING WIDTH AND UNIT DIMENSION WIDTH IS AS SHOWN ABOVE.
3. ALL OTHER DIMENSIONAL RELATIONSHIPS, INCLUDING HEIGHTS OF TRAPEZOIDS AND PENTIODS, AND WIDTHS AND HEIGHTS OF TRIANGLES, AND OCTAGONS DEPEND UPON THE INCLUSIVE ANGLES, AND MUST BE CALCULATED SEPARATELY FOR EACH UNIT.

# Pinnacle Series

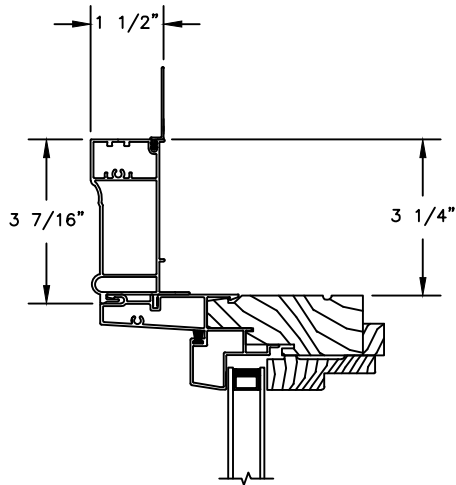
## CLAD DIRECT SET

SECTION DETAILS : CASING OPTIONS

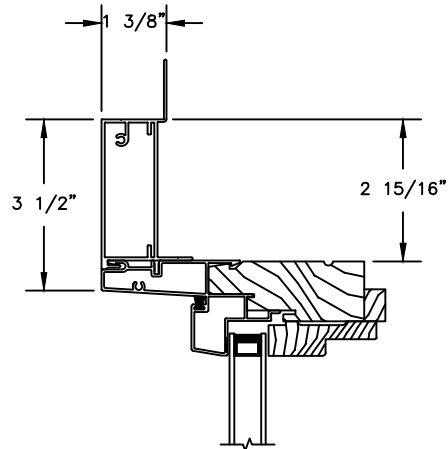
SCALE: 3" = 1'-0"



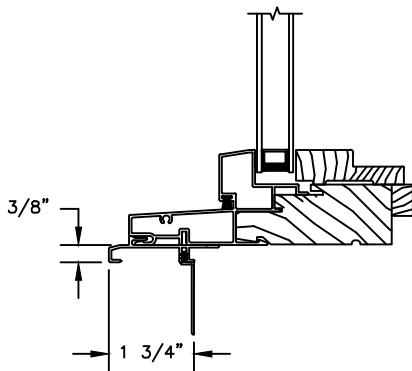
CLAD BRICKMOULD CASING  
WITH OPTIONAL J-CHANNEL COVER



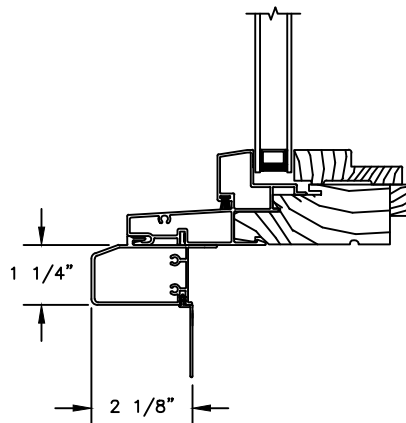
HEAD JAMB WITH  
CLAD WILLIAMSBURG CASING



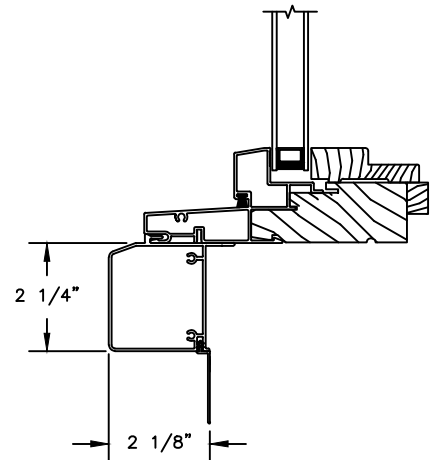
HEAD JAMB WITH  
3 1/2" CLAD FLAT CASING



SILL WITH  
12/11/23/8" CLAD SUBSILL



SILL WITH  
1 1/4" CLAD SUBSILL



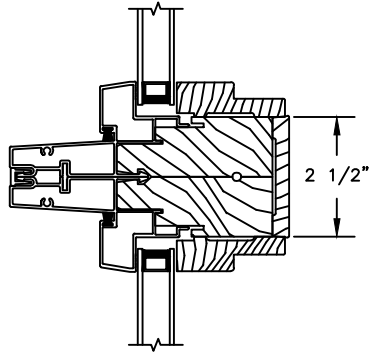
SILL WITH  
2 1/4" CLAD SUBSILL

# Pinnacle Series

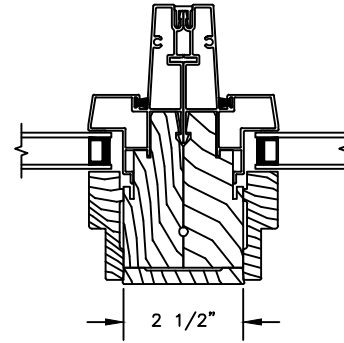
## CLAD DIRECT SET

SECTION DETAILS : MULLIONS

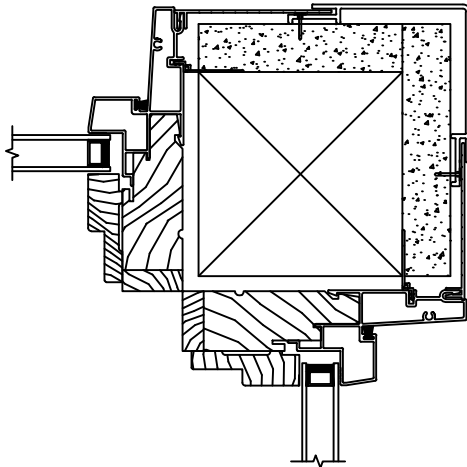
SCALE: 3" = 1'-0"



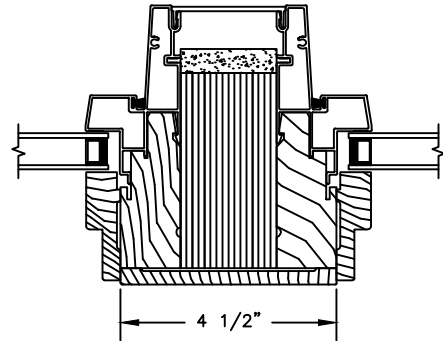
HORIZONTAL MULLION  
DIRECT SET/DIRECT SET



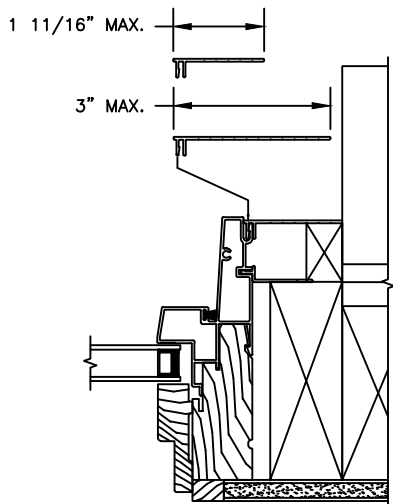
VERTICAL MULLION  
DIRECT SET/DIRECT SET



90° MULLION  
DIRECT SET/DIRECT SET  
(ONLY USED WITH 4 9/16" JAMB & 3 1/4"  
FRAME EXPANDER)



VERTICAL MULLION WITH  
2" SPREAD MULL  
ADDITIONAL WIDTHS INCLUDE:  
1", 2", 2 1/2", 3", & 4"

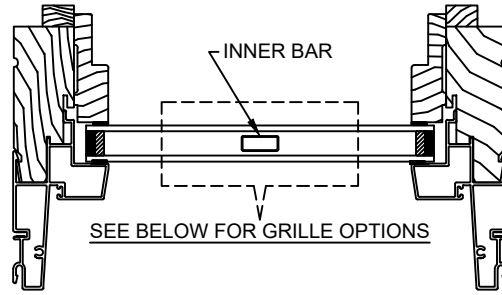


NOTE:  
FOR INFORMATION ON STRUCTURAL MULLIONS REFER TO  
THE PRODUCT PERFORMANCE AND INFORMATION SECTION.

# Pinnacle Series

## CLAD DIRECT SET

SECTION DETAILS : INSIDE STOP & DIVIDED LITE OPTIONS  
 SCALE: 3" = 1'-0"



AVAILABLE STYLES

- PUTTY
- TALL PUTTY\*
- OGEE
- CONTEMPORARY
- TALL CONTEMPORARY\*

\*CLAD EXTERIOR BAR ONLY

	5/8" WDL WITH INNER BAR	7/8" WDL WITH INNER BAR	1 1/4" WDL WITH INNER BAR	2" WDL WITH INNER BAR
STANDARD INSULATING GLASS				
13/16" INNERGRILLE				
3/4" PROFILED INNERGRILLE				
1" PROFILED INNERGRILLE				
7/8" STICK GRILLE				
1 1/4" STICK GRILLE				

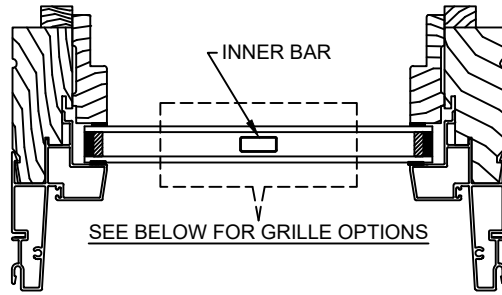
NOTE:  
 \* ALL WDL OPTIONS CAN BE ORDERED WITH OR WITHOUT INNER BAR

# Pinnacle Series

## CLAD DIRECT SET

SECTION DETAILS : INSIDE STOP & DIVIDED LITE OPTIONS

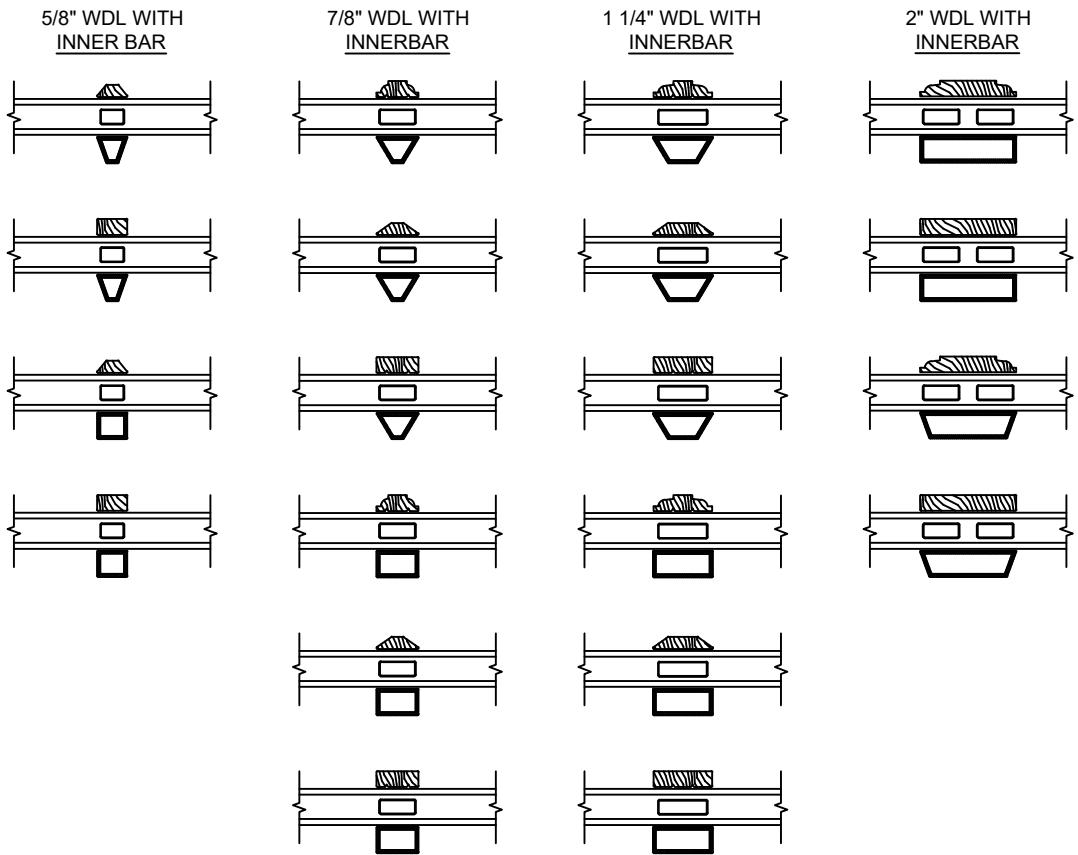
SCALE: 3" = 1'-0"



AVAILABLE STYLES

-  - PUTTY
-  - TALL PUTTY\*
-  - OGEE
-  - CONTEMPORARY
-  - TALL CONTEMPORARY\*

\*CLAD EXTERIOR BAR ONLY



NOTE:

\* ALL WDL OPTIONS CAN BE ORDERED WITH OR WITHOUT INNER BAR

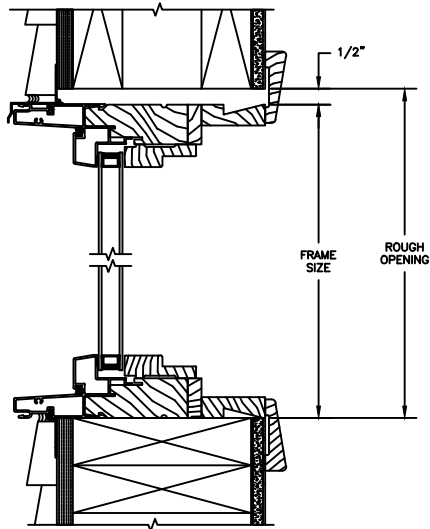


# Pinnacle Series

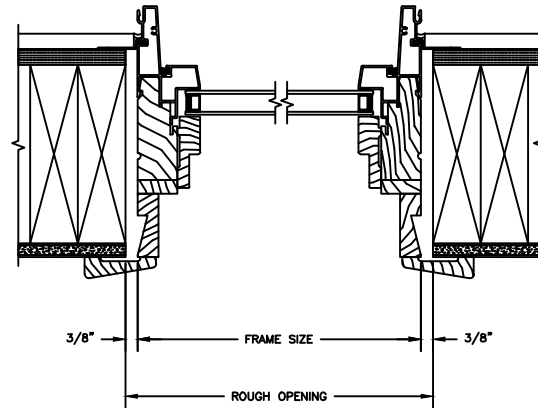
## CLAD DIRECT SET

SECTION DETAILS : CONSTRUCTION

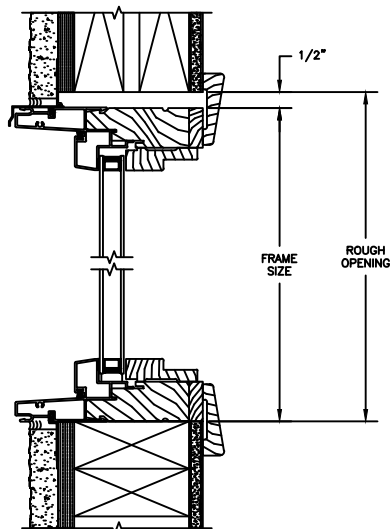
SCALE: 2" = 1'-0"



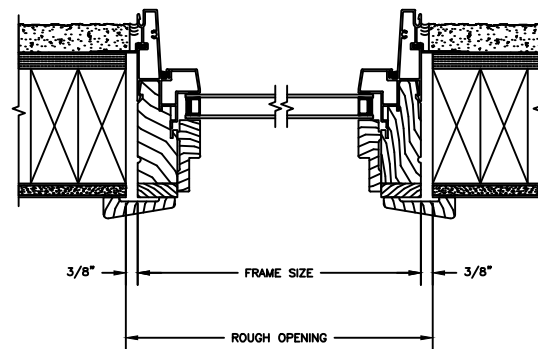
HEAD JAMB & SILL  
2 X 6 FRAME WITH SIDING



HEAD JAMB & SILL  
2 X 6 FRAME WITH SIDING



HEAD JAMB & SILL  
2 X 4 FRAME WITH STUCCO



JAMBS  
2 X 4 FRAME WITH STUCCO

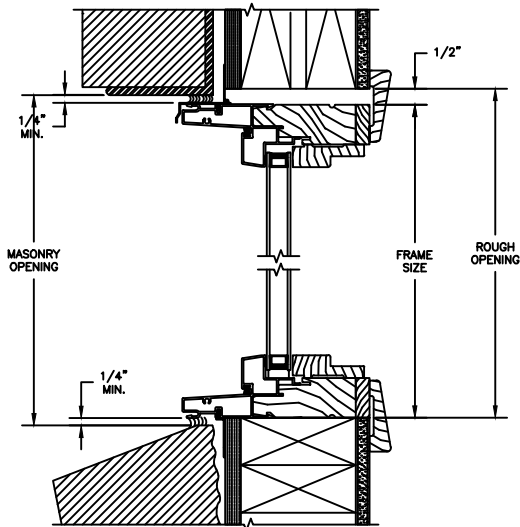
NOTE :  
THE ABOVE WALL SECTIONS REPRESENT TYPICAL WALL CONDITIONS, THESE DETAILS ARE NOT INTENDED AS INSTALLATIONS INSTRUCTIONS. PLEASE REFER TO THE INSTALLATION INSTRUCTIONS PROVIDED WITH THE PURCHASED UNITS.

# Pinnacle Series

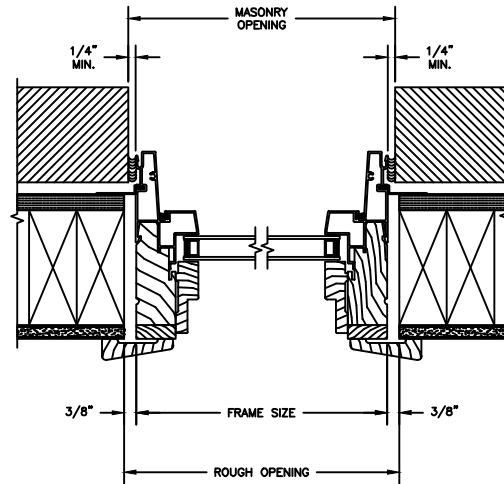
## CLAD DIRECT SET

SECTION DETAILS : CONSTRUCTION

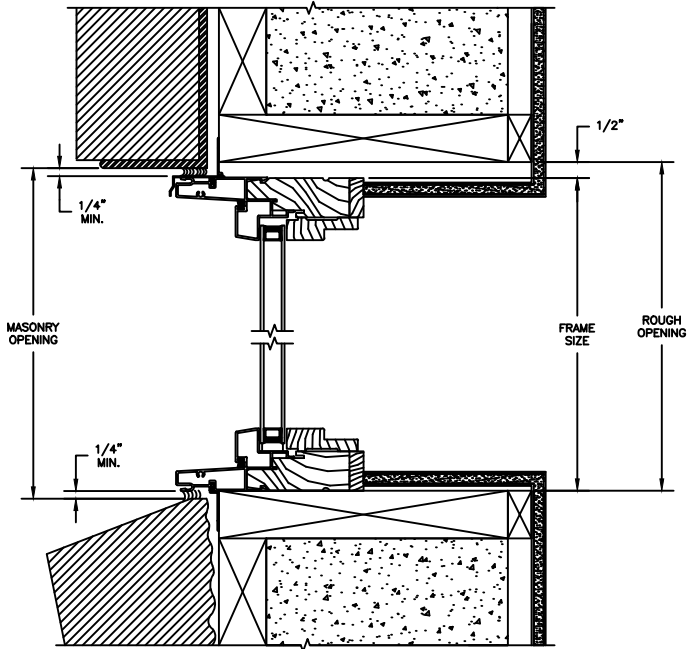
SCALE: 2" = 1'-0"



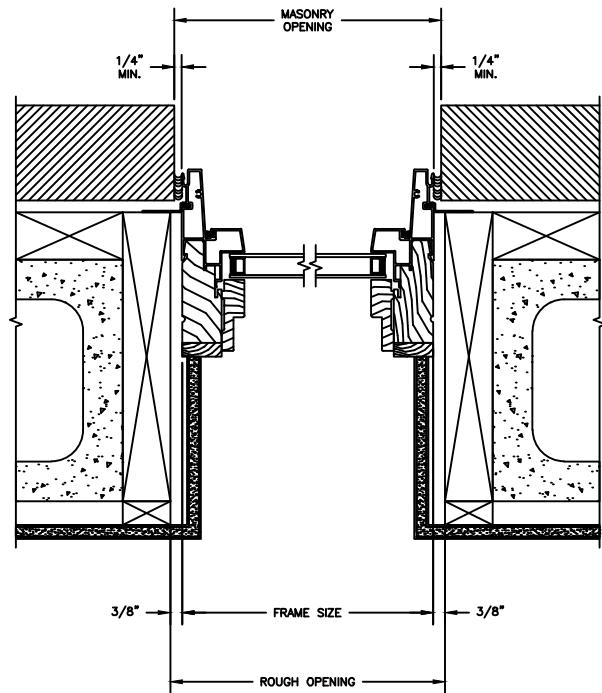
HEAD JAMB & SILL  
2 X 4 FRAME WITH BRICK VENEER



JAMBS  
2 X 4 FRAME WITH BRICK VENEER



HEAD JAMB & SILL  
8" CONCRETE BLOCK WALL  
WITH BRICK VENEER



JAMBS  
8" CONCRETE BLOCK WALL  
WITH BRICK VENEER

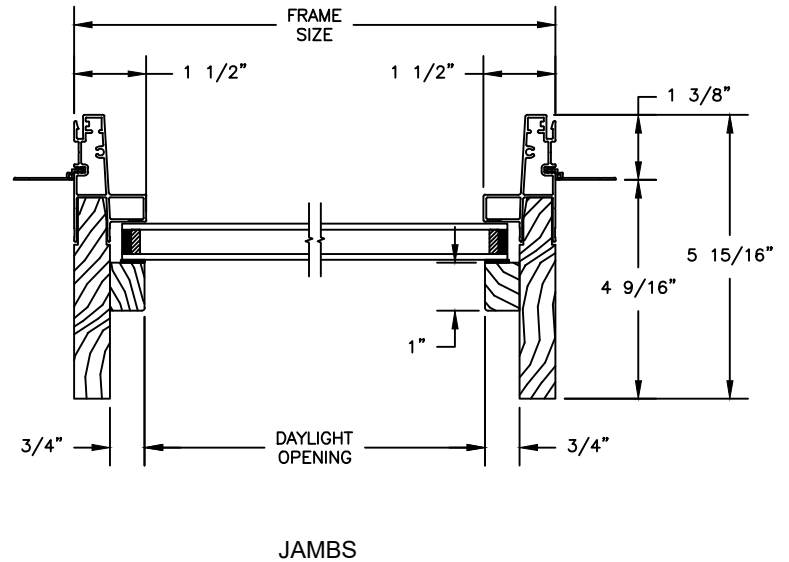
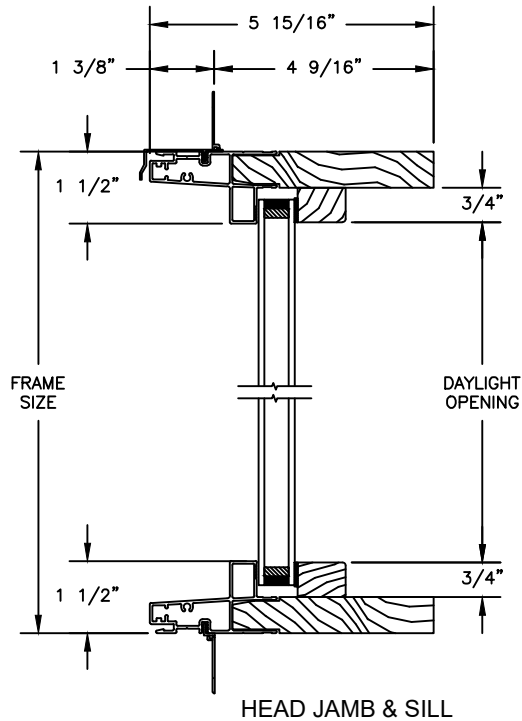
# Pinnacle Series

## CLAD DIRECT SET

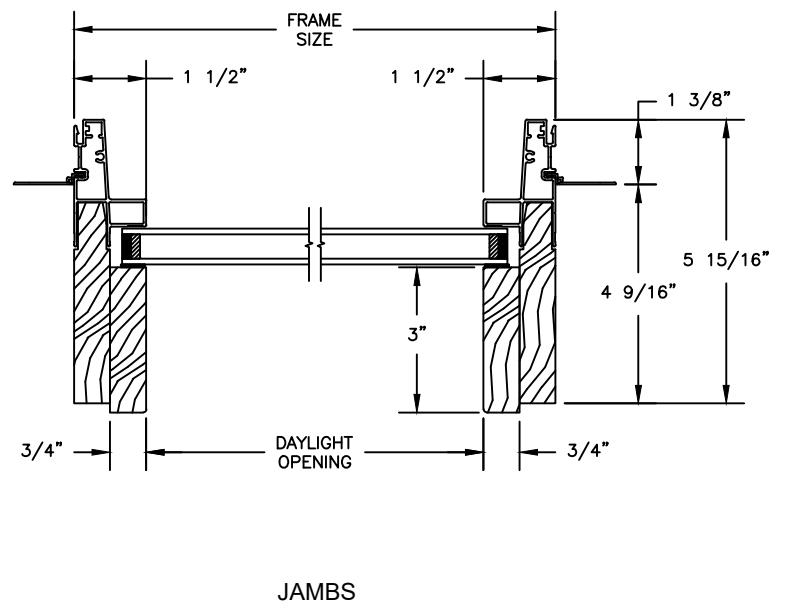
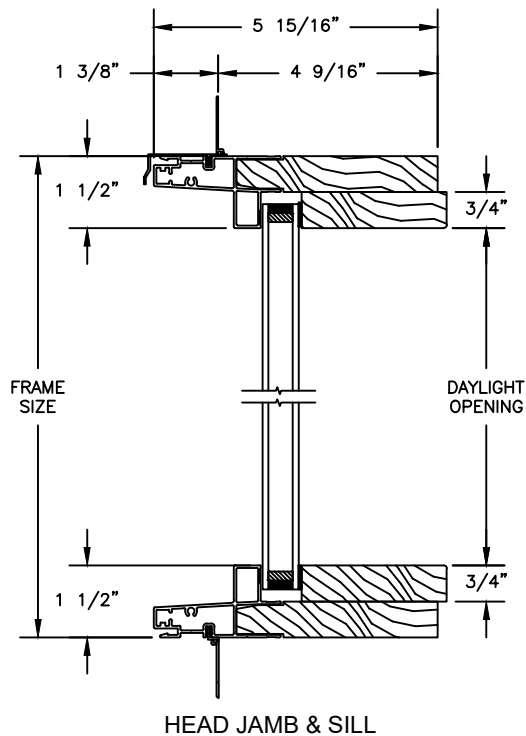
SECTION DETAILS: DIRECT GLAZE LOW PROFILE (RADIUS FRAME)

SCALE: 3" = 1'-0"

### TRADITIONAL INSIDE STOP



### CONTEMPORARY INSIDE STOP



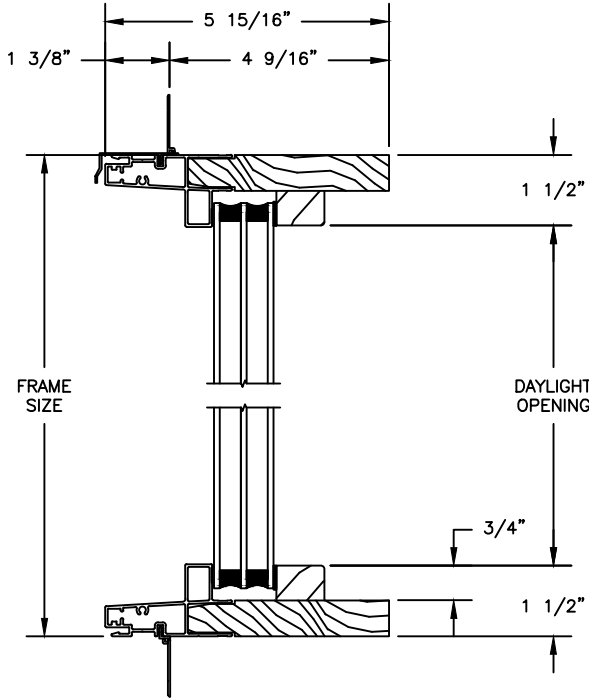
# Pinnacle Series

## CLAD DIRECT SET

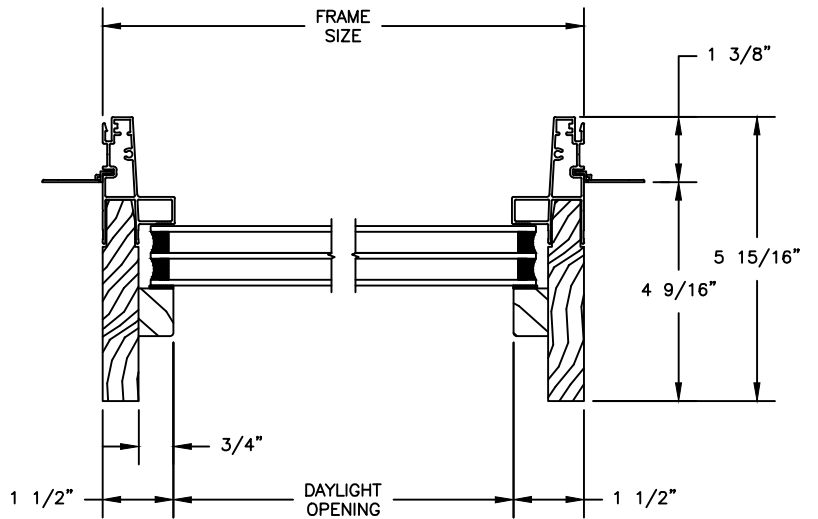
SECTION DETAILS: 1 1/4" TRIPLE IG LOW PROFILE (RADIUS FRAME)

SCALE: 3" = 1'-0"

### TRADITIONAL INSIDE STOP

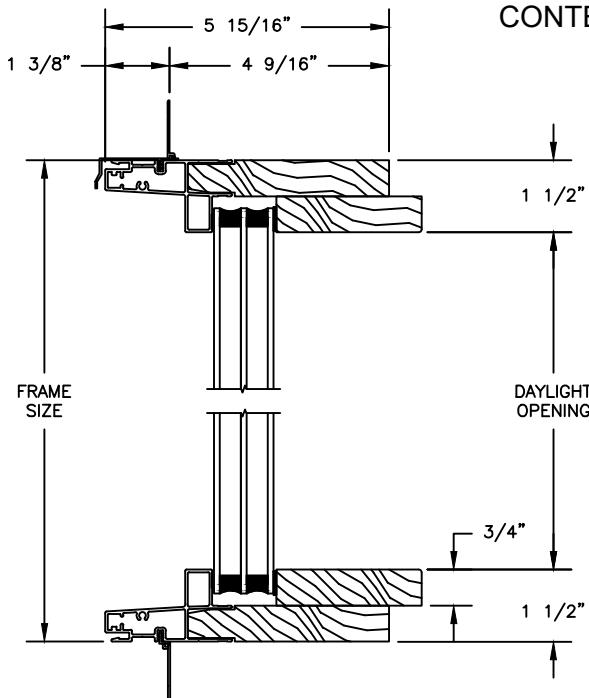


HEAD JAMB & SILL

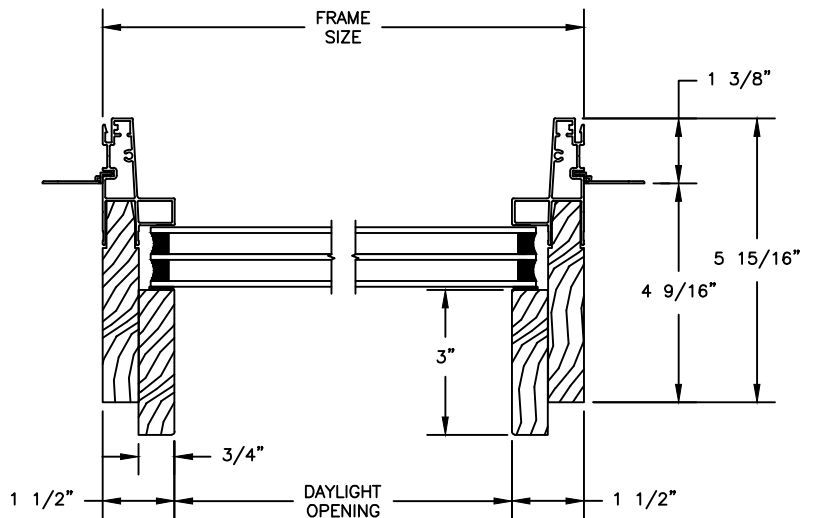


JAMBS

### CONTEMPORARY INSIDE STOP



HEAD JAMB & SILL



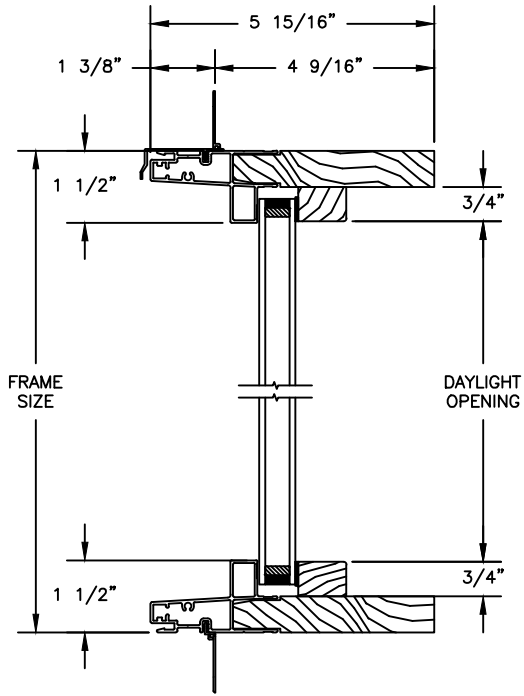
JAMBS

# Pinnacle Series

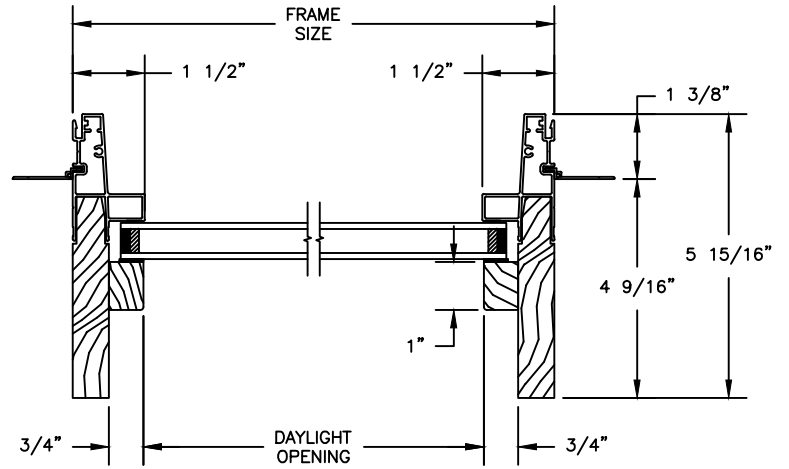
## CLAD DIRECT SET

SECTION DETAILS: (RADIUS FRAME) NAIL FIN & DRIP CAP OPTION

SCALE: 3" = 1'-0"



HEAD JAMB & SILL



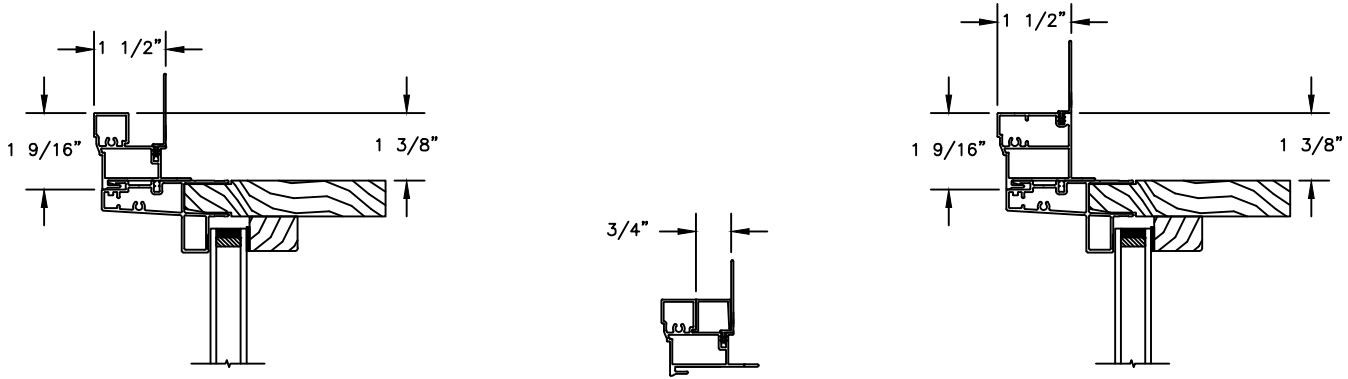
JAMBS

# Pinnacle Series

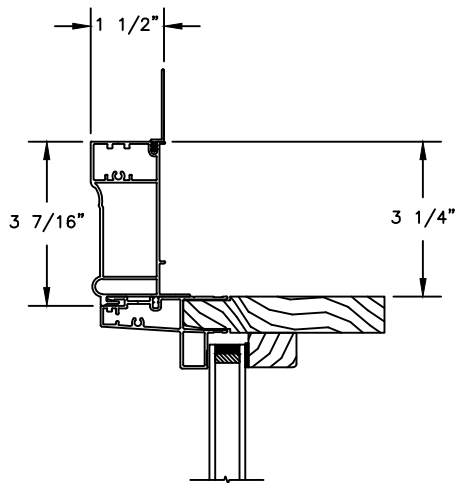
## CLAD DIRECT SET

SECTION DETAILS : LOW PROFILE CASING OPTIONS

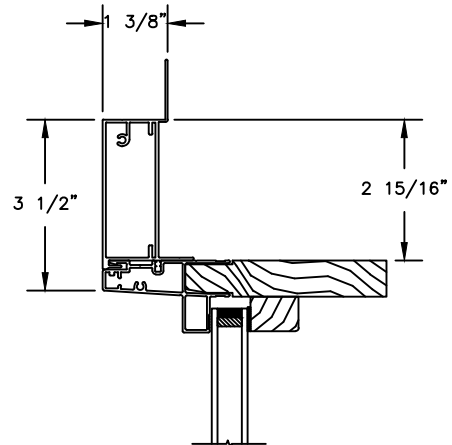
SCALE: 3" = 1'-0"



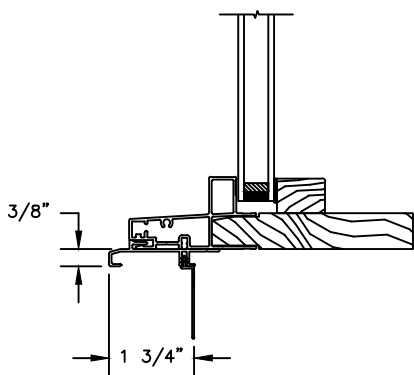
CLAD BRICKMOULD CASING  
WITH OPTIONAL J-CHANNEL COVER



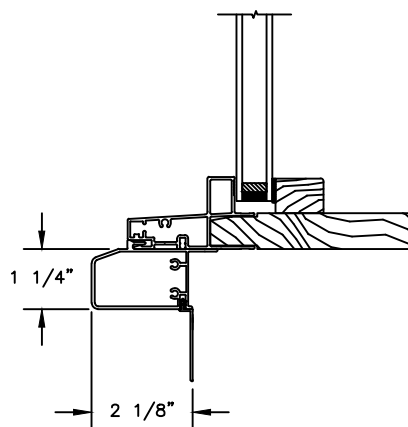
HEAD JAMB WITH  
CLAD WILLIAMSBURG CASING



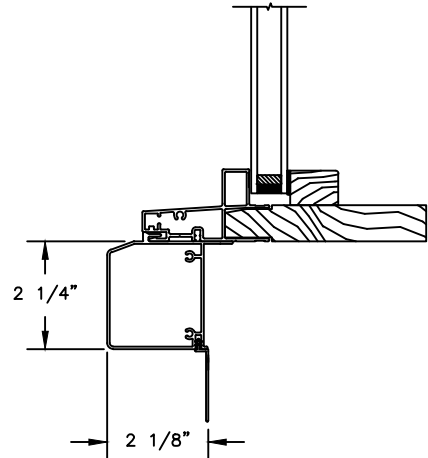
HEAD JAMB WITH  
3 1/2" CLAD FLAT CASING



SILL WITH  
12/11/23/8" CLAD SUBSILL



SILL WITH  
1 1/4" CLAD SUBSILL



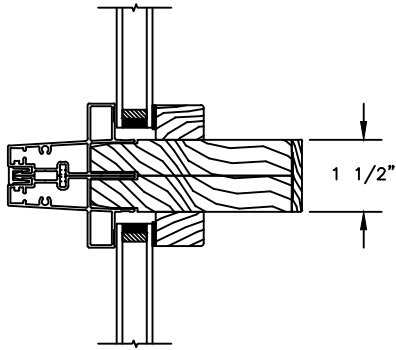
SILL WITH  
2 1/4" CLAD SUBSILL

# Pinnacle Series

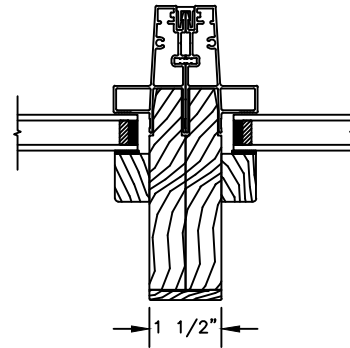
## CLAD DIRECT SET

SECTION DETAILS : LOW PROFILE MULLIONS

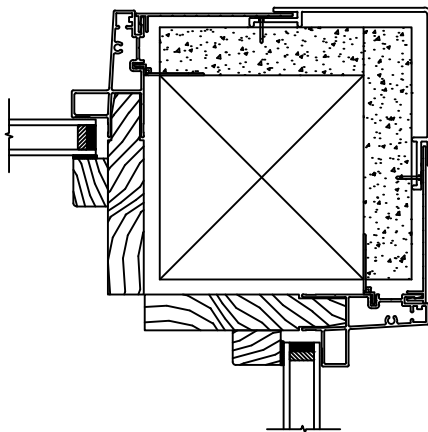
SCALE: 3" = 1'-0"



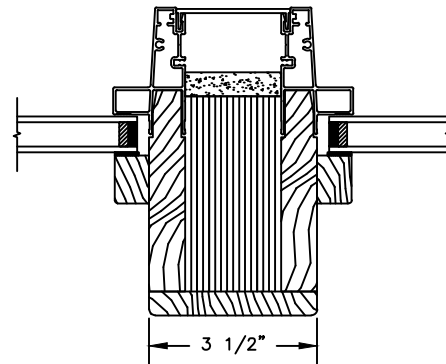
HORIZONTAL MULLION  
DIRECT SET/DIRECT SET



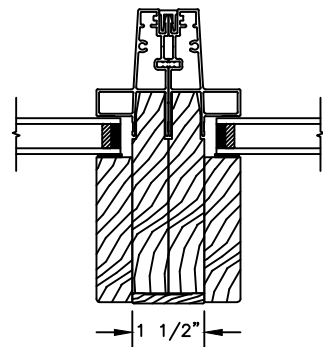
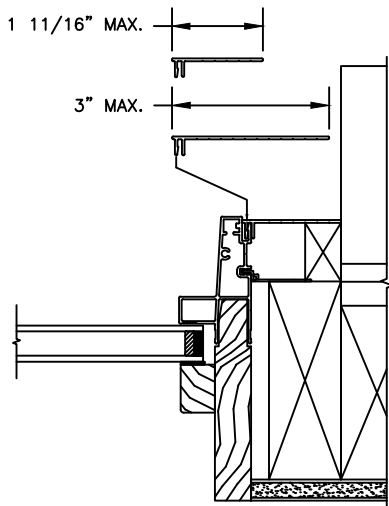
VERTICAL MULLION  
DIRECT SET/DIRECT SET



90° MULLION  
DIRECT SET/DIRECT SET  
(ONLY USED WITH 4 9/16" JAMB & 3 1/4"  
FRAME EXPANDER)



VERTICAL MULLION WITH  
2" SPREAD MULL  
ADDITIONAL WIDTHS INCLUDE:  
1", 2", 2 1/2", 3", & 4"



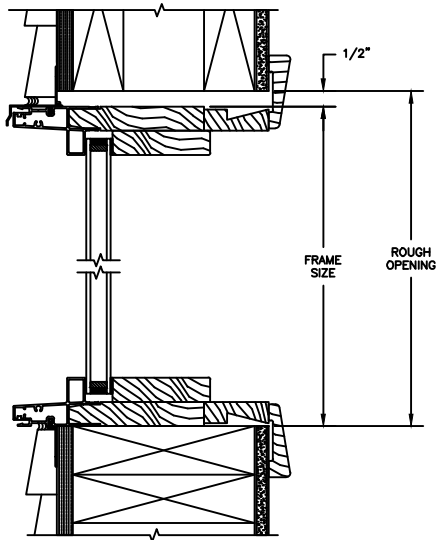
VERTICAL MULLION  
DIRECT SET/DIRECT SET  
CONTEMPORARY STOPS

NOTE:  
FOR INFORMATION ON STRUCTURAL MULLIONS REFER TO  
THE PRODUCT PERFORMANCE AND INFORMATION SECTION.

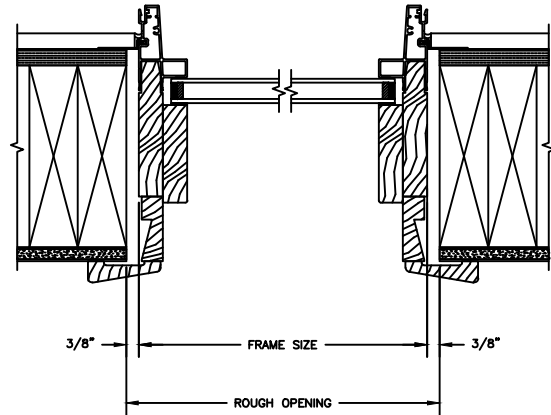
# Pinnacle Series

## CLAD DIRECT SET

SECTION DETAILS : LOW PROFILE CONSTRUCTION WITH CONTEMPORARY STOPS  
SCALE: 2" = 1'-0"



HEAD JAMB & SILL  
2 X 6 FRAME WITH SIDING



HEAD JAMB & SILL  
2 X 6 FRAME WITH SIDING

NOTE :  
THE ABOVE WALL SECTIONS REPRESENT TYPICAL WALL CONDITIONS, THESE DETAILS ARE NOT INTENDED AS INSTALLATIONS INSTRUCTIONS. PLEASE REFER TO THE INSTALLATION INSTRUCTIONS PROVIDED WITH THE PURCHASED UNITS.



# Pinnacle Series

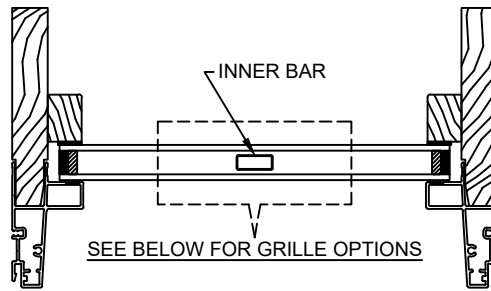
## CLAD DIRECT SET

SECTION DETAILS : LOW PROFILE DIVIDED LITE OPTIONS  
 SCALE: 3" = 1'-0"

AVAILABLE STYLES

-  - PUTTY
-  - TALL PUTTY\*
-  - OGEE
-  - CONTEMPORARY
-  - TALL CONTEMPORARY\*

\*CLAD EXTERIOR BAR ONLY



	5/8" WDL WITH INNER BAR	7/8" WDL WITH INNER BAR	1 1/4" WDL WITH INNER BAR	2" WDL WITH INNER BAR
STANDARD INSULATING GLASS				
13/16" INNERGRILLE				
3/4" PROFILED INNERGRILLE				
1" PROFILED INNERGRILLE				
7/8" STICK GRILLE				
1 1/4" STICK GRILLE				

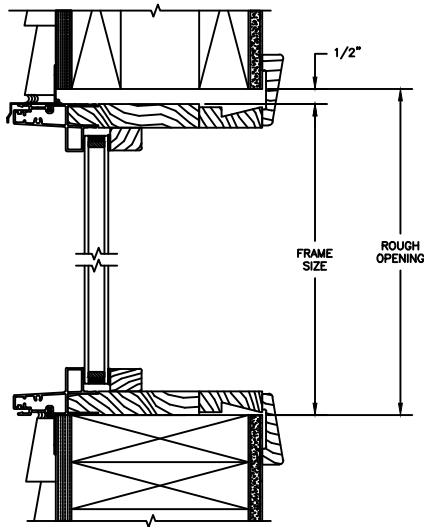
NOTE:  
 \* ALL WDL OPTIONS CAN BE ORDERED WITH OR WITHOUT INNER BAR

# Pinnacle Series

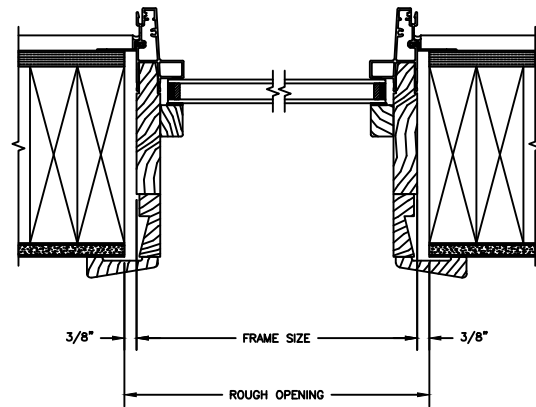
## CLAD DIRECT SET

SECTION DETAILS : LOW PROFILE CONSTRUCTION

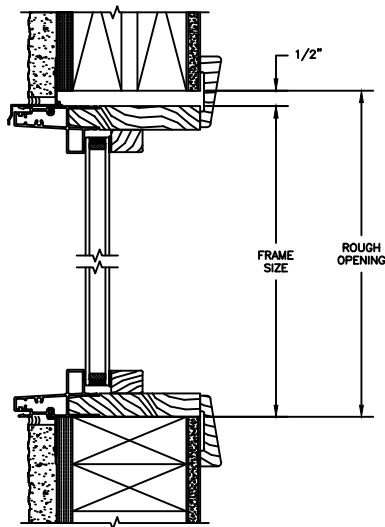
SCALE: 2" = 1'-0"



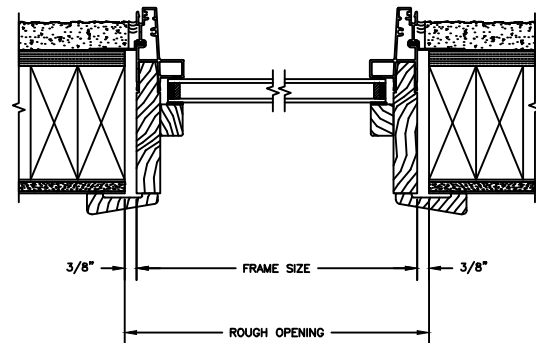
HEAD JAMB & SILL  
2 X 6 FRAME WITH SIDING



HEAD JAMB & SILL  
2 X 6 FRAME WITH SIDING



HEAD JAMB & SILL  
2 X 4 FRAME WITH STUCCO



JAMBS  
2 X 4 FRAME WITH STUCCO

NOTE :  
THE ABOVE WALL SECTIONS REPRESENT TYPICAL WALL CONDITIONS, THESE DETAILS ARE NOT INTENDED AS INSTALLATIONS INSTRUCTIONS. PLEASE REFER TO THE INSTALLATION INSTRUCTIONS PROVIDED WITH THE PURCHASED UNITS.

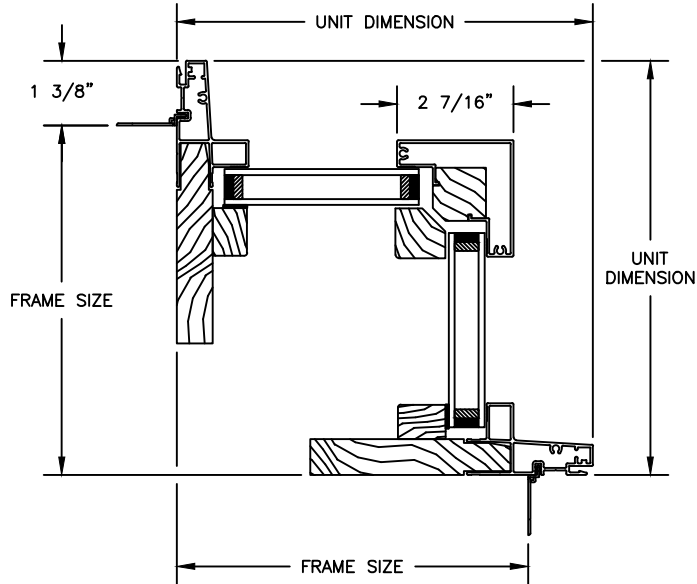
# Pinnacle Series

## CLAD DIRECT SET

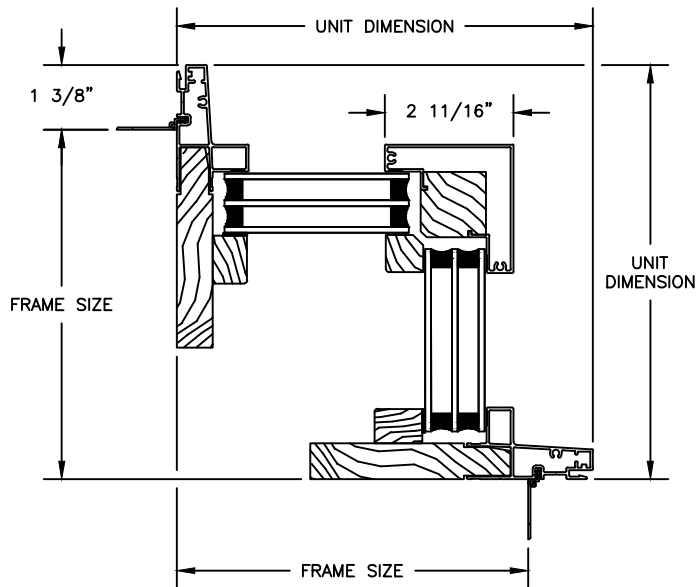
SECTION DETAILS: LOW PROFILE CORNER WINDOW (RADIUS FRAME)

SCALE: 3" = 1'-0"

3/4" IG



1 1/4" TRIPLE IG

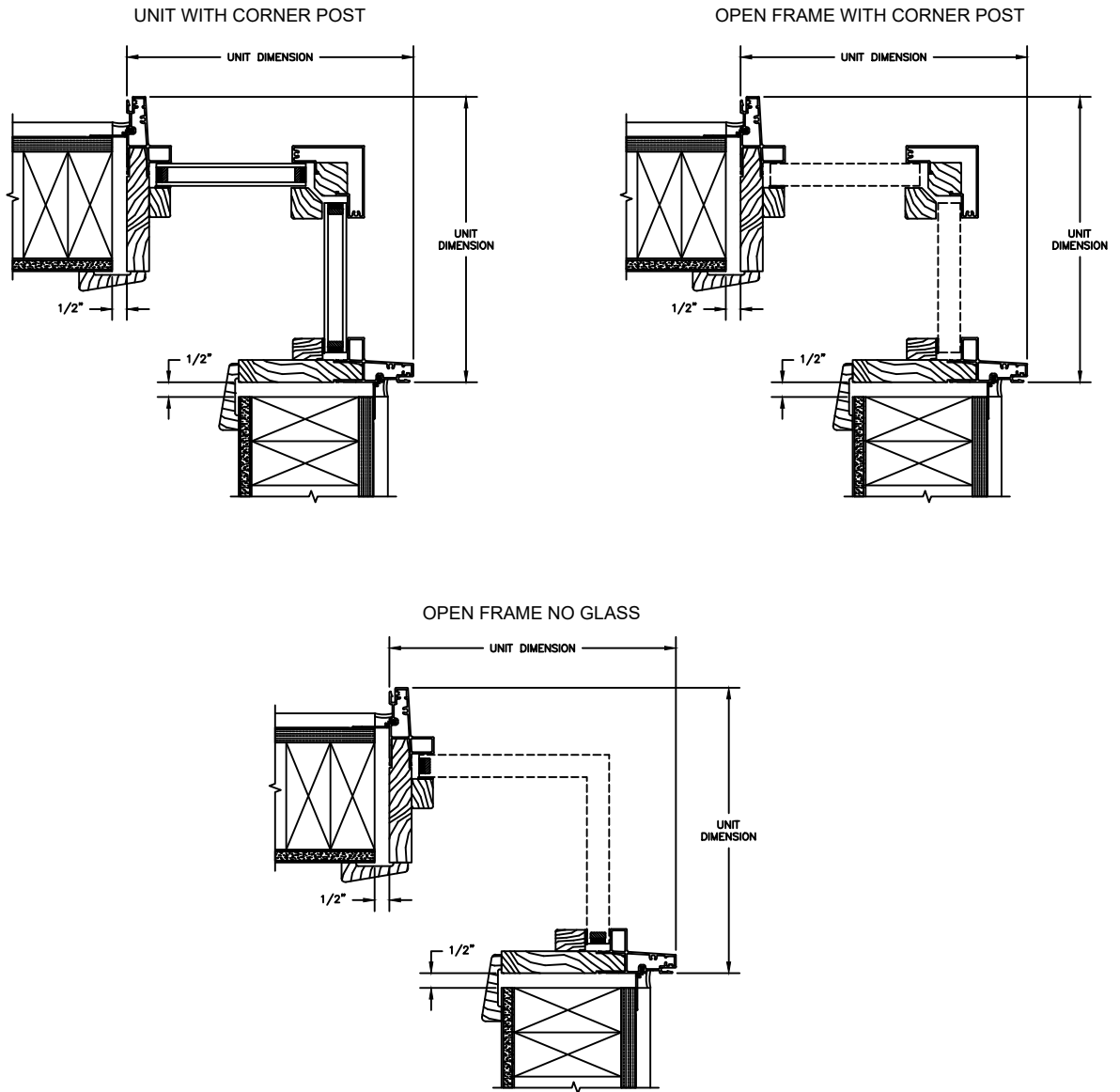


# Pinnacle Series

## CLAD DIRECT SET

SECTION DETAILS : CORNER WINDOW CONSTRUCTION  
SCALE: 2" = 1'-0"

2 X 4 FRAME WITH SIDING

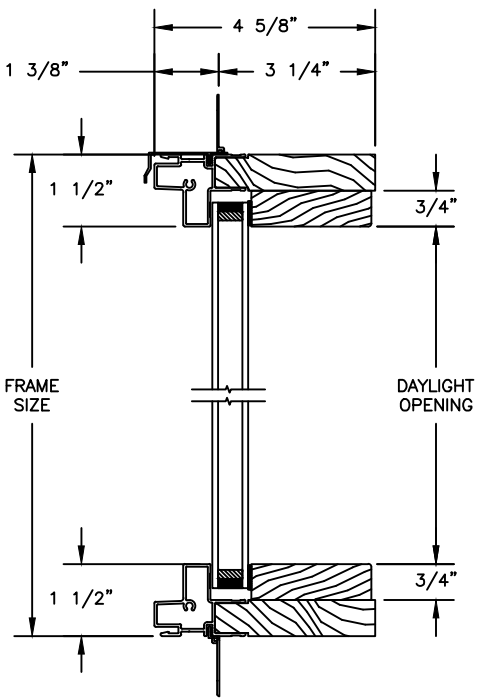


# Pinnacle Series

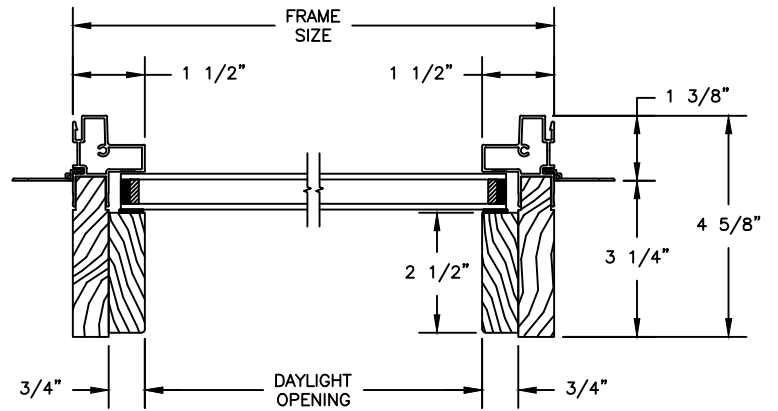
## CLAD DIRECT SET

SECTION DETAILS: DIRECT GLAZE 3 1/4" FRAME

SCALE: 3" = 1'-0"



HEAD JAMB & SILL



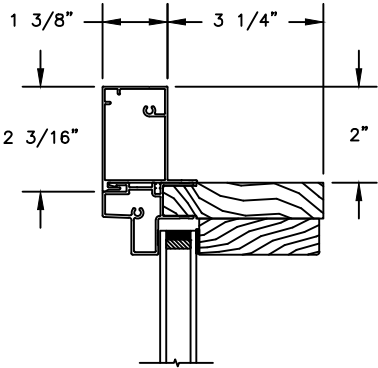
JAMBS

# Pinnacle Series

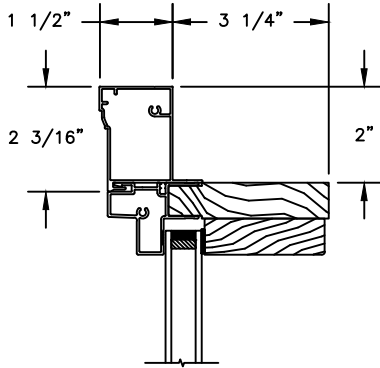
## CLAD DIRECT SET - 3 1/4" FRAME

SECTION DETAILS : FLUSH FIN

SCALE: 3" = 1'-0"



HEAD JAMB WITH  
CONTEMPORARY FLUSH FIN



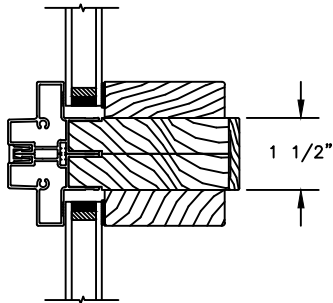
HEAD JAMB WITH  
TRADITIONAL FLUSH FIN

# Pinnacle Series

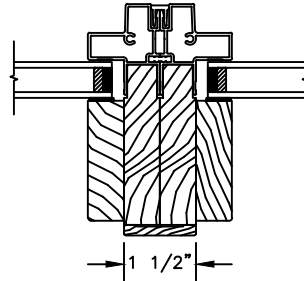
## CLAD DIRECT SET

SECTION DETAILS : 3 1/4" FRAME MULLIONS

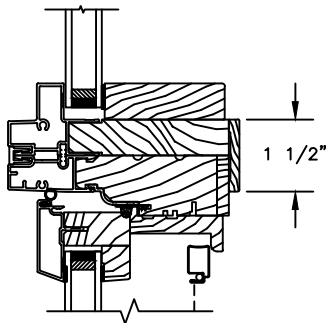
SCALE: 3" = 1'-0"



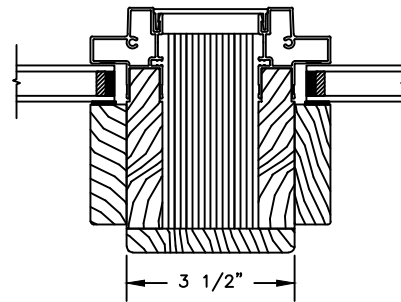
HORIZONTAL MULLION  
DIRECT SET/DIRECT SET



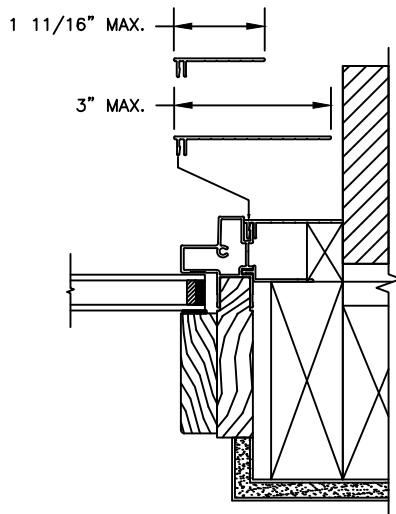
VERTICAL MULLION  
DIRECT SET/DIRECT SET



HORIZONTAL MULLION  
DIRECT SET/OPERATOR



VERTICAL MULLION WITH  
2" SPREAD MULL  
ADDITIONAL WIDTHS INCLUDE:  
1", 2", 2 1/2", 3", & 4"

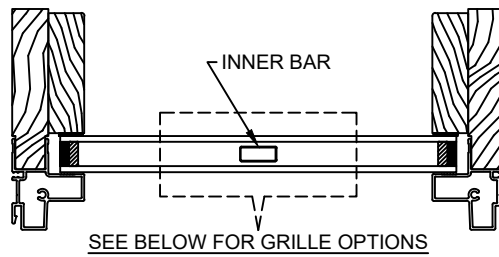


NOTE:  
FOR INFORMATION ON STRUCTURAL MULLIONS REFER TO  
THE PRODUCT PERFORMANCE AND INFORMATION SECTION.

# Pinnacle Series

## CLAD DIRECT SET

SECTION DETAILS : 3 1/4" FRAME DIVIDED LITE OPTIONS  
 SCALE: 3" = 1'-0"



AVAILABLE STYLES

-  - PUTTY
-  - TALL PUTTY\*
-  - OGEE
-  - CONTEMPORARY
-  - TALL CONTEMPORARY\*

\*CLAD EXTERIOR BAR ONLY

	5/8" WDL WITH INNER BAR	7/8" WDL WITH INNER BAR	1 1/4" WDL WITH INNERBAR	2" WDL WITH INNERBAR
STANDARD INSULATING GLASS				
13/16" INNERGRILLE				
3/4" PROFILED INNERGRILLE				
1" PROFILED INNERGRILLE				
7/8" STICK GRILLE				
1 1/4" STICK GRILLE				

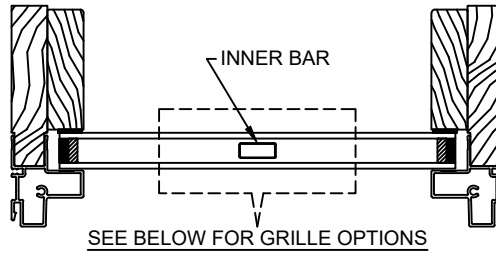
NOTE:  
 \* ALL WDL OPTIONS CAN BE ORDERED WITH OR WITHOUT INNER BAR



# Pinnacle Series

## CLAD DIRECT SET

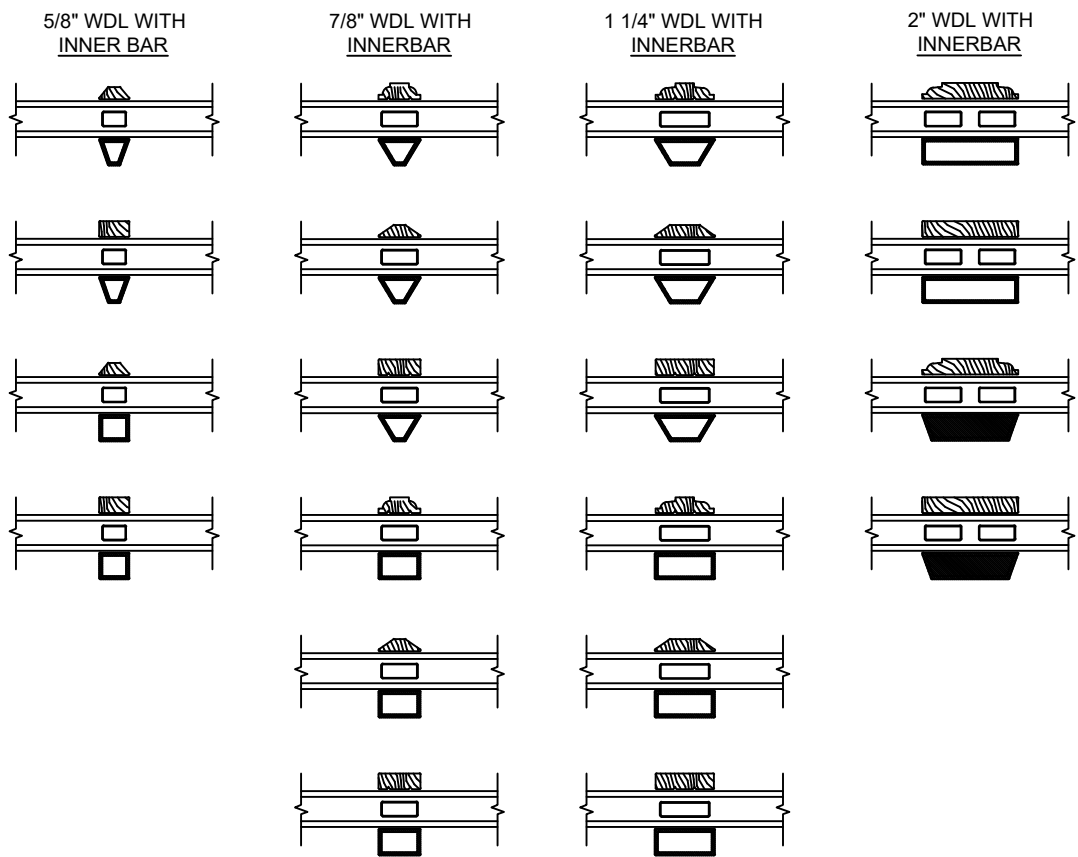
SECTION DETAILS : 3 1/4" FRAME DIVIDED LITE OPTIONS  
 SCALE: 3" = 1'-0"



AVAILABLE STYLES

-  - PUTTY
-  - TALL PUTTY\*
-  - OGEE
-  - CONTEMPORARY
-  - TALL CONTEMPORARY\*

\*CLAD EXTERIOR BAR ONLY



NOTE:

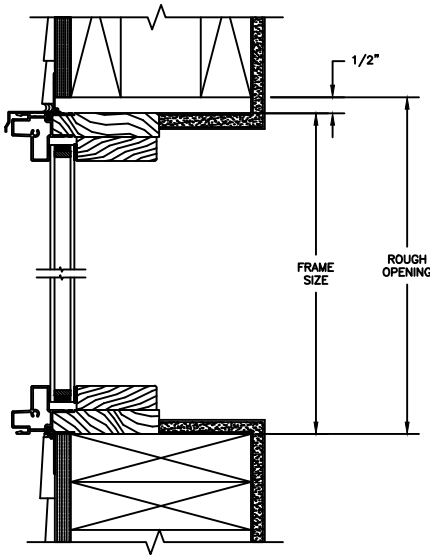
\* ALL WDL OPTIONS CAN BE ORDERED WITH OR WITHOUT INNER BAR

# Pinnacle Series

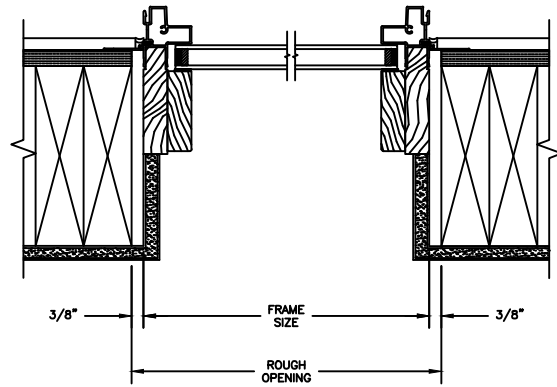
## CLAD DIRECT SET- 3 1/4" FRAME

SECTION DETAILS : CONSTRUCTION

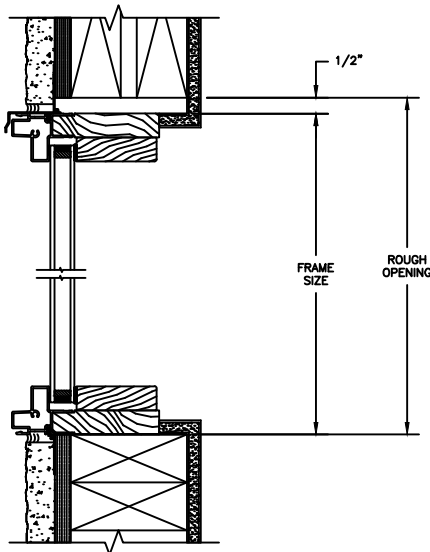
SCALE: 2" = 1'-0"



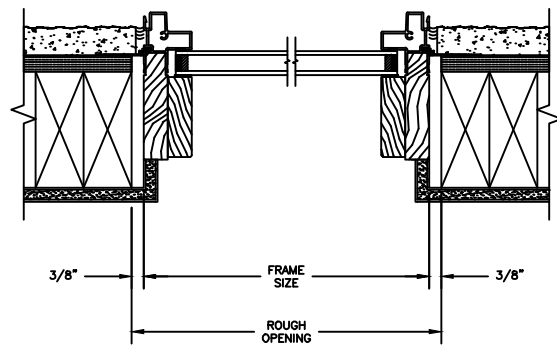
HEAD JAMB & SILL  
2 X 6 FRAME WITH SIDING



JAMBS  
2 X 6 FRAME WITH SIDING



HEAD JAMB & SILL  
2 X 4 FRAME WITH STUCCO



JAMBS  
2 X 4 FRAME WITH STUCCO

**NOTE :**

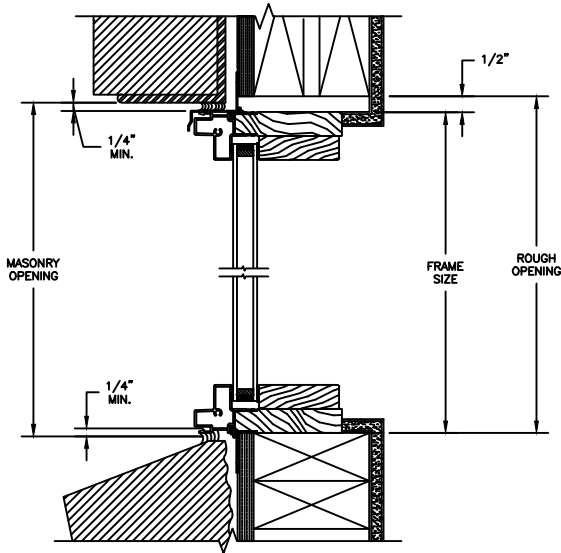
THE ABOVE WALL SECTIONS REPRESENT TYPICAL WALL CONDITIONS, THESE DETAILS ARE NOT INTENDED AS INSTALLATION INSTRUCTIONS. PLEASE REFER TO THE INSTALLATION INSTRUCTIONS PROVIDED WITH THE PURCHASED UNITS.

# Pinnacle Series

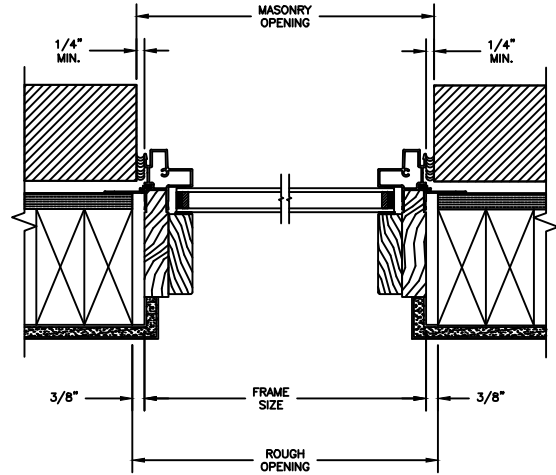
## CLAD DIRECT SET - 3 1/4" FRAME

SECTION DETAILS : CONSTRUCTION

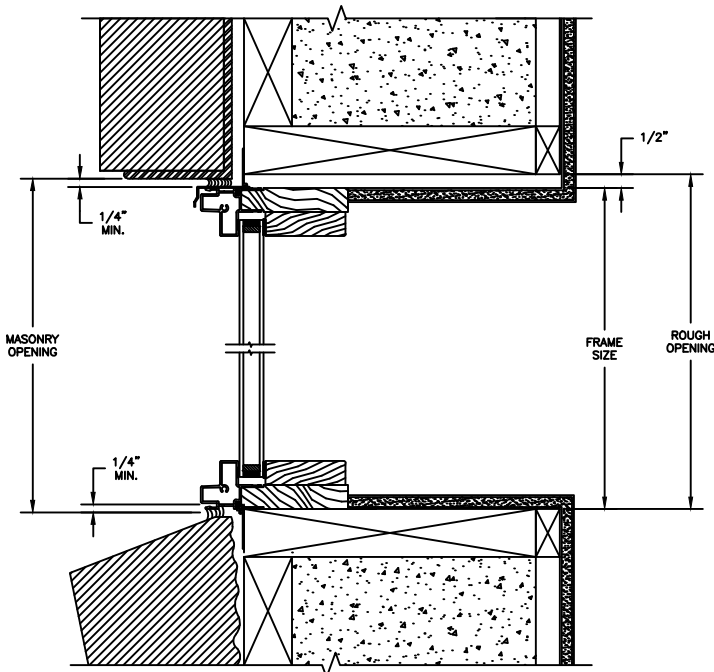
SCALE: 2" = 1'-0"



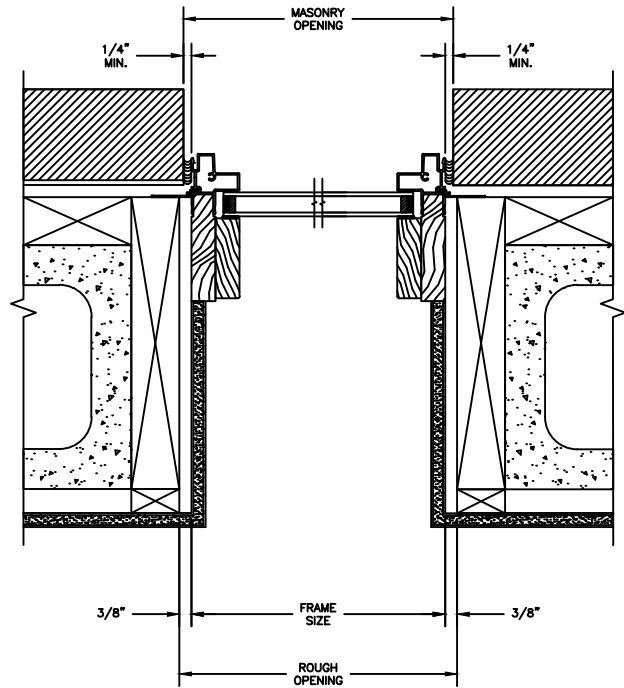
HEAD JAMB & SILL  
2 X 4 FRAME WITH BRICK VENEER



JAMBS  
2 X 4 FRAME WITH BRICK VENEER



HEAD JAMB & SILL  
8" CONCRETE BLOCK WALL  
WITH BRICK VENEER



JAMBS  
8" CONCRETE BLOCK WALL  
WITH BRICK VENEER