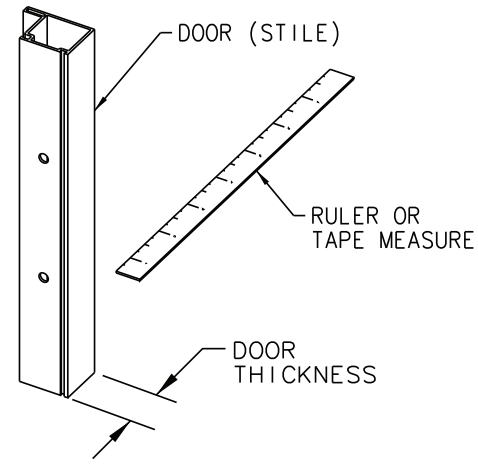


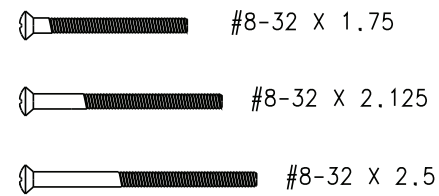
STEP 1

MEASURE DOOR THICKNESS.



STEP 2

DETERMINE THE PROPER LENGTH OF MOUNTING SCREWS.



DOOR THICKNESS RANGE	#8-32 PHILLIPS SCREW LENGTH
1 3/16 TO 1 9/16	1.750
1 9/16 TO 1 15/16	2.125
1 15/16 TO 2 5/16	2.500

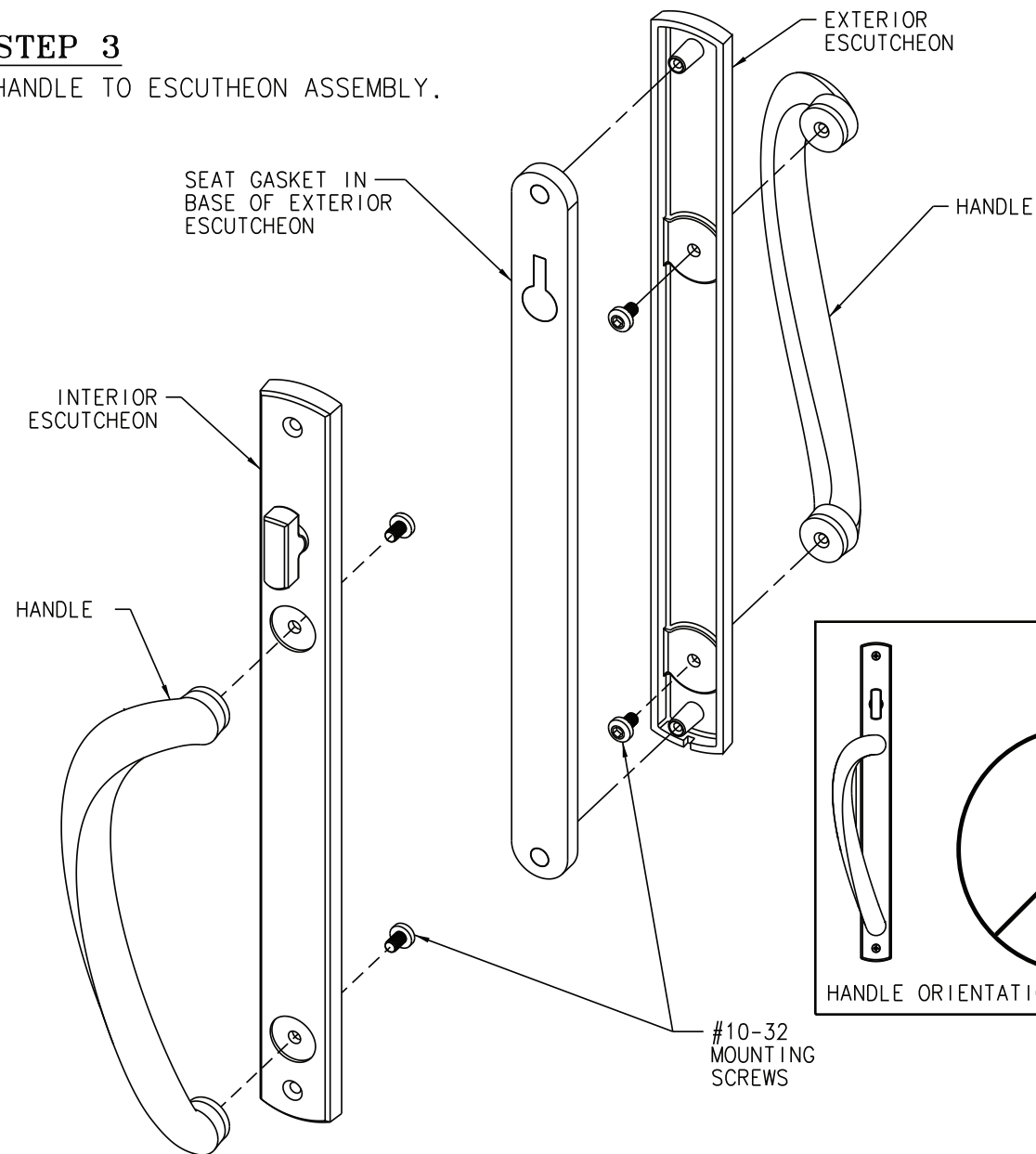


INSTALLATION INSTRUCTIONS

HANDLES, KEEPERS AND OTHER COMPONENTS MAY NOT BE AN EXACT MATCH WITH WHAT YOU ARE INSTALLING BUT THE INSTALLATION PROCEDURE IS BASICALLY THE SAME.

STEP 3

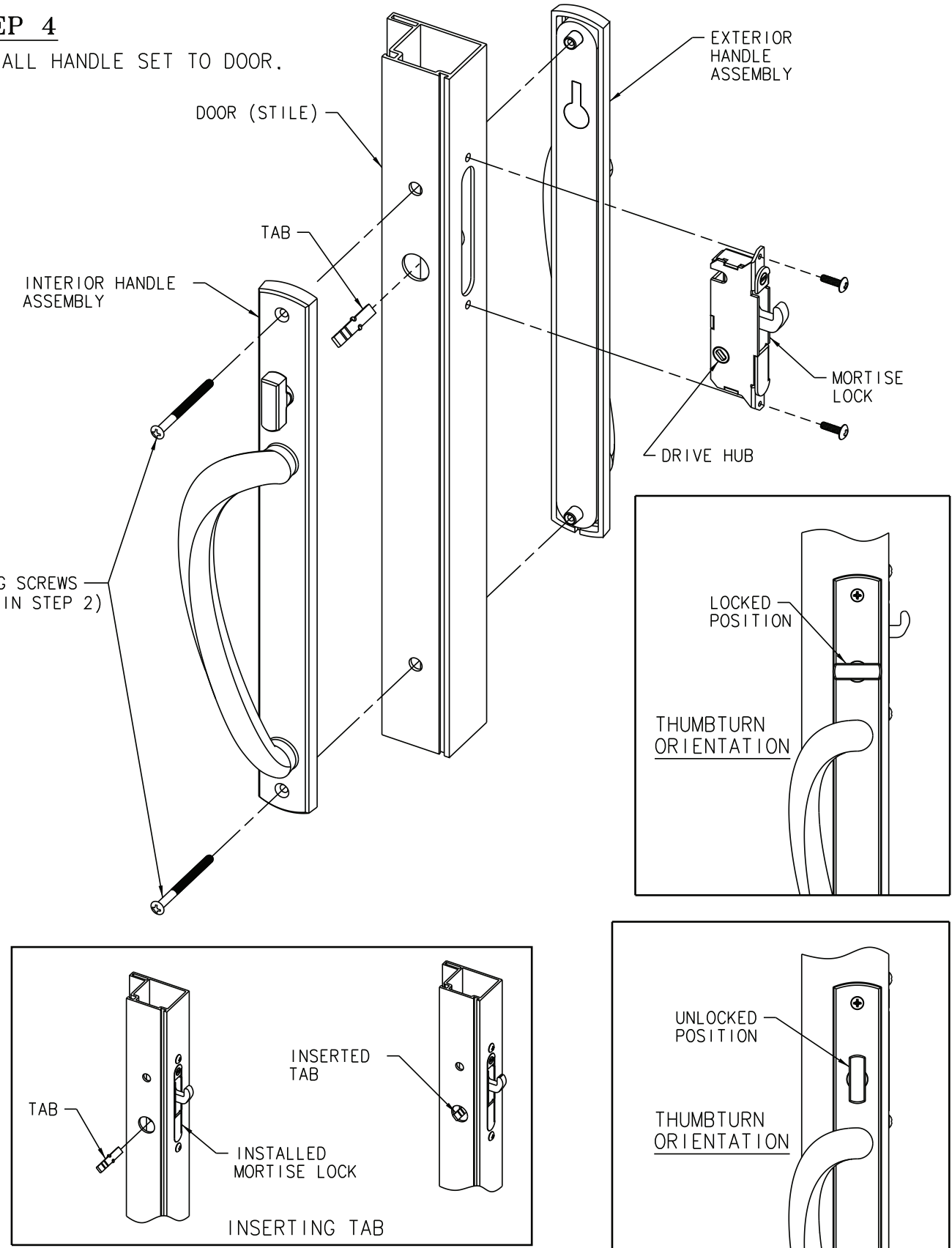
HANDLE TO ESCUTCHEON ASSEMBLY.



#8-32 MOUNTING SCREWS (LENGTH DETERMINED IN STEP 2)

STEP 4

INSTALL HANDLE SET TO DOOR.



1. FASTEN THE HANDLES TO ESCUTCHEONS USING THE SHORT #10-32 MOUNTING SCREWS AS INDICATED.
2. INSTALL MORTISE LOCK.
3. INSERT TAB AS SHOWN INTO DRIVE HUB OF THE MORTISE LOCK.
4. PLACE EXTERIOR AND INTERIOR HANDLE ASSEMBLIES ON THE DOOR WITH THE HANDGRIP TOWARD THE GLASS. BE SURE THAT THE TUNG IS EXTENDING INTO THUMB TURN. THEN INSTALL USING THE DETERMINED TWO #8-32 LONG MOUNTING SCREWS AND TIGHTEN AS REQUIRED.
5. USE PROPER TOOLS AND PROTECTIVE EYEWEAR DURING INSTALLATION.