

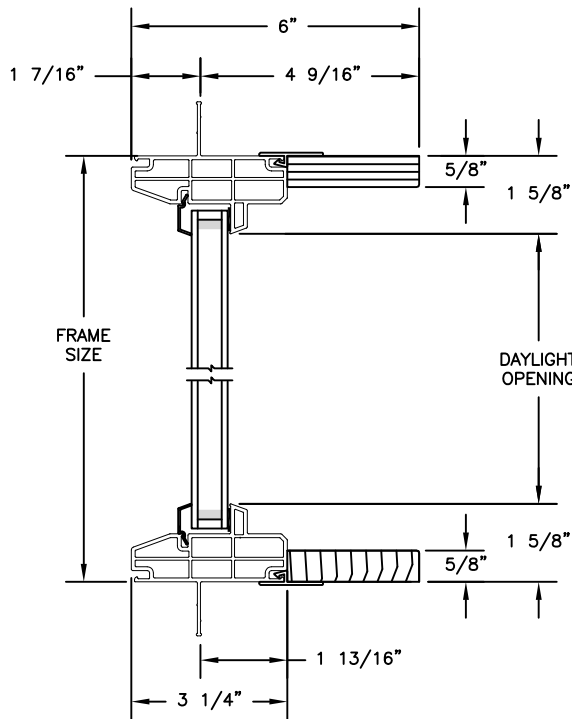
# Next Dimension Signature Series

## RADIUS SERIES 4

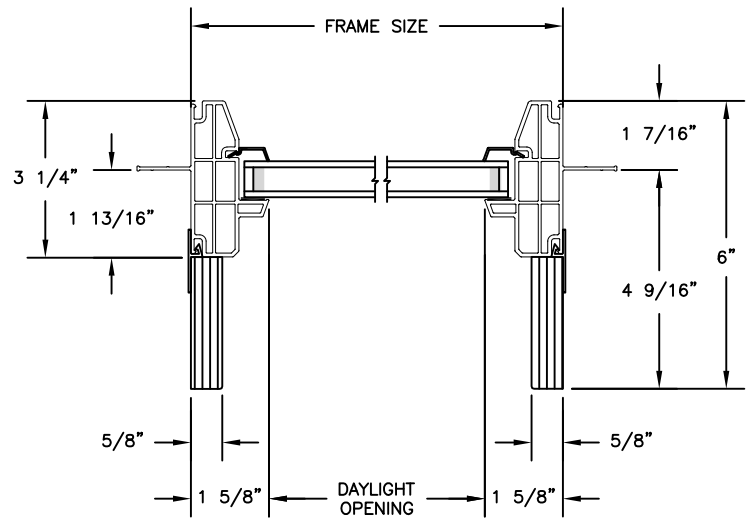
SECTION DETAILS

SCALE: 3" = 1'-0"

STANDARD



HEAD JAMB & SILL

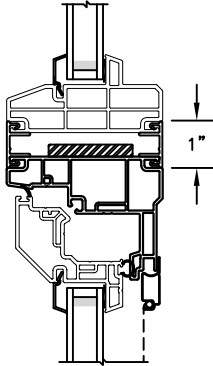


JAMBS

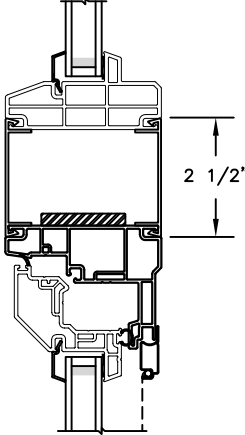
# Next Dimension Signature Series

## RADIUS SERIES 4

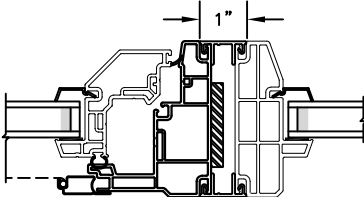
SECTION DETAILS: MULLIONS  
SCALE: 3" = 1'-0"



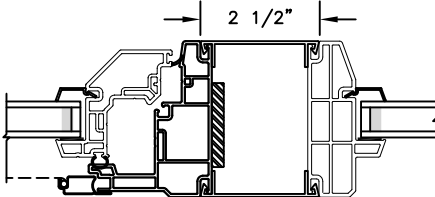
HORIZONTAL MULLION  
RADIUS / CASEMENT



HORIZONTAL 2" MULLION  
RADIUS / CASEMENT



VERTICAL MULLION  
CASEMENT / RADIUS



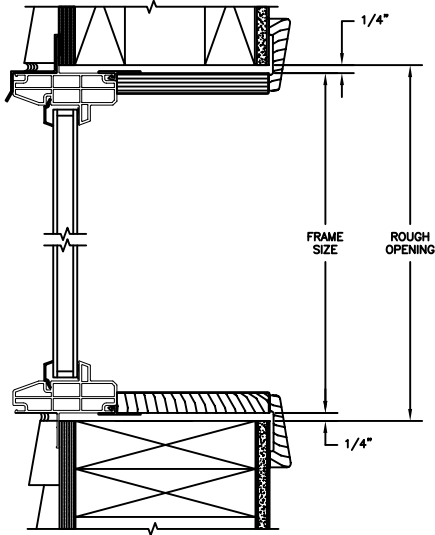
VERTICAL 2" MULLION  
CASEMENT / RADIUS

# Next Dimension Signature Series

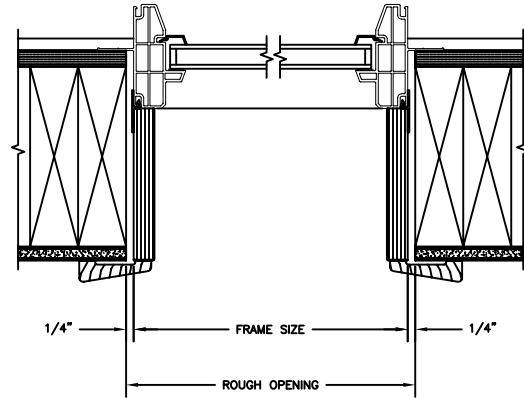
## RADIUS SERIES 4

SECTION DETAILS : CONSTRUCTION

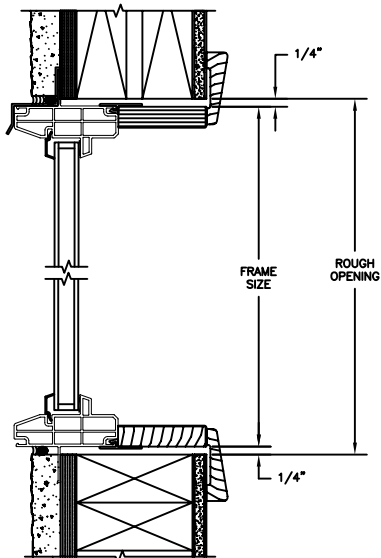
SCALE: 2" = 1'-0"



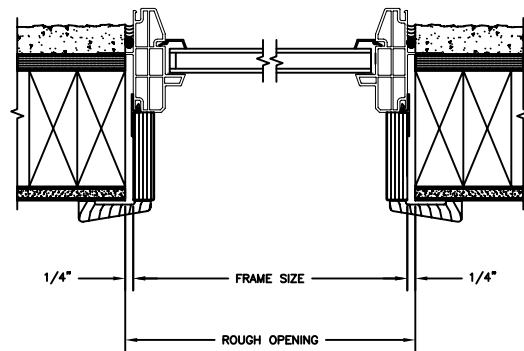
HEAD JAMB & SILL  
2 X 6 FRAME WITH SIDING



JAMBS  
2 X 6 FRAME WITH SIDING



HEAD JAMB & SILL  
2 X 4 FRAME WITH STUCCO



JAMBS  
2 X 4 FRAME WITH STUCCO

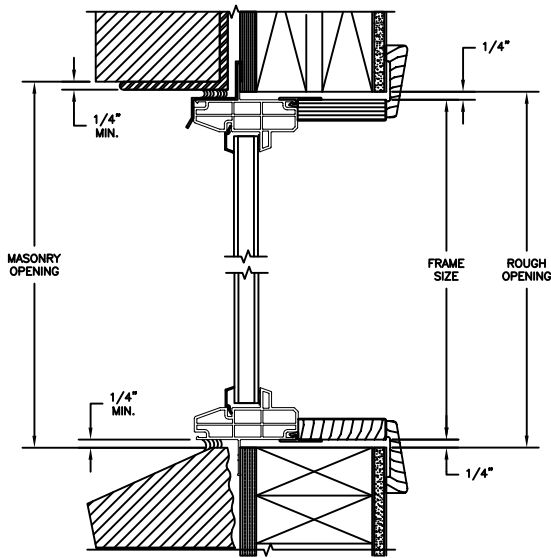
NOTE:  
THE ABOVE WALL SECTIONS REPRESENT TYPICAL WALL CONDITIONS, THESE DETAILS ARE NOT INTENDED AS INSTALLATIONS INSTRUCTIONS. PLEASE REFER TO THE INSTALLATION INSTRUCTIONS PROVIDED WITH THE PURCHASED UNITS.

# Next Dimension Signature Series

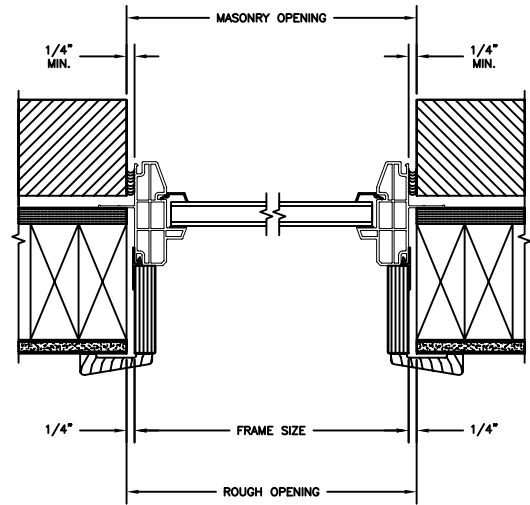
## RADIUS SERIES 4

SECTION DETAILS : CONSTRUCTION

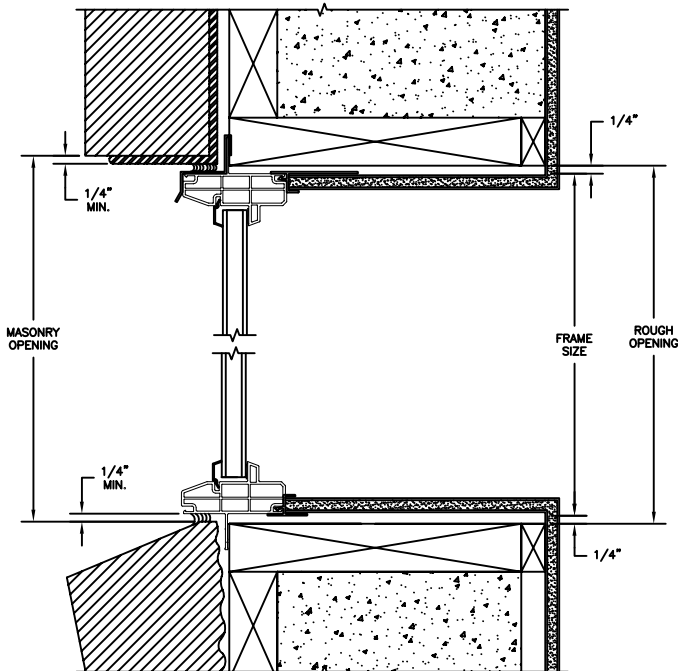
SCALE: 2" = 1'-0"



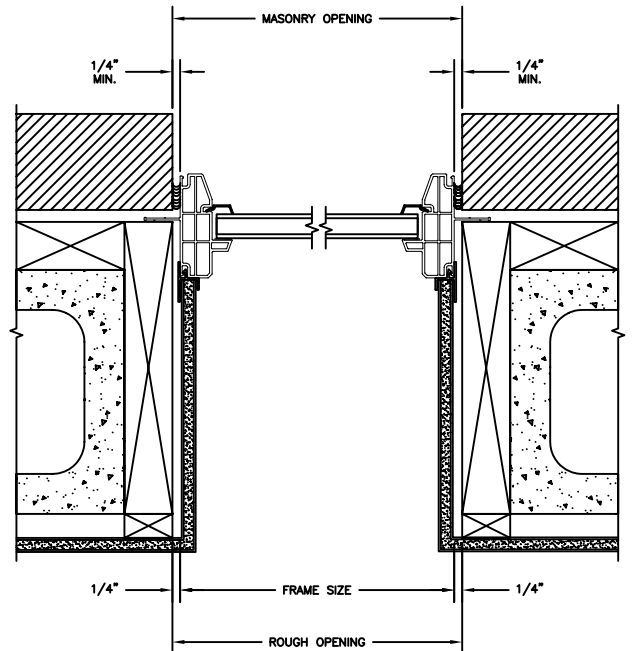
HEAD JAMB & SILL  
2 X 4 FRAME WITH BRICK VENEER



JAMBS  
2 X 4 FRAME WITH BRICK VENEER



HEAD JAMB & SILL  
8" CONCRETE BLOCK WALL  
WITH BRICK VENEER



JAMBS  
8" CONCRETE BLOCK WALL  
WITH BRICK VENEER

NOTE :  
THE ABOVE WALL SECTIONS REPRESENT TYPICAL WALL CONDITIONS, THESE DETAILS ARE NOT INTENDED AS INSTALLATIONS INSTRUCTIONS. PLEASE REFER TO THE INSTALLATION INSTRUCTIONS PROVIDED WITH THE PURCHASED UNITS.