



Windsor Series Swinging Patio Door Replacement Instructions

Purpose: To determine the correct age, size, and configuration of the Windsor Series Panel being replaced.

Included in this document:

- Current Product Questions
- Former Windsor Series Sizing and Date Range
- IG Identification
- Measurement Guidelines

Current Product Questions: In order to verify that the correct product is being built, Windsor will need to determine a few specifics of the current product.

- Ask if the measurements given are "wood-to-wood" measurements, not including metal, hardware, sweeps, etc...
- Ask for the panel size.
- Ask for the IG date code.
- Ask for the desired glass type.
- Ask for the current hardware type.
- Ask if hinges are needed or if the current hinges are in working order.
- Ask if the current product has grilles installed, if so, determine the type.

Former Windsor Series Sizing & Date Range: Even though doors in the field might be a standard size, customers may give a size that is slightly different than what was a standard size at that time. Below is a list of the standard sizes to help identify if the door in question is in fact a standard size.

Clad Inswing & Outswing					
Series	Date Range	Width		Height	
		Glass	Panel	Glass	Panel
3	3/97 - 3/00	<u>2-6:</u> 20"	<u>2-6:</u> 28 1/2"	<u>6-8:</u> 63 7/8"	<u>6-8:</u> 76 7/8"
4	4/00 - 3/01	<u>2-8:</u> 22"	<u>2-8:</u> 30 1/2"	<u>6-10:</u> 66 3/4"	<u>6-10:</u> 79 3/4"
5	4/01 & After	<u>3-0:</u> 26"	<u>3-0:</u> 34 1/2"	<u>8-0:</u> 79 3/4"	<u>8-0:</u> 92 3/4"
Primed Inswing					
Series	Date Range	Width		Height	
		Glass	Panel	Glass	Panel
3	3/97 - 3/00	<u>2-6:</u> 20"	<u>2-6:</u> 28 9/32"	<u>6-8:</u> 63 7/8"	<u>6-8:</u> 76 19/32"
4	4/00 - 3/01	<u>2-8:</u> 22"	<u>2-8:</u> 30 9/32"	<u>6-10:</u> 66 3/4"	<u>6-10:</u> 79 15/32"
5	4/01 & After	<u>3-0:</u> 26"	<u>3-0:</u> 34 9/32"	<u>8-0:</u> 79 3/4"	<u>8-0:</u> 92 15/32"

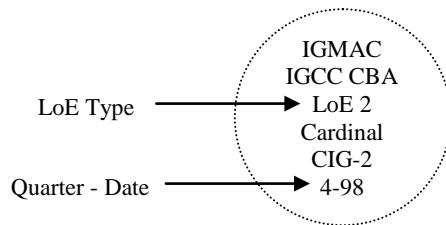
Windsor Series Swinging Patio Door Replacement Instructions

IG Identification: For certain doors, the IG will have a nine digit code identifying the age of the door and the IG type. Use the chart below to determine the necessary information to re-order the panel. If the glass doesn't contain this code, there will be an etching in the corner of the glass identifying the age of the door.

Windsor IG: Located on the spacer between both panes of glass

Character (Nine Digit Code)					
#1 - Year	#2 & 3 - Week of Year	#4 & 5 - Type of IG	#6 - Prod. Shift	#7 - Spacer Type	#8 & 9 - MFG Facility
A = 1990	01 - First	01 = Clear	F = First	B = Bronze	IA = Iowa
B = 1991	↓	02 = LoE 1	S = Second	M = Mill	IO = Idaho
C = 1992		03 = Clear Tempered	T = Third	W = WDL	NC = N. Carolina
D = 1993	↓	04 = Bronze Tint			
E = 1994		05 = Grey Tint			
F = 1995		06 = Obscure			
G = 1996		13 = Tempered Argon			
H = 1997		18 = Clear Argon			
I = 1998		22 = LoE 2			
J = 1999		23 = LoE 2 Tempered			
K = 2000		28 = LoE 2 Argon			
		32 = LoE 1 Tempered			
		36 = Obscure Tempered			
	38 = LoE 1 Tempered				
	42 = Laminated Argon				
	43 = Bronze Tempered				
	52 = Grey Tint LoE 2				
	62 = LoE 2 Obscure				
	63 = LoE 2 Obscure Temp.				
	82 = LoE 2 Argon				
	83 = LoE 2 Argon Temp.				
	84 = Bronze Tint Argon				
	85 = Grey Tint LoE 2 Arg.				
	86 = LoE 2 Obscure				
	87 = Bronze Tint LoE 2				

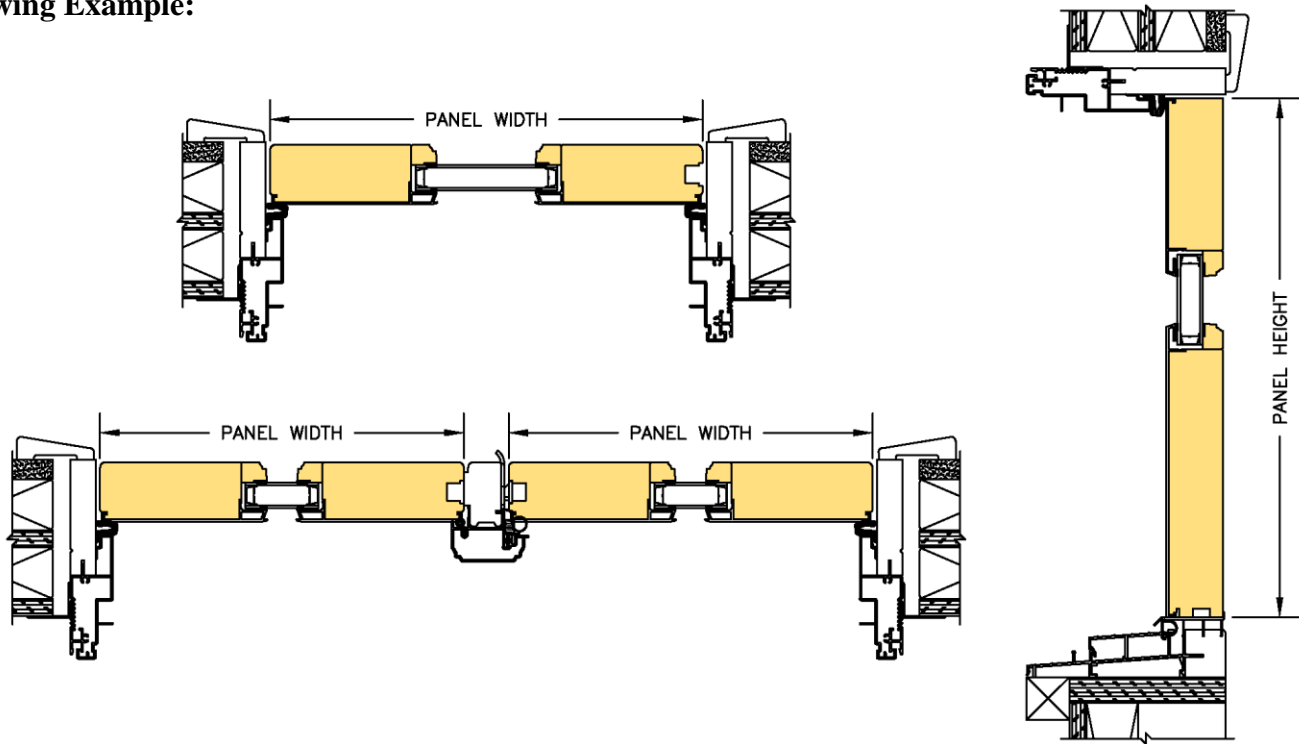
Cardinal IG: Etched in the corner of the Glass



Windsor Series Swinging Patio Door Replacement Instructions

Measurement Guidelines: Measure the panel dimension of the current panel. When measuring, only include the wood to wood measurement. Do not include the weatherstrip and/or sweep in the measurement.

Inswing Example:



Outswing Example:

