

Retractable Screen Replacement Instructions

The following provides instructions for Retractable Screen replacement. To proceed, you will need Phillips head screwdriver.

Part Identifier (Fig. 1)

1. Screen Cassette
2. Inside Cover with Tape
3. Screen Pull

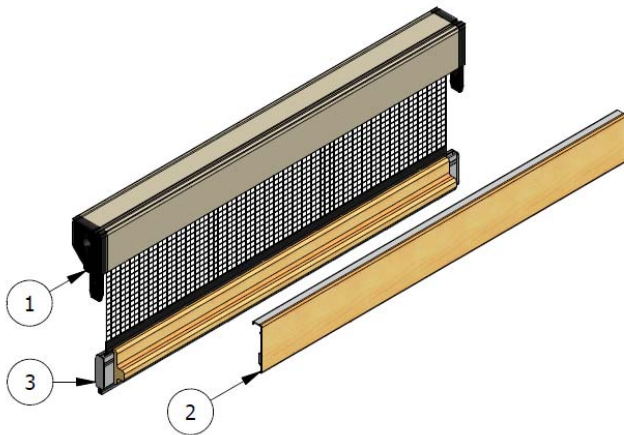


Fig.1

Step 1: Remove Screen Assembly

Retract the screen. Remove the screws along the screen tracks (Fig. 2). Remove the assembly from the opening.



Fig. 2

Step 2: Detach Screen Tracks

Pull straight down on the Tracks to remove them from the Screen Cassette (Fig. 3).

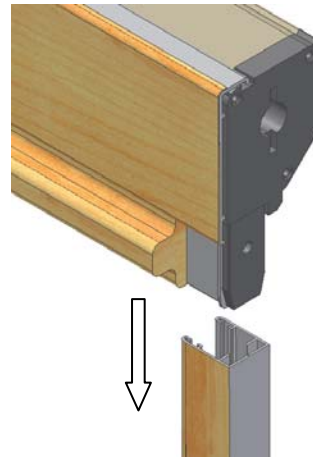


Fig. 2

Step 3: Attach Inside Cover to Screen Cassette

Remove tape backing. Insert Inside Cover tab into groove on the top side of the Screen Cassette (Fig. 3). Make sure Inside Cover is centered on the Screen Cassette. Rotate Inside Cover into position. Press and hold the Cover against the Cassette to allow the tape to adhere.

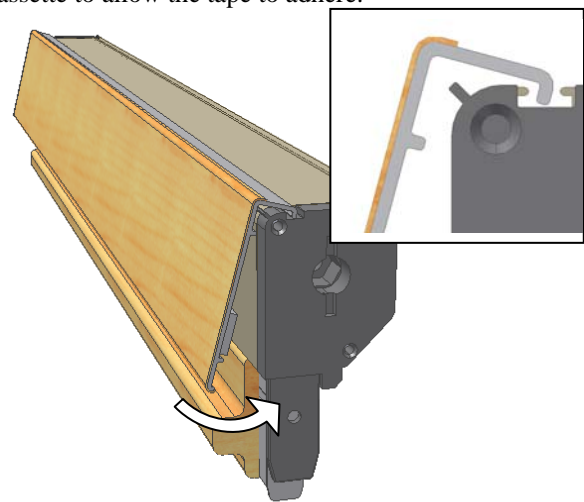


Fig. 3

Step 4: Attach Screen Tracks to Screen Cassette

Slide Track on to Cassette Tabs (Fig. 4). **The black hook at the bottom of the track should be to the interior.**

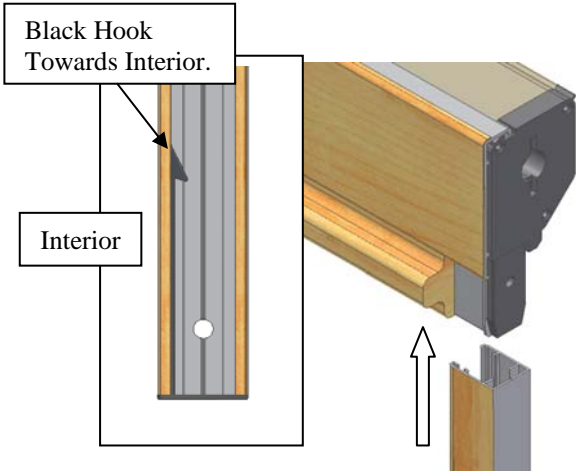


Fig. 4

Step 5: Insert Screen Assembly into Screen Opening

Insert the Screen Assembly into the screen opening (Fig.5). Once Screen Assembly is in position, verify that the Screen Tracks down to be flush at the bottom Sill (Fig.6) and fully seated against the Sash Stop.



Fig. 5

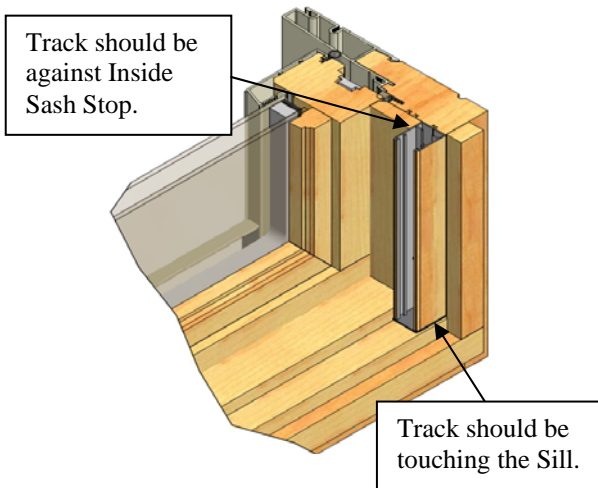


Fig. 6

Step 6: Reattach the Screen

Using the #6 x 1/2" Screws attach the screen tracks to the window frame through the pre-drilled holes (Fig.7).



Fig. 7

Step 7: Verify Operation

Operate the screen by applying a downward force on the Screen Pull. The Screen Pull should catch at the bottom track. To release the screen, simply rotate top of the Screen Pull toward the exterior on the window (Fig.8).

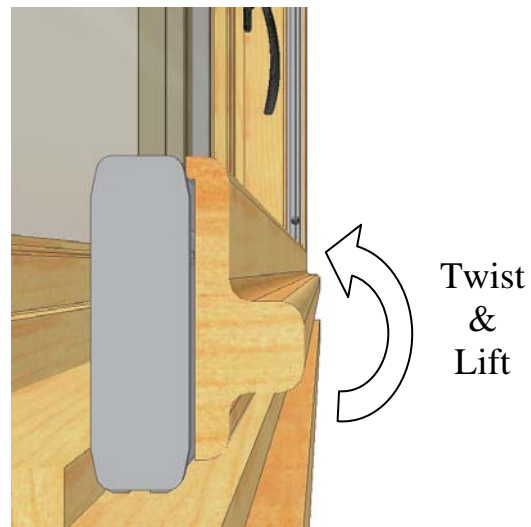


Fig. 8

Note: Be sure to apply even force across the screen pull when raising and lowering the screen.