

Retractable Screen Removal Instructions

The following provides instructions for Retractable Screen removal. To proceed, you will need Phillips head screwdriver.

Step 1: Remove Screen Assembly

Retract the screen. Remove the screws along the screen tracks (Fig. 1). Tilt Screen Assembly out to remove the Assembly from the opening. (Fig. 2)



Fig. 1

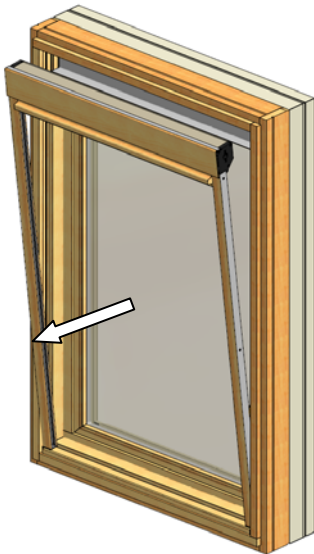


Fig. 2

Step 2: Detach Screen Tracks

Pull straight down on the Tracks to remove them from the Screen Cassette (Fig. 3).

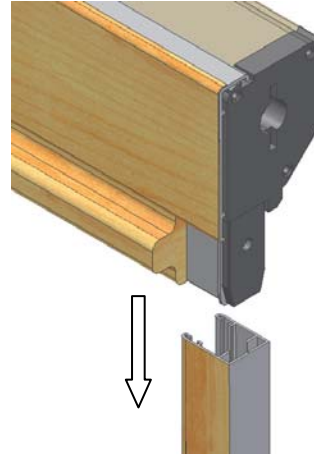


Fig. 3