

# Retractable Screen

## Retrofit Installation Instructions

The following provides instructions for field installation of the Retractable Screen on Pinnacle Operating and Push-Out Casement and Awning Windows that were not factory prepped for the Retractable Screen. To proceed, you will need Phillips head screwdriver, hammer, and putty knife.

### Part Identifier (Fig. 1)

1. Screen Cassette
2. Inside Cover with Tape
3. Screen Pull
4. Screen Track (2)
5. Outside Screen Cover
6. Jamb Sash Stop (2) (Push-Out)
7. Jamb Sash Stop - Hinge Side (Operating)
8. Jamb Sash Stop - Lock Side (Operating)
9. Sill Sash Stop (Push-Out)
10. Track Screws - #6 x 1/2" Panhead
11. Outside Cover Screws - #8 x 3/4" Flathead

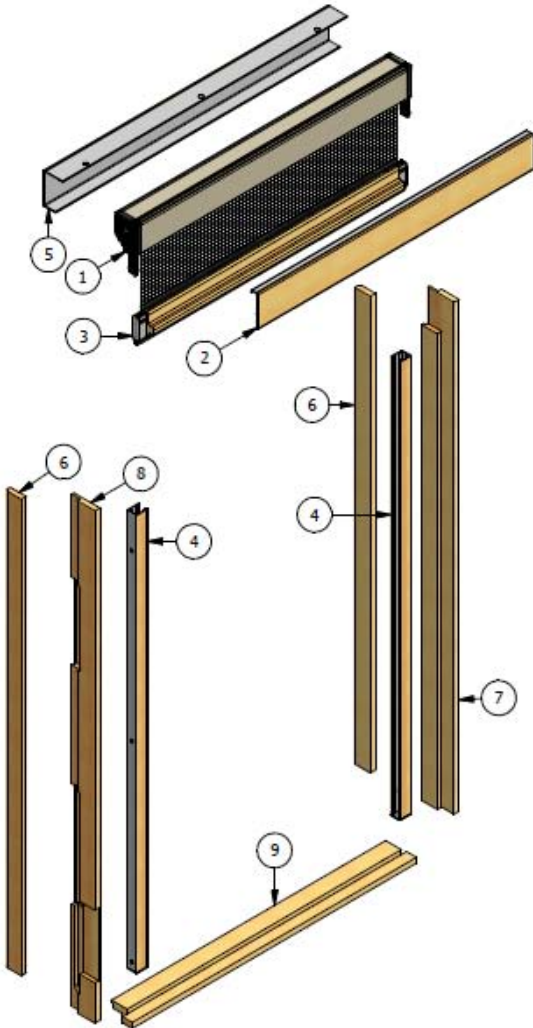


Fig.1

### Step 1: Remove Sill Sash Stop

Open the Sash. Using a putty knife, carefully pry up the Sill Stop from the outside to avoid damage to the interior surface. (Fig. 2) For Operating units, don't discard the Sill Stop.

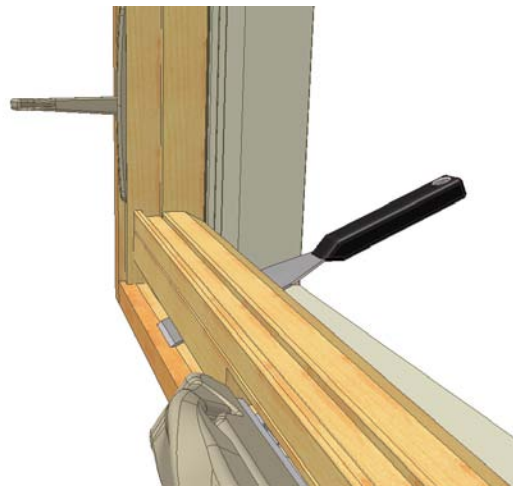


Fig. 2

### Step 2: Remove Head Sash Stop

Using a putty knife, carefully pry out the Head Stop and discard. (Fig.3)



Fig. 3  
6/22/11

### **Step 3: Remove Side Jamb Sash Stops**

Using a putty knife, carefully pry up the Jamb Sash Stops and discard old stops. (Fig.4)

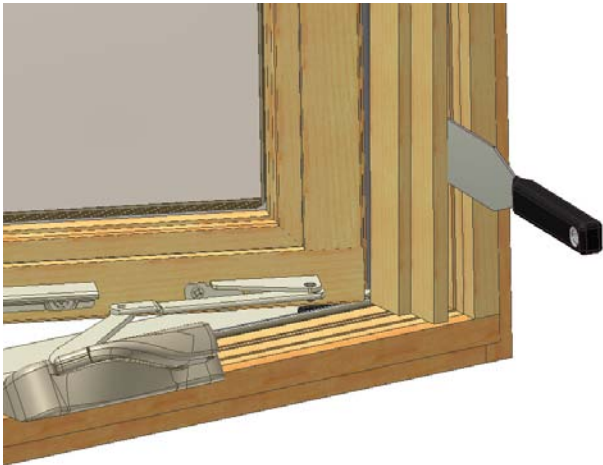


Fig. 4

### **Step 4: Attach New Side Jamb Sash Stop**

Attach the new Side Jamb Stops that came with the Screen Kit. With the window closed and locked, push the new Stop flush against the Sash and the bottom of the frame. Using 18ga x 1" brad nails to secure the Stop into place. (Fig. 5)

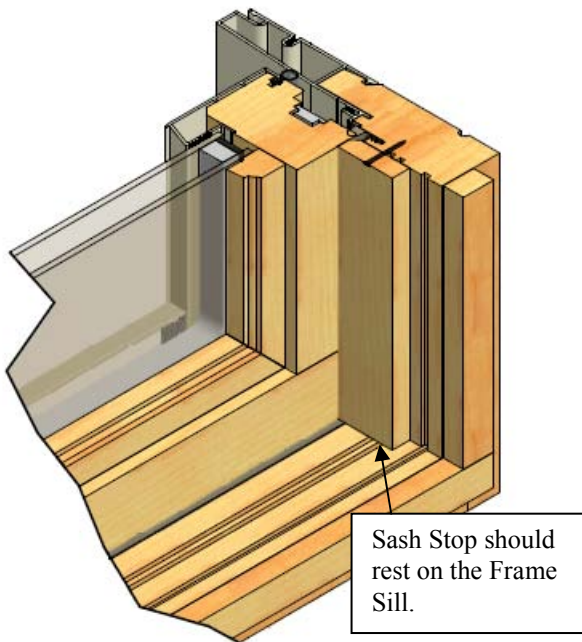


Fig. 5

### **Step 5: Attach Sill Stop**

**Push-Out Casement and Awning:** Attach the new Sill Stop that came with the Screen Kit.

**Operating Casement and Awning:** Reattach the original Sill Stop.

With the window closed push the Stop flush against the Sash. Using 18ga brad nails to secure the Stop into place. (Fig. 6)

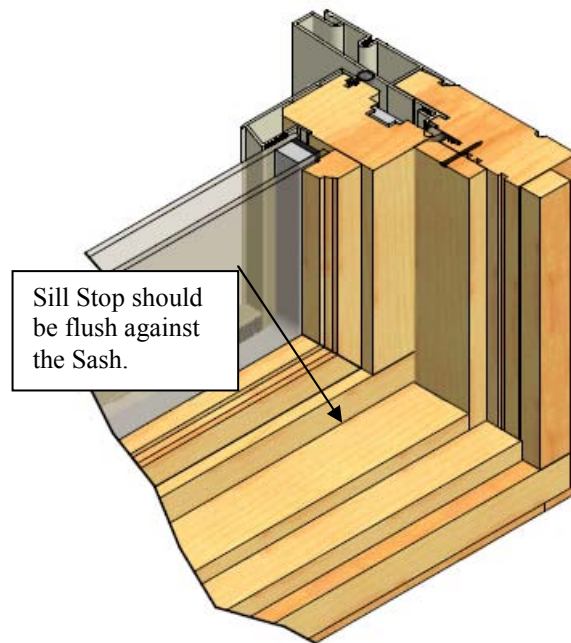


Fig. 6

### **Step 6: Attach Outside Screen Cover**

With the window closed push the Outside Screen Cover flush against the Sash. (Fig. 7 & 8)

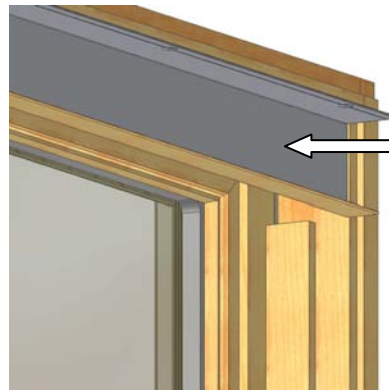


Fig. 7

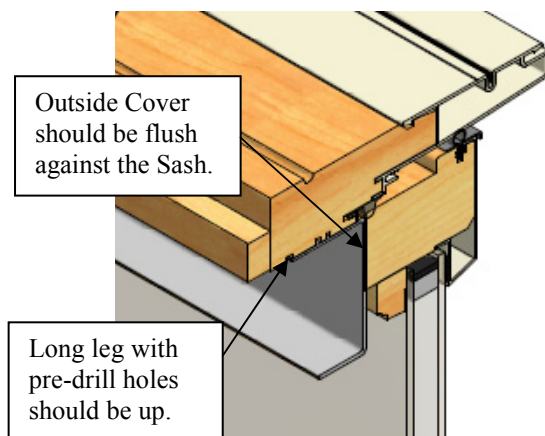


Fig. 8

**Step 6: Attach Outside Screen Cover (Cont.)**

Secure with #8 x 1/2" flathead screws supplied with the kit. (Fig. 9)



Fig. 9

**Step 7: Attach Inside Cover to Screen Cassette**

Remove tape backing. Insert Inside Cover tab into groove on the top side of the Screen Cassette (Fig. 10). Make sure Inside Cover is centered on the Screen Cassette. Rotate Inside Cover into position.

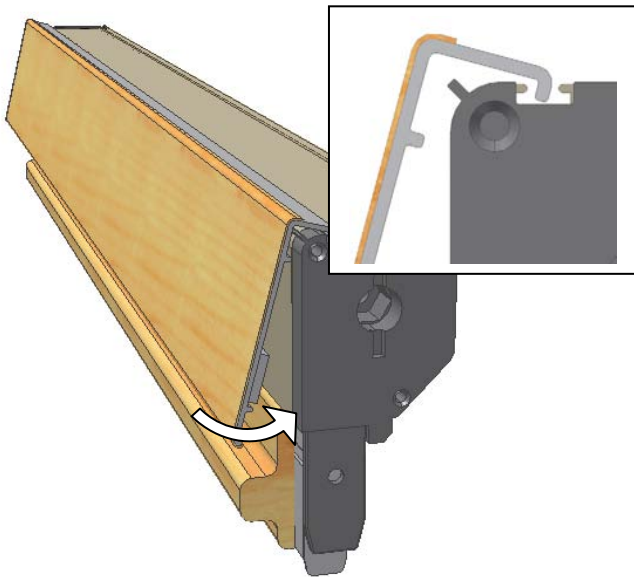


Fig. 10

**Step 8: Attach Screen Tracks to Screen Cassette**

Slide Track on to Cassette Tabs (Fig. 11). The black hook at the bottom of the track should be to the interior.

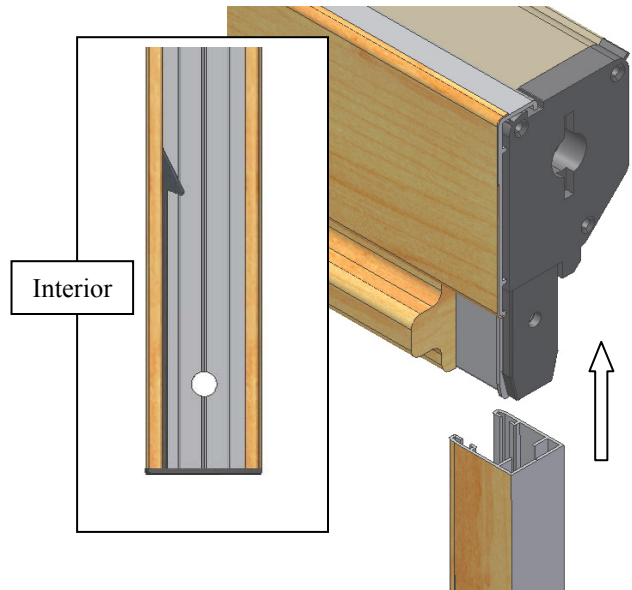


Fig. 11

**Step 9: Insert Screen Assembly into Screen Opening**

Insert the Screen Assembly into the screen opening (Fig. 12). *Helpful Tip: Insert Tracks bottoms first and tilt into position.*

Once Screen Assembly is in position, verify that the Screen Tracks are down and flush at the bottom Sill (Fig. 13) and fully seated against the Sash Stop.

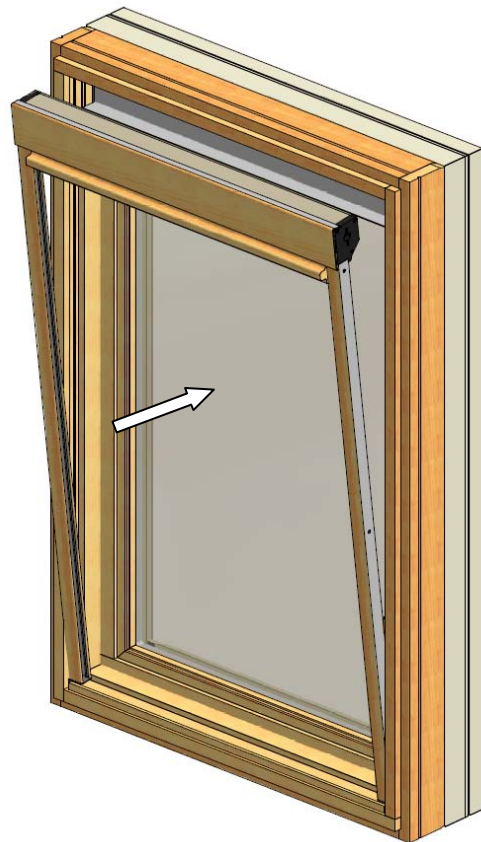


Fig. 12

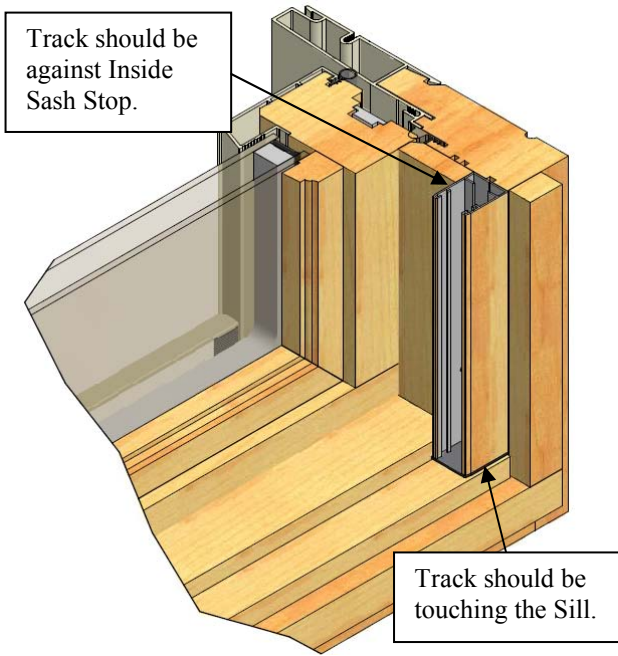


Fig. 13

**Step 10: Attach Screen**

Using the #6 x 1/2" Screws, which were supplied with the kit, attach the screen tracks to the window frame (Fig.14).



Fig. 14

**Step 11: Verify Operation**

Operate the screen by applying a downward force on the Screen Pull. The Screen Pull should catch at the bottom track. To release the screen, simply rotate top of the Screen Pull toward the exterior on the window (Fig.15).

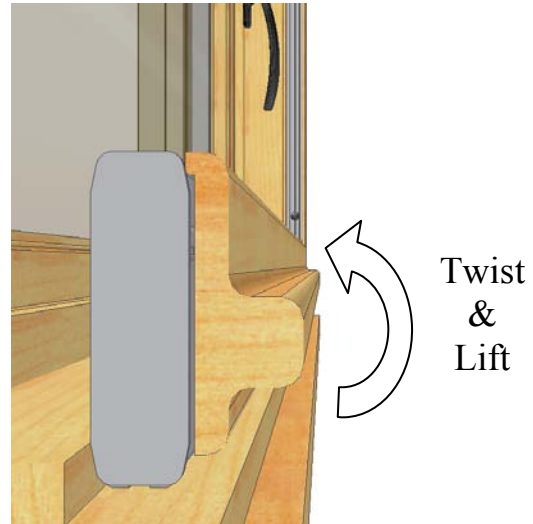


Fig. 15

*Note: Be sure to apply even force across the screen pull when raising and lowering the screen.*