

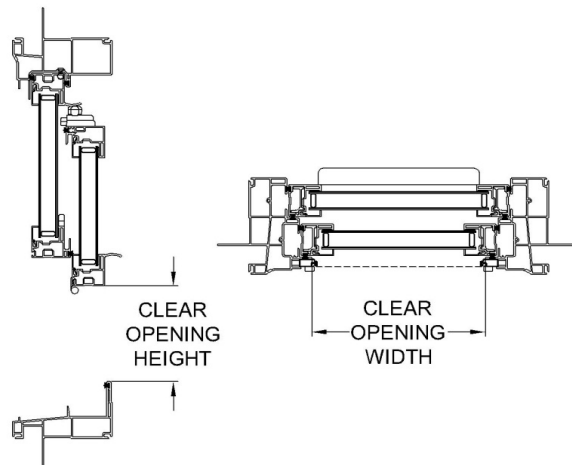
Next Dimension Classic Series

DOUBLE HUNG (Produced After 5/13/13)

EGRESS, LITE & SCREEN MEASUREMENTS

Egress, Lite and Vent Measurements										
Double Hung										
Size	Egress Width	Egress Height	Sq. Ft. Egress	Egress Code Compliance*			Sq. Ft. Daylite	Screen Size		
				U.S.		Canada		Width	Height	
				5.0 ft ²	5.7 ft ²					
1830	12.456	8.691	0.75	-	-	-	1.78	13.250	26.281	
1836	12.456	11.691	1.01	-	-	-	2.25	13.250	32.281	
1842	12.456	14.691	1.27	-	-	-	2.72	13.250	38.281	
1848	12.456	17.691	1.53	-	-	-	3.19	13.250	44.281	
1854	12.456	20.691	1.79	-	-	-	3.66	13.250	50.281	
1860	12.456	23.691	2.05	-	-	-	4.12	13.250	56.281	
1862	12.456	24.691	2.14	-	-	-	4.28	13.250	58.281	
1866	12.456	26.691	2.31	-	-	-	4.59	13.250	62.281	
1867	12.456	27.191	2.35	-	-	-	4.67	13.250	63.281	
1872	12.456	29.691	2.57	-	-	-	5.06	13.250	68.281	
1878	12.456	32.691	2.83	-	-	-	5.53	13.250	74.281	
1884	12.456	35.691	3.09	-	-	-	5.99	13.250	80.281	
2430	18.456	8.691	1.11	-	-	-	2.74	19.250	26.281	
2436	18.456	11.691	1.50	-	-	-	3.45	19.250	32.281	
2442	18.456	14.691	1.88	-	-	-	4.17	19.250	38.281	
2448	18.456	17.691	2.27	-	-	-	4.89	19.250	44.281	
2454	18.456	20.691	2.65	-	-	-	5.61	19.250	50.281	
2460	18.456	23.691	3.04	-	-	-	6.33	19.250	56.281	
2462	18.456	24.691	3.16	-	-	-	6.56	19.250	58.281	
2466	18.456	26.691	3.42	-	-	-	7.04	19.250	62.281	
2467	18.456	27.191	3.48	-	-	-	7.16	19.250	63.281	
2472	18.456	29.691	3.81	-	-	Y	7.76	19.250	68.281	
2478	18.456	32.691	4.19	-	-	Y	8.48	19.250	74.281	
2484	18.456	35.691	4.57	-	-	Y	9.20	19.250	80.281	
3030	24.456	8.691	1.48	-	-	-	3.69	25.250	26.281	
3036	24.456	11.691	1.99	-	-	-	4.66	25.250	32.281	
3042	24.456	14.691	2.50	-	-	-	5.62	25.250	38.281	
3048	24.456	17.691	3.00	-	-	-	6.59	25.250	44.281	
3054	24.456	20.691	3.51	-	-	-	7.56	25.250	50.281	
3060	24.456	23.691	4.02	-	-	Y	8.53	25.250	56.281	
3062	24.456	24.691	4.19	-	-	Y	8.85	25.250	58.281	
3066	24.456	26.691	4.53	-	-	Y	9.50	25.250	62.281	
3067	24.456	27.191	4.62	-	-	Y	9.66	25.250	63.281	
3072	24.456	29.691	5.04	Y	-	Y	10.46	25.250	68.281	
3078	24.456	32.691	5.55	Y	-	Y	11.43	25.250	74.281	
3084	24.456	35.691	6.06	Y	Y	Y	12.40	25.250	80.281	
3230	26.456	8.691	1.60	-	-	-	4.01	27.250	26.281	
3236	26.456	11.691	2.15	-	-	-	5.06	27.250	32.281	
3242	26.456	14.691	2.70	-	-	-	6.11	27.250	38.281	
3248	26.456	17.691	3.25	-	-	-	7.16	27.250	44.281	
3254	26.456	20.691	3.80	-	-	Y	8.21	27.250	50.281	
3260	26.456	23.691	4.35	-	-	Y	9.26	27.250	56.281	
3262	26.456	24.691	4.54	-	-	Y	9.61	27.250	58.281	
3266	26.456	26.691	4.90	-	-	Y	10.31	27.250	62.281	
3267	26.456	27.191	5.00	-	-	Y	10.49	27.250	63.281	
3272	26.456	29.691	5.45	Y	-	Y	11.36	27.250	68.281	
3278	26.456	32.691	6.01	Y	Y	Y	12.42	27.250	74.281	
3284	26.456	35.691	6.56	Y	Y	Y	13.47	27.250	80.281	
3630	30.456	8.691	1.84	-	-	-	4.64	31.250	26.281	
3636	30.456	11.691	2.47	-	-	-	5.86	31.250	32.281	
3642	30.456	14.691	3.11	-	-	-	7.08	31.250	38.281	
3648	30.456	17.691	3.74	-	-	-	8.29	31.250	44.281	
3654	30.456	20.691	4.38	-	-	Y	9.51	31.250	50.281	
3660	30.456	23.691	5.01	-	-	Y	10.73	31.250	56.281	
3662	30.456	24.691	5.22	Y	-	Y	11.14	31.250	58.281	
3666	30.456	26.691	5.65	Y	-	Y	11.95	31.250	62.281	
3667	30.456	27.191	5.75	Y	Y	Y	12.15	31.250	63.281	
3672	30.456	29.691	6.28	Y	Y	Y	13.17	31.250	68.281	
3678	30.456	32.691	6.91	Y	Y	Y	14.38	31.250	74.281	
3684	30.456	35.691	7.55	Y	Y	Y	15.60	31.250	80.281	

Egress, Lite and Vent Measurements										
Double Hung										
Size	Egress Width	Egress Height	Sq. Ft. Egress	Egress Code Compliance*			Sq. Ft. Daylite	Screen Size		
				U.S.		Canada		Width	Height	
				5.0 ft ²	5.7 ft ²					
4030	34.456	8.691	2.08	-	-	-	5.28	35.250	26.281	
4036	34.456	11.691	2.80	-	-	-	6.66	35.250	32.281	
4042	34.456	14.691	3.52	-	-	-	8.04	35.250	38.281	
4048	34.456	17.691	4.23	-	-	Y	9.43	35.250	44.281	
4054	34.456	20.691	4.95	-	-	Y	10.81	35.250	50.281	
4060	34.456	23.691	5.67	-	-	Y	12.20	35.250	56.281	
4062	34.456	24.691	5.91	Y	Y	Y	12.66	35.250	58.281	
4066	34.456	26.691	6.39	Y	Y	Y	13.58	35.250	62.281	
4067	34.456	27.191	6.51	Y	Y	Y	13.81	35.250	63.281	
4072	34.456	29.691	7.10	Y	Y	Y	14.97	35.250	68.281	
4078	34.456	32.691	7.82	Y	Y	Y	16.35	35.250	74.281	
4084	34.456	35.691	8.54	-	Y	Y	17.74	35.250	80.281	
4230	36.456	8.691	2.20	-	-	-	5.59	37.250	26.281	
4236	36.456	11.691	2.96	-	-	-	7.06	37.250	32.281	
4242	36.456	14.691	3.72	-	-	-	8.53	37.250	38.281	
4248	36.456	17.691	4.48	-	-	Y	10.00	37.250	44.281	
4254	36.456	20.691	5.24	-	-	Y	11.46	37.250	50.281	
4260	36.456	23.691	6.00	-	-	Y	12.93	37.250	56.281	
4262	36.456	24.691	6.25	Y	Y	Y	13.42	37.250	58.281	
4266	36.456	26.691	6.76	Y	Y	Y	14.40	37.250	62.281	
4267	36.456	27.191	6.88	Y	Y	Y	14.64	37.250	63.281	
4272	36.456	29.691	7.52	Y	Y	Y	15.87	37.250	68.281	
4278	36.456	32.691	8.28	Y	Y	Y	17.34	37.250	74.281	
4284	36.456	35.691	9.04	-	Y	Y	18.80	37.250	80.281	
4830	42.456	8.691	2.56	-	-	-	6.55	43.250	26.281	
4836	42.456	11.691	3.45	-	-	-	8.26	43.250	32.281	
4842	42.456	14.691	4.33	-	-	-	9.98	43.250	38.281	
4848	42.456	17.691	5.22	-	-	Y	11.70	43.250	44.281	
4854	42.456	20.691	6.10	-	-	Y	13.42	43.250	50.281	
4860	42.456	23.691	6.98	-	-	Y	15.13	43.250	56.281	
4862	42.456	24.691	7.28	Y	Y	Y	15.71	43.250	58.281	
4866	42.456	26.691	7.87	Y	Y	Y	16.85	43.250	62.281	
4867	42.456	27.191	8.02	Y	Y	Y	17.14	43.250	63.281	
4872	42.456	29.691	8.75	Y	Y	Y	18.57	43.250	68.281	
4878	42.456	32.691	9.64	Y	Y	Y	20.29	43.250	74.281	
4884	42.456	35.691	10.52	-	Y	Y	22.00	43.250	80.281	



Code Requirements	Min Width	Min Height	Min Area (sq.ft.)
U.S.	20"	24"	5.7
U.S. Grade Floor	20"	24"	5.0
Canada	15"	15"	3.77

* Egress Code Compliance Terminology

- Y Meets Code
- Does Not Meet Code

Egress Conversions	
Width	R.O. - 5.544"
Height	R.O. / 2 - 6.309

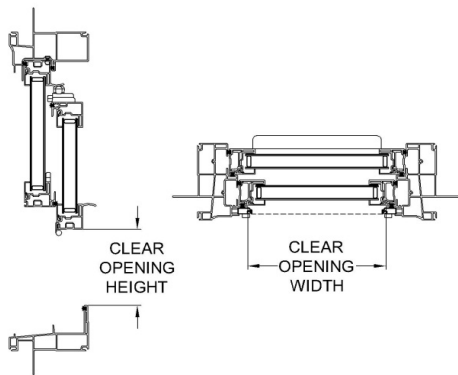
Next Dimension Classic Series

DOUBLE HUNG (Produced After 5/13/13)

EGRESS, LITE & SCREEN MEASUREMENTS

Egress, Lite and Vent Measurements									
Double Hung Cottage									
Size	Egress Width	Egress Height	Sq. Ft. Egress	Egress Code Compliance*			Sq. Ft. Daylite	Screen Size	
				U.S.		Canada		Width	Height
				5.0 ft ²	5.7 ft ²				
Cottage									
2460	18.456	17.691	2.27	-	-	-	6.28	19.250	56.281
2462	18.456	18.691	2.40	-	-	-	6.52	19.250	58.281
2466	18.456	20.691	2.65	-	-	-	7.00	19.250	62.281
2467	18.456	21.191	2.72	-	-	-	7.12	19.250	63.281
2472	18.456	23.691	3.04	-	-	-	7.71	19.250	68.281
3060	24.456	17.691	3.00	-	-	-	8.48	25.250	56.281
3062	24.456	18.691	3.17	-	-	-	8.80	25.250	58.281
3066	24.456	20.691	3.51	-	-	-	9.45	25.250	62.281
3067	24.456	21.191	3.60	-	-	-	9.61	25.250	63.281
3072	24.456	23.691	4.02	-	-	Y	10.42	25.250	68.281
3260	26.456	17.691	3.25	-	-	-	9.21	27.250	56.281
3262	26.456	18.691	3.43	-	-	-	9.56	27.250	58.281
3266	26.456	20.691	3.80	-	-	Y	10.27	27.250	62.281
3267	26.456	21.191	3.89	-	-	Y	10.44	27.250	63.281
3272	26.456	23.691	4.35	-	-	Y	11.32	27.250	68.281
3660	30.456	17.691	3.74	-	-	-	10.68	31.250	56.281
3662	30.456	18.691	3.95	-	-	Y	11.09	31.250	58.281
3666	30.456	20.691	4.38	-	-	Y	11.90	31.250	62.281
3667	30.456	21.191	4.48	-	-	Y	12.10	31.250	63.281
3672	30.456	23.691	5.01	-	-	Y	13.12	31.250	68.281
4060	34.456	17.691	4.23	-	-	Y	12.15	35.250	56.281
4062	34.456	18.691	4.47	-	-	Y	12.61	35.250	58.281
4066	34.456	20.691	4.95	-	-	Y	13.54	35.250	62.281
4067	34.456	21.191	5.07	-	-	Y	13.77	35.250	63.281
4072	34.456	23.691	5.67	-	-	Y	14.92	35.250	68.281
4260	36.456	17.691	4.48	-	-	Y	12.88	37.250	56.281
4262	36.456	18.691	4.73	-	-	Y	13.37	37.250	58.281
4266	36.456	20.691	5.24	-	-	Y	14.35	37.250	62.281
4267	36.456	21.191	5.36	-	-	Y	14.60	37.250	63.281
4272	36.456	23.691	6.00	-	-	Y	15.82	37.250	68.281
4860	42.456	17.691	5.22	-	-	Y	15.09	43.250	56.281
4862	42.456	18.691	5.51	-	-	Y	15.66	43.250	58.281
4866	42.456	20.691	6.10	-	-	Y	16.80	43.250	62.281
4867	42.456	21.191	6.25	-	-	Y	17.09	43.250	63.281
4872	42.456	23.691	6.98	-	-	Y	18.52	43.250	68.281

Egress, Lite and Vent Measurements									
Double Hung Oriel									
Size	Egress Width	Egress Height	Sq. Ft. Egress	Egress Code Compliance*			Sq. Ft. Daylite	Screen Size	
				U.S.		Canada		Width	Height
				5.0 ft ²	5.7 ft ²				
Oriel									
2460	18.456	18.191	2.33	-	-	-	6.28	19.250	56.281
2462	18.456	19.191	2.46	-	-	-	6.52	19.250	58.281
2466	18.456	21.191	2.72	-	-	-	7.00	19.250	62.281
2467	18.456	21.691	2.78	-	-	-	7.12	19.250	63.281
2472	18.456	24.191	3.10	-	-	-	7.71	19.250	68.281
3060	24.456	18.191	3.09	-	-	-	8.48	25.250	56.281
3062	24.456	19.191	3.26	-	-	-	8.80	25.250	58.281
3066	24.456	21.191	3.60	-	-	-	9.45	25.250	62.281
3067	24.456	21.691	3.68	-	-	-	9.61	25.250	63.281
3072	24.456	24.191	4.11	-	-	Y	10.42	25.250	68.281
3260	26.456	18.191	3.34	-	-	-	9.21	27.250	56.281
3262	26.456	19.191	3.53	-	-	-	9.56	27.250	58.281
3266	26.456	21.191	3.89	-	-	Y	10.27	27.250	62.281
3267	26.456	21.691	3.99	-	-	Y	10.44	27.250	63.281
3272	26.456	24.191	4.44	-	-	Y	11.32	27.250	68.281
3660	30.456	18.191	3.85	-	-	Y	10.68	31.250	56.281
3662	30.456	19.191	4.06	-	-	Y	11.09	31.250	58.281
3666	30.456	21.191	4.48	-	-	Y	11.90	31.250	62.281
3667	30.456	21.691	4.59	-	-	Y	12.10	31.250	63.281
3672	30.456	24.191	5.12	Y	-	Y	13.12	31.250	68.281
4060	34.456	18.191	4.35	-	-	Y	12.15	35.250	56.281
4062	34.456	19.191	4.59	-	-	Y	12.61	35.250	58.281
4066	34.456	21.191	5.07	-	-	Y	13.54	35.250	62.281
4067	34.456	21.691	5.19	-	-	Y	13.77	35.250	63.281
4072	34.456	24.191	5.79	Y	Y	Y	14.92	35.250	68.281
4260	36.456	18.191	4.61	-	-	Y	12.88	37.250	56.281
4262	36.456	19.191	4.86	-	-	Y	13.37	37.250	58.281
4266	36.456	21.191	5.36	-	-	Y	14.35	37.250	62.281
4267	36.456	21.691	5.49	-	-	Y	14.60	37.250	63.281
4272	36.456	24.191	6.12	Y	Y	Y	15.82	37.250	68.281
4860	42.456	18.191	5.36	-	-	Y	15.09	43.250	56.281
4862	42.456	19.191	5.66	-	-	Y	15.66	43.250	58.281
4866	42.456	21.191	6.25	-	-	Y	16.80	43.250	62.281
4867	42.456	21.691	6.40	-	-	Y	17.09	43.250	63.281
4872	42.456	24.191	7.13	Y	Y	Y	18.52	43.250	68.281



Egress Conversions - Cottage	
Width	R.O. - 5.544"
Height	R.O. / 2 - 12.309

Egress Conversions - Oriel	
Width	R.O. - 5.544"
Height	R.O. / 2 - 11.809

*** Egress Code Compliance Terminology**

- Y Meets Code
- Does Not Meet Code

Code Requirements	Min Width	Min Height	Min Area (sq.ft.)
U.S.	20"	24"	5.7
U.S. Grade Floor	20"	24"	5.0
Canada	15"	15"	3.77

Next Dimension Classic Series

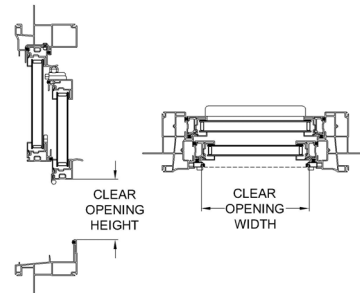
DOUBLE HUNG (Produced before 5/13/13)

EGRESS, LITE & SCREEN MEASUREMENTS

Egress, Lite and Vent Measurements									
Double Hung									
Size	Egress Width	Egress Height	Sq. Ft. Egress	Egress Code Compliance*			Sq. Ft. Daylite	Screen Size	
				U.S.		Canada		Width	Height
				5.0 ft ²	5.7 ft ²				
1830	12.456	9.809	0.85	-	-	-	2.09	13.250	26.281
1836	12.456	12.809	1.11	-	-	-	2.60	13.250	32.281
1842	12.456	15.809	1.37	-	-	-	3.10	13.250	38.281
1848	12.456	18.809	1.63	-	-	-	3.61	13.250	44.281
1854	12.456	21.809	1.89	-	-	-	4.12	13.250	50.281
1860	12.456	24.809	2.15	-	-	-	4.63	13.250	56.281
1862	12.456	25.809	2.23	-	-	-	4.80	13.250	58.281
1866	12.456	27.809	2.41	-	-	-	5.13	13.250	62.281
1872	12.456	30.809	2.66	-	-	-	5.64	13.250	68.281
1878	12.456	33.809	2.92	-	-	-	6.15	13.250	74.281
1884	12.456	36.809	3.18	-	-	-	6.66	13.250	80.281
2430	18.456	9.809	1.26	-	-	-	3.12	19.250	26.281
2436	18.456	12.809	1.64	-	-	-	3.88	19.250	32.281
2442	18.456	15.809	2.03	-	-	-	4.64	19.250	38.281
2448	18.456	18.809	2.41	-	-	-	5.39	19.250	44.281
2454	18.456	21.809	2.80	-	-	-	6.15	19.250	50.281
2460	18.456	24.809	3.18	-	-	-	6.91	19.250	56.281
2462	18.456	25.809	3.31	-	-	-	7.16	19.250	58.281
2466	18.456	27.809	3.56	-	-	-	7.67	19.250	62.281
2472	18.456	30.809	3.95	-	-	-	8.42	19.250	68.281
2478	18.456	33.809	4.33	-	-	-	9.18	19.250	74.281
2484	18.456	36.809	4.72	-	-	-	9.94	19.250	80.281
3030	24.456	9.809	1.67	-	-	-	4.15	25.250	26.281
3036	24.456	12.809	2.18	-	-	-	5.16	25.250	32.281
3042	24.456	15.809	2.68	-	-	-	6.17	25.250	38.281
3048	24.456	18.809	3.19	-	-	-	7.18	25.250	44.281
3054	24.456	21.809	3.70	-	-	-	8.18	25.250	50.281
3060	24.456	24.809	4.21	-	-	Y	9.19	25.250	56.281
3062	24.456	25.809	4.38	-	-	Y	9.53	25.250	58.281
3066	24.456	27.809	4.72	-	-	Y	10.20	25.250	62.281
3072	24.456	30.809	5.23	Y	-	Y	11.20	25.250	68.281
3078	24.456	33.809	5.74	Y	-	Y	12.21	25.250	74.281
3084	24.456	36.809	6.25	Y	Y	Y	13.22	25.250	80.281
3230	26.456	9.809	1.80	-	-	-	4.50	27.250	26.281
3236	26.456	12.809	2.35	-	-	-	5.59	27.250	32.281
3242	26.456	15.809	2.90	-	-	-	6.68	27.250	38.281
3248	26.456	18.809	3.46	-	-	-	7.77	27.250	44.281
3254	26.456	21.809	4.01	-	-	Y	8.86	27.250	50.281
3260	26.456	24.809	4.56	-	-	Y	9.95	27.250	56.281
3262	26.456	25.809	4.74	-	-	Y	10.31	27.250	58.281
3266	26.456	27.809	5.11	Y	-	Y	11.04	27.250	62.281
3272	26.456	30.809	5.66	Y	-	Y	12.13	27.250	68.281
3278	26.456	33.809	6.21	Y	Y	Y	13.22	27.250	74.281
3284	26.456	36.809	6.76	Y	Y	Y	14.31	27.250	80.281
3630	30.456	9.809	2.07	-	-	-	5.18	31.250	26.281
3636	30.456	12.809	2.71	-	-	-	6.44	31.250	32.281
3642	30.456	15.809	3.34	-	-	-	7.70	31.250	38.281
3648	30.456	18.809	3.98	-	-	-	8.96	31.250	44.281
3654	30.456	21.809	4.61	-	-	Y	10.21	31.250	50.281
3660	30.456	24.809	5.25	Y	-	Y	11.47	31.250	56.281
3662	30.456	25.809	5.46	Y	-	Y	11.89	31.250	58.281
3666	30.456	27.809	5.88	Y	Y	Y	12.73	31.250	62.281
3672	30.456	30.809	6.52	Y	Y	Y	13.99	31.250	68.281
3678	30.456	33.809	7.15	Y	Y	Y	15.24	31.250	74.281
3684	30.456	36.809	7.79	Y	Y	Y	16.50	31.250	80.281

* Egress Code Compliance Terminology
 Y Meets Code
 - Does Not Meet Code

Egress, Lite and Vent Measurements									
Double Hung									
Size	Egress Width	Egress Height	Sq. Ft. Egress	Egress Code Compliance*			Sq. Ft. Daylite	Screen Size	
				U.S.		Canada		Width	Height
				5.0 ft ²	5.7 ft ²				
4030	34.456	9.809	2.35	-	-	-	5.87	35.250	26.281
4036	34.456	12.809	3.06	-	-	-	7.30	35.250	32.281
4042	34.456	15.809	3.78	-	-	Y	8.72	35.250	38.281
4048	34.456	18.809	4.50	-	-	Y	10.14	35.250	44.281
4054	34.456	21.809	5.22	Y	-	Y	11.57	35.250	50.281
4060	34.456	24.809	5.94	Y	Y	Y	12.99	35.250	56.281
4062	34.456	25.809	6.18	Y	Y	Y	13.47	35.250	58.281
4066	34.456	27.809	6.65	Y	Y	Y	14.42	35.250	62.281
4072	34.456	30.809	7.37	Y	Y	Y	15.84	35.250	68.281
4078	34.456	33.809	8.09	Y	Y	Y	17.26	35.250	74.281
4084	34.456	36.809	8.81	Y	Y	Y	18.69	35.250	80.281
4230	36.456	9.809	2.48	-	-	-	6.22	37.250	26.281
4236	36.456	12.809	3.24	-	-	-	7.72	37.250	32.281
4242	36.456	15.809	4.00	-	-	Y	9.23	37.250	38.281
4248	36.456	18.809	4.76	-	-	Y	10.74	37.250	44.281
4254	36.456	21.809	5.52	Y	-	Y	12.25	37.250	50.281
4260	36.456	24.809	6.28	Y	Y	Y	13.75	37.250	56.281
4262	36.456	25.809	6.53	Y	Y	Y	14.26	37.250	58.281
4266	36.456	27.809	7.04	Y	Y	Y	15.26	37.250	62.281
4272	36.456	30.809	7.80	Y	Y	Y	16.77	37.250	68.281
4278	36.456	33.809	8.56	Y	Y	Y	18.27	37.250	74.281
4284	36.456	36.809	9.32	Y	Y	Y	19.78	37.250	80.281
4830	42.456	9.809	2.89	-	-	-	7.25	43.250	26.281
4836	42.456	12.809	3.78	-	-	Y	9.00	43.250	32.281
4842	42.456	15.809	4.66	-	-	Y	10.76	43.250	38.281
4848	42.456	18.809	5.55	Y	-	Y	12.52	43.250	44.281
4854	42.456	21.809	6.43	Y	Y	Y	14.28	43.250	50.281
4860	42.456	24.809	7.31	Y	Y	Y	16.03	43.250	56.281
4862	42.456	25.809	7.61	Y	Y	Y	16.62	43.250	58.281
4866	42.456	27.809	8.20	Y	Y	Y	17.79	43.250	62.281
4872	42.456	30.809	9.08	Y	Y	Y	19.55	43.250	68.281
4878	42.456	33.809	9.97	Y	Y	Y	21.31	43.250	74.281
4884	42.456	36.809	10.85	Y	Y	Y	23.06	43.250	80.281



Egress Conversions			
Width	R.O. - 5.544"		
Height	R.O. / 2 - 5.191"		
Code Requirements	Min Width	Min Height	Min Area (sq.ft.)
U.S.	20"	24"	5.7
U.S. Grade Floor	20"	24"	5.0
Canada	15"	15"	3.77

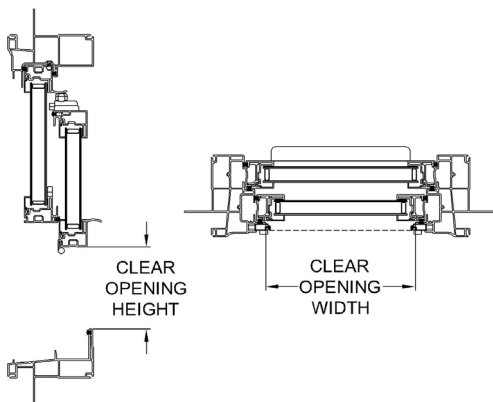
Next Dimension Classic Series

DOUBLE HUNG (Produced before 5/13/13)

EGRESS, LITE & SCREEN MEASUREMENTS

Egress, Lite and Vent Measurements									
Double Hung Cottage									
Size	Egress Width	Egress Height	Sq. Ft. Egress	Egress Code Compliance*			Sq. Ft. Daylite	Screen Size	
				U.S.		Canada		Width	Height
				5.0 ft ²	5.7 ft ²				
Cottage									
2460	18.456	18.809	2.41	-	-	-	6.91	19.250	56.281
2462	18.456	19.809	2.54	-	-	-	7.16	19.250	58.281
2466	18.456	21.809	2.80	-	-	-	7.67	19.250	62.281
2472	18.456	24.809	3.18	-	-	-	8.42	19.250	68.281
3060	24.456	18.809	3.19	-	-	-	9.19	25.250	56.281
3062	24.456	19.809	3.36	-	-	-	9.53	25.250	58.281
3066	24.456	21.809	3.70	-	-	-	10.20	25.250	62.281
3072	24.456	24.809	4.21	-	-	Y	11.20	25.250	68.281
3260	26.456	18.809	3.46	-	-	-	9.95	27.250	56.281
3262	26.456	19.809	3.64	-	-	-	10.31	27.250	58.281
3266	26.456	21.809	4.01	-	-	Y	11.04	27.250	62.281
3272	26.456	24.809	4.56	-	-	Y	12.13	27.250	68.281
3660	30.456	18.809	3.98	-	-	Y	11.47	31.250	56.281
3662	30.456	19.809	4.19	-	-	Y	11.89	31.250	58.281
3666	30.456	21.809	4.61	-	-	Y	12.73	31.250	62.281
3672	30.456	24.809	5.25	Y	-	Y	13.99	31.250	68.281
4060	34.456	18.809	4.50	-	-	Y	12.99	35.250	56.281
4062	34.456	19.809	4.74	-	-	Y	13.47	35.250	58.281
4066	34.456	21.809	5.22	-	-	Y	14.42	35.250	62.281
4072	34.456	24.809	5.94	Y	Y	Y	15.84	35.250	68.281
4260	36.456	18.809	4.76	-	-	Y	13.75	37.250	56.281
4262	36.456	19.809	5.01	-	-	Y	14.26	37.250	58.281
4266	36.456	21.809	5.52	-	-	Y	15.26	37.250	62.281
4272	36.456	24.809	6.28	Y	Y	Y	16.77	37.250	68.281
4860	42.456	18.809	5.55	-	-	Y	16.03	43.250	56.281
4862	42.456	19.809	5.84	-	-	Y	16.62	43.250	58.281
4866	42.456	21.809	6.43	-	-	Y	17.79	43.250	62.281
4872	42.456	24.809	7.31	Y	Y	Y	19.55	43.250	68.281

Egress, Lite and Vent Measurements									
Double Hung Oriel									
Size	Egress Width	Egress Height	Sq. Ft. Egress	Egress Code Compliance*			Sq. Ft. Daylite	Screen Size	
				U.S.		Canada		Width	Height
				5.0 ft ²	5.7 ft ²				
Oriel									
2460	18.456	18.809	2.41	-	-	-	6.91	19.250	56.281
2462	18.456	19.809	2.54	-	-	-	7.16	19.250	58.281
2466	18.456	21.809	2.80	-	-	-	7.67	19.250	62.281
2472	18.456	24.809	3.18	-	-	-	8.42	19.250	68.281
3060	24.456	18.809	3.19	-	-	-	9.19	25.250	56.281
3062	24.456	19.809	3.36	-	-	-	9.53	25.250	58.281
3066	24.456	21.809	3.70	-	-	-	10.20	25.250	62.281
3072	24.456	24.809	4.21	-	-	Y	11.20	25.250	68.281
3260	26.456	18.809	3.46	-	-	-	9.95	27.250	56.281
3262	26.456	19.809	3.64	-	-	-	10.31	27.250	58.281
3266	26.456	21.809	4.01	-	-	Y	11.04	27.250	62.281
3272	26.456	24.809	4.56	-	-	Y	12.13	27.250	68.281
3660	30.456	18.809	3.98	-	-	Y	11.47	31.250	56.281
3662	30.456	19.809	4.19	-	-	Y	11.89	31.250	58.281
3666	30.456	21.809	4.61	-	-	Y	12.73	31.250	62.281
3672	30.456	24.809	5.25	Y	-	Y	13.99	31.250	68.281
4060	34.456	18.809	4.50	-	-	Y	12.99	35.250	56.281
4062	34.456	19.809	4.74	-	-	Y	13.47	35.250	58.281
4066	34.456	21.809	5.22	-	-	Y	14.42	35.250	62.281
4072	34.456	24.809	5.94	Y	Y	Y	15.84	35.250	68.281
4260	36.456	18.809	4.76	-	-	Y	13.75	37.250	56.281
4262	36.456	19.809	5.01	-	-	Y	14.26	37.250	58.281
4266	36.456	21.809	5.52	-	-	Y	15.26	37.250	62.281
4272	36.456	24.809	6.28	Y	Y	Y	16.77	37.250	68.281
4860	42.456	18.809	5.55	-	-	Y	16.03	43.250	56.281
4862	42.456	19.809	5.84	-	-	Y	16.62	43.250	58.281
4866	42.456	21.809	6.43	-	-	Y	17.79	43.250	62.281
4872	42.456	24.809	7.31	Y	Y	Y	19.55	43.250	68.281



Egress Conversions - Cottage	
Width	R.O. - 5.544"
Height	R.O. / 2 - 11.191

Egress Conversions - Oriel	
Width	R.O. - 5.544"
Height	R.O. / 2 - 11.191

* Egress Code Compliance Terminology

- Y Meets Code
- Does Not Meet Code

Code Requirements	Min Width	Min Height	Min Area (sq.ft.)
U.S.	20"	24"	5.7
U.S. Grade Floor	20"	24"	5.0
Canada	15"	15"	3.77