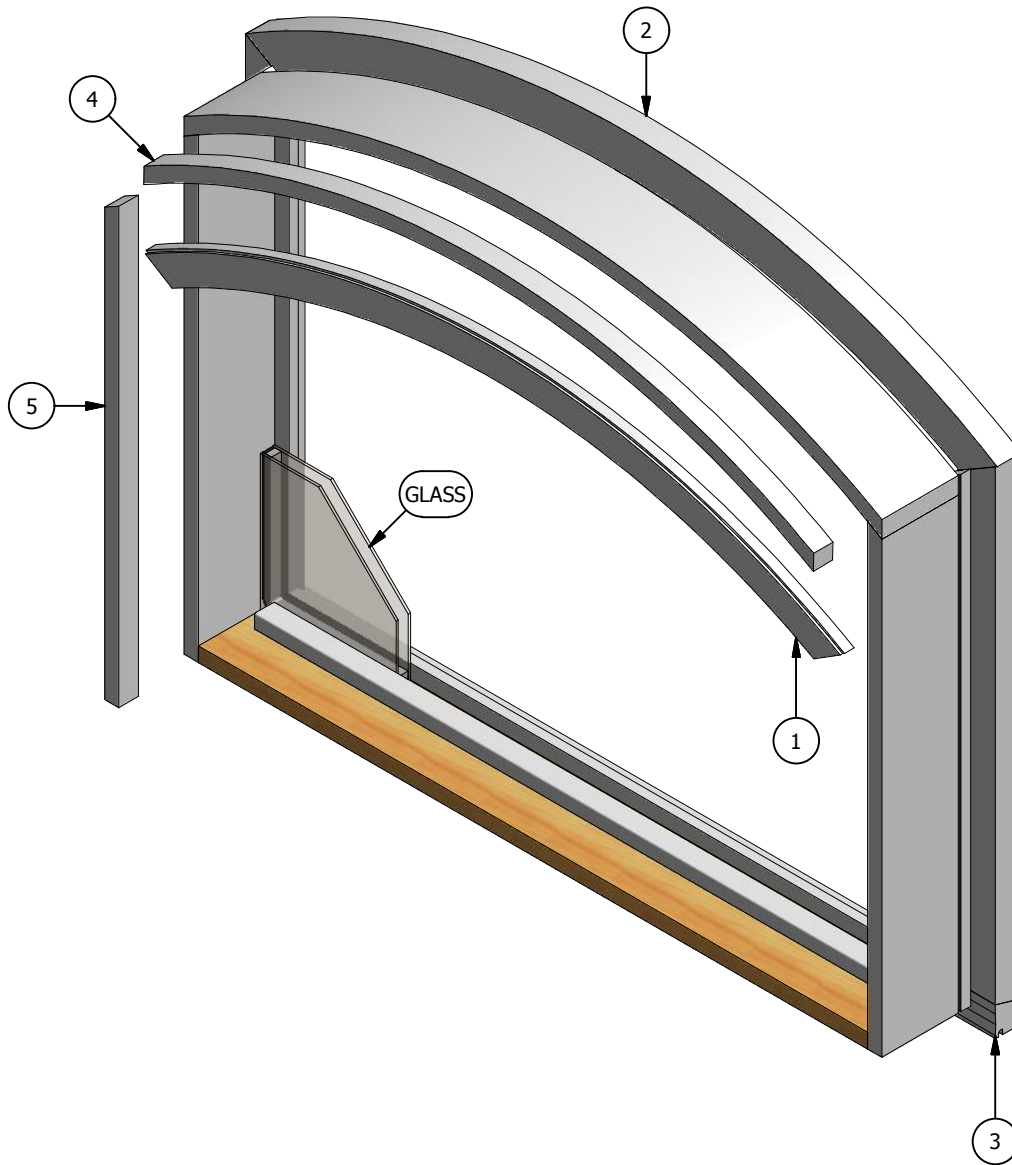




**WINDSOR**  
WINDOWS & DOORS  
A Woodgrain Millwork Company

# Legend Series Radius Parts Identification




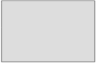
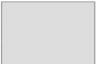




# Legend Series

## Radius

### Parts Identification

Image	Item #	Description	Color / Finish	Spec	Old	New SAP
	1	Outside Stop	12' Lineal Length		2390018	10055170
	2	Exterior Casing (Head & Sides) (See Accessory section for other options)	14' Lineal Length		2390003	10053119
	3	Sill Nose	12' Lineal Length		2380021	10053214
	4	Radius Inside Stop	14' Lineal Length		2380048*	10055336
	5	Inside Stop (Sill & Sides)	14' Lineal Length		2380048	10055336

\* When ordering replacement parts for radius units, include the following information:  
 Frame base measured from base outside of frame to outside of frame  
 Frame height measured from outside of base to top of hights point of radius at head  
 If the unit has vertical legs, measure from base to top of leg where radius starts