

Pinnacle Series

CLAD AWNING

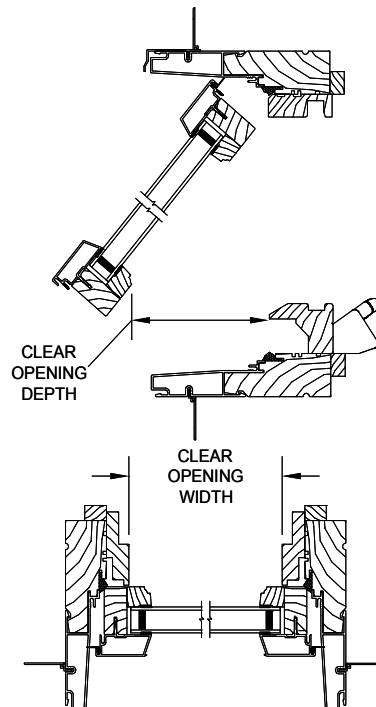
LITE, VENT & SCREEN MEASUREMENTS

Lite and Vent Measurements						
Awning						
Size	Clear Opening in Full Open Position			Screen Sizes		S.Q. FT. Daylite
	Clear Opg Width	Clear Opg Depth	Clear Opg S.Q. FT	Width	Height	
2014	20.13	14.25	1.99	20 11/16	13 3/4	1.72
2016	20.13	14.25	1.99	20 11/16	15 3/4	1.98
2020	20.13	14.25	1.99	20 11/16	19 3/4	2.50
2024	20.13	14.25	1.99	20 11/16	23 3/4	3.03
2026	20.13	14.25	1.99	20 11/16	25 3/4	3.30
2032	20.13	14.25	1.99	20 11/16	31 3/4	4.09
2038	20.13	14.25	1.99	20 11/16	37 3/4	4.88
2044	20.13	14.25	1.99	20 11/16	43 3/4	5.67
2050	20.13	14.25	1.99	20 11/16	49 3/4	6.47
2056	20.13	14.25	1.99	20 11/16	55 3/4	7.26
2414	24.13	14.25	2.39	24 11/16	13 3/4	2.08
2416	24.13	14.25	2.39	24 11/16	15 3/4	2.40
2420	24.13	14.25	2.39	24 11/16	19 3/4	3.03
2424	24.13	14.25	2.39	24 11/16	23 3/4	3.67
2426	24.13	14.25	2.39	24 11/16	25 3/4	4.00
2432	24.13	14.25	2.39	24 11/16	31 3/4	4.95
2438	24.13	14.25	2.39	24 11/16	37 3/4	5.91
2444	24.13	14.25	2.39	24 11/16	43 3/4	6.87
2450	24.13	14.25	2.39	24 11/16	49 3/4	7.83
2456	24.13	14.25	2.39	24 11/16	55 3/4	8.78
2614	26.13	14.25	2.59	26 11/16	13 3/4	2.25
2616	26.13	14.25	2.59	26 11/16	15 3/4	2.60
2620	26.13	14.25	2.59	26 11/16	19 3/4	3.30
2624	26.13	14.25	2.59	26 11/16	23 3/4	4.00
2626	26.13	14.25	2.59	26 11/16	25 3/4	4.34
2632	26.13	14.25	2.59	26 11/16	31 3/4	5.38
2638	26.13	14.25	2.59	26 11/16	37 3/4	6.42
2644	26.13	14.25	2.59	26 11/16	43 3/4	7.47
2650	26.13	14.25	2.59	26 11/16	49 3/4	8.51
2656	26.13	14.25	2.59	26 11/16	55 3/4	9.55
2814	28.13	14.25	2.78	28 11/16	13 3/4	2.37
2816	28.13	14.25	2.78	28 11/16	15 3/4	2.74
2820	28.13	14.25	2.78	28 11/16	19 3/4	3.48
2824	28.13	14.25	2.78	28 11/16	23 3/4	4.23
2826	28.13	14.25	2.78	28 11/16	25 3/4	4.60
2832	28.13	14.25	2.78	28 11/16	31 3/4	5.71
2838	28.13	14.25	2.78	28 11/16	37 3/4	6.64
2844	28.13	14.25	2.78	28 11/16	43 3/4	7.94
2850	28.13	14.25	2.78	28 11/16	49 3/4	9.06
2856	28.13	14.25	2.78	28 11/16	55 3/4	10.17
3214	32.13	14.25	3.18	32 11/16	13 3/4	2.80
3216	32.13	14.25	3.18	32 11/16	15 3/4	3.23
3220	32.13	14.25	3.18	32 11/16	19 3/4	4.09
3224	32.13	14.25	3.18	32 11/16	23 3/4	4.95
3226	32.13	14.25	3.18	32 11/16	25 3/4	5.38
3232	32.13	14.25	3.18	32 11/16	31 3/4	6.67
3238	32.13	14.25	3.18	32 11/16	37 3/4	7.97
3244	32.13	14.25	3.18	32 11/16	43 3/4	9.26
3250	32.13	14.25	3.18	32 11/16	49 3/4	10.55
3256	32.13	14.25	3.18	32 11/16	55 3/4	11.84
3814	38.13	14.25	3.77	38 11/16	13 3/4	3.34
3816	38.13	14.25	3.77	38 11/16	15 3/4	3.85
3820	38.13	14.25	3.77	38 11/16	19 3/4	4.88
3824	38.13	14.25	3.77	38 11/16	23 3/4	5.91
3826	38.13	14.25	3.77	38 11/16	25 3/4	6.42
3832	38.13	14.25	3.77	38 11/16	31 3/4	7.96
3838	38.13	14.25	3.77	38 11/16	37 3/4	9.51
3844	38.13	14.25	3.77	38 11/16	43 3/4	11.05
3850	38.13	14.25	3.77	38 11/16	49 3/4	12.95
3856	38.13	14.25	3.77	38 11/16	55 3/4	14.13

* These windows do not meet egress requirements. Verify local and state requirements with your local building inspector.

Lite and Vent Measurements						
Awning						
Size	Clear Opening in Full Open Position			Screen Sizes		S.Q. FT. Daylite
	Clear Opg Width	Clear Opg Depth	S.Q. FT Clear Opg	Width	Height	
4414	44.13	14.25	4.37	44 11/16	13 3/4	3.88
4416	44.13	14.25	4.37	44 11/16	15 3/4	4.48
4420	44.13	14.25	4.37	44 11/16	19 3/4	5.91
4424	44.13	14.25	4.37	44 11/16	23 3/4	6.42
4426	44.13	14.25	4.37	44 11/16	25 3/4	7.96
4432	44.13	14.25	4.37	44 11/16	31 3/4	9.51
4438	44.13	14.25	4.37	44 11/16	37 3/4	11.05
4444	44.13	14.25	4.37	44 11/16	43 3/4	12.95
4450	44.13	14.25	4.37	44 11/16	49 3/4	14.13
4456	44.13	14.25	4.37	44 11/16	55 3/4	16.42
5014	50.13	14.25	4.96	50 11/16	13 3/4	4.32
5016	50.13	14.25	4.96	50 11/16	15 3/4	5.00
5020	50.13	14.25	4.96	50 11/16	19 3/4	6.35
5024	50.13	14.25	4.96	50 11/16	23 3/4	7.70
5026	50.13	14.25	4.96	50 11/16	25 3/4	8.38
5032	50.13	14.25	4.96	50 11/16	31 3/4	10.41
5038	50.13	14.25	4.96	50 11/16	37 3/4	12.59
5044	50.13	14.25	4.96	50 11/16	43 3/4	14.63
5050	50.13	14.25	4.96	50 11/16	49 3/4	16.67
5056	50.13	14.25	4.96	50 11/16	55 3/4	18.72
5614	56.13	14.25	5.55	56 11/16	13 3/4	4.85
5616	56.13	14.25	5.55	56 11/16	15 3/4	5.61
5620	56.13	14.25	5.55	56 11/16	19 3/4	7.13
5624	56.13	14.25	5.55	56 11/16	23 3/4	8.65
5626	56.13	14.25	5.55	56 11/16	25 3/4	9.41
5632	56.13	14.25	5.55	56 11/16	31 3/4	11.69
5638	56.13	14.25	5.55	56 11/16	37 3/4	14.13
5644	56.13	14.25	5.55	56 11/16	43 3/4	16.42
5650	56.13	14.25	5.55	56 11/16	49 3/4	18.72
5656	56.13	14.25	5.55	56 11/16	55 3/4	21.00

* These windows do not meet egress requirements. Verify local and state requirements with your local building inspector.



Pinnacle Series

CLAD AWNING - 3 1/4" FRAME

LITE, VENT & SCREEN MEASUREMENTS

Lite and Vent Measurements						
Awning						
Size	Clear Opening in Full Open Position			Screen Sizes		S.Q. FT. Daylite
	Clear Opg Width	Clear Opg Depth	Clear Opg S.Q. FT	Width	Height	
2014	20.13	14.25	1.99	20 11/16	13 9/16	1.72
2016	20.13	14.25	1.99	20 11/16	15 9/16	1.98
2020	20.13	14.25	1.99	20 11/16	19 9/16	2.50
2024	20.13	14.25	1.99	20 11/16	23 9/16	3.03
2026	20.13	14.25	1.99	20 11/16	25 9/16	3.30
2032	20.13	14.25	1.99	20 11/16	31 9/16	4.09
2038	20.13	14.25	1.99	20 11/16	37 9/16	4.88
2044	20.13	14.25	1.99	20 11/16	43 9/16	5.67
2050	20.13	14.25	1.99	20 11/16	49 9/16	6.47
2056	20.13	14.25	1.99	20 11/16	55 9/16	7.26
2414	24.13	14.25	2.39	24 11/16	13 9/16	2.08
2416	24.13	14.25	2.39	24 11/16	15 9/16	2.40
2420	24.13	14.25	2.39	24 11/16	19 9/16	3.03
2424	24.13	14.25	2.39	24 11/16	23 9/16	3.67
2426	24.13	14.25	2.39	24 11/16	25 9/16	4.00
2432	24.13	14.25	2.39	24 11/16	31 9/16	4.95
2438	24.13	14.25	2.39	24 11/16	37 9/16	5.91
2444	24.13	14.25	2.39	24 11/16	43 9/16	6.87
2450	24.13	14.25	2.39	24 11/16	49 9/16	7.83
2456	24.13	14.25	2.39	24 11/16	55 9/16	8.78
2614	26.13	14.25	2.59	26 11/16	13 9/16	2.25
2616	26.13	14.25	2.59	26 11/16	15 9/16	2.60
2620	26.13	14.25	2.59	26 11/16	19 9/16	3.30
2624	26.13	14.25	2.59	26 11/16	23 9/16	4.00
2626	26.13	14.25	2.59	26 11/16	25 9/16	4.34
2632	26.13	14.25	2.59	26 11/16	31 9/16	5.38
2638	26.13	14.25	2.59	26 11/16	37 9/16	6.42
2644	26.13	14.25	2.59	26 11/16	43 9/16	7.47
2650	26.13	14.25	2.59	26 11/16	49 9/16	8.51
2656	26.13	14.25	2.59	26 11/16	55 9/16	9.55
2814	28.13	14.25	2.78	28 11/16	13 9/16	2.37
2816	28.13	14.25	2.78	28 11/16	15 9/16	2.74
2820	28.13	14.25	2.78	28 11/16	19 9/16	3.48
2824	28.13	14.25	2.78	28 11/16	23 9/16	4.23
2826	28.13	14.25	2.78	28 11/16	25 9/16	4.60
2832	28.13	14.25	2.78	28 11/16	31 9/16	5.71
2838	28.13	14.25	2.78	28 11/16	37 9/16	6.64
2844	28.13	14.25	2.78	28 11/16	43 9/16	7.94
2850	28.13	14.25	2.78	28 11/16	49 9/16	9.06
2856	28.13	14.25	2.78	28 11/16	55 9/16	10.17
3214	32.13	14.25	3.18	32 11/16	13 9/16	2.80
3216	32.13	14.25	3.18	32 11/16	15 9/16	3.23
3220	32.13	14.25	3.18	32 11/16	19 9/16	4.09
3224	32.13	14.25	3.18	32 11/16	23 9/16	4.95
3226	32.13	14.25	3.18	32 11/16	25 9/16	5.38
3232	32.13	14.25	3.18	32 11/16	31 9/16	6.67
3238	32.13	14.25	3.18	32 11/16	37 9/16	7.97
3244	32.13	14.25	3.18	32 11/16	43 9/16	9.26
3250	32.13	14.25	3.18	32 11/16	49 9/16	10.55
3256	32.13	14.25	3.18	32 11/16	55 9/16	11.84
3814	38.13	14.25	3.77	38 11/16	13 9/16	3.34
3816	38.13	14.25	3.77	38 11/16	15 9/16	3.85
3820	38.13	14.25	3.77	38 11/16	19 9/16	4.88
3824	38.13	14.25	3.77	38 11/16	23 9/16	5.91
3826	38.13	14.25	3.77	38 11/16	25 9/16	6.42
3832	38.13	14.25	3.77	38 11/16	31 9/16	7.96
3838	38.13	14.25	3.77	38 11/16	37 9/16	9.51
3844	38.13	14.25	3.77	38 11/16	43 9/16	11.05
3850	38.13	14.25	3.77	38 11/16	49 9/16	12.95
3856	38.13	14.25	3.77	38 11/16	55 9/16	14.13

* These windows do not meet egress requirements. Verify local and state requirements with your local building inspector.

Lite and Vent Measurements						
Awning						
Size	Clear Opening in Full Open Position			Screen Sizes		S.Q. FT. Daylite
	Clear Opg Width	Clear Opg Depth	S.Q. FT Clear Opg	Width	Height	
4414	44.13	14.25	4.37	44 11/16	13 9/16	3.88
4416	44.13	14.25	4.37	44 11/16	15 9/16	4.48
4420	44.13	14.25	4.37	44 11/16	19 9/16	5.91
4424	44.13	14.25	4.37	44 11/16	23 9/16	6.42
4426	44.13	14.25	4.37	44 11/16	25 9/16	7.96
4432	44.13	14.25	4.37	44 11/16	31 9/16	9.51
4438	44.13	14.25	4.37	44 11/16	37 9/16	11.05
4444	44.13	14.25	4.37	44 11/16	43 9/16	12.95
4450	44.13	14.25	4.37	44 11/16	49 9/16	14.13
4456	44.13	14.25	4.37	44 11/16	55 9/16	16.42
5014	50.13	14.25	4.96	50 11/16	13 9/16	4.32
5016	50.13	14.25	4.96	50 11/16	15 9/16	5.00
5020	50.13	14.25	4.96	50 11/16	19 9/16	6.35
5024	50.13	14.25	4.96	50 11/16	23 9/16	7.70
5026	50.13	14.25	4.96	50 11/16	25 9/16	8.38
5032	50.13	14.25	4.96	50 11/16	31 9/16	10.41
5038	50.13	14.25	4.96	50 11/16	37 9/16	12.59
5044	50.13	14.25	4.96	50 11/16	43 9/16	14.63
5050	50.13	14.25	4.96	50 11/16	49 9/16	16.67
5056	50.13	14.25	4.96	50 11/16	55 9/16	18.72
5614	56.13	14.25	5.55	56 11/16	13 9/16	4.85
5616	56.13	14.25	5.55	56 11/16	15 9/16	5.61
5620	56.13	14.25	5.55	56 11/16	19 9/16	7.13
5624	56.13	14.25	5.55	56 11/16	23 9/16	8.65
5626	56.13	14.25	5.55	56 11/16	25 9/16	9.41
5632	56.13	14.25	5.55	56 11/16	31 9/16	11.69
5638	56.13	14.25	5.55	56 11/16	37 9/16	14.13
5644	56.13	14.25	5.55	56 11/16	43 9/16	16.42
5650	56.13	14.25	5.55	56 11/16	49 9/16	18.72
5656	56.13	14.25	5.55	56 11/16	55 9/16	21.00

* These windows do not meet egress requirements. Verify local and state requirements with your local building inspector.

