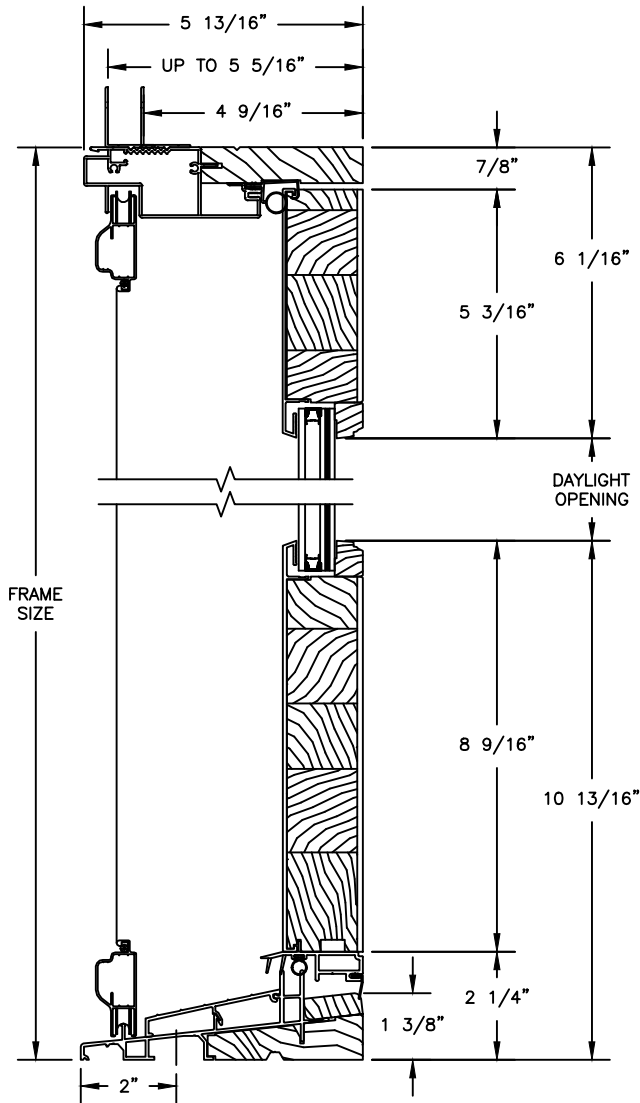


Pinnacle Impact Series

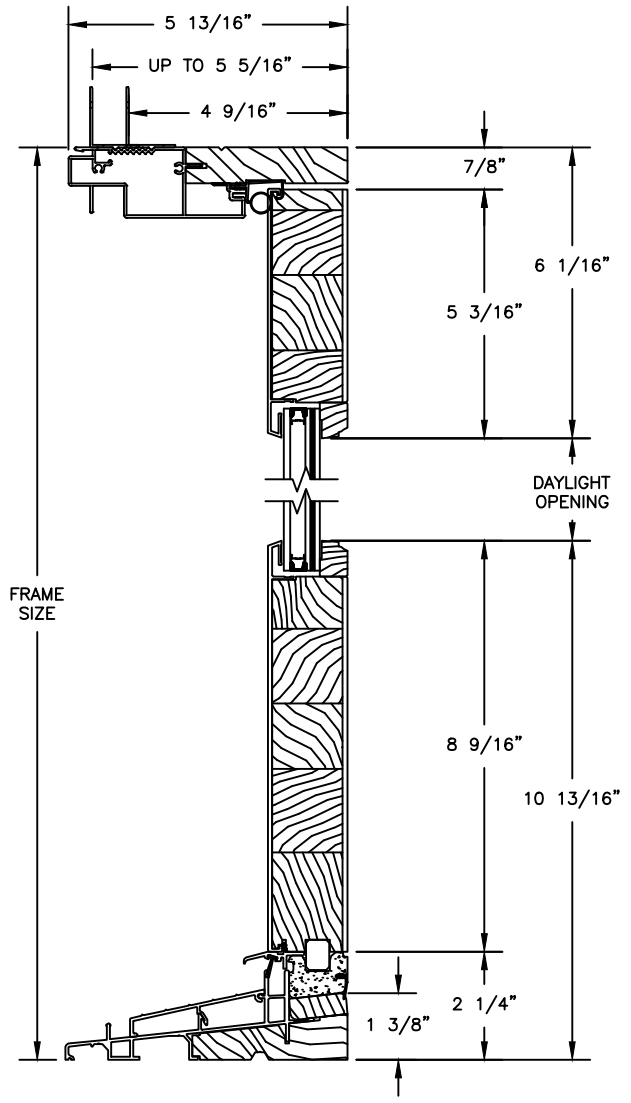
CLAD PATIO DOOR - FRENCH INSWING

SECTION DETAILS 4 9/16" TO 5 5/16" JAMB

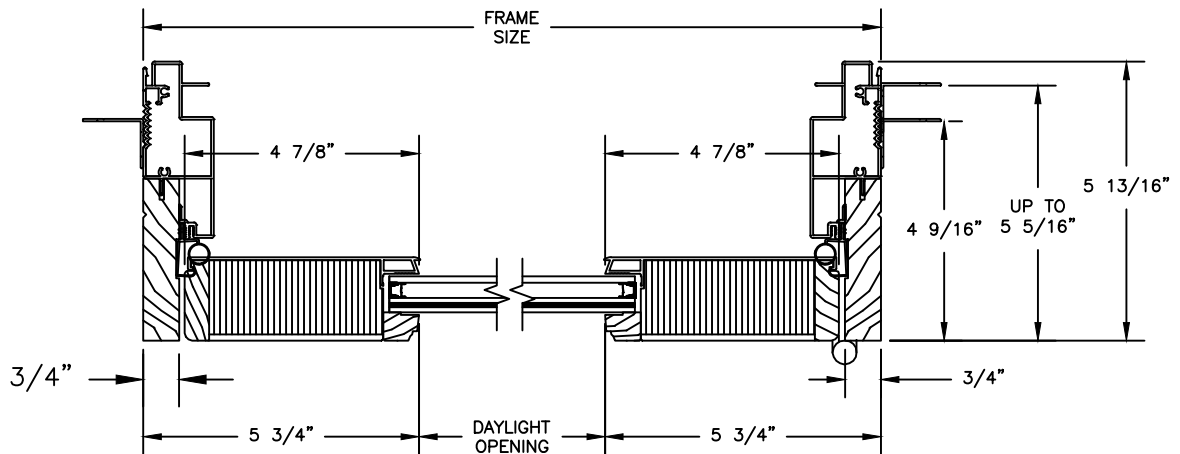
SCALE: 3" = 1'-0"



OPERATING HEAD JAMB & SILL



STATIONARY HEAD JAMB & SILL



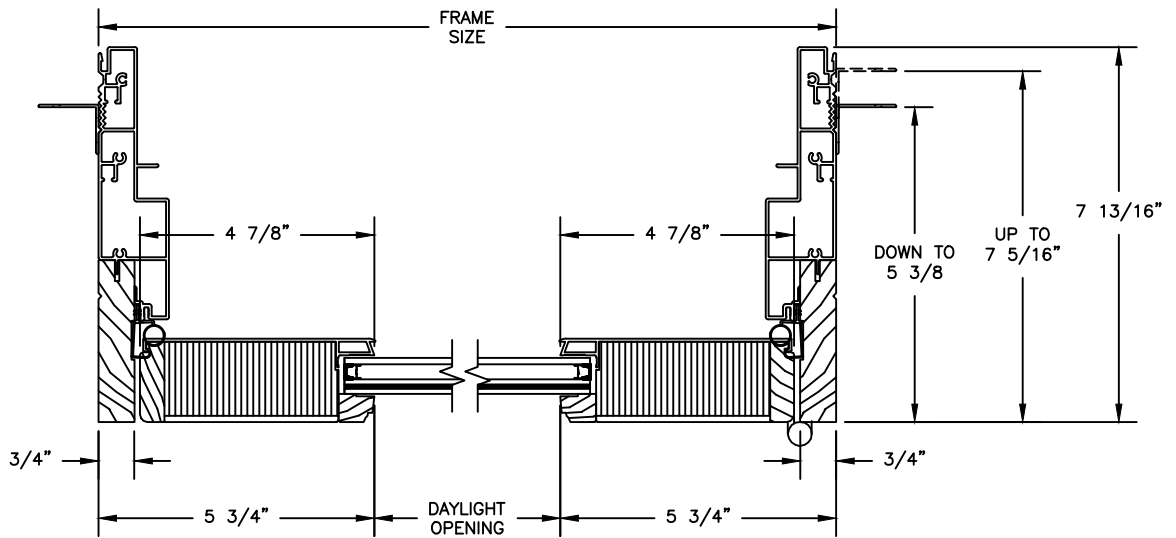
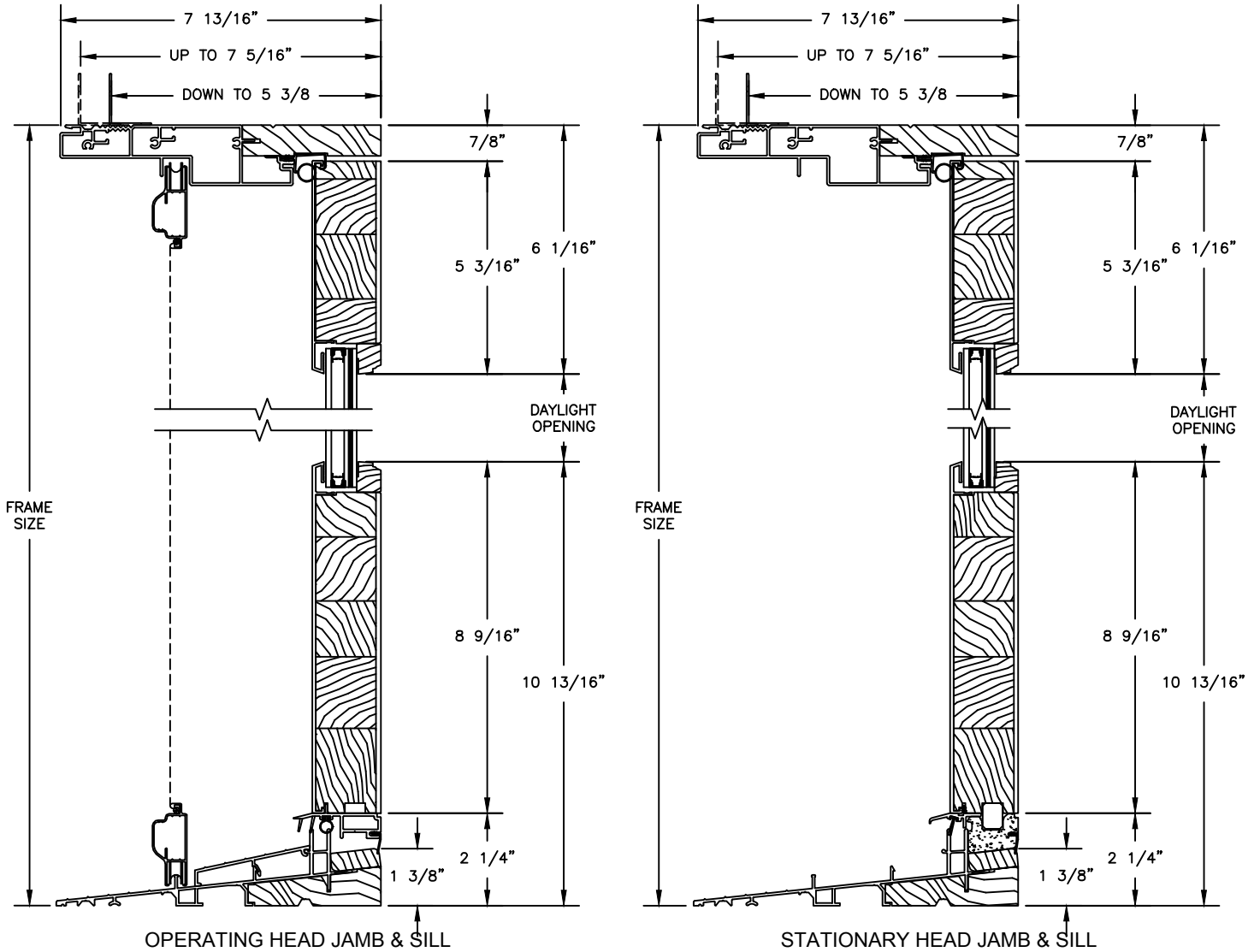
1 PANEL JAMB

Pinnacle Impact Series

CLAD PATIO DOOR - FRENCH INSWING

SECTION DETAILS 5 3/8" TO 7 5/16" JAMB

SCALE: 3" = 1'-0"



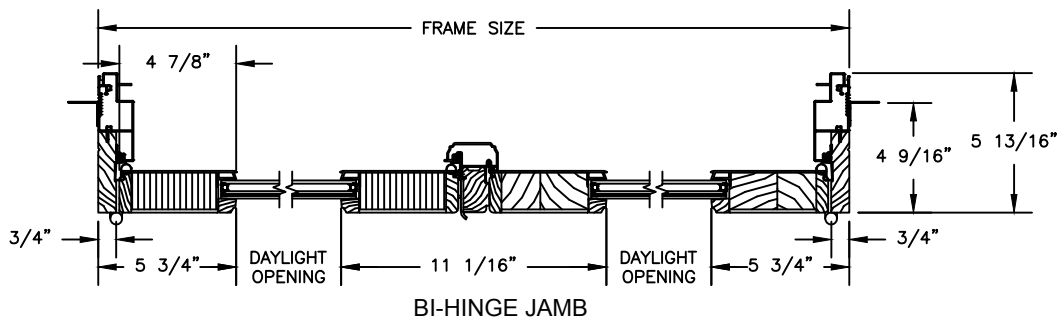
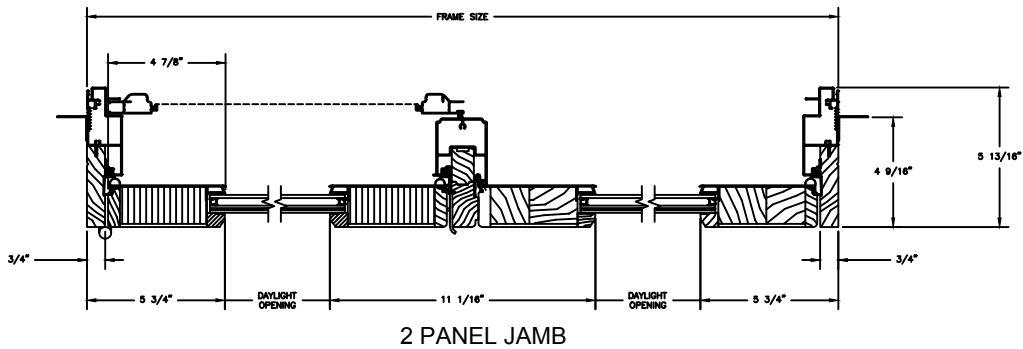
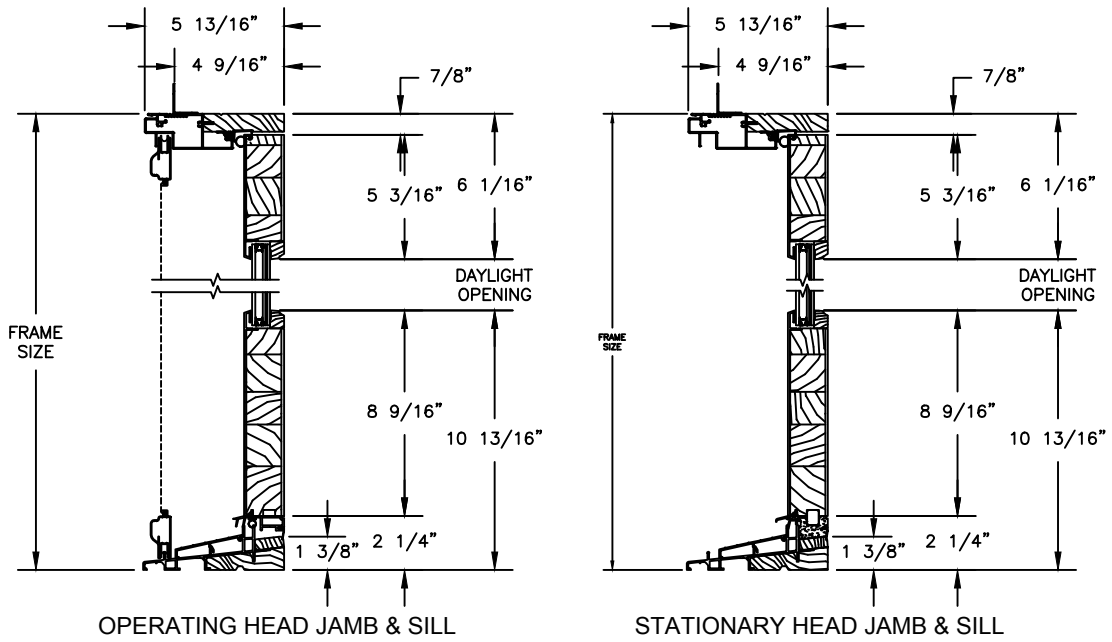
1 PANEL JAMB

Pinnacle Impact Series

CLAD PATIO DOOR - FRENCH INSWING

SECTION DETAILS

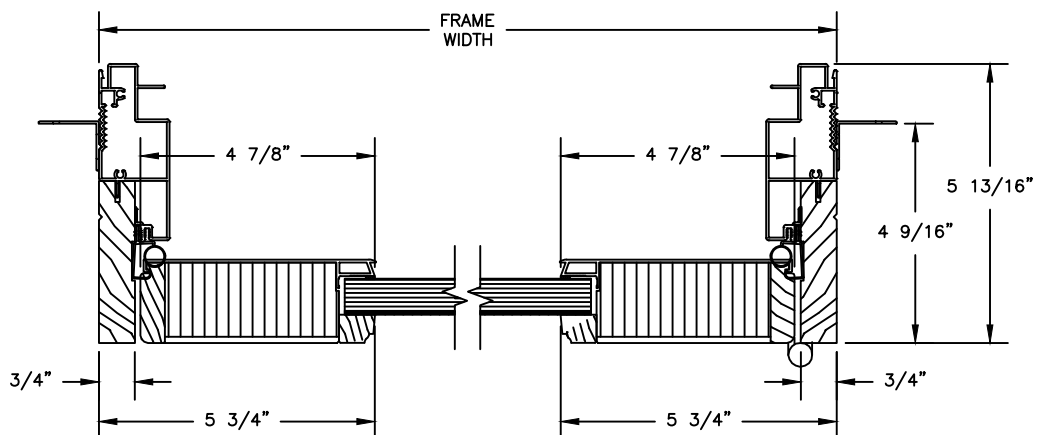
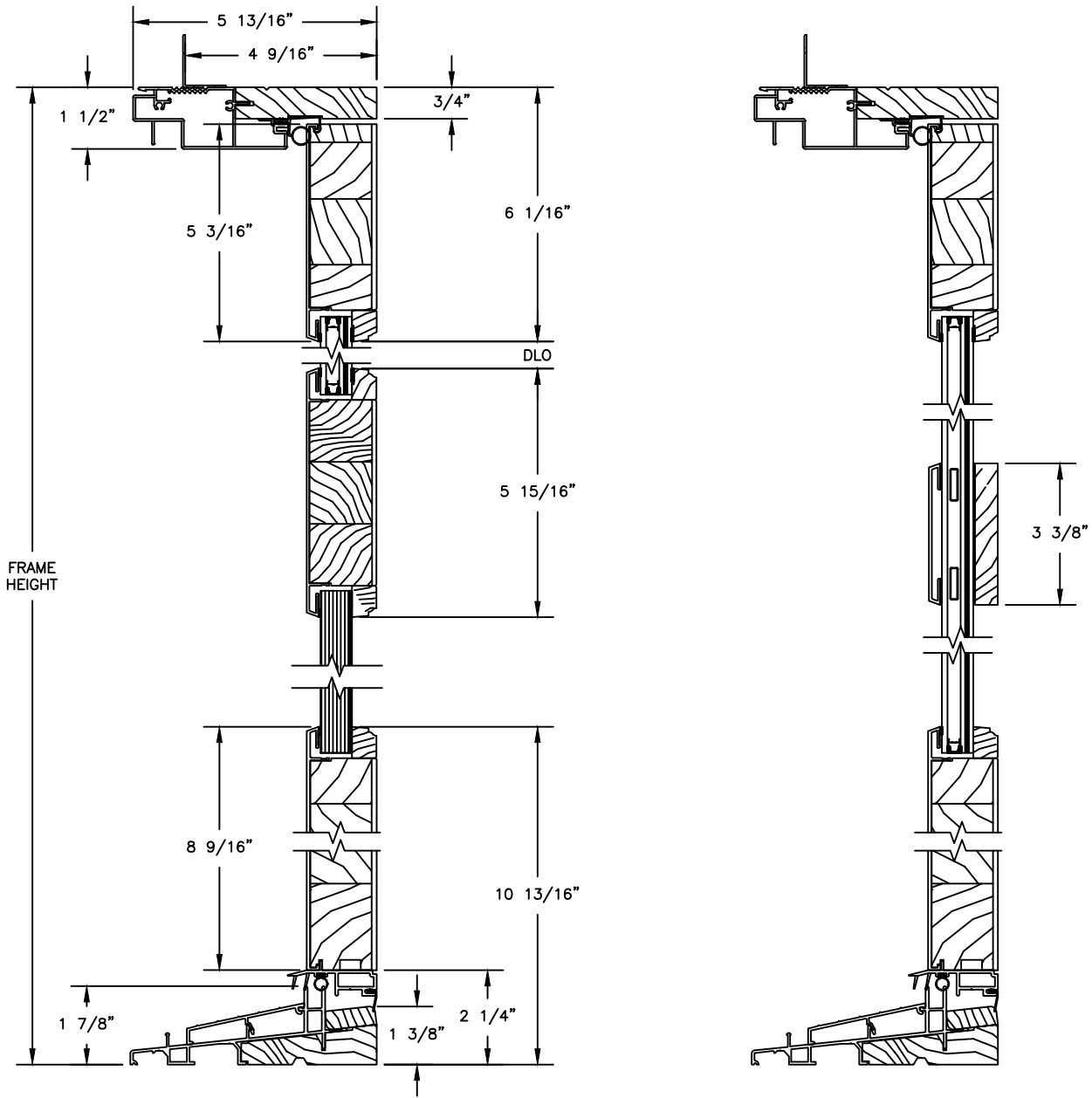
SCALE: 1 1/2" = 1'-0"



Pinnacle Impact Series

CLAD PATIO DOOR - FRENCH INSWING

SECTION DETAILS: 4 9/16" JAMB WITH 3/4" LITE FLAT PANEL AND SIMULATED MIDRAIL
SCALE: 3" = 1'-0"

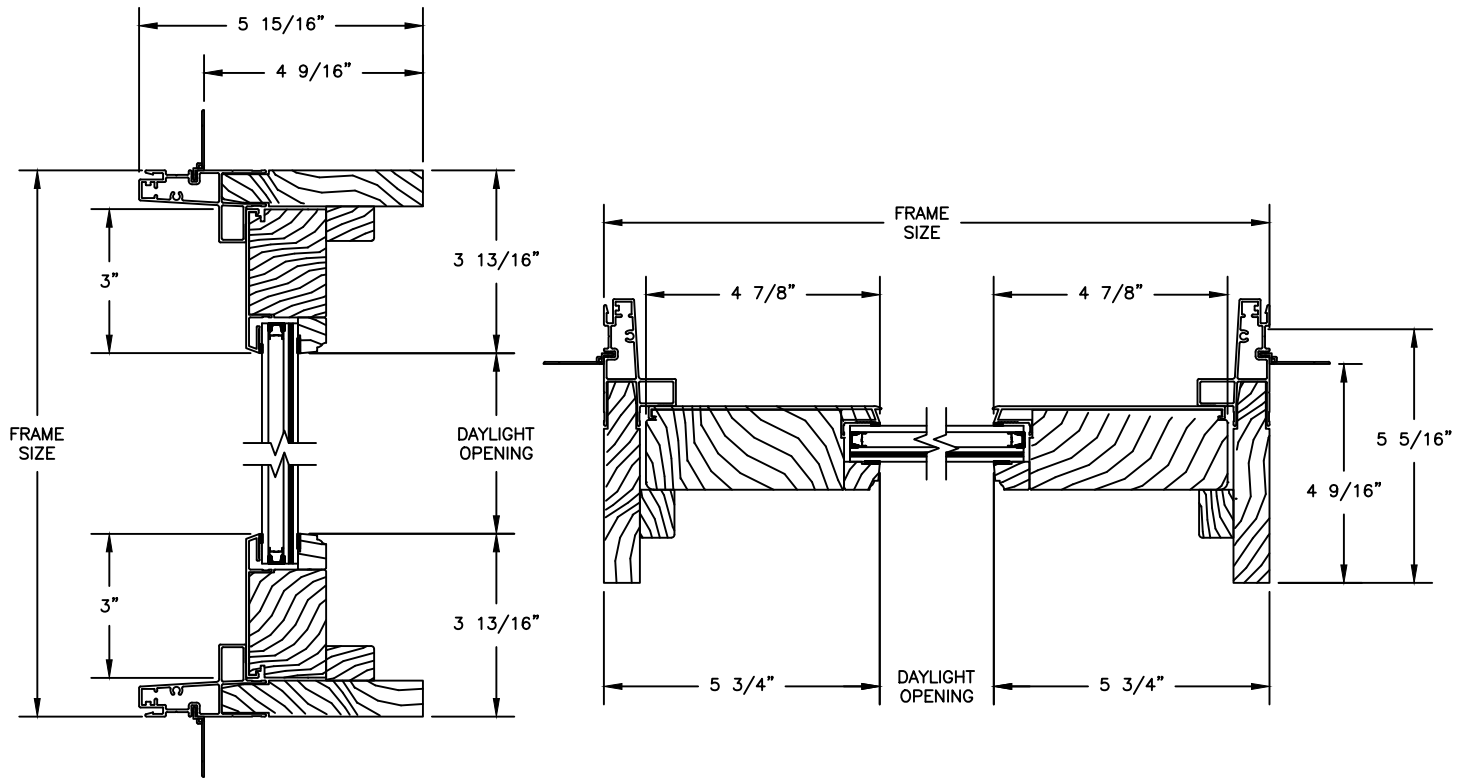


Pinnacle Impact Series

CLAD PATIO DOOR - FRENCH INSWING & OUTSWING

SECTION DETAILS: TRANSOM

SCALE: 3" = 1'-0"



HEAD JAMB & SILL

JAMB

Pinnacle Impact Series

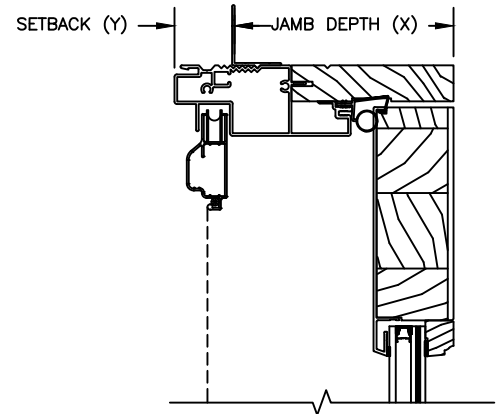
CLAD PATIO DOOR - FRENCH INSWING

SECTION DETAILS: NARROW / WIDE JAMB SETBACK & JAMB DEPTHS

	JAMB DEPTH (X)	SETBACK (Y)
NARROW JAMB	4.583	1.250
	4.623	1.186
	4.688	1.125
	4.751	1.063
	4.813	1.000
	4.876	.938
	4.938	.875
	5.001	.813
	5.063	.750
	5.126	.688
	5.188	.625
	5.251	.563
	5.313	.500
	WIDE JAMB	5.375
5.438		2.375
5.500		2.312
5.563		2.250
5.325		2.187
5.688		2.125
5.750		2.062
5.813		2.000
5.875		1.937
5.938		1.875
6.000		1.812
6.063		1.750
6.125		1.687
6.188		1.625
6.250		1.562
6.313		1.500
6.375		1.437
6.438		1.375
6.500		1.312
6.563		1.250
6.625		1.187
6.688		1.125
6.750		1.062
6.813		1.000
6.875		.937
6.938		.875
7.000	.812	
7.063	.750	
7.125	.687	
7.188	.625	
7.250	.562	
7.313	.500	

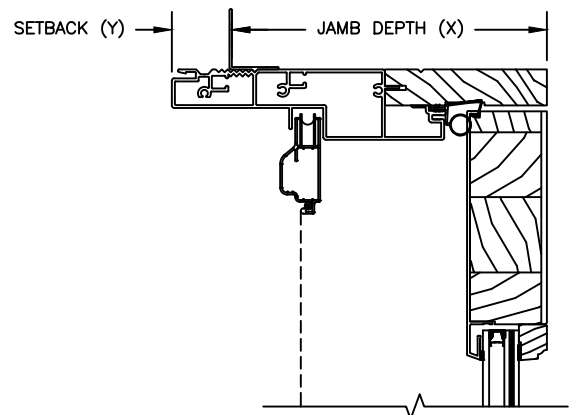
NARROW JAMB

(4 9/16" - 5 5/16")



WIDE JAMB

(5 3/8" - 7 1/4")



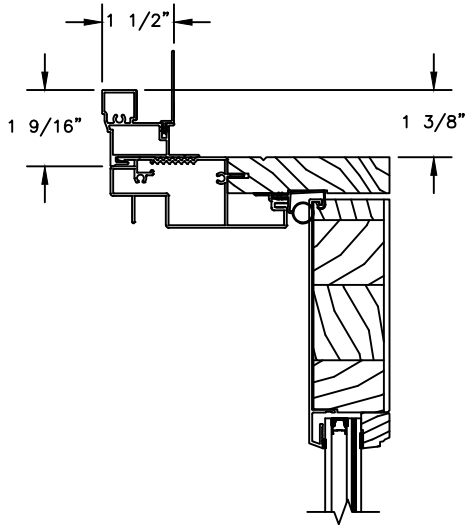
STANDARD JAMB DEPTHS: 4 9/16" | 5 1/4" | 6 9/16" | 7 1/4"

Pinnacle Impact Series

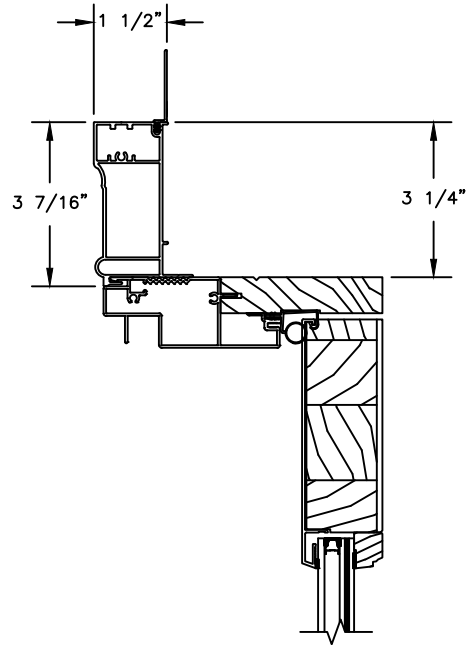
CLAD FRENCH SWINGING PATIO DOOR

SECTION DETAILS : CASING OPTIONS

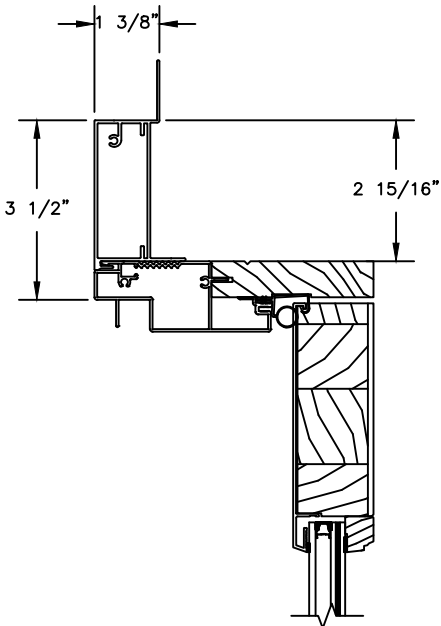
SCALE: 3" = 1'-0"



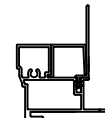
HEAD JAMB WITH
CLAD BRICKMOULD CASING



HEAD JAMB WITH
CLAD WILLIAMSBURG CASING



HEAD JAMB WITH
3 1/2" CLAD FLAT CASING



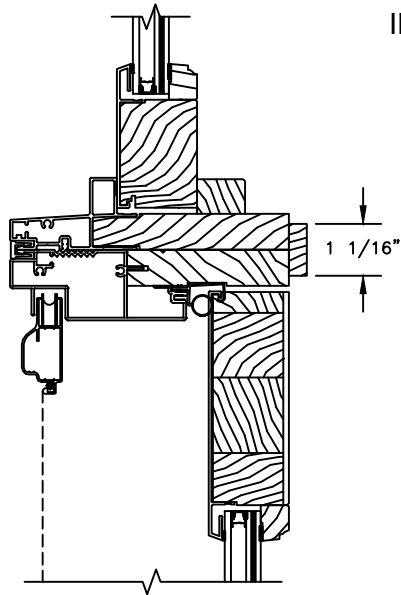
CLAD BRICKMOULD CASING
WITH OPTIONAL J-CHANNEL COVER

Pinnacle Impact Series

CLAD FRENCH SWINGING PATIO DOOR

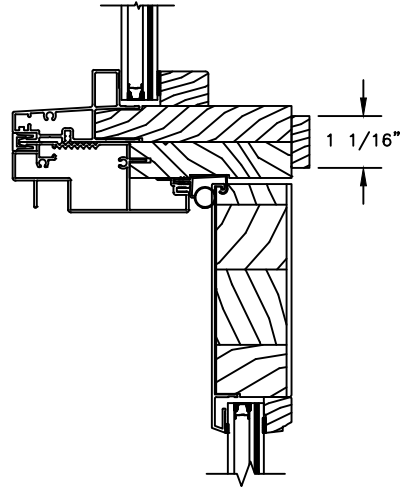
SECTION DETAILS : MULLIONS

SCALE: 3" = 1'-0"

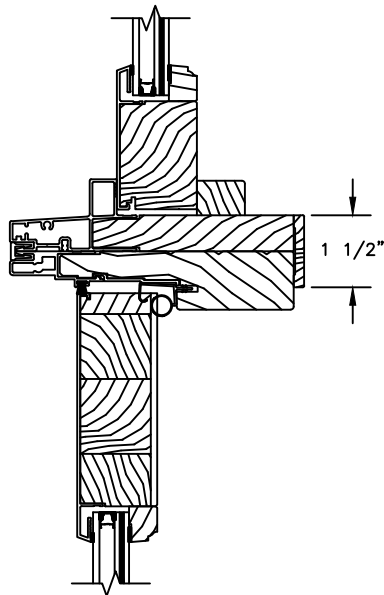


INSWING

HORIZONTAL MULLION
TRANSOM/OPERATOR

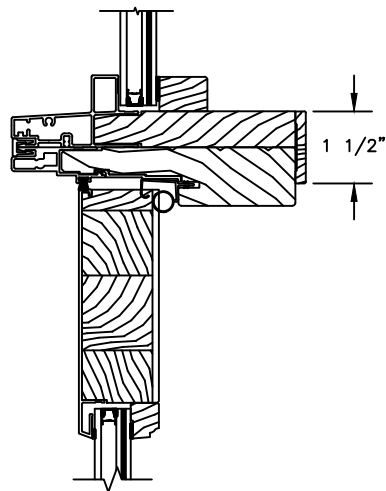


HORIZONTAL MULLION
RADIUS/STATIONARY



OUTSWING

HORIZONTAL MULLION
TRANSOM/OPERATOR



HORIZONTAL MULLION
RADIUS/OPERATOR

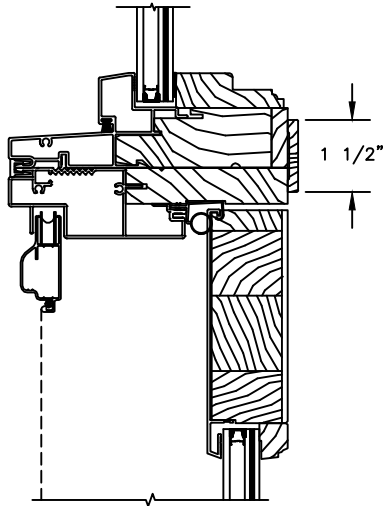
Pinnacle Impact Series

CLAD FRENCH SWINGING PATIO DOOR

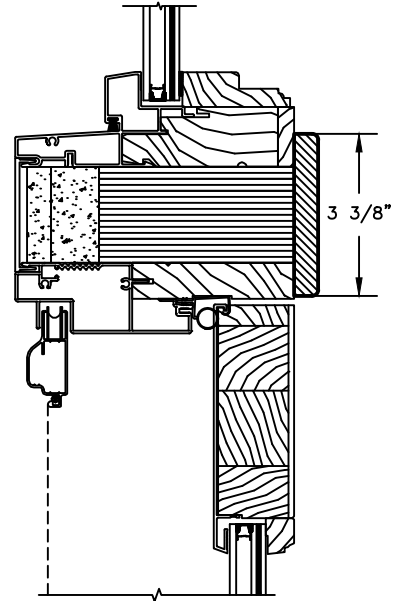
SECTION DETAILS : MULLIONS

SCALE: 3" = 1'-0"

INSWING

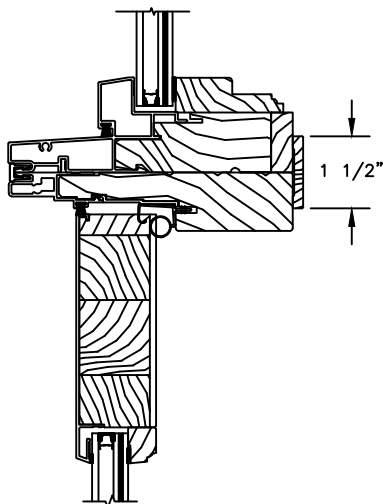


HORIZONTAL MULLION
DIRECT SET/OPERATOR

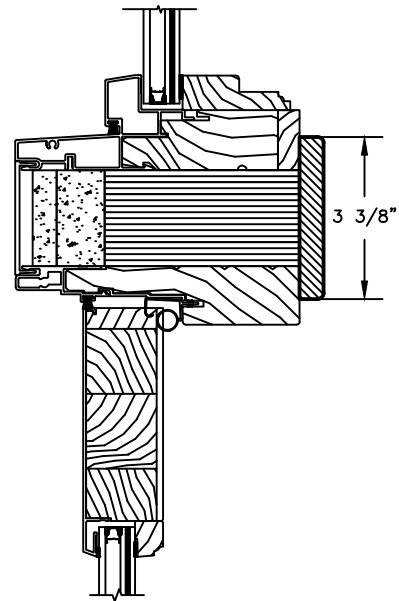


HORIZONTAL MULLION WITH
2" SPREAD MULL
DIRECT SET/OPERATOR
ADDITIONAL WIDTHS INCLUDE:
1", 2", 2 1/2", 3", & 4"

OUTSWING



HORIZONTAL MULLION
DIRECT SET/OPERATOR



HORIZONTAL MULLION WITH
2" SPREAD MULL
DIRECT SET/OPERATOR
ADDITIONAL WIDTHS INCLUDE:
1", 2", 2 1/2", 3", & 4"

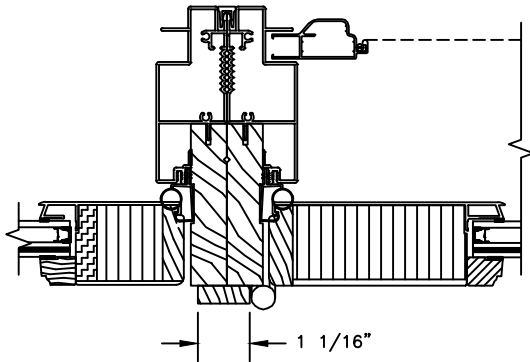
Pinnacle Impact Series

CLAD FRENCH SWINGING PATIO DOOR

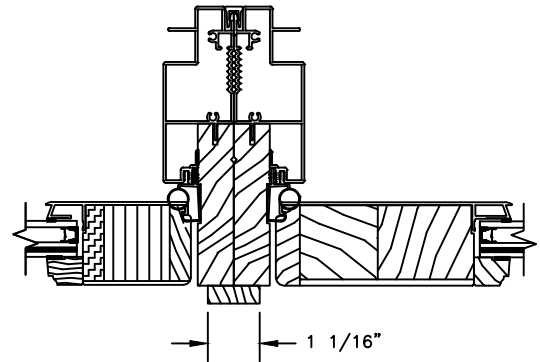
SECTION DETAILS : MULLIONS

SCALE: 3" = 1'-0"

INSWING

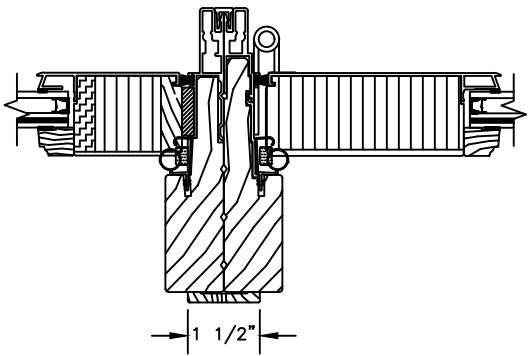


VERTICAL MULLION
SIDELITE/OPERATOR

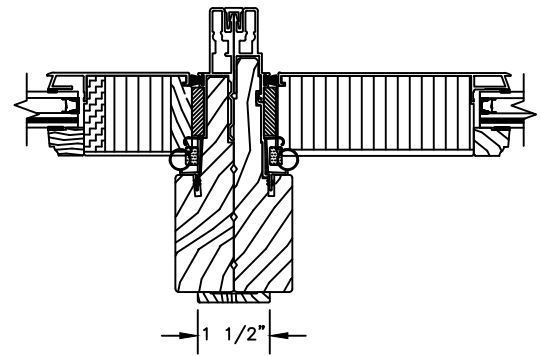


VERTICAL MULLION
SIDELITE/STATIONARY

OUTSWING



VERTICAL MULLION
SIDELITE/OPERATOR



VERTICAL MULLION
SIDELITE/STATIONARY

Pinnacle Impact Series

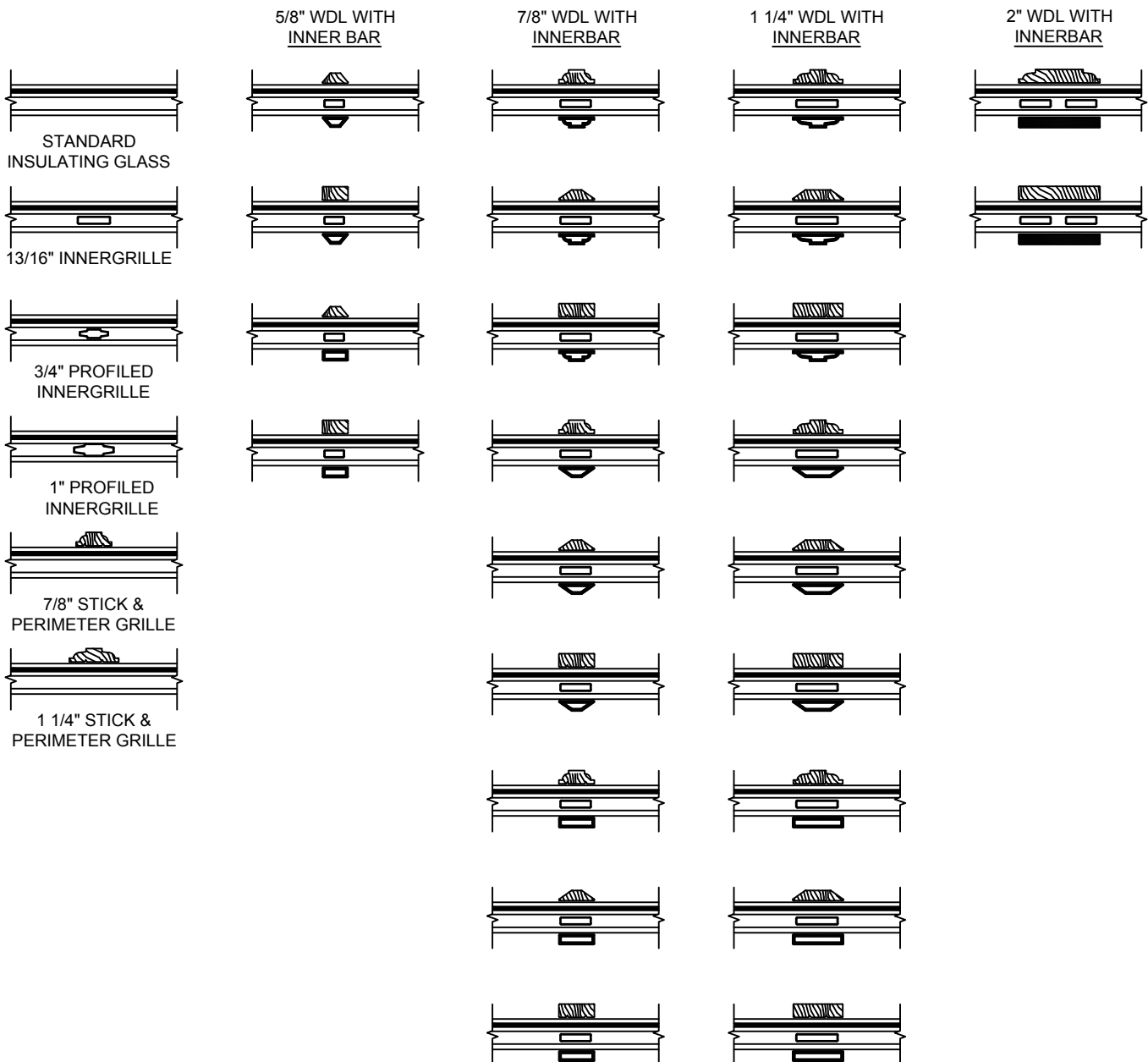
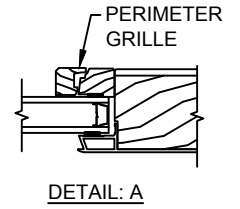
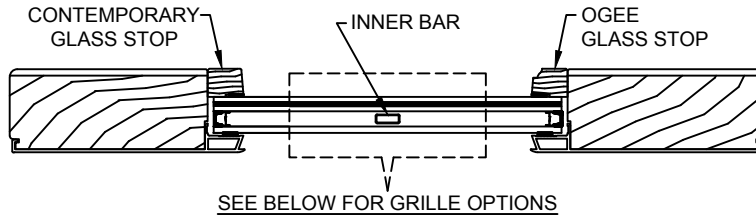
CLAD FRENCH PATIO DOOR

SECTION DETAILS : GLASS STOP & DIVIDED LITE OPTIONS

SCALE: 3" = 1'-0"

AVAILABLE STYLES

-  - PUTTY
-  - OGEE
-  - CONTEMPORARY



NOTE:

* ALL WDL OPTIONS CAN BE ORDERED WITH OR WITHOUT INNER BAR

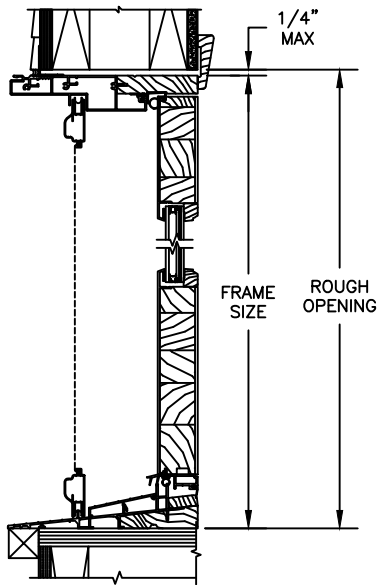
* PERIMETER GRILLES ONLY AVAILABLE IN THE 7/8" AND 1 1/4" OGEE STYLE GLASS STOP (SEE DETAIL: A)

Pinnacle Impact Series

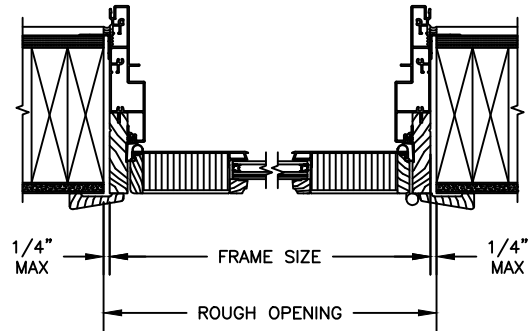
CLAD PATIO DOOR - FRENCH INSWING

SECTION DETAILS : CONSTRUCTION

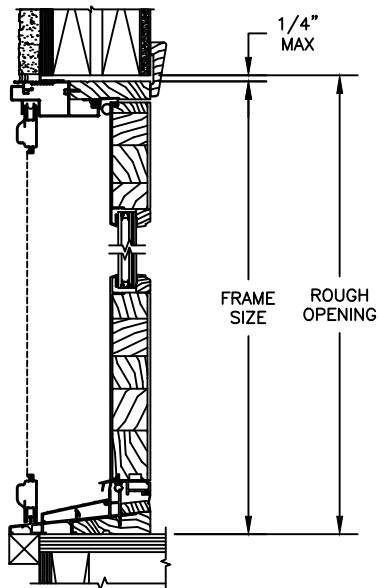
SCALE: 1 1/2" = 1'-0"



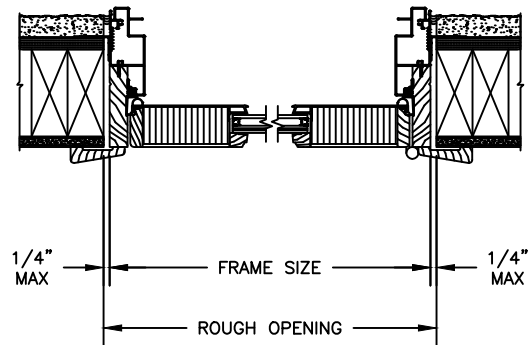
HEAD JAMB & SILL
2 X 6 FRAME WITH SIDING



JAMBS
2 X 6 FRAME WITH SIDING



HEAD JAMB & SILL
2 X 4 FRAME WITH STUCCO



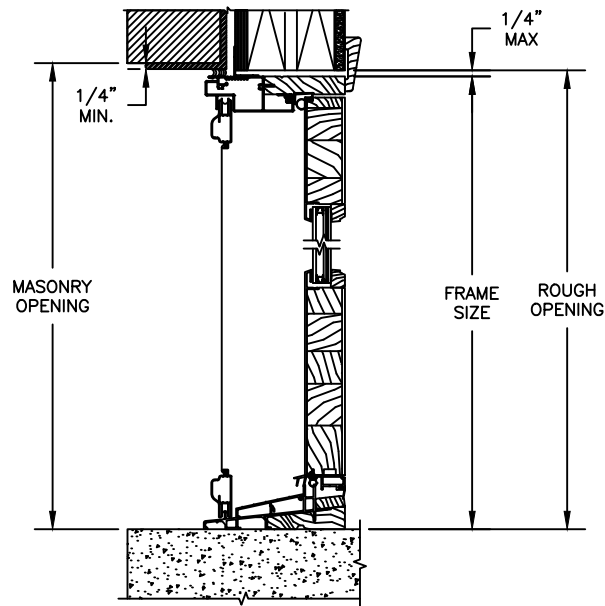
JAMBS
2 X 4 FRAME WITH STUCCO

Pinnacle Impact Series

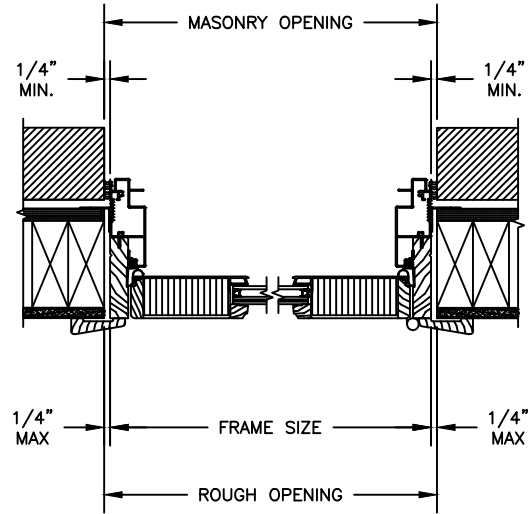
CLAD PATIO DOOR - FRENCH INSWING

SECTION DETAILS : CONSTRUCTION

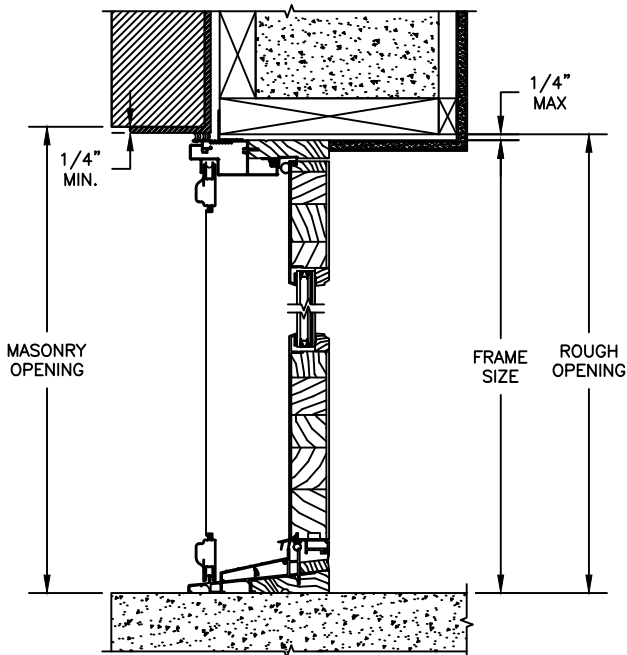
SCALE: 1 1/2" = 1'-0"



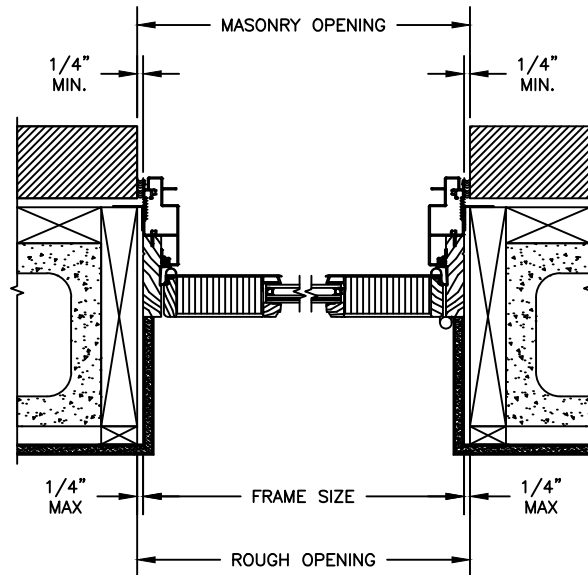
HEAD JAMB & SILL
2 X 6 FRAME WITH BRICK VENEER



JAMBS
2 X 6 FRAME WITH BRICK VENEER



HEAD JAMB & SILL
8" CONCRETE BLOCK WALL
WITH BRICK VENEER



JAMBS
8" CONCRETE BLOCK WALL
WITH BRICK VENEER