

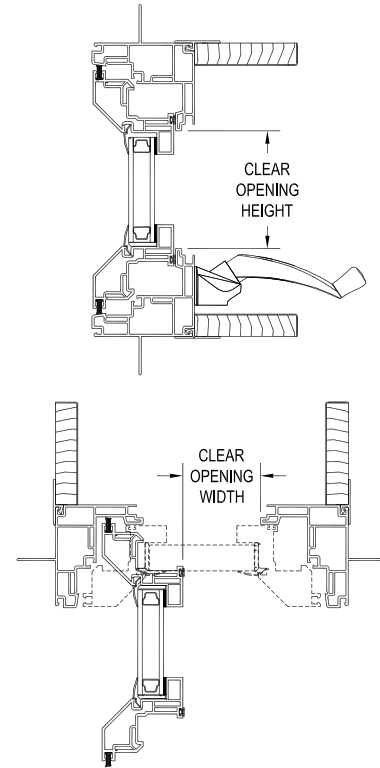
Next Dimension Signature Series

CASEMENT

EGRESS, LITE & SCREEN MEASUREMENTS

Egress, Lite and Vent Measurements											
Casement											
Size	Egress Width		Egress Height	Sq. Ft. Egress		Egress Code Compliance*			Sq. Ft. Daylight	Screen Box	
	Standard Hardware	Egress Hardware		Standard Hardware	Egress Hardware	U.S.		Canada		Width	Height
						5.0 ft ²	5.7 ft ²				
1818	7.419	10.044	12.374	0.64	0.86	-	-	-	0.84	12 11/16	12 5/8
1824	7.419	10.044	18.374	0.95	1.28	-	-	-	1.30	12 11/16	18 5/8
1830	7.419	10.044	24.374	1.26	1.70	-	-	-	1.76	12 11/16	24 5/8
1836	7.419	10.044	30.374	1.56	2.12	-	-	-	2.22	12 11/16	30 5/8
1842	7.419	10.044	36.374	1.87	2.54	-	-	-	2.67	12 11/16	36 5/8
1848	7.419	10.044	42.374	2.18	2.96	-	-	-	3.13	12 11/16	42 5/8
1854	7.419	10.044	48.374	2.49	3.37	-	-	-	3.59	12 11/16	48 5/8
1860	7.419	10.044	54.374	2.80	3.79	-	-	-	4.05	12 11/16	54 5/8
1866	7.419	10.044	60.374	3.11	4.21	-	-	-	4.51	12 11/16	60 5/8
1872	7.419	10.044	66.374	3.42	4.63	-	-	-	4.97	12 11/16	66 5/8
2418	13.419	16.044	12.374	1.15	1.38	-	-	-	1.30	18 11/16	12 5/8
2424	13.419	16.044	18.374	1.71	2.05	-	-	-	2.01	18 11/16	18 5/8
2430	13.419	16.044	24.374	2.27	2.72	-	-	-	2.72	18 11/16	24 5/8
2436	13.419	16.044	30.374	2.83	3.38	-	-	-	3.42	18 11/16	30 5/8
2442	13.419	16.044	36.374	3.39	4.05	-	-	E	4.13	18 11/16	36 5/8
2448	13.419	16.044	42.374	3.95	4.72	-	-	E	4.84	18 11/16	42 5/8
2454	13.419	16.044	48.374	4.51	5.39	-	-	E	5.55	18 11/16	48 5/8
2460	13.419	16.044	54.374	5.07	6.06	-	-	E	6.26	18 11/16	54 5/8
2466	13.419	16.044	60.374	5.63	6.73	-	-	E	6.97	18 11/16	60 5/8
2472	13.419	16.044	66.374	6.19	7.40	-	-	E	7.67	18 11/16	66 5/8
3018	19.419	22.044	12.374	1.67	1.89	-	-	-	1.76	24 11/16	12 5/8
3024	19.419	22.044	18.374	2.48	2.81	-	-	-	2.72	24 11/16	18 5/8
3030	19.419	22.044	24.374	3.29	3.73	-	-	-	3.67	24 11/16	24 5/8
3036	19.419	22.044	30.374	4.10	4.65	-	-	S	4.63	24 11/16	30 5/8
3042	19.419	22.044	36.374	4.91	5.57	E	-	S	5.59	24 11/16	36 5/8
3048	19.419	22.044	42.374	5.71	6.49	E	E	S	6.55	24 11/16	42 5/8
3054	19.419	22.044	48.374	6.52	7.41	E	E	S	7.51	24 11/16	48 5/8
3060	19.419	22.044	54.374	7.33	8.32	E	E	S	8.47	24 11/16	54 5/8
3066	19.419	22.044	60.374	8.14	9.24	E	E	S	9.42	24 11/16	60 5/8
3072	19.419	22.044	66.374	8.95	10.16	E	E	S	10.38	24 11/16	66 5/8
3142**	NA	23.044	36.374	NA	5.82	E	E	E	5.83	25 11/16	36 5/8
3618	25.419	28.044	12.374	2.18	2.41	-	-	-	2.22	30 11/16	12 5/8
3624	25.419	28.044	18.374	3.24	3.58	-	-	-	3.42	30 11/16	18 5/8
3630	25.419	28.044	24.374	4.30	4.75	-	-	S	4.63	30 11/16	24 5/8
3636	25.419	28.044	30.374	5.36	5.92	E	E	S	5.84	30 11/16	30 5/8
3642	25.419	28.044	36.374	6.42	7.08	S	S	S	7.05	30 11/16	36 5/8
3648	25.419	28.044	42.374	7.48	8.25	S	S	S	8.28	30 11/16	42 5/8
3654	25.419	28.044	48.374	8.54	9.42	S	S	S	9.47	30 11/16	48 5/8
3660	25.419	28.044	54.374	9.60	10.59	S	S	S	10.67	30 11/16	54 5/8

** Special Egress Unit



Egress Conversions

Standard Hardware	Width	R.O. -10.581"
	Height	R.O. -5.626"
Egress Hardware	Width	R.O. - 7.956"
	Height	R.O. -5.626"

* Egress Code Compliance Terminology

- E** Meets Code with Egress Hardware Only
- S** Meets Code with Standard Hardware
- Does Not Meet Code

Code Requirements	Min Width	Min Height	Min Area
U.S.	20"	24"	5.7
U.S. Grade Floor	20"	24"	5.0
Canada	15"	15"	3.77