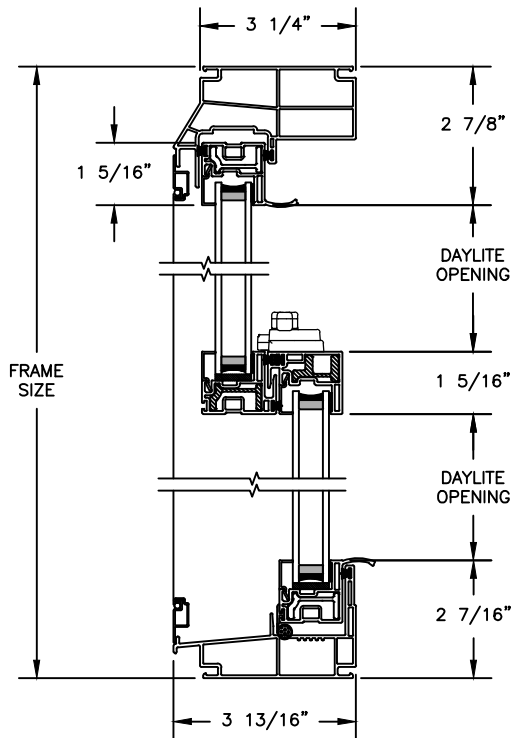


# Revive Series

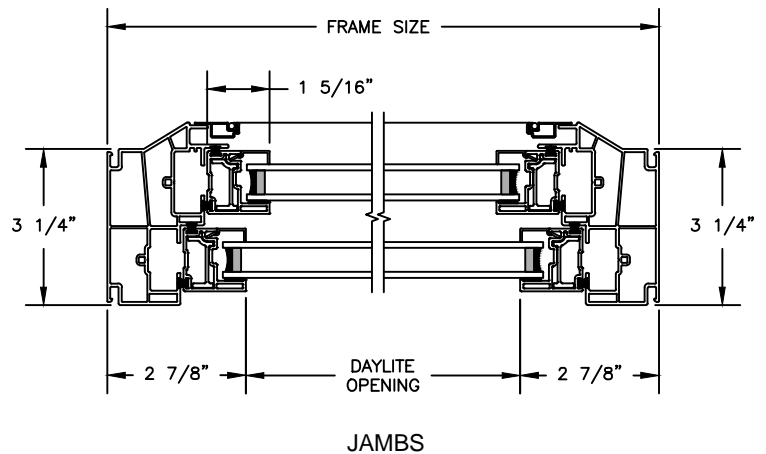
## VINYL DOUBLE HUNG

SECTION DETAILS: FRAME OPERATOR & FIXED  
 SCALE: 3" = 1'-0"

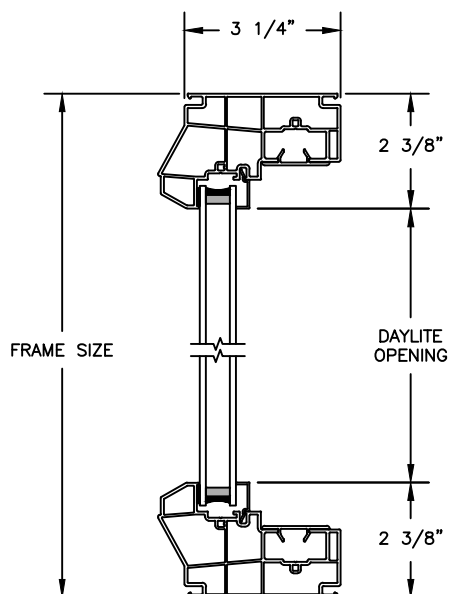


HEAD JAMB & SILL

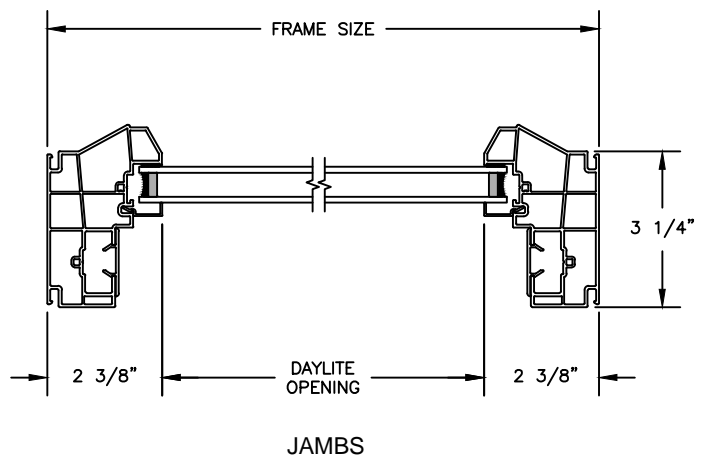
### OPERATING



### FIXED



HEAD JAMB & SILL

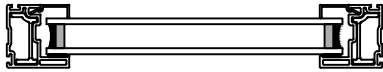


# Revive Series

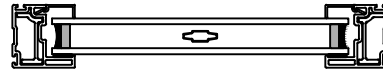
## VINYL DOUBLE HUNG

---

SECTION DETAILS : DIVIDED LITE OPTIONS  
SCALE: 3" = 1'-0"



INSULATING GLASS



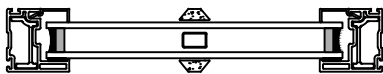
3/4" PROFILED INNERGRILLE



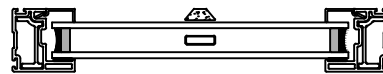
7/8" PUTTY WDL  
WITH INNERBAR



7/8" PUTTY WDL (EXTERIOR ONLY)  
WITH 13/16" FLAT INNERGRILLE



5/8" PUTTY WDL  
WITH INNERBAR

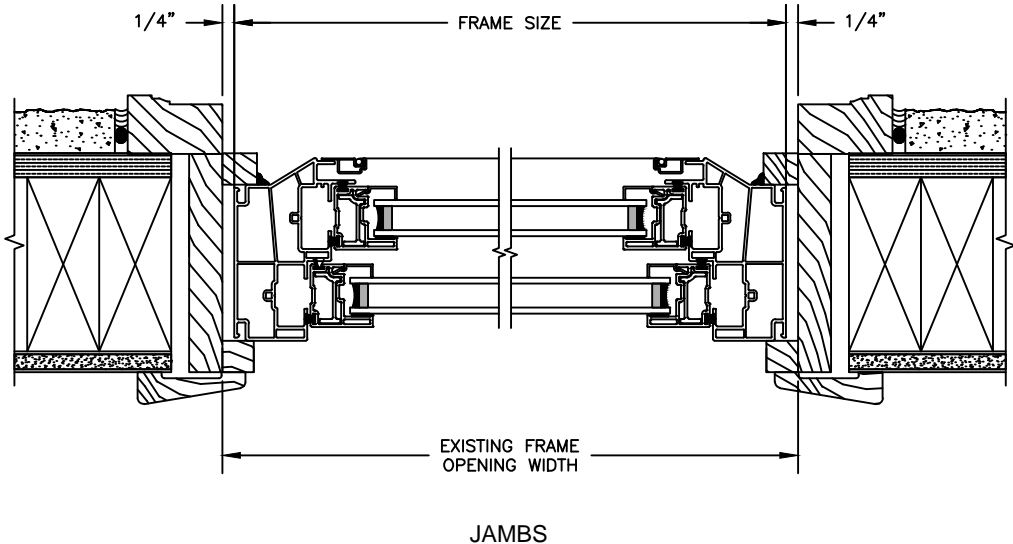
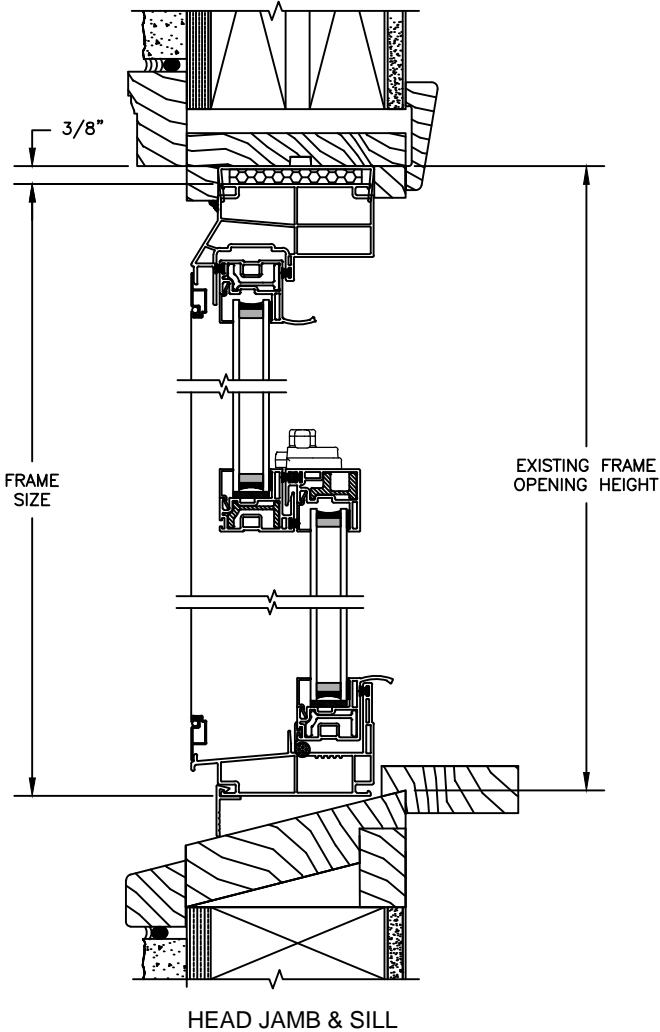


5/8" PUTTY WDL (EXTERIOR ONLY)  
WITH 5/8" FLAT INNERGRILLE

# Revive Series

## VINYL DOUBLE HUNG

SECTION DETAILS : CONSTRUCTION - OPERATOR  
SCALE: 3" = 1'-0"



# Revive Series

## VINYL DOUBLE HUNG

SECTION DETAILS : CONSTRUCTION - FIXED

SCALE: 3" = 1'-0"

