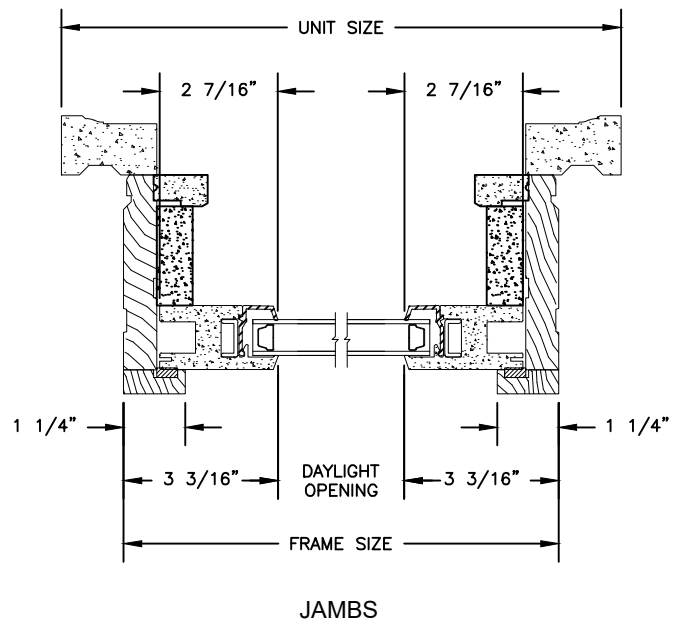
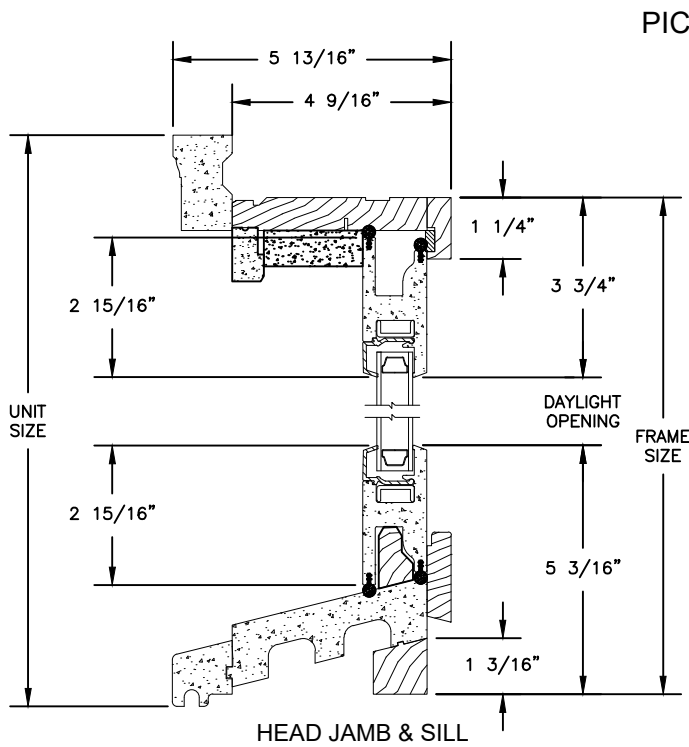
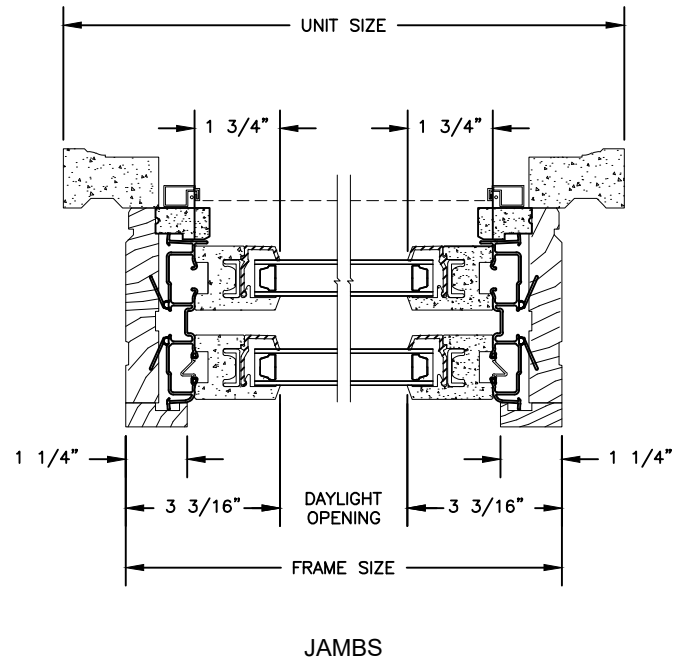
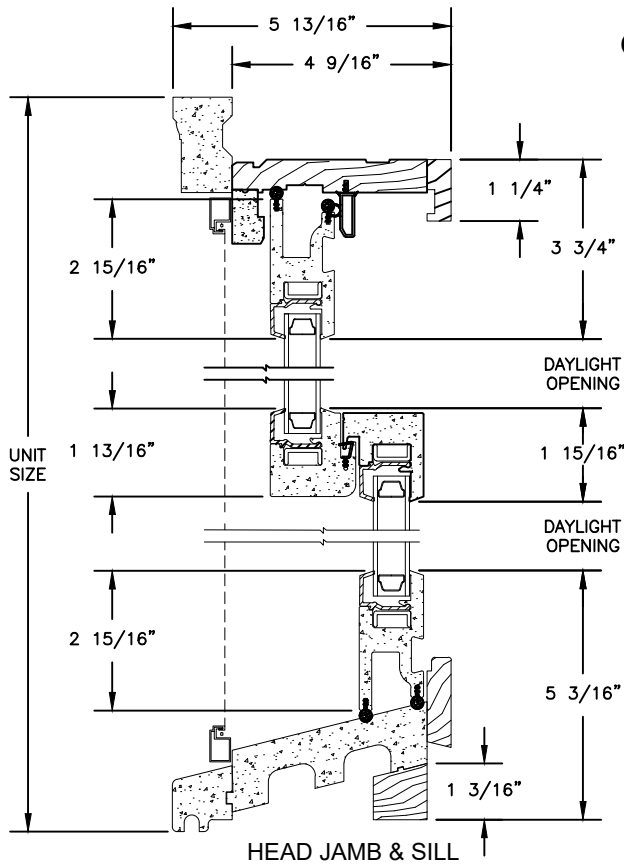


Legend Series

LEGEND DOUBLE HUNG

SECTION DETAILS

SCALE: 3" = 1'-0"

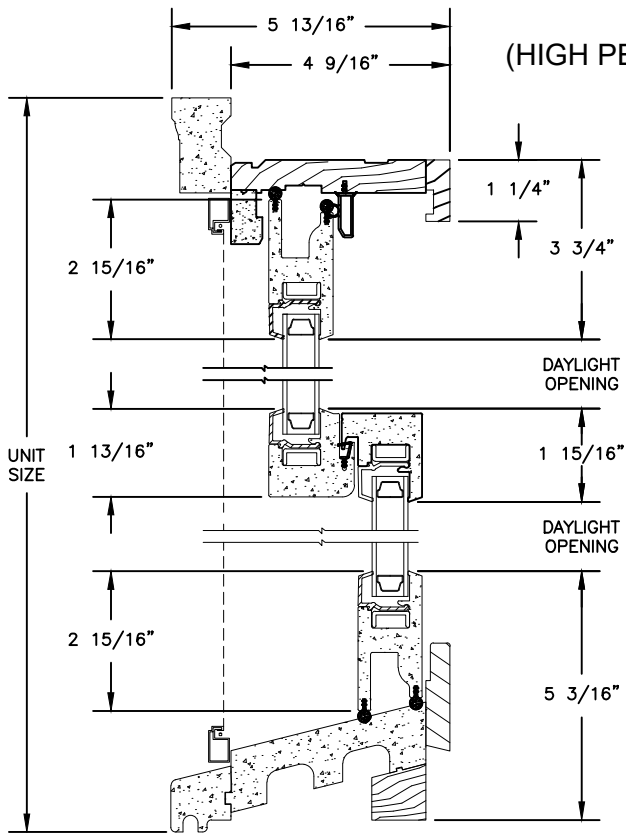


Legend Series

LEGEND DOUBLE HUNG

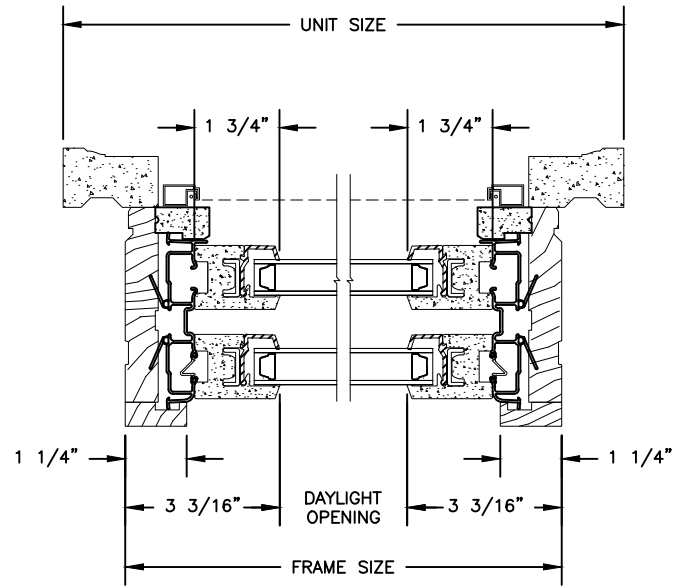
SECTION DETAILS

SCALE: 3" = 1'-0"

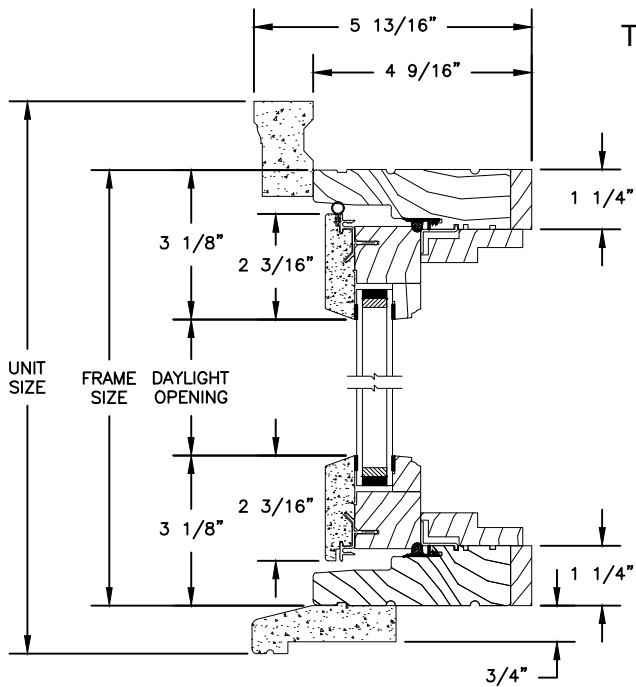


EZ TILT HEAD JAMB & SILL

OPERATING
(HIGH PERFORMANCE OPTION)

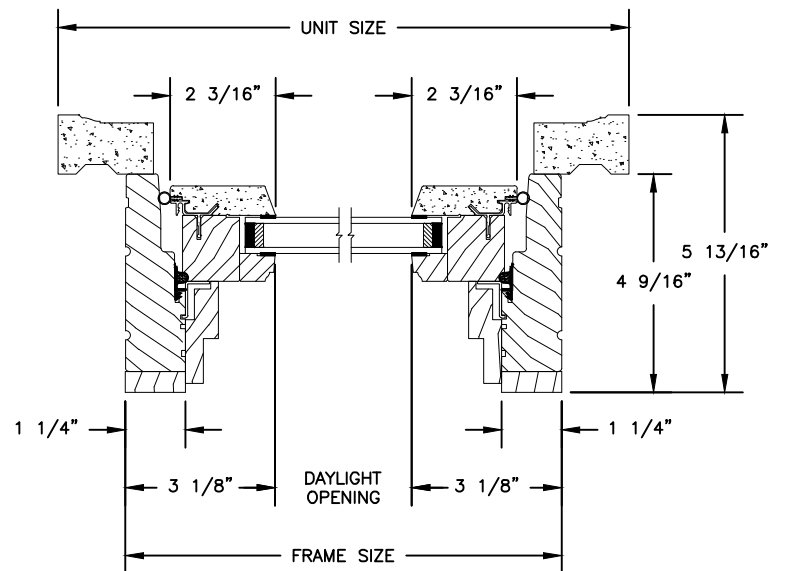


JAMBS



HEAD JAMB & SILL

TRANSOM

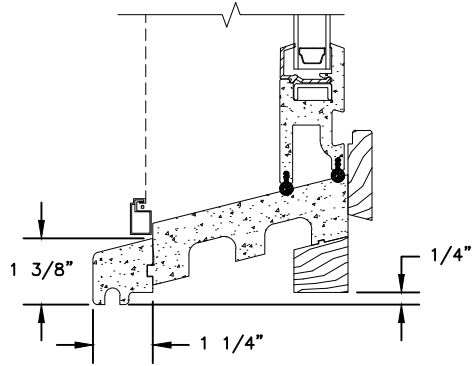


JAMBS

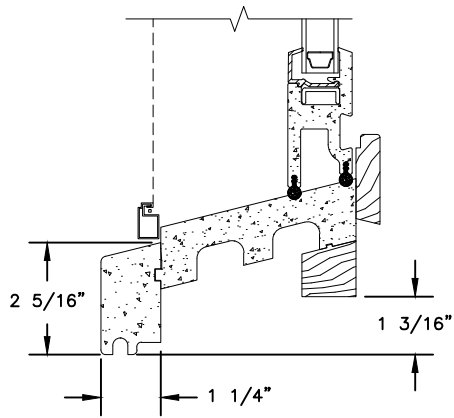
Legend Series

LEGEND DOUBLE HUNG

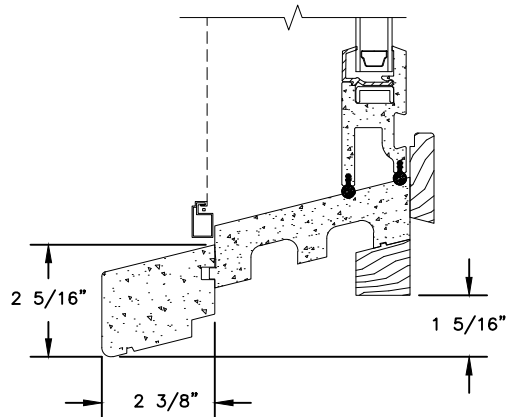
SECTION DETAILS: CASING OPTIONS
SCALE: 3" = 1'-0"



STANDARD SILLNOSE



BULLNOSE SILLNOSE



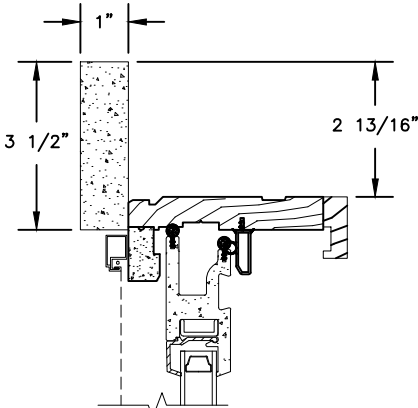
BELLY SILLNOSE

Legend Series

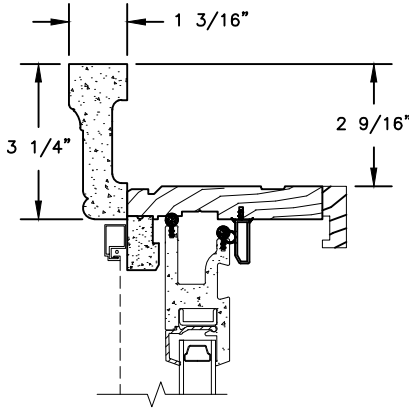
LEGEND DOUBLE HUNG

SECTION DETAILS: CASING OPTIONS

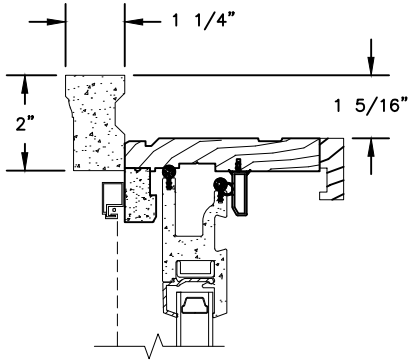
SCALE: 3" = 1'-0"



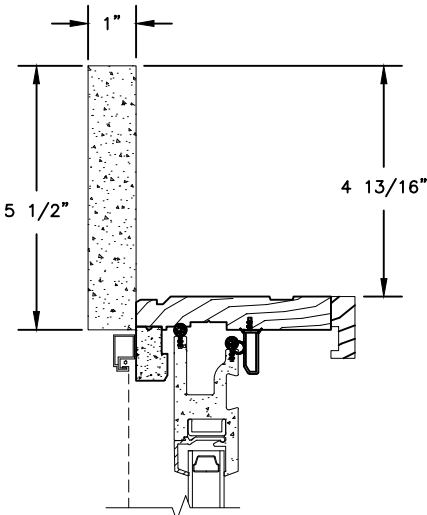
HEAD JAMB WITH
3 1/2" FLAT CASING



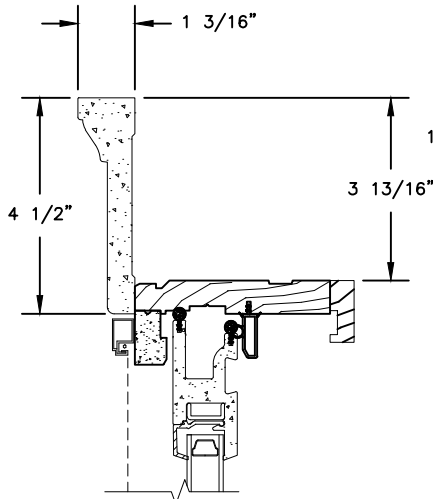
HEAD JAMB WITH
WILLIAMSBURG BRICKMOULD



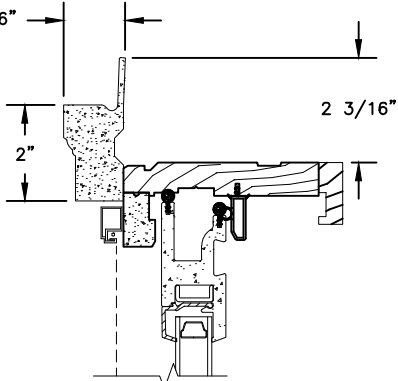
HEAD JAMB WITH
STANDARD 180 BRICKMOULD



HEAD JAMB WITH
5 1/2" FLAT CASING



HEAD JAMB WITH
4 1/2" BACKBAND

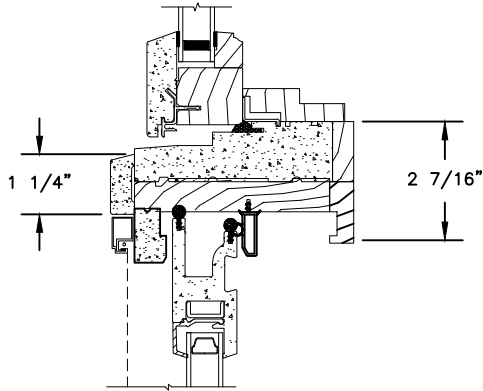


HEAD JAMB WITH
180 FLANGED BRICKMOULD

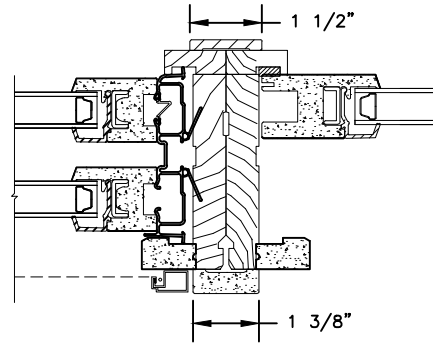
Legend Series

LEGEND DOUBLE HUNG

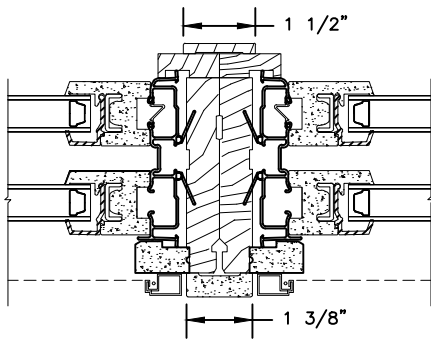
SECTION DETAILS : MULLIONS
 SCALE: 3" = 1'-0"



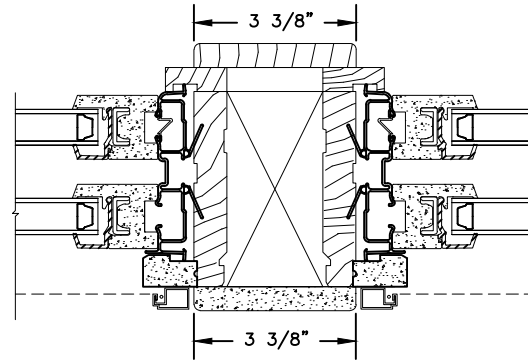
HORIZONTAL MULLION
 TRANSOM/OPERATOR



VERTICAL MULLION
 OPERATOR/PICTURE



VERTICAL MULLION
 OPERATOR/OPERATOR





VERTICAL MULLION WITH
 2" SPREAD MULL
 ADDITIONAL WIDTHS INCLUDE:
 1" - 5"

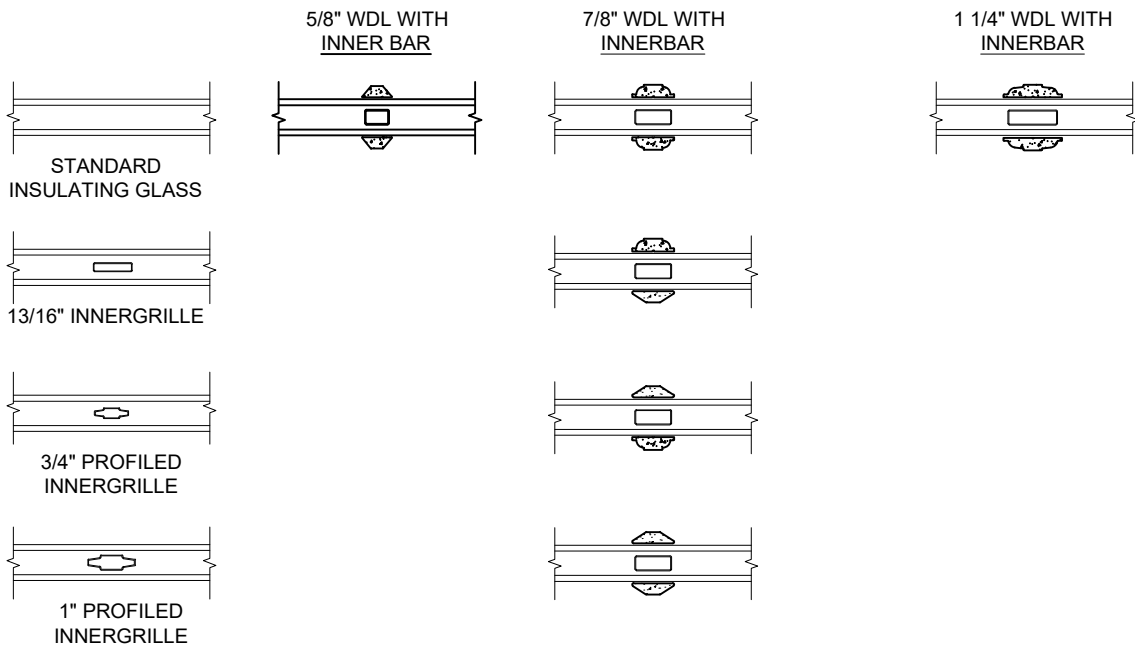
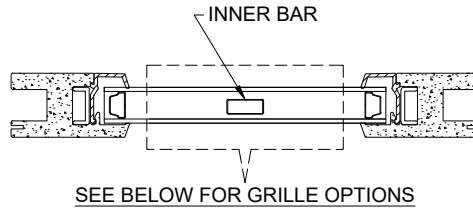
Legend Series

LEGEND DOUBLE HUNG

SECTION DETAILS : DIVIDED LITE OPTIONS
 SCALE: 3" = 1'-0"

AVAILABLE STYLES

-  - PUTTY
-  - OGEE



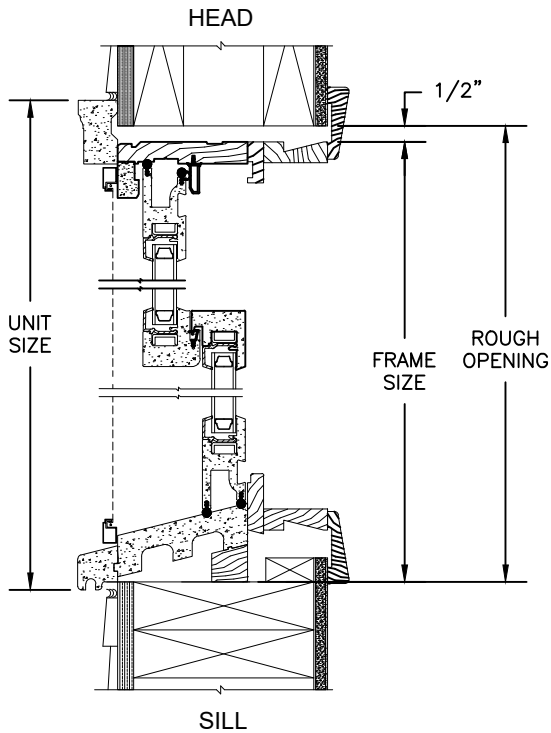
NOTE:
 * ALL WDL OPTIONS CAN BE ORDERED WITH OR WITHOUT INNER BAR

Legend Series

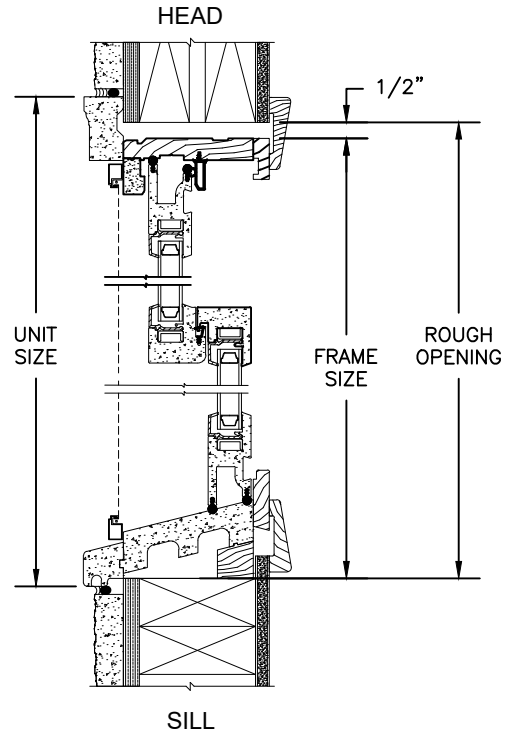
LEGEND DOUBLE HUNG

SECTION DETAILS : CONSTRUCTION

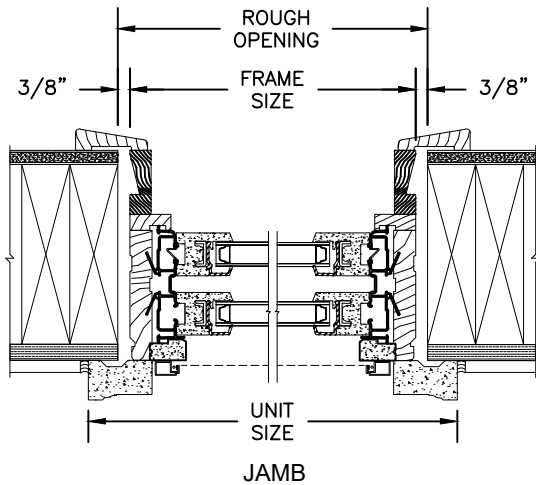
SCALE: 2" = 1'-0"



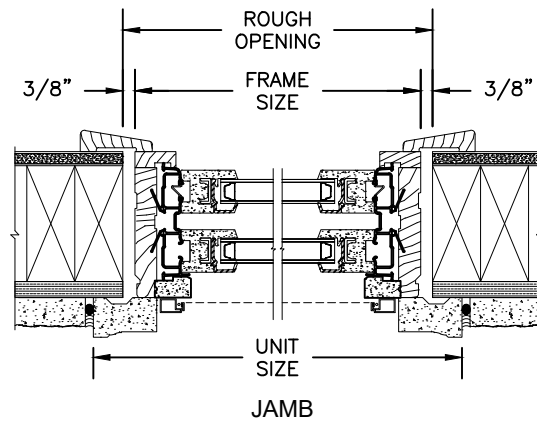
2 X 6 FRAME WITH SIDING



2 X 4 FRAME WITH STUCCO



2 X 6 FRAME WITH SIDING



2 X 4 FRAME WITH STUCCO

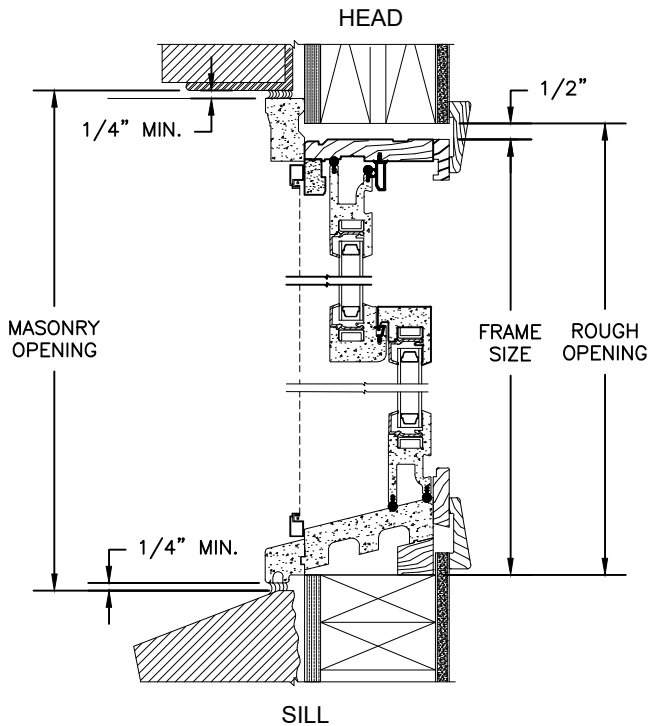
NOTE :

THE ABOVE WALL SECTIONS REPRESENT TYPICAL WALL CONDITIONS, THESE DETAILS ARE NOT INTENDED AS INSTALLATION INSTRUCTIONS. PLEASE REFER TO THE INSTALLATION INSTRUCTIONS PROVIDED WITH THE PURCHASED UNITS.

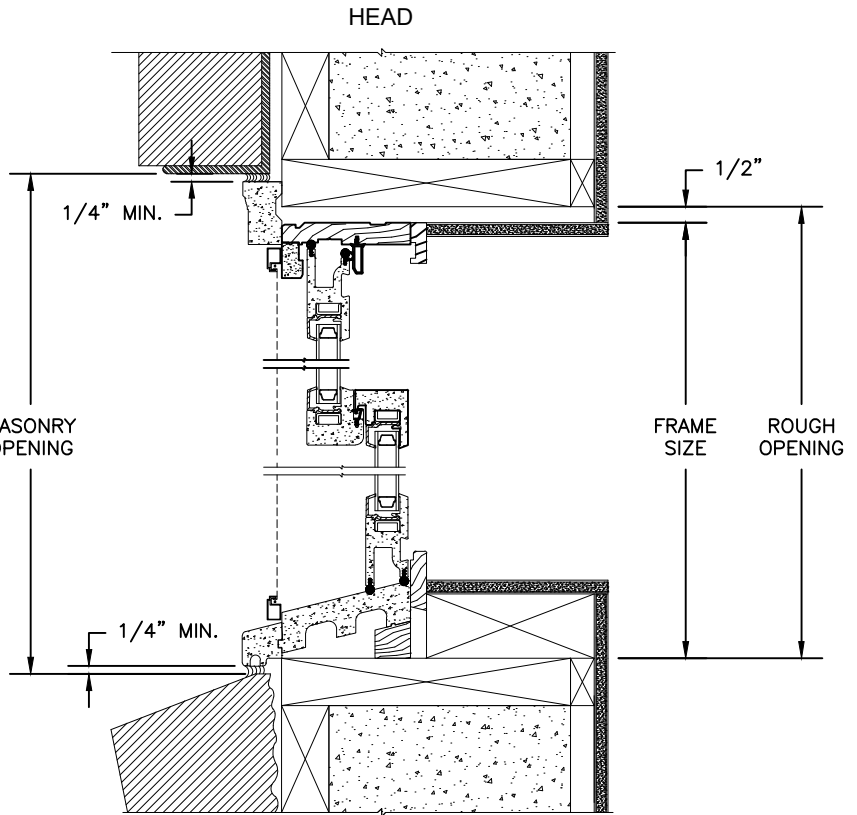
Legend Series

LEGEND DOUBLE HUNG

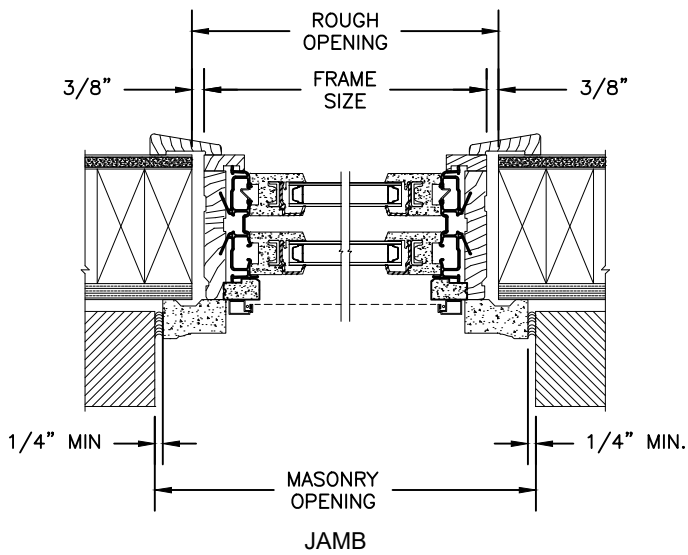
SECTION DETAILS : CONSTRUCTION
SCALE: 2" = 1'-0"



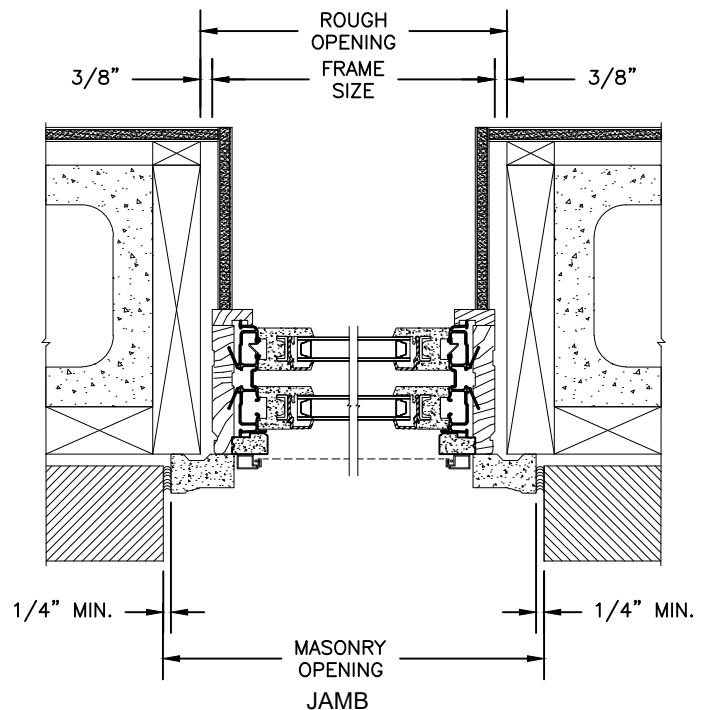
2 X 4 FRAME WITH BRICK VENEER



8" CONCRETE BLOCK WALL WITH BRICK VENEER



2 X 4 FRAME WITH BRICK VENEER



8" CONCRETE BLOCK WALL WITH BRICK VENEER

NOTE :

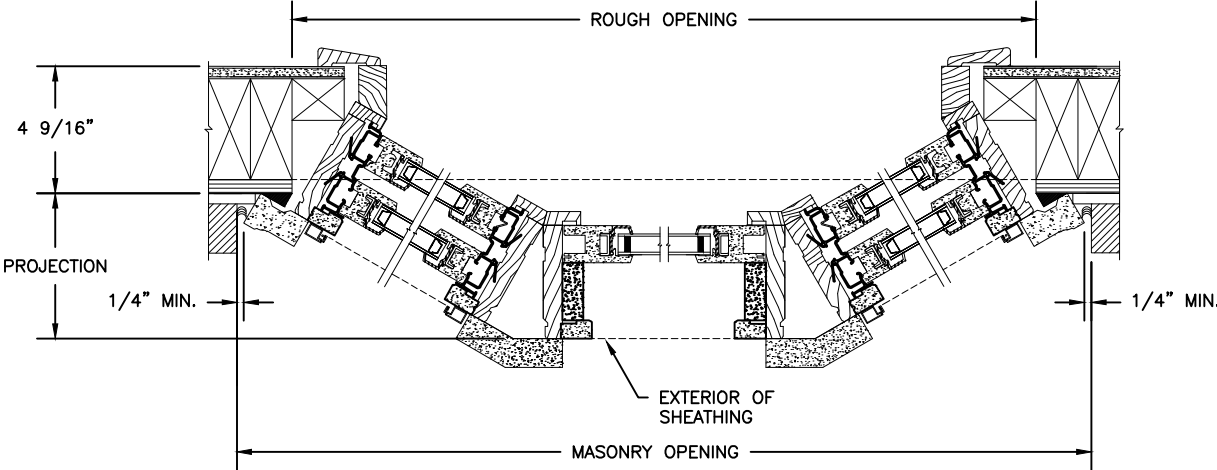
THE ABOVE WALL SECTIONS REPRESENT TYPICAL WALL CONDITIONS, THESE DETAILS ARE NOT INTENDED AS INSTALLATION INSTRUCTIONS. PLEASE REFER TO THE INSTALLATION INSTRUCTIONS PROVIDED WITH THE PURCHASED UNITS.

Legend Series

LEGEND DOUBLE HUNG

SECTION DETAILS : 30 / 45 DEGREE BAY
NOT TO SCALE

30 DEGREE BAY



45 DEGREE BAY

