

Pinnacle Series

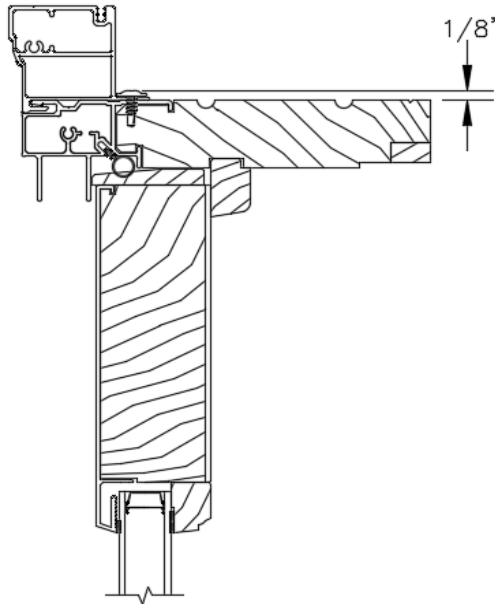
CLAD PATIO DOOR - NARROW SLIDER

MEASUREMENT CONVERSIONS

STANDARD (NO CASING)													
Size Referenced	Daylite Opening		Glass Size		Frame Size		Rough Opening		Unit Size		Masonry Opening		
Daylite Opening	Dimension Needed												
			Width	+ 1 1/4	Width	x2 + 11 1/2	Width	x2 + 12 1/4	Width	x2 + 11 1/2	Width	x2 + 12 1/4	
			Height	+ 1 1/4	Height	+ 9	Height	+ 9 1/2	Height	+ 9	Height	+ 9 1/2	
Glass Size	Width	-1 1/4			Width	x2 + 9	Width	x2 + 9 3/4	Width	x2 + 9	Width	x2 + 9 3/4	
	Height	-1 1/4			Height	+ 7 3/4	Height	+ 8 1/4	Height	+ 7 3/4	Height	+ 8 1/4	
Frame Size	Dimension Given	Width	(-11 1/2) /2	Width	(-9) /2			Width	+ 3/4	Width	+ 0	Width	+ 3/4
		Height	-9	Height	- 7 3/4			Height	+ 1/2	Height	+ 0	Height	+ 1/2
Rough Opening	Dimension Given	Width	(-12 1/4) /2	Width	(-9 3/4) /2	Width	- 3/4			Width	- 3/4	Width	+ 0
		Height	-9 1/2	Height	- 8 1/4	Height	- 1/2			Height	- 1/2	Height	+ 0
Unit Size	Dimension Given	Width	(-11 1/2) /2	Width	(-9) /2	Width	+ 0	Width	+ 3/4			Width	+ 3/4
		Height	-9	Height	- 7 3/4	Height	+ 0	Height	+ 1/2			Height	+ 1/2
Masonry Opening	Dimension Given	Width	(-12 1/4) /2	Width	(-9 3/4) /2	Width	- 3/4	Width	+ 0	Width	- 3/4		
		Height	-9 1/2	Height	- 8 1/4	Height	- 1/2	Height	+ 0	Height	- 1/2		

FRAME TO UNIT ADDERS

WM180 Brickmould	+ 2 13/16	Width
	+ 1 13/32	Height
Williamsburg Casing	+ 6 1/2	Width
	+ 3 1/4	Height
3 1/2" Flat Casing	+ 5 7/8	Width
	+ 2 15/16	Height



NOTE: RIGID NAIL FIN AND ALL CASING OPTIONS ARE APPLIED WITH SCREWS THAT SLIGHTLY PROTRUDE IN TO ROUGH OPENING BY $\frac{1}{8}$ ". THESE SCREWS ARE NOT INCLUDED IN ROUGH OPENING CALCULATIONS.

NOTE: ADD $\frac{3}{4}$ " TO UNIT WIDTH AND $\frac{1}{2}$ " TO UNIT HEIGHT TO CALCULATE MASONRY OPENING.