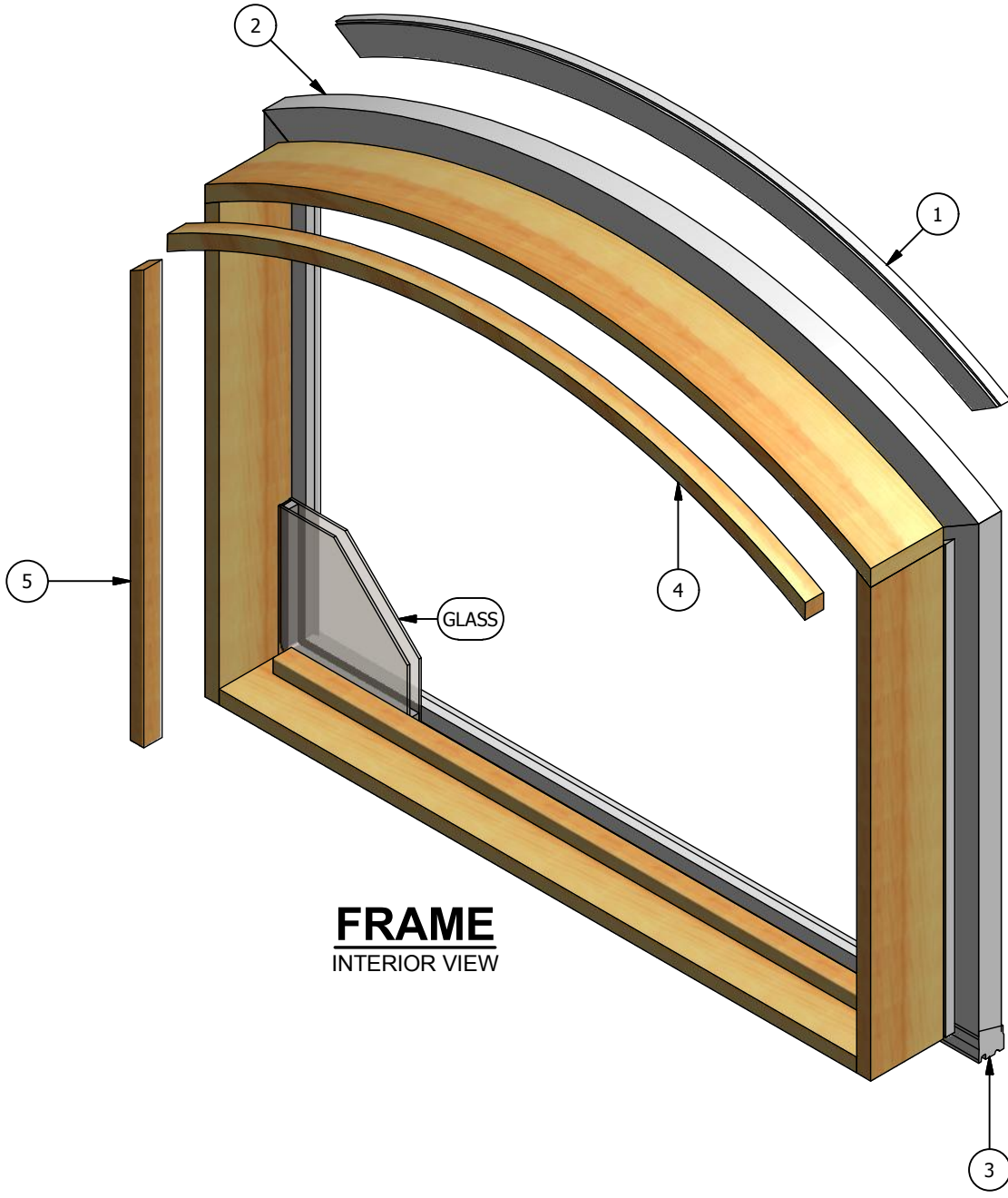


Pinnacle Series

Primed Radius

Parts Identification



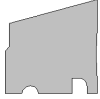


FRAME
INTERIOR VIEW



Pinnacle Series

Primed Radius

Parts Identification

Image	Item #	Description	Color / Finish / Size	Spec	Old	New SAP
	1	Sill Outside Stop	12' Lineal Length		2390018	10055170
	2	Exterior Casing (Head & Sides) (See Accessory section for other options)	14' Lineal Length		2390003	10053119
	3	Sill Nose	12' Lineal Length		2380021	10053214
	4	Radius Inside Stop Glass Stop Tape	Black - 150' Roll		* See Note Below 390531	* See Note 10055523
	5	Inside Stop	16' Pine Lineal		2370474	10017310
		Contemporary Inside Stop (Sill & Sides)	Radius 14' Pine Lineal Alder Lineal Fir Lineal		*See Note 773986 773986-A 773986-F	10042379 10120252 10057831

*Not shown in assembly model

* When ordering replacement parts for radius units, include the following information:
 Frame base measured from base outside of frame to outside of frame
 Frame height measured from outside of base to top of hights point of radius at head
 If the unit has vertical legs, measure from base to top of leg where radius starts